



US00D880687S

(12) **United States Design Patent** (10) **Patent No.:** **US D880,687 S**
Collazo et al. (45) **Date of Patent:** **** Apr. 7, 2020**

- (54) **RESPIRATORY MASK**
- (71) Applicant: **InnoMed Healthscience, Inc.**, Coconut Creek, FL (US)
- (72) Inventors: **Louis Javier Collazo**, Pompano Beach, FL (US); **Christopher Agami**, Coral Springs, FL (US); **Bruce M. Sher**, North Palm Beach, FL (US); **Shara A. Hernandez**, Davie, FL (US)
- (73) Assignee: **InnoMed Healthscience, Inc.**, Coconut Creek, FL (US)
- (**) Term: **15 Years**
- (21) Appl. No.: **29/709,476**
- (22) Filed: **Oct. 15, 2019**

Related U.S. Application Data

- (62) Division of application No. 29/626,251, filed on Nov. 15, 2017, now Pat. No. Des. 868,237.
- (51) **LOC (12) Cl.** **29-02**
- (52) **U.S. Cl.**
USPC **D24/110.1**
- (58) **Field of Classification Search**
USPC D24/110.1, 110.4–110.5, 106, 112, 135, D24/127
CPC A61M 16/0666; A61M 16/0683; A61M 16/06; A61M 2210/0618; A61M 16/0672; A61M 16/0622; A62B 23/06
See application file for complete search history.

(56) **References Cited**

U.S. PATENT DOCUMENTS

- 4,327,719 A * 5/1982 Childers A62B 23/06 128/203.22
- 5,425,359 A * 6/1995 Liou A62B 23/06 128/206.11

- D486,227 S 2/2004 Fu et al.
- D550,352 S 9/2007 Chandran et al.
- D550,836 S 9/2007 Chandran et al.
- D564,089 S 3/2008 Chandran et al.
- D568,985 S 5/2008 Chandran et al.
- D583,047 S 12/2008 Chandran et al.
- D583,049 S 12/2008 Chandran et al.
- D589,139 S 3/2009 Guney et al.
- D612,933 S 3/2010 Prentice et al.

(Continued)

OTHER PUBLICATIONS

Canadian Office Action dated Feb. 18, 2019, in connection with corresponding CA Application No. 181349 (2 pgs.).

(Continued)

Primary Examiner — Lilyana Bekic

(74) *Attorney, Agent, or Firm* — Maier & Maier, PLLC

(57) **CLAIM**

The ornamental design for a respiratory mask, as shown and described.

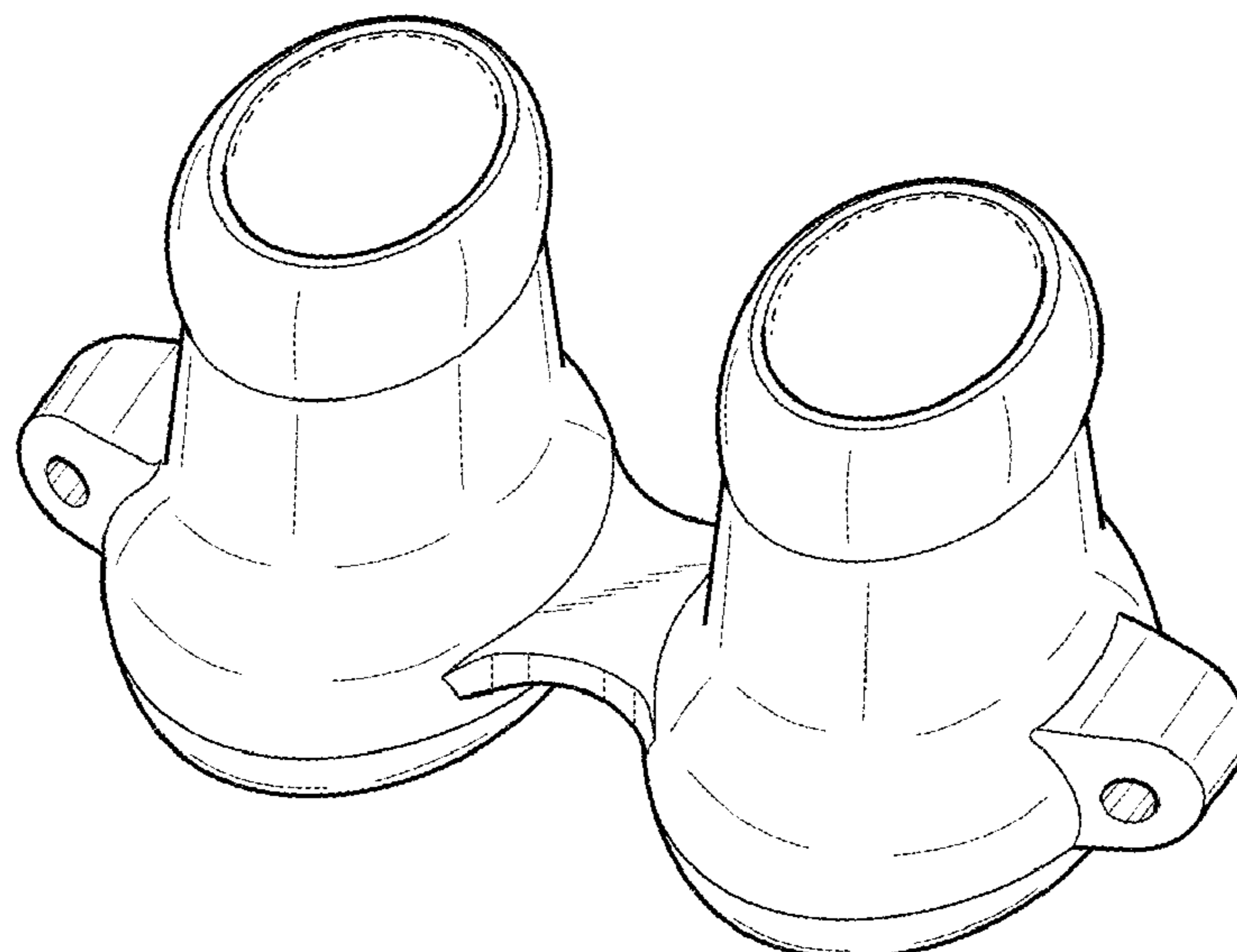
DESCRIPTION

FIG. 1 is a top perspective view of a respiratory mask; FIG. 2 is a bottom perspective view thereof; FIG. 3 is a top plan view thereof; FIG. 4 is a bottom plan view thereof; FIG. 5 is a front elevation view thereof; FIG. 6 is a rear elevation view thereof; FIG. 7 is a left side elevation view thereof; and, FIG. 8 is a right side elevation view thereof.

The broken line showing of portions of the respiratory mask form no part of the claimed design.

The dot-dash-dot broken lines define the bounds of the claim and form no part thereof. The boundary lines appear on interior surfaces of the respiratory mask, where visible, and immediately adjacent to claimed edges, representing that the interior surface forms no part of the claimed design.

1 Claim, 4 Drawing Sheets



(56)

References Cited

U.S. PATENT DOCUMENTS

D645,557 S 9/2011 Scheiner et al.
 D674,480 S 1/2013 Prentice et al.
 D770,608 S 11/2016 Allum et al.
 D852,948 S * 7/2019 Collazo D24/110.1
 10,368,758 B2 * 8/2019 Melker A61B 5/6819
 10,376,667 B2 * 8/2019 Peets A61M 16/0672
 10,384,028 B2 * 8/2019 Allum A61M 16/0605
 D859,639 S * 9/2019 Collazo D24/110.1
 D859,640 S * 9/2019 Collazo D24/110.1
 D859,641 S * 9/2019 Collazo D24/110.1
 D863,535 S * 10/2019 Collazo D24/110.1
 D863,536 S * 10/2019 Collazo D24/110.1
 D863,537 S * 10/2019 Collazo D24/110.1
 D863,538 S * 10/2019 Collazo D24/110.1
 D863,539 S * 10/2019 Collazo D24/110.1
 D863,540 S * 10/2019 Collazo D24/110.1
 D863,541 S * 10/2019 Collazo D24/110.1
 D863,542 S * 10/2019 Collazo D24/110.1
 D864,377 S * 10/2019 Collazo D24/110.1
 D868,237 S * 11/2019 Collazo D24/110.1
 D868,238 S * 11/2019 Collazo D24/110.1

D868,239 S * 11/2019 Collazo D24/110.1
 D868,240 S * 11/2019 Collazo D24/110.1
 2006/0124131 A1 6/2006 Chandran et al.
 2008/0276938 A1 11/2008 Jeppesen et al.
 2009/0095303 A1 4/2009 Sher et al.
 2009/0272386 A1 11/2009 Kurtz
 2014/0083419 A1 3/2014 Collazo et al.
 2014/0360499 A1 12/2014 Peets
 2015/0075530 A1 3/2015 Collazo et al.
 2015/0250973 A1 9/2015 Allum et al.
 2017/0216634 A1 8/2017 Wan
 2017/0368285 A1 12/2017 Wood
 2018/0008155 A1 1/2018 Melker et al.
 2018/0015247 A1 * 1/2018 Marsh A61M 16/0616
 2019/0070441 A1 * 3/2019 Archouniani A62B 23/06

OTHER PUBLICATIONS

European Examination Report dated May 24, 2018 of corresponding European Community Design Registration Nos. 005267549-0001/005267549-0004; 4 pgs.

* cited by examiner

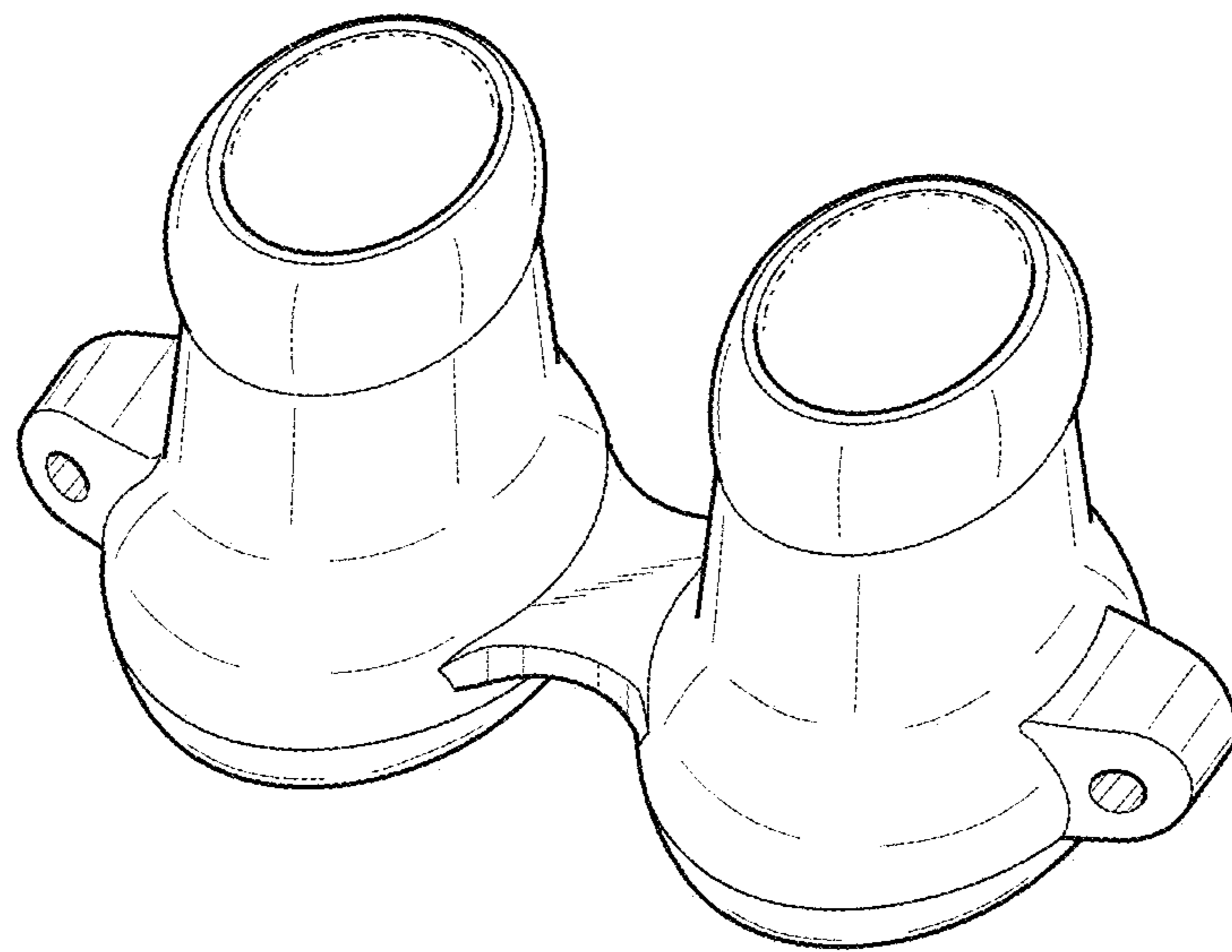


Fig. 1

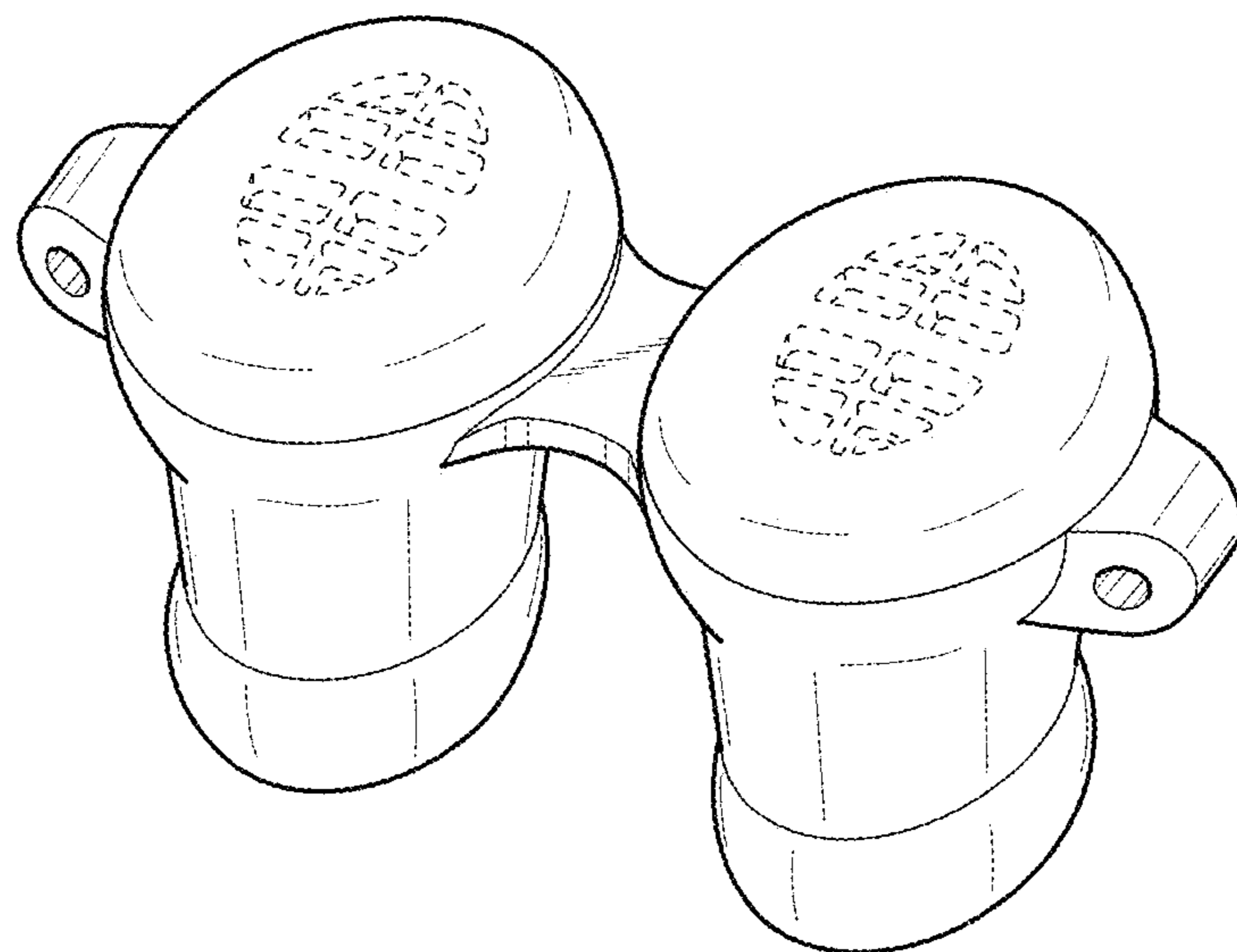


Fig. 2

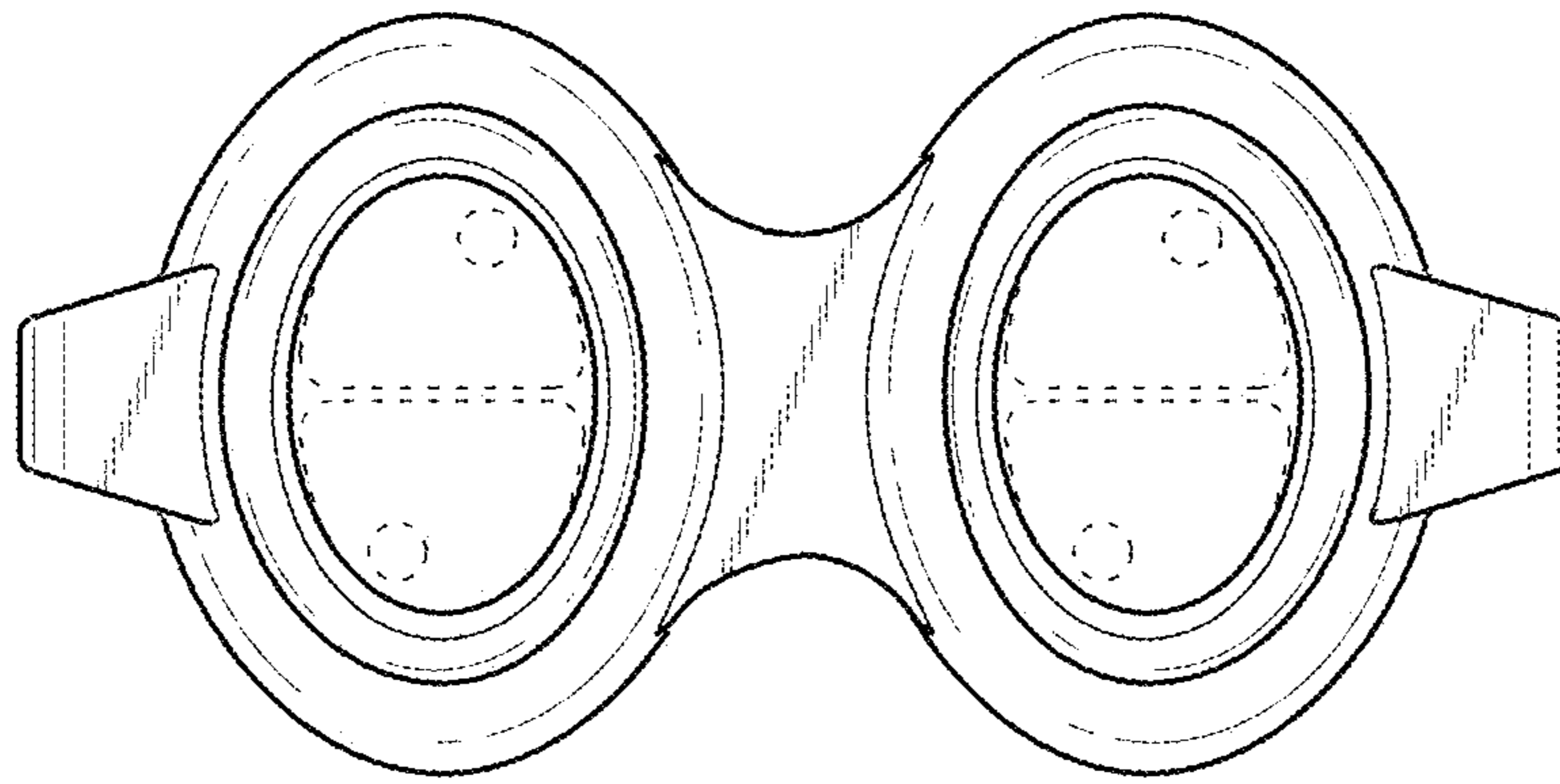


Fig. 3

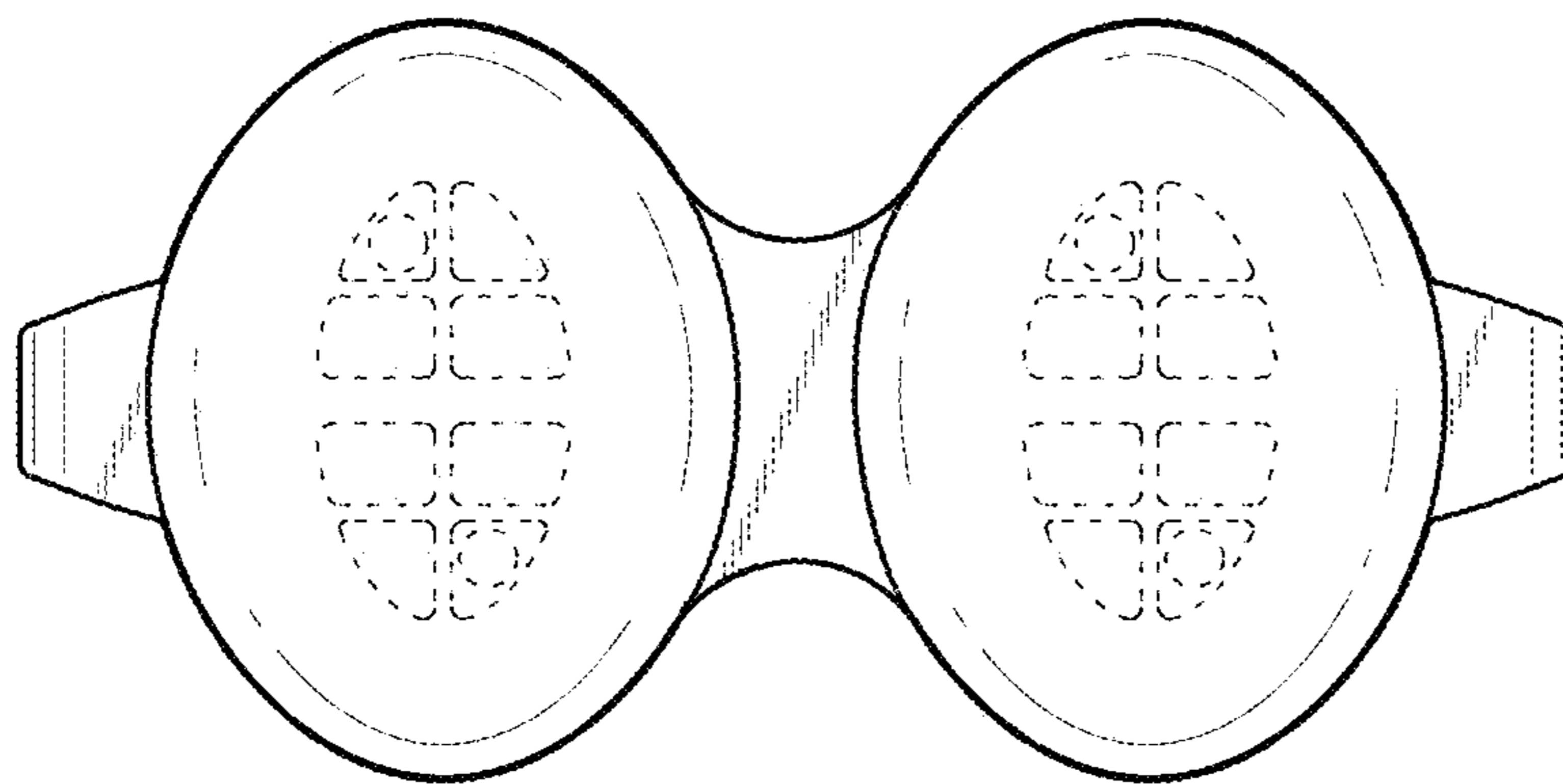


Fig. 4

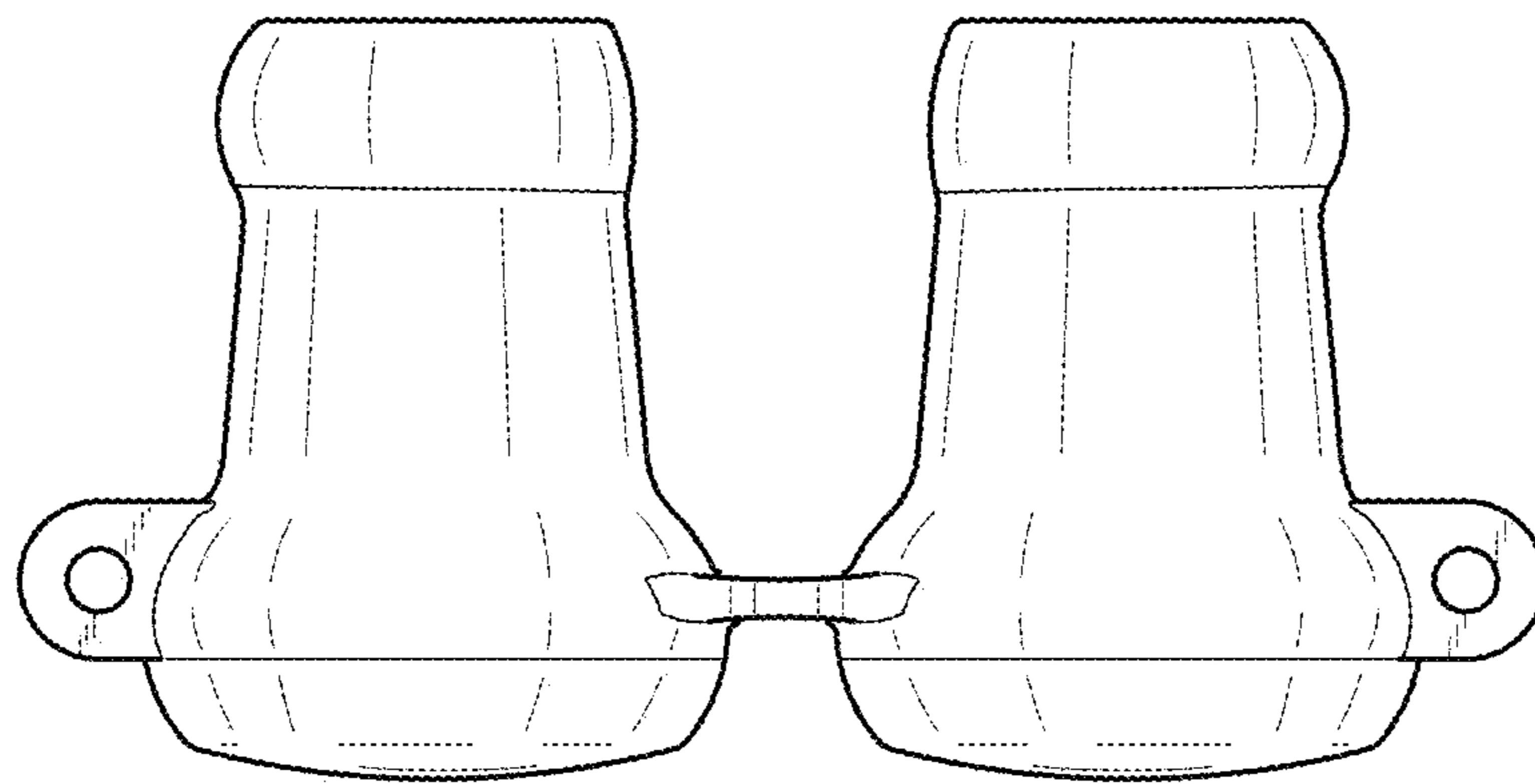


Fig. 5

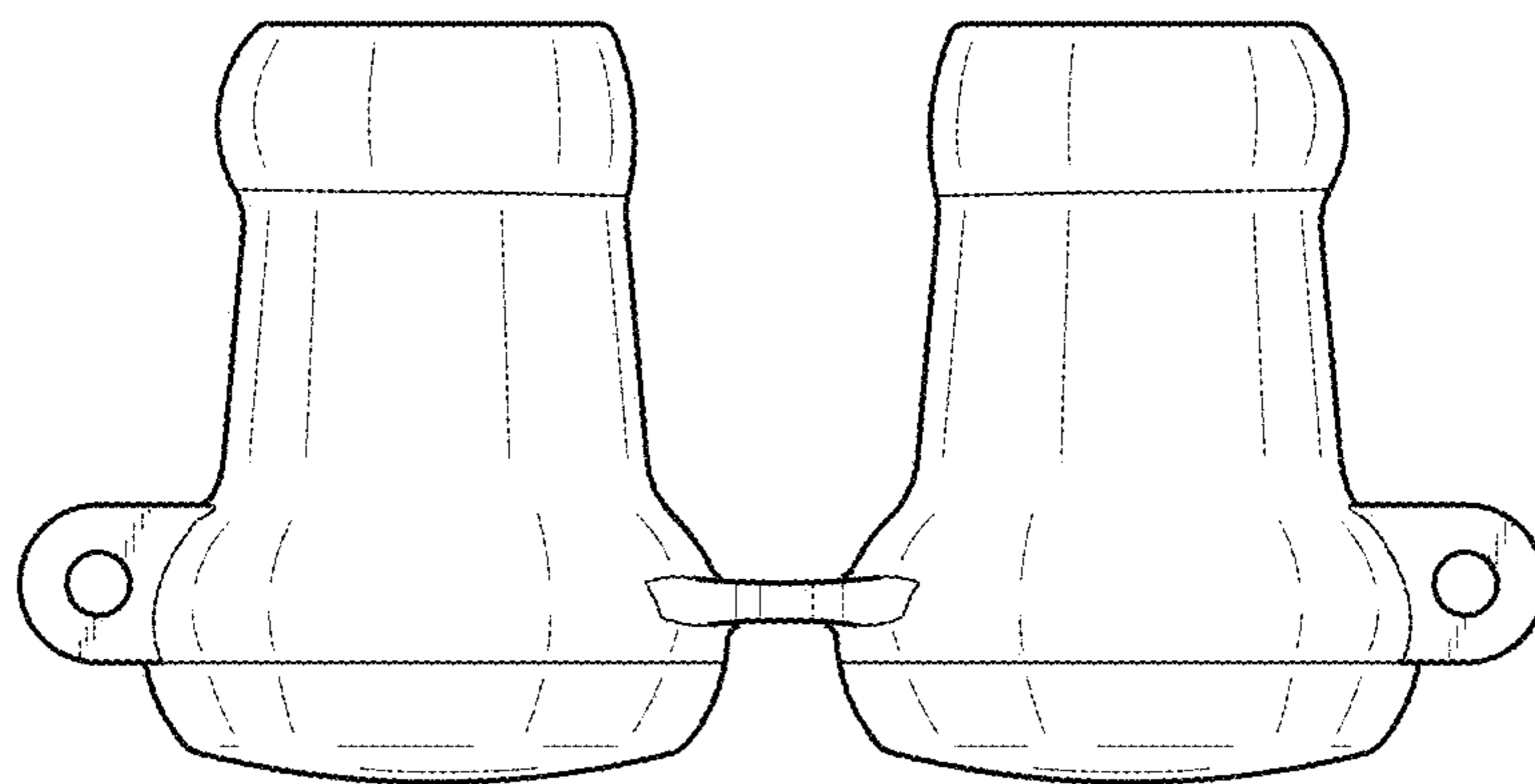


Fig. 6

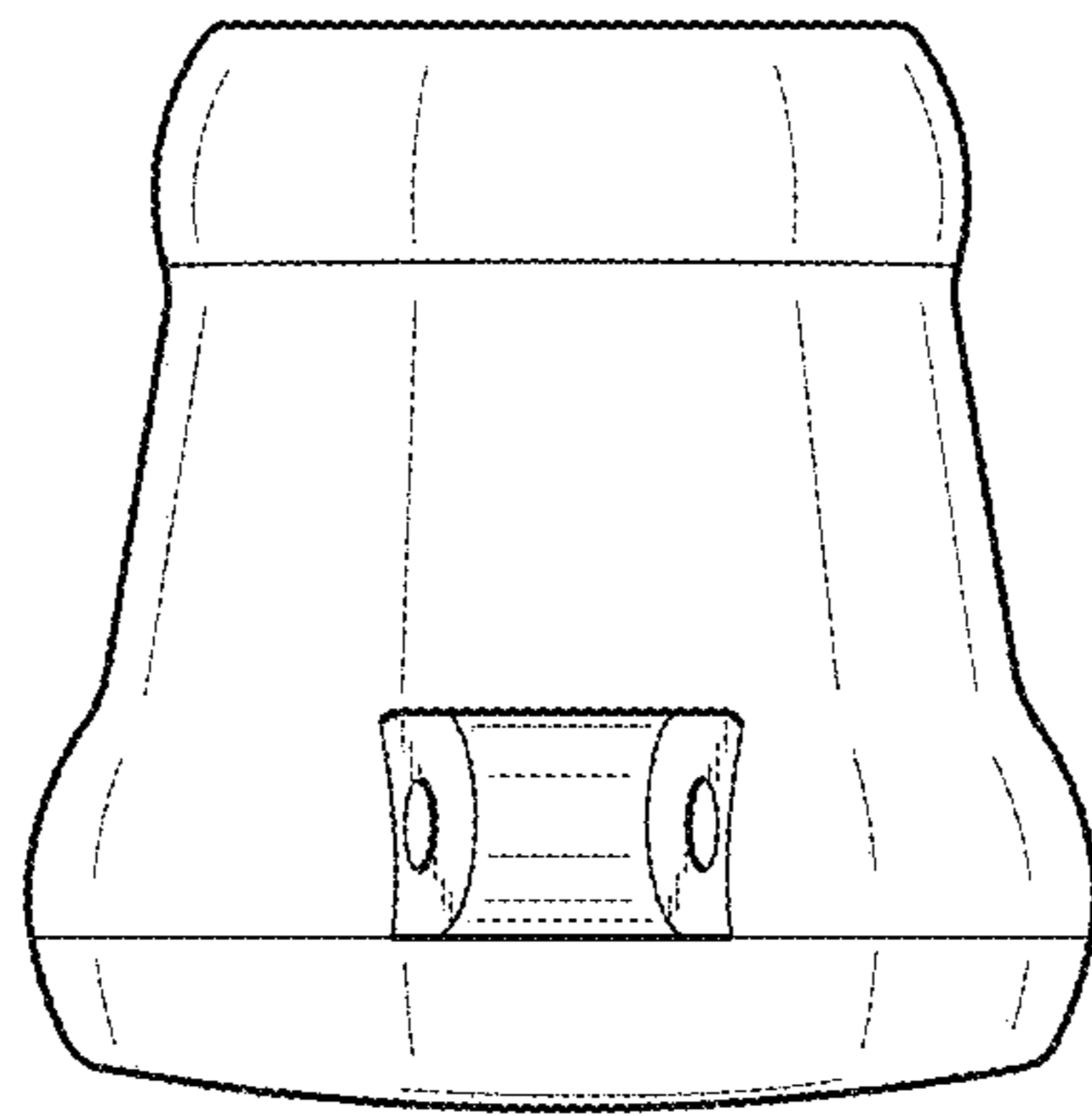


Fig. 7

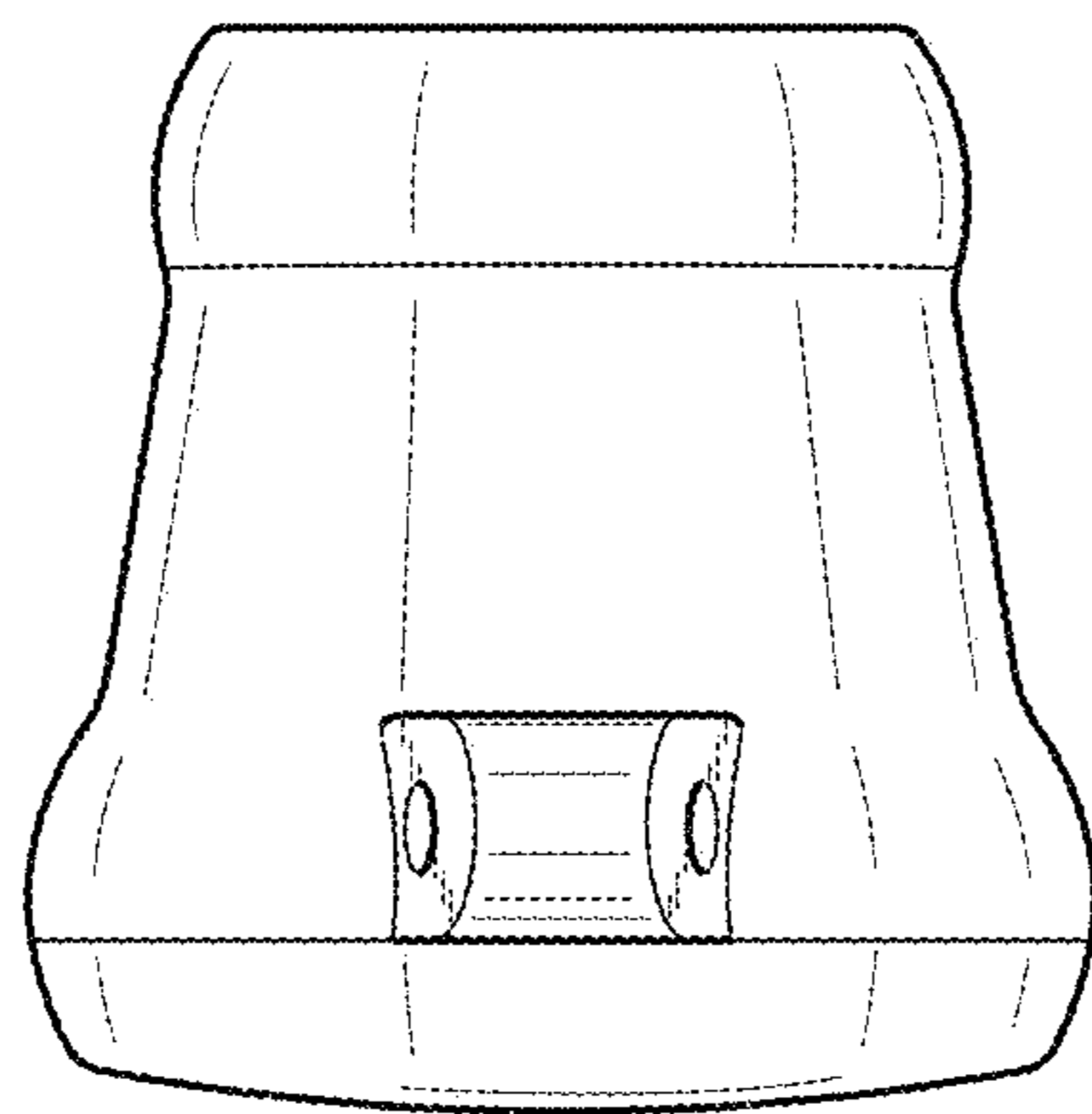


Fig. 8