



US00D880686S

(12) **United States Design Patent** (10) **Patent No.:** **US D880,686 S**
Stoks et al. (45) **Date of Patent:** **** *Apr. 7, 2020**

(54) **BREATHING TUBE**

(71) Applicant: **Fisher & Paykel Healthcare Limited,**
Auckland (NZ)

(72) Inventors: **Elmo Benson Stoks,** Auckland (NZ);
Gareth James Hobbs, Auckland (NZ)

(73) Assignee: **Fisher & Paykel Healthcare Limited,**
Auckland (NZ)

(*) Notice: This patent is subject to a terminal disclaimer.

(**) Term: **15 Years**

(21) Appl. No.: **29/674,279**

(22) Filed: **Dec. 20, 2018**

Related U.S. Application Data

(62) Division of application No. 29/571,806, filed on Jul. 21, 2016, now Pat. No. Des. 841,148.

(51) **LOC (12) Cl.** **29-02**

(52) **U.S. Cl.**
USPC **D24/110**

(58) **Field of Classification Search**
USPC D24/110, 110.1–110.5, 127, 129
(Continued)

(56) **References Cited**

U.S. PATENT DOCUMENTS

2,516,864 A * 8/1950 Gilmore B29B 13/00
156/143
4,188,081 A * 2/1980 Holden A47L 9/246
439/192

(Continued)

FOREIGN PATENT DOCUMENTS

WO WO 2012/164407 A1 12/2012
WO WO 2014/077706 A1 5/2014

(Continued)

OTHER PUBLICATIONS

International Standard, ISO 11664-4, dated Nov. 1, 2008; 18 pages.

(Continued)

Primary Examiner — Lilyana Bekic

(74) *Attorney, Agent, or Firm* — Knobbe, Martens, Olson & Bear LLP

(57) **CLAIM**

The ornamental design for a breathing tube, as shown and described.

DESCRIPTION

FIG. 1 is a top, front, and side perspective view of a breathing tube embodying our new design.

FIG. 2 is a front view thereof.

FIG. 3 is a rear view thereof.

FIG. 4 is a right side view thereof.

FIG. 5 is a left side view thereof.

FIG. 6 is a top view thereof.

FIG. 7 is a bottom view thereof; and,

FIG. 8 is an enlarged view of a portion of FIG. 4, showing a bead that is lined for the color blue with the bead being positioned between intervening portions of a wall of a conduit of the breathing tube.

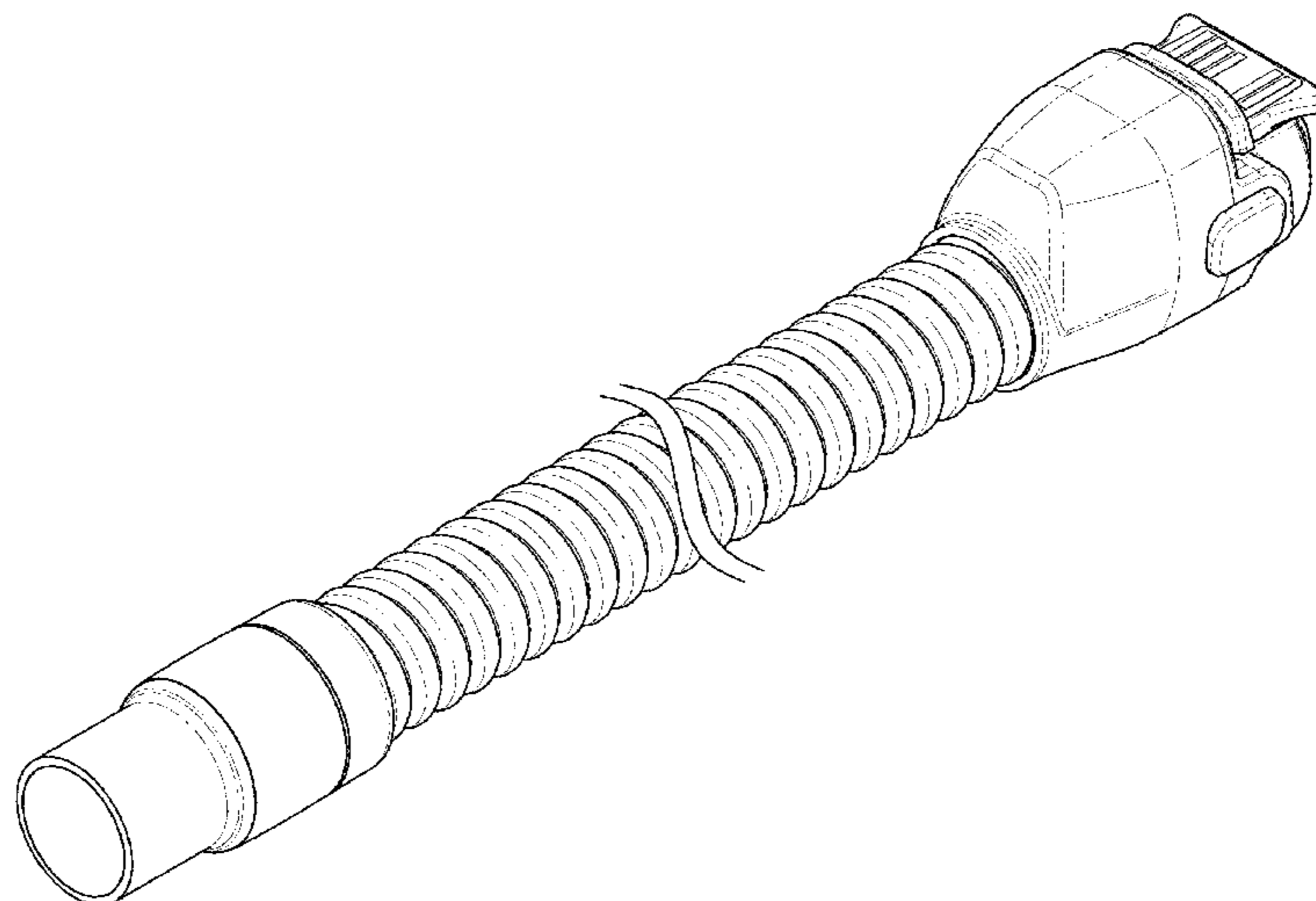
The breathing tube is shown with a symbolic break in its length. The appearance of any portion of the article between the break lines forms no part of the claimed design.

The color and shading of the bead is a blue color value in the L*a*b* color space of L=42 to 48; a=10 to 18; b=-69 to -53 according to color measurement standard ISO 11664-4:2008 (E)/CIE S 014-4/E:2007. As used herein, “blue” shall mean this color value.

The references to “left,” “right,” “front,” “rear,” “top,” and “bottom” in the figure descriptions are not meant to require certain in-use orientation; the breathing tube according to the claim design may be used in any orientation.

The broken lines in the drawings depict portions of the breathing tube that form no part of the claimed design.

1 Claim, 7 Drawing Sheets



(58) **Field of Classification Search**

CPC A61M 16/0616; A61M 16/0633; A61M 16/06; A61M 16/0666; A61M 16/0683; A61M 16/0875; A61M 16/0816; A61M 16/08; A61M 16/0605; A61M 16/0622; A61M 16/0644

See application file for complete search history.

(56) **References Cited**

U.S. PATENT DOCUMENTS

4,686,354 A * 8/1987 Makin A61M 16/1075
392/472
7,226,302 B2 * 6/2007 Walter A47L 9/246
439/191
D628,288 S * 11/2010 Row D24/129
D629,891 S * 12/2010 Virr D24/129
D629,892 S * 12/2010 Hill D24/129
D638,536 S * 5/2011 Row D24/129
D638,537 S * 5/2011 Virr D24/129
D638,933 S * 5/2011 Hill D24/129
D652,917 S * 1/2012 Hill D24/129
D671,209 S * 11/2012 Row D24/129
D742,508 S * 11/2015 Row D24/129
D751,687 S * 3/2016 Daly D24/110
D751,688 S * 3/2016 Daly D24/110
D761,422 S * 7/2016 Row D24/129
D762,843 S * 8/2016 Formica D24/110

D807,995 S * 1/2018 Maeckelberghe D23/358
D822,818 S * 7/2018 Maeckelberghe D23/358
D841,147 S * 2/2019 McCool D24/110
D841,148 S * 2/2019 Stoks D24/110
2012/0227738 A1 * 9/2012 Virr A61M 16/0051
128/204.21
2013/0333701 A1 * 12/2013 Herron A61M 16/0875
128/203.27
2015/0128944 A1 * 5/2015 Buechi A61M 16/1065
128/203.27
2015/0306332 A1 * 10/2015 Bafle A61M 16/0875
128/202.27
2017/0100556 A1 * 4/2017 Munkelt A61M 16/0808
2017/0304578 A1 * 10/2017 Stoks A61M 16/0875
2019/0076620 A1 * 3/2019 Stoks A61M 16/0875
2019/0344037 A1 * 11/2019 Forrester B29C 48/0019

FOREIGN PATENT DOCUMENTS

WO WO 2014/088430 A1 6/2014
WO WO 2015/142192 A1 9/2015

OTHER PUBLICATIONS

News Release; Airvo Nasal High Flow System; May 12, 2015; 2 pages.

* cited by examiner

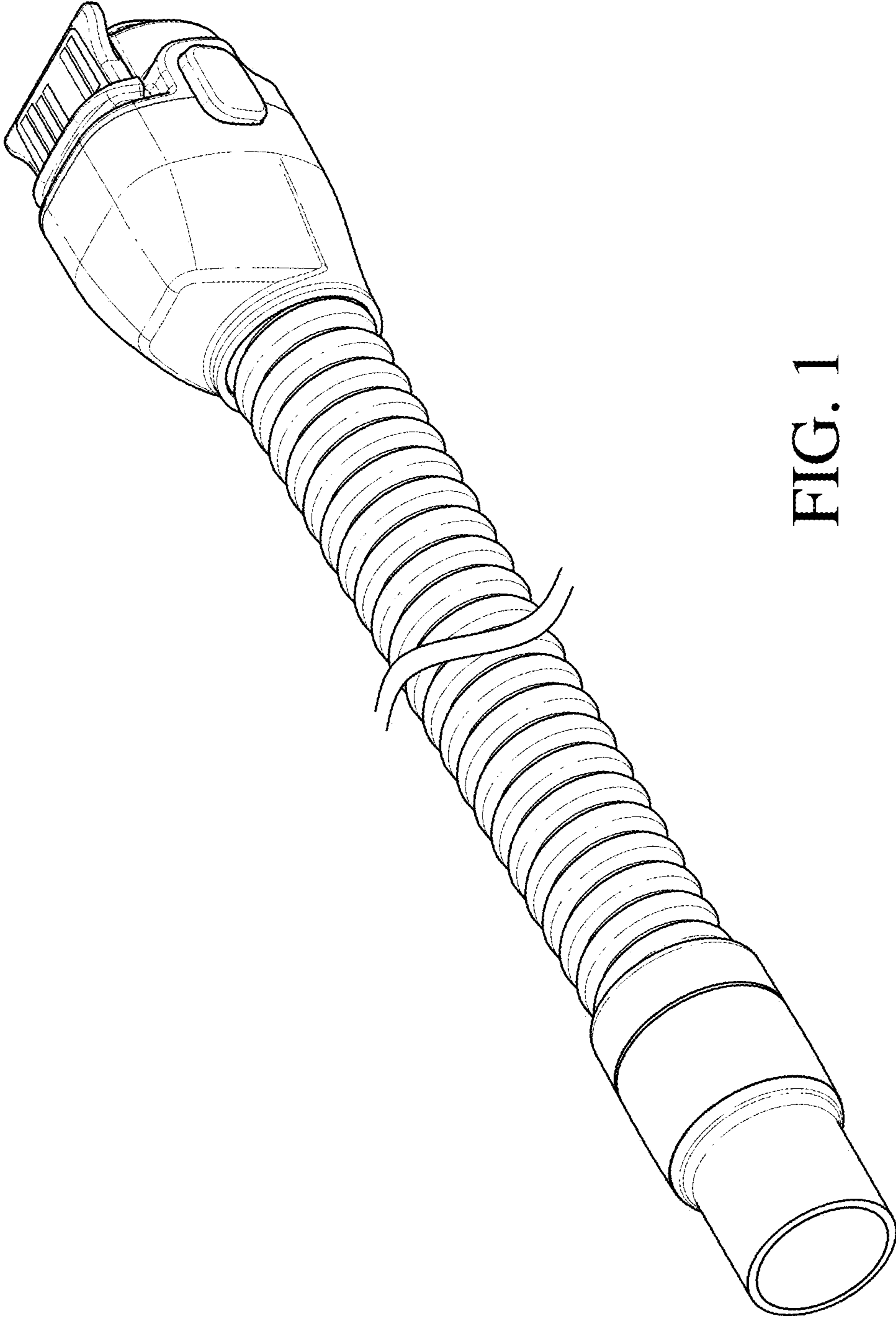


FIG. 1

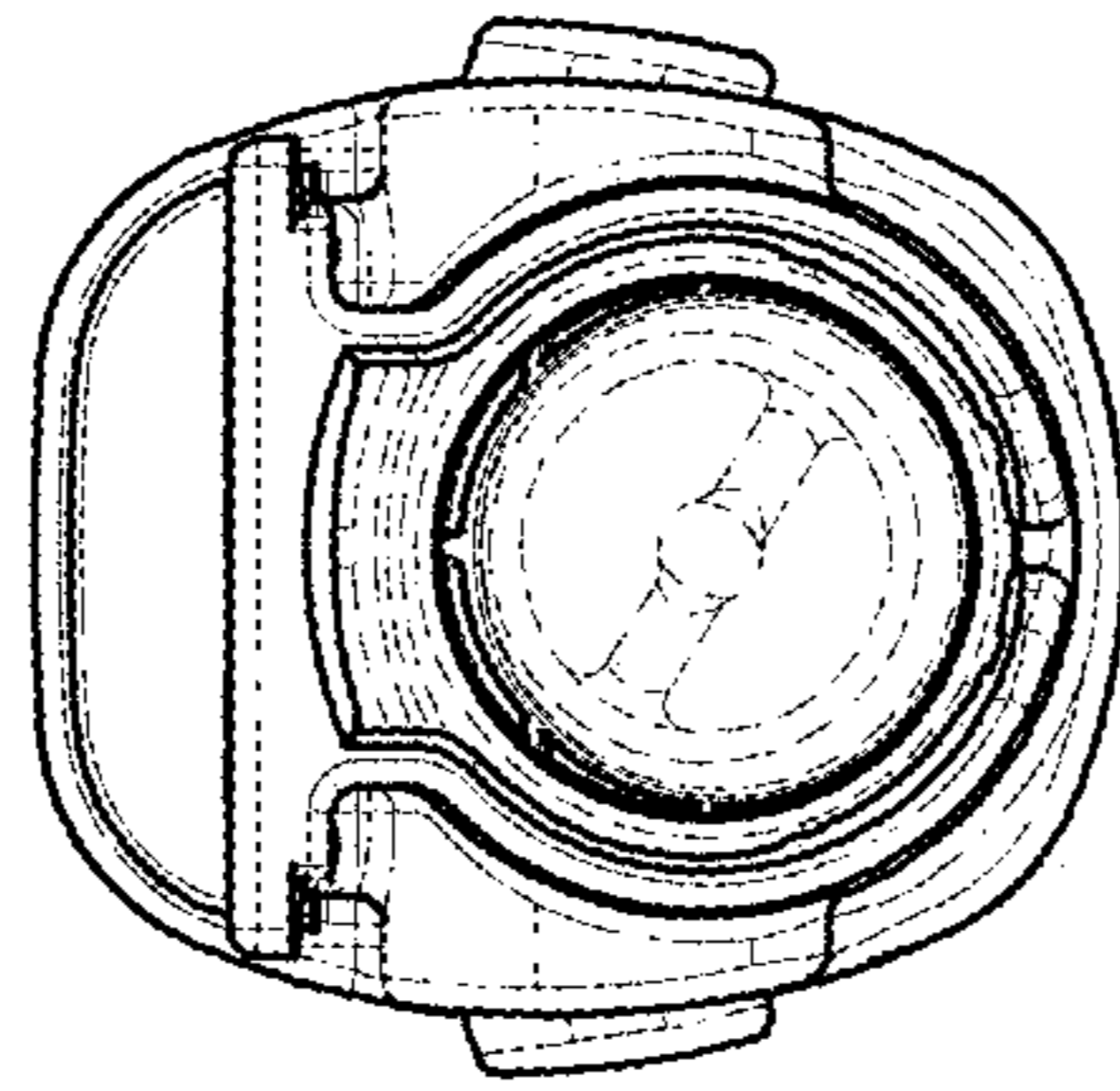


FIG. 3

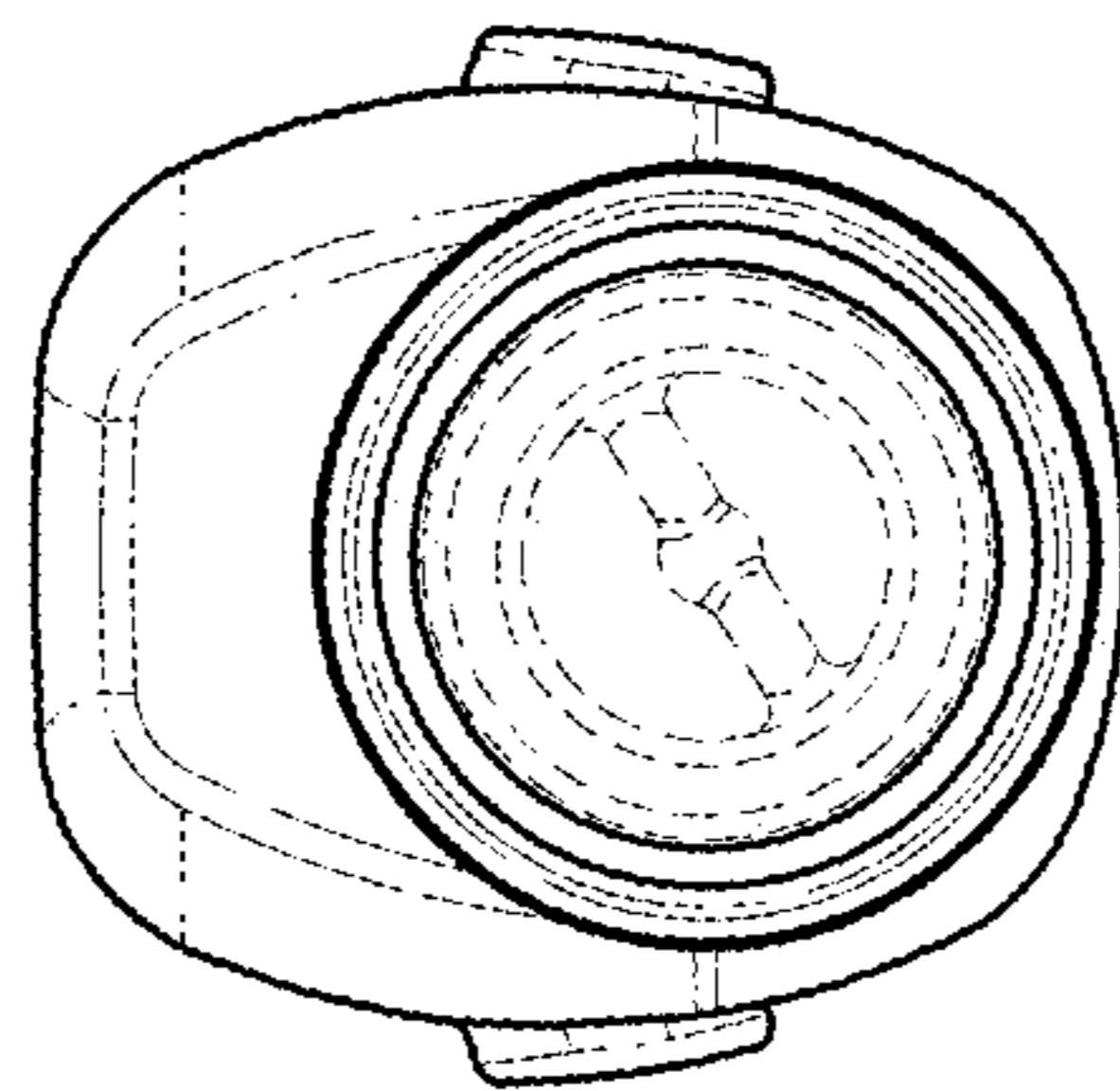


FIG. 2

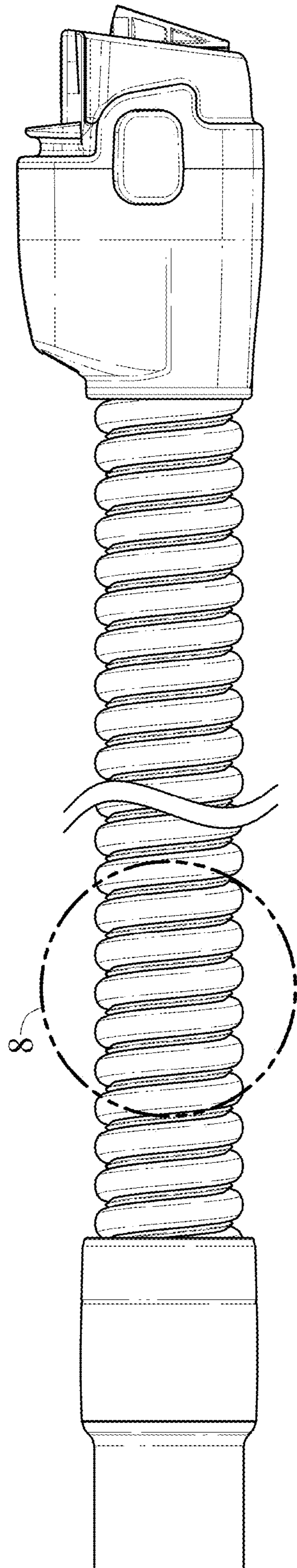


FIG. 4

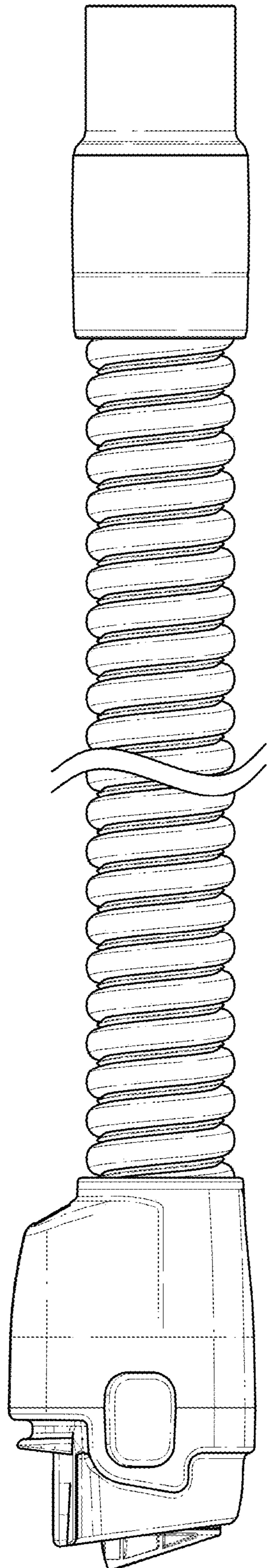


FIG. 5

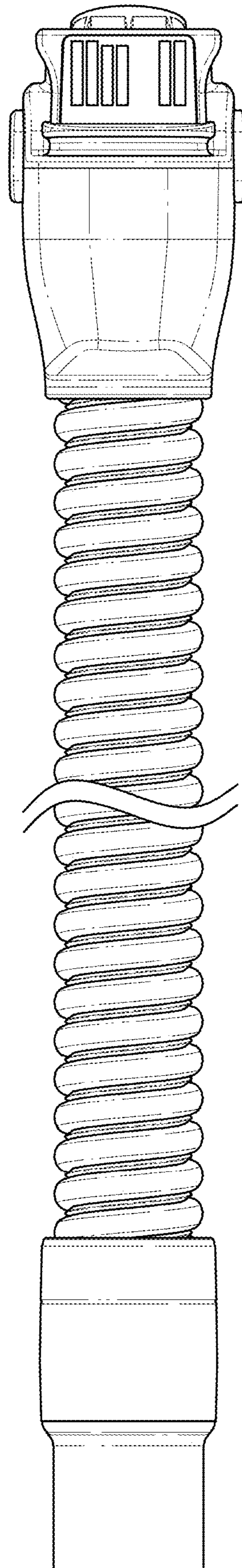


FIG. 6

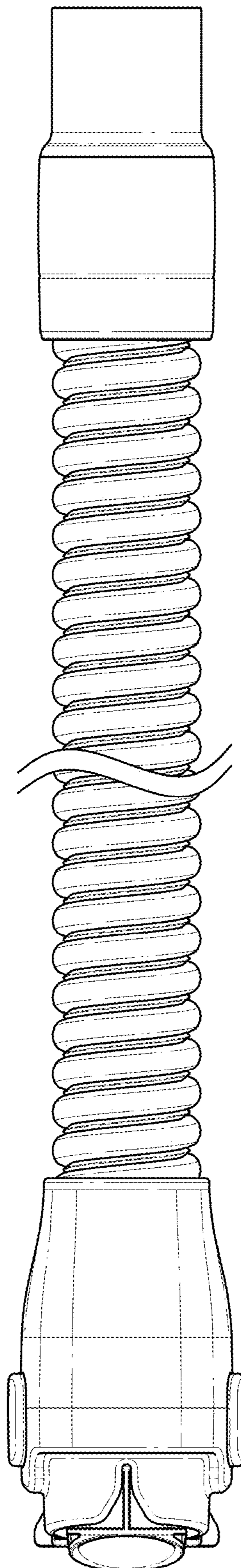


FIG. 7

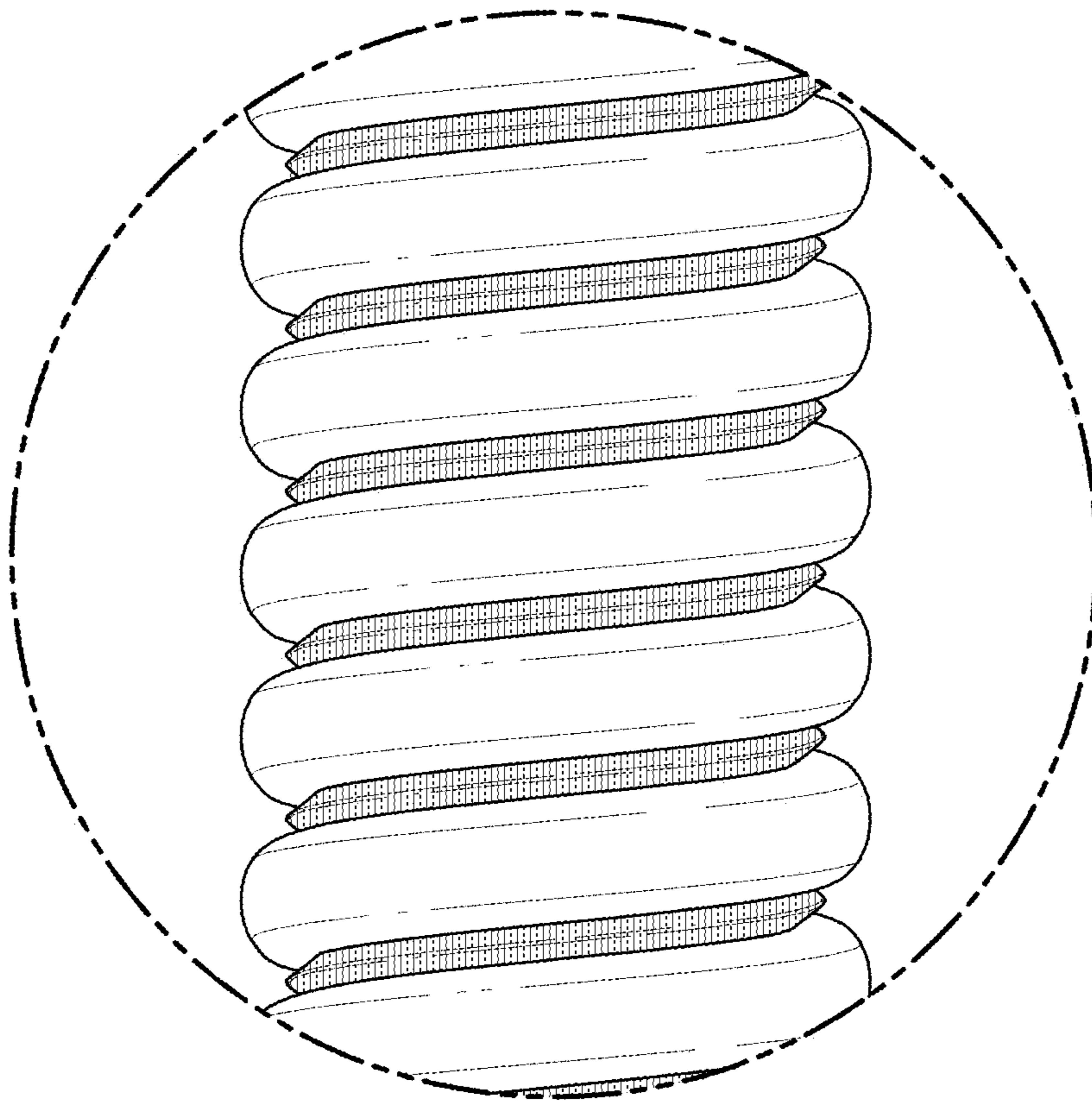


FIG. 8