



US00D880681S

(12) **United States Design Patent** (10) **Patent No.:** **US D880,681 S**
Norwood et al. (45) **Date of Patent:** **** Apr. 7, 2020**

(54) **CEILING FAN BLADE**

(71) Applicant: **Hunter Fan Company**, Memphis, TN (US)

(72) Inventors: **Bobby Neal Norwood**, Oakland, TN (US); **Christine Marie Holmes Bradley**, Memphis, TN (US); **Charles William Botkin**, Cordova, TN (US)

(73) Assignee: **Hunter Fan Company**, Memphis, TN (US)

(**) Term: **15 Years**

(21) Appl. No.: **29/655,996**

(22) Filed: **Jul. 10, 2018**

(51) **LOC (12) Cl.** **23-03**

(52) **U.S. Cl.**
USPC **D23/413**

(58) **Field of Classification Search**
USPC D23/370, 377, 379, 385, 411-414;
D12/214, 339, 344
CPC F04D 29/38; F04D 29/384; F04D 29/386;
F04D 29/388
See application file for complete search history.

(56) **References Cited**

U.S. PATENT DOCUMENTS

1,455,591	A *	5/1923	Lawson	B63H 1/26 416/243
2,008,957	A	7/1935	Hueglin		
2,157,999	A	5/1939	Charavay		
2,283,956	A *	5/1942	Smith	F03B 3/121 416/223 R
2,592,471	A	4/1952	Sawyer		
2,682,925	A	7/1954	Wosika		
2,918,977	A	12/1959	Ely		
3,053,325	A *	9/1962	Ferreira	B64C 11/16 416/228

(Continued)

FOREIGN PATENT DOCUMENTS

CN 202073834 U 12/2011
CN 202132275 U 2/2012

(Continued)

OTHER PUBLICATIONS

<https://www.myfan.com.au/ceiling-fans/loft/>, Item specification for the Loft 60" Ceiling Fan Collection by Emerson—High Performance, 6 pages, item accessed on May 8, 2018.

(Continued)

Primary Examiner — Karen E Kearney

Assistant Examiner — Sharon S Oum

(74) *Attorney, Agent, or Firm* — McGarry Bair PC

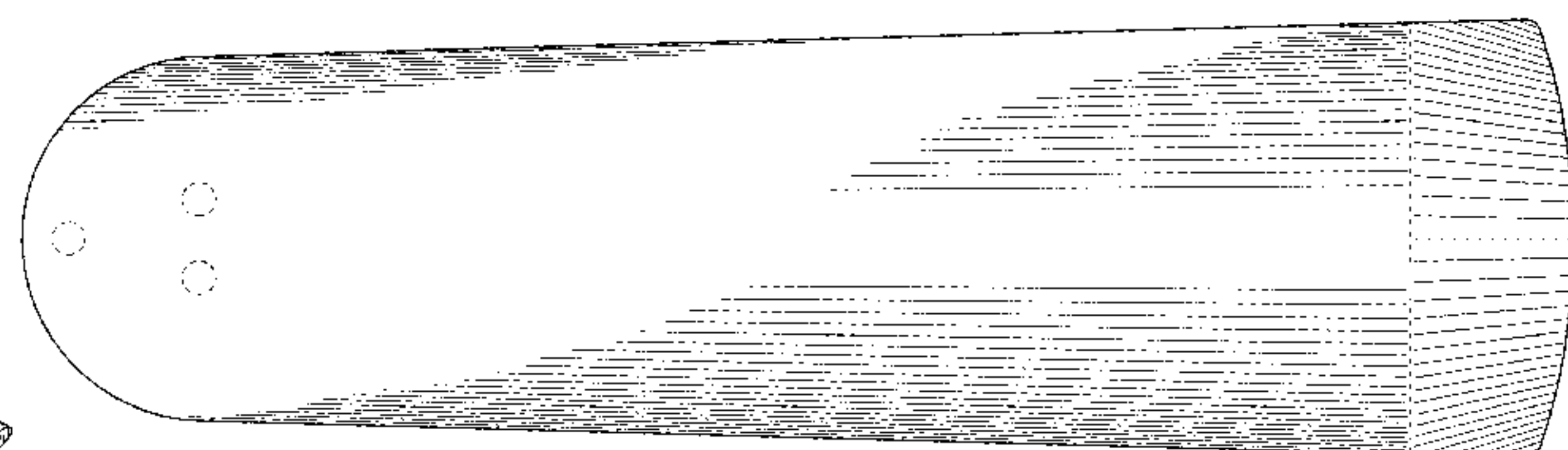
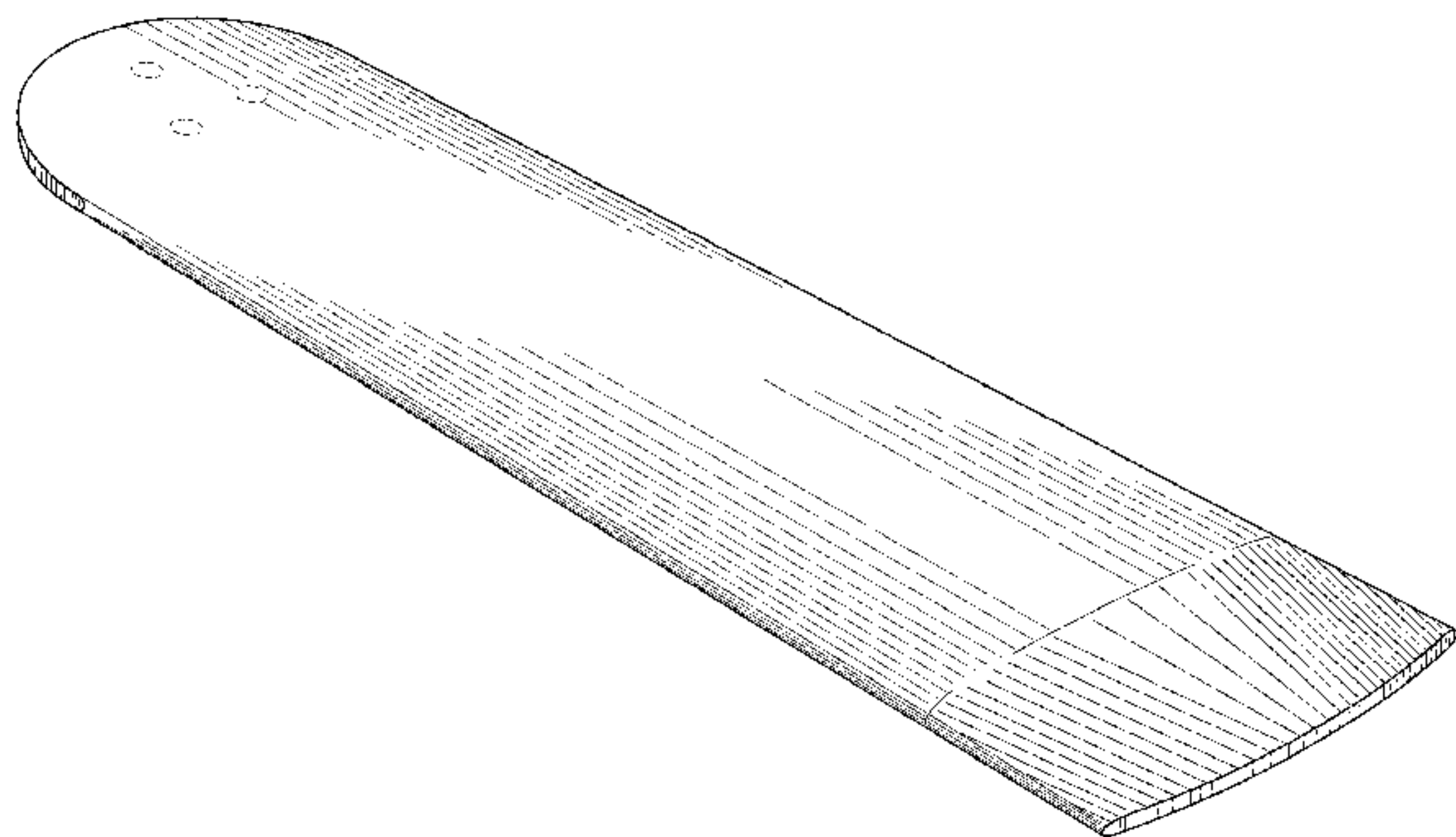
(57) **CLAIM**

The ornamental design for a ceiling fan blade, as shown and described.

DESCRIPTION

FIG. 1 is a top perspective view of a ceiling fan blade showing our new design;
FIG. 2 is a bottom perspective view thereof;
FIG. 3 is a top view thereof;
FIG. 4 is a bottom view thereof;
FIG. 5 is a rear view thereof, looking at a root of the ceiling fan blade;
FIG. 6 is a front view thereof, looking at a tip of the ceiling fan blade;
FIG. 7 is a left side view thereof;
FIG. 8 is a right side view thereof;
FIG. 9 is an enlarged view of the tip of the ceiling fan blade of FIG. 8; and,
FIG. 10 is an enlarged view of the root of the ceiling fan blade of FIG. 8.
Portions of the ceiling fan blade shown in broken lines form no part of the claimed design.

1 Claim, 7 Drawing Sheets



(56)

References Cited

U.S. PATENT DOCUMENTS

3,891,349 A 6/1975 Woollenweber, Jr.
 4,046,489 A 9/1977 Fairchild
 4,275,993 A 6/1981 Sprengling
 4,358,245 A 11/1982 Gray
 4,630,787 A * 12/1986 Middlebrook B64C 11/18
 244/35 R
 4,662,819 A 5/1987 Lakowske
 4,892,460 A 1/1990 Volk
 D312,688 S * 12/1990 Mason D23/377
 D314,046 S * 1/1991 Yen D23/377
 D331,101 S * 11/1992 Rezek D23/377
 5,193,983 A 3/1993 Shyu
 5,230,850 A 7/1993 Lewis
 5,244,347 A 9/1993 Gallivan
 5,401,138 A 3/1995 Mosiewicz
 D364,678 S * 11/1995 Lee D23/377
 5,575,624 A 11/1996 Bogage
 5,681,145 A 10/1997 Neely
 D412,571 S * 8/1999 Lee D23/377
 6,039,533 A 3/2000 McCabe
 6,039,541 A 3/2000 Parker
 6,146,097 A 11/2000 Bradt
 6,183,201 B1 2/2001 Maby
 6,244,821 B1 5/2001 Takahashi et al.
 6,250,886 B1 6/2001 Immell
 6,402,475 B1 6/2002 Chen
 6,508,627 B2 1/2003 Gerken et al.
 D482,436 S * 11/2003 Young D23/377
 6,685,436 B2 2/2004 Huang
 6,884,034 B1 4/2005 Parker et al.
 D513,315 S * 12/2005 Hidalgo D23/377
 D514,685 S * 2/2006 Flores D23/377
 D521,142 S * 5/2006 Gerhardt D23/377
 D521,627 S * 5/2006 Flores D23/377
 D527,097 S * 8/2006 Ertze D23/413
 D536,435 S * 2/2007 Tinen D23/377
 D536,440 S * 2/2007 Clymer D23/413
 7,210,910 B1 5/2007 Parker et al.
 7,284,960 B2 10/2007 Aynsley
 D573,243 S * 7/2008 Pan D23/377
 D574,945 S * 8/2008 Hidalgo D23/377
 D594,551 S * 6/2009 Parker F04D 29/38
 D23/413
 D594,958 S * 6/2009 Hidalgo D23/377
 D600,339 S * 9/2009 Searle D23/377
 D609,799 S * 2/2010 Lee D23/377
 7,665,967 B1 * 2/2010 Parker F04D 29/38
 416/223 R
 D627,046 S * 11/2010 Wang D23/377
 D627,869 S * 11/2010 Pan D23/377
 7,927,071 B2 4/2011 Parker
 8,066,480 B2 11/2011 Madsen
 8,162,613 B2 4/2012 Oleson
 D679,795 S * 4/2013 Allen D23/377
 8,529,212 B2 9/2013 Smith
 8,579,588 B1 11/2013 Boyd
 8,721,305 B2 5/2014 Oleson

D710,489 S * 8/2014 Shurtleff D23/377
 D725,548 S * 3/2015 Herald D12/16.1
 9,011,099 B2 4/2015 Wortman
 9,360,020 B2 6/2016 Janecek
 9,523,371 B2 12/2016 Hollan
 9,546,665 B2 1/2017 Stull
 D778,421 S * 2/2017 Hidalgo D23/377
 D785,155 S * 4/2017 Wang D23/377
 9,726,192 B2 8/2017 Whitley
 D797,274 S * 9/2017 Wang D23/411
 D798,432 S * 9/2017 Badarello D23/377
 D799,664 S * 10/2017 Wang D23/377
 D801,516 S * 10/2017 Wang D23/413
 D804,633 S * 12/2017 Holmes D23/377
 D808,511 S * 1/2018 Hidalgo D23/377
 D814,622 S * 4/2018 Gajewski D23/377
 D816,826 S * 5/2018 Johnson D23/377
 D821,559 S * 6/2018 Hidalgo D23/377
 D849,224 S * 5/2019 Gardner D23/377
 D851,234 S * 6/2019 Hidalgo D23/377
 2007/0154315 A1 7/2007 Bucher
 2008/0008596 A1 1/2008 Aynsley
 2010/0104461 A1 4/2010 Smith
 2012/0003098 A1 1/2012 Lewis
 2013/0189109 A1 7/2013 Noble
 2015/0037164 A1 2/2015 Fizer
 2017/0167495 A1 6/2017 Santolucito

FOREIGN PATENT DOCUMENTS

CN 202646153 U 1/2013
 CN 103410777 A 11/2013
 CN 205243900 U 5/2016
 CN 206845502 U 1/2018
 EP 0292086 B1 5/1987
 EP 0610273 B1 10/1991
 EP 1173359 B1 2/1999
 EP 1205668 B1 11/2000
 EP 1588024 B1 1/2003
 EP 1619392 B1 7/2004
 EP 2397783 A1 6/2010
 EP 2397784 A1 6/2010
 EP 2761169 B1 9/2011
 IN 201731045349 A 1/2018
 JP 2007170292 A2 7/2007
 KR 101331103 B1 11/2013
 TW M279748 Y 11/2005
 WO 2017164586 A1 9/2017

OTHER PUBLICATIONS

<http://www.multi-wing.net/blade-profiles/airfoil-fan-blades/>, Item specification for Airfoil Fan Blades, 2 pages, item accessed on May 8, 2018.
<http://www.multi-wing.net/downloads/>, Item specification for Multi-Wing pdf brochure downloads, 2 pages, item accessed on May 8, 2018.

* cited by examiner

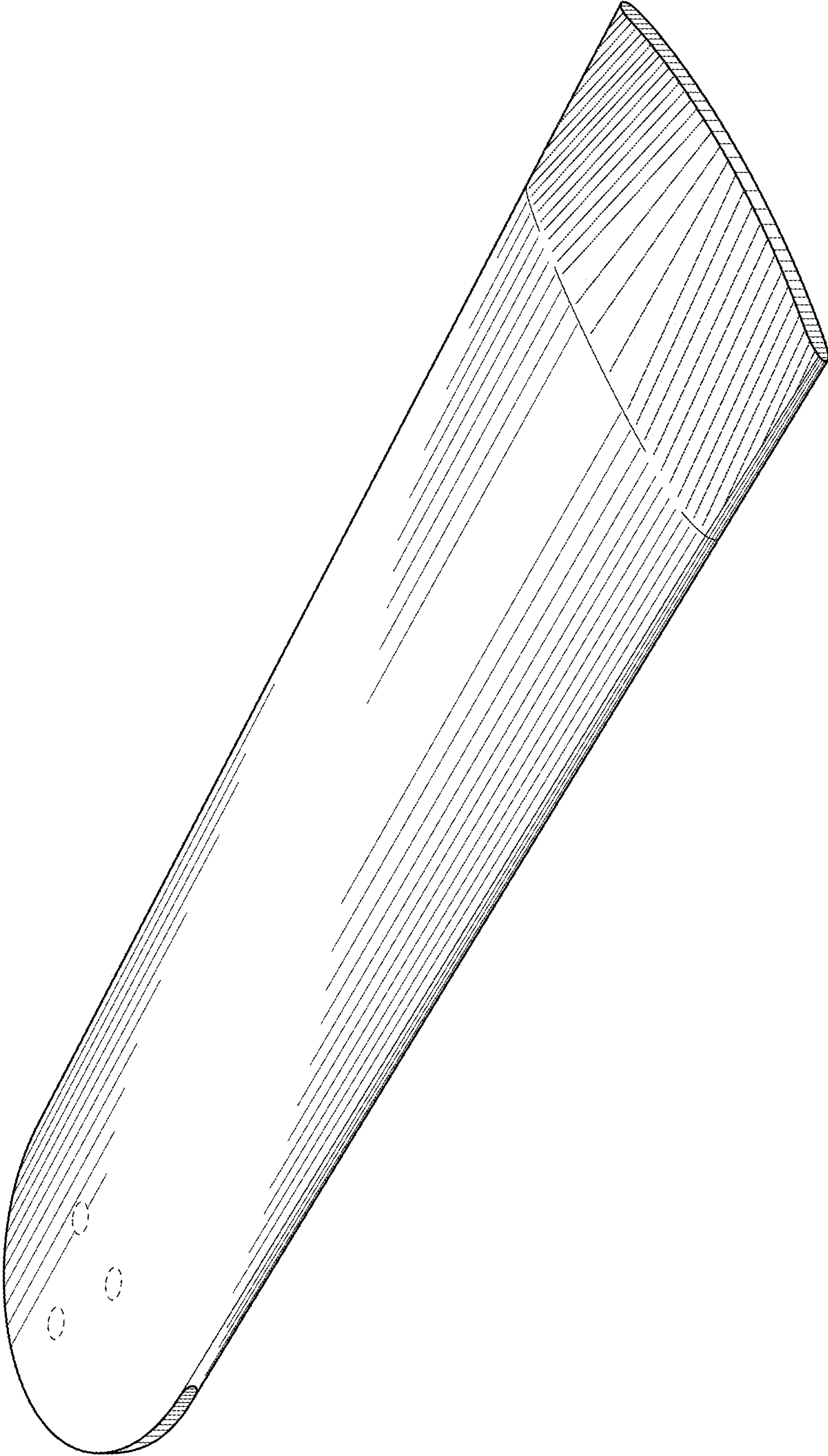


FIG. 1

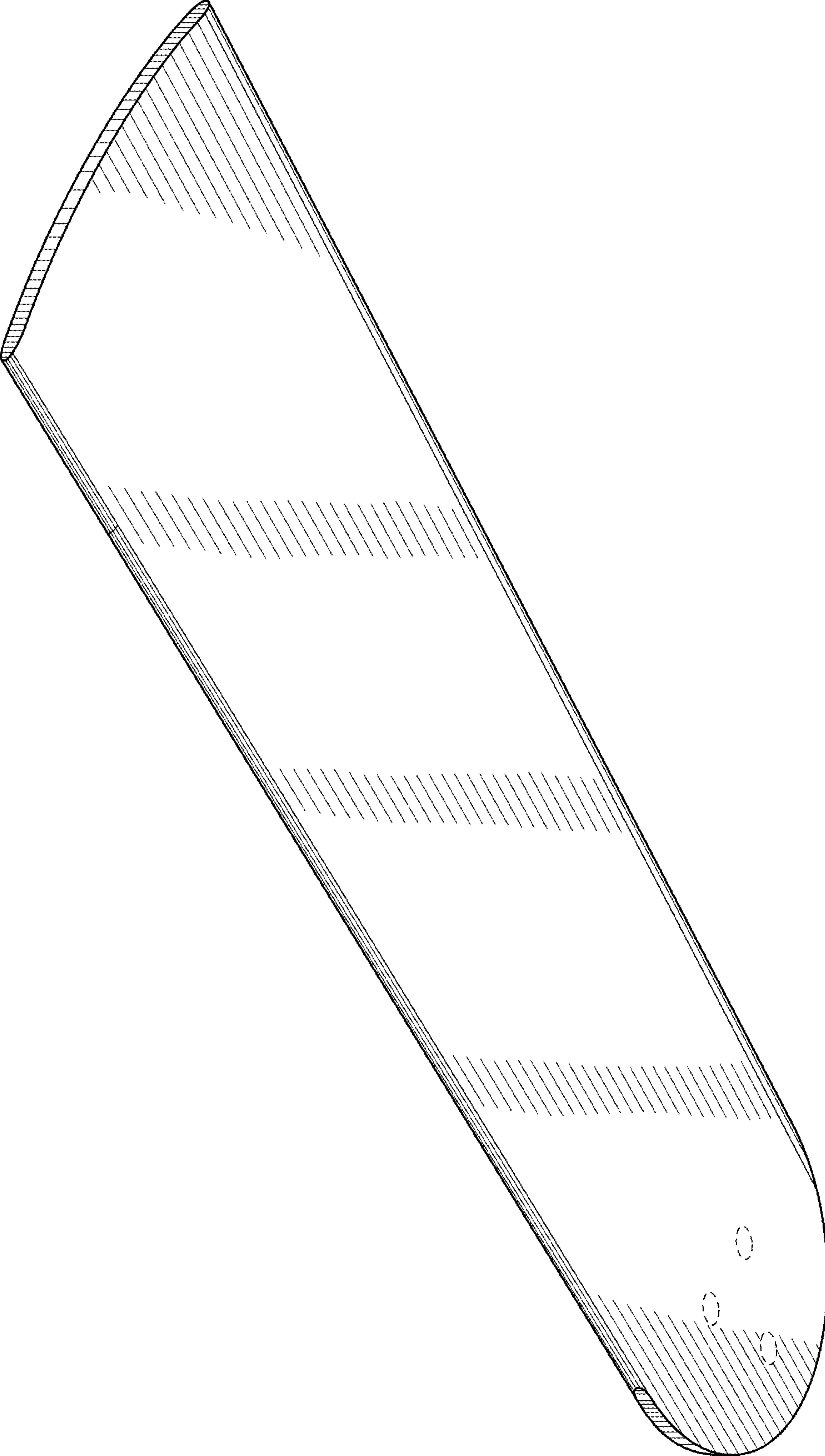


FIG. 2

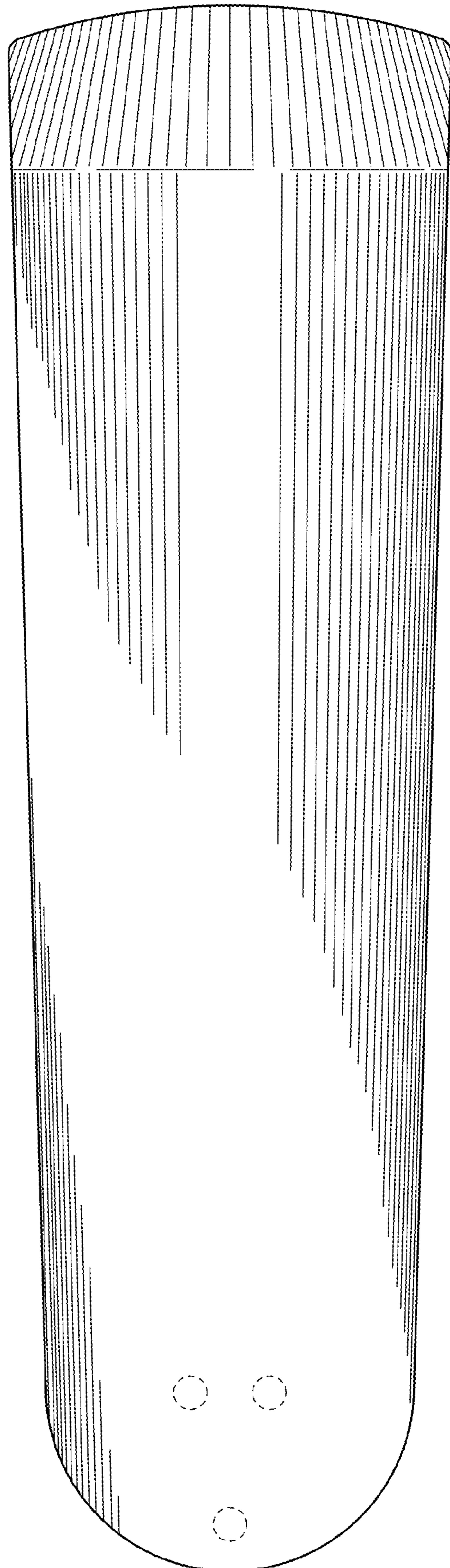


FIG. 3

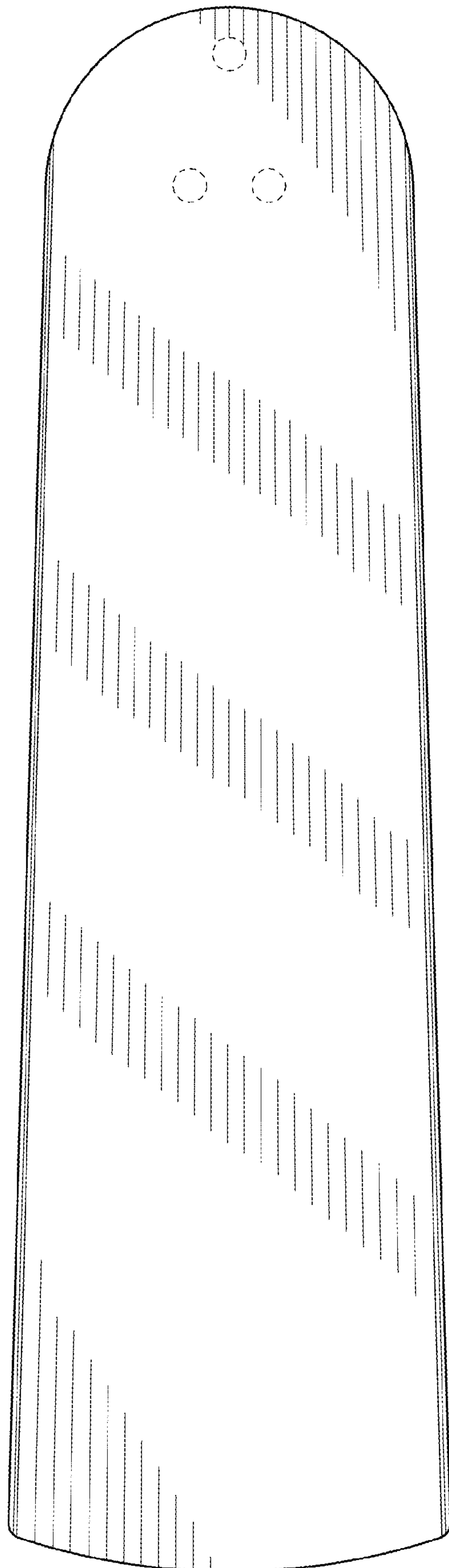


FIG. 4

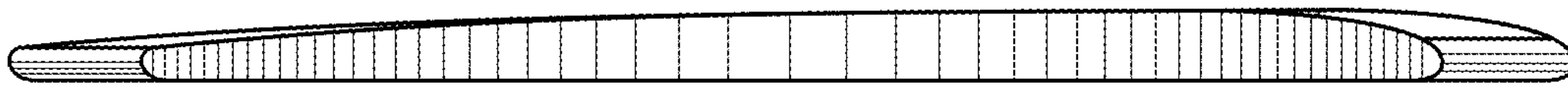


FIG. 5

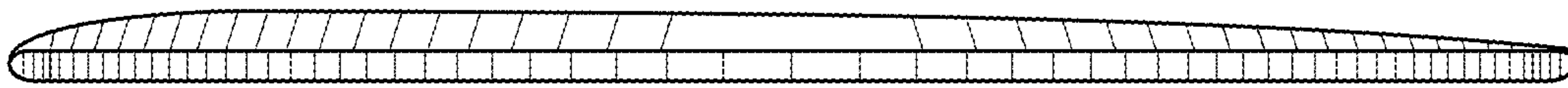


FIG. 6



FIG. 7

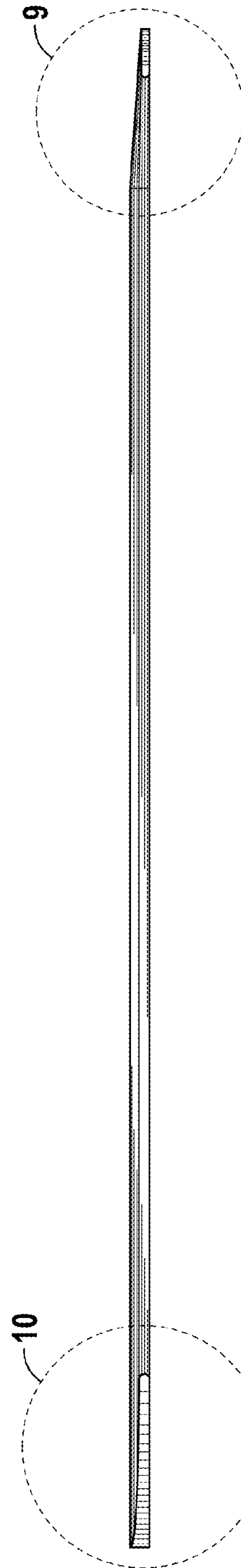


FIG. 8

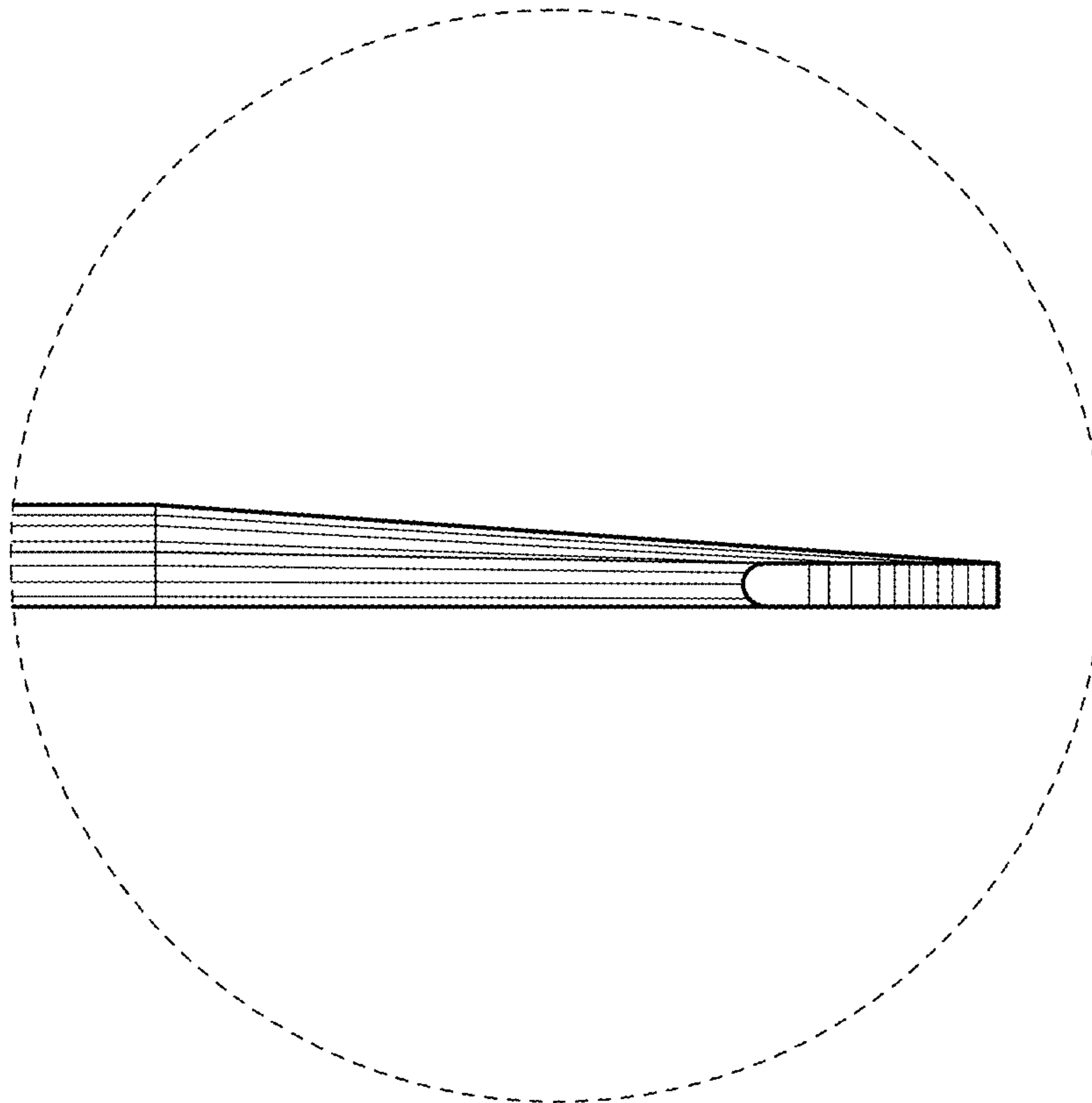


FIG. 9

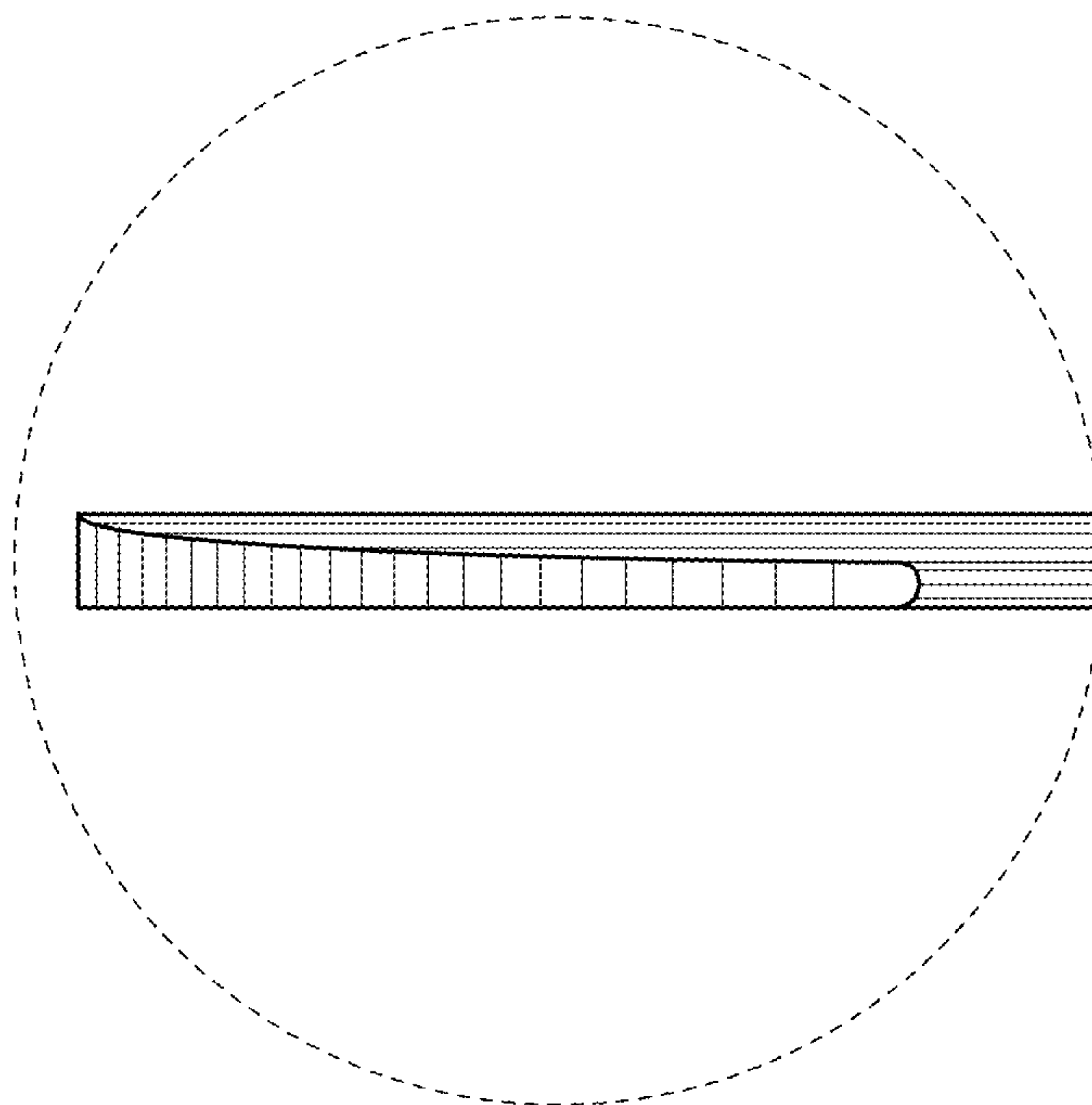


FIG. 10