



US00D880680S

(12) **United States Design Patent** (10) **Patent No.:** **US D880,680 S**  
**Norwood et al.** (45) **Date of Patent:** **\*\* Apr. 7, 2020**

(54) **CEILING FAN BLADE**

FOREIGN PATENT DOCUMENTS

(71) Applicant: **Hunter Fan Company**, Memphis, TN (US)

CN 202073834 U 12/2011  
CN 202132275 U 2/2012

(Continued)

(72) Inventors: **Bobby Neal Norwood**, Oakland, TN (US); **Christine Marie Holmes Bradley**, Memphis, TN (US); **Charles William Botkin**, Cordova, TN (US)

OTHER PUBLICATIONS

<https://www.myfan.com.au/ceiling-fans/loft/>, Item specification for the Loft 60" Ceiling Fan Collection by Emerson—High Performance, 6 pages, item accessed on May 8, 2018.

(Continued)

(73) Assignee: **Hunter Fan Company**, Memphis, TN (US)

(\*\*) Term: **15 Years**

*Primary Examiner* — Karen E Kearney

*Assistant Examiner* — Sharon S Oum

(21) Appl. No.: **29/655,994**

(74) *Attorney, Agent, or Firm* — McGarry Bair PC

(22) Filed: **Jul. 10, 2018**

(57) **CLAIM**

(51) **LOC (12) Cl.** ..... **23-03**

The ornamental design for a ceiling fan blade, as shown and described.

(52) **U.S. Cl.**

USPC ..... **D23/413**

(58) **Field of Classification Search**

**DESCRIPTION**

USPC ..... D23/370, 377, 379, 385, 411–414;  
D12/214, 339, 344

CPC ..... F04D 29/38; F04D 29/384; F04D 29/386;  
F04D 29/388

See application file for complete search history.

FIG. 1 is a top perspective view of a ceiling fan blade showing our new design;

FIG. 2 is a bottom perspective view thereof;

FIG. 3 is a top view thereof;

FIG. 4 is a bottom view thereof;

FIG. 5 is a rear view thereof, looking at a root of the ceiling fan blade;

FIG. 6 is a front view thereof, looking at a tip of the ceiling fan blade;

FIG. 7 is a left side view thereof;

FIG. 8 is a right side view thereof;

FIG. 9 is an enlarged view of the tip of the ceiling fan blade of FIG. 8; and,

FIG. 10 is an enlarged view of the root of the ceiling fan blade of FIG. 8.

Portions of the ceiling fan blade shown in broken lines form no part of the claimed design.

(56) **References Cited**

U.S. PATENT DOCUMENTS

1,455,591 A \* 5/1923 Lawson ..... B63H 1/26  
416/243

2,008,957 A 7/1935 Hueglin

2,157,999 A 5/1939 Charavay

2,283,956 A \* 5/1942 Smith ..... F03B 3/121  
416/223 R

2,592,471 A 4/1952 Sawyer

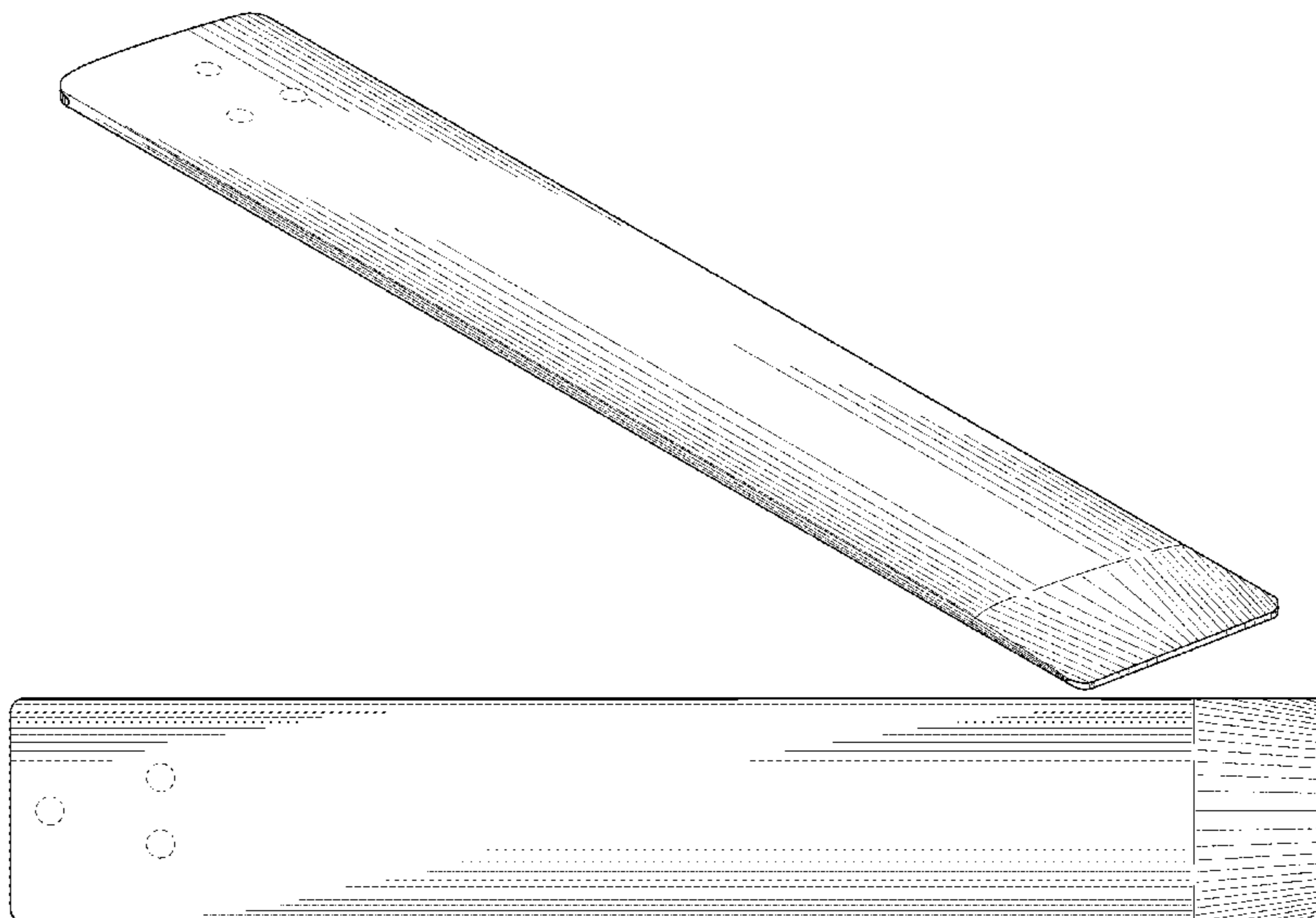
2,682,925 A 7/1954 Wosika

2,918,977 A 12/1959 Ely

3,053,325 A \* 9/1962 Ferreira ..... B64C 11/16  
416/228

(Continued)

**1 Claim, 7 Drawing Sheets**



(56)

References Cited

U.S. PATENT DOCUMENTS

3,891,349 A 6/1975 Woollenweber, Jr.  
 4,046,489 A 9/1977 Fairchild  
 4,275,993 A 6/1981 Sprengling  
 4,358,245 A 11/1982 Gray  
 4,630,787 A \* 12/1986 Middlebrook ..... B64C 11/18  
 244/35 R  
 4,662,819 A 5/1987 Lakowske  
 4,892,460 A 1/1990 Volk  
 5,193,983 A 3/1993 Shyu  
 5,230,850 A 7/1993 Lewis  
 5,244,347 A 9/1993 Gallivan  
 5,401,138 A 3/1995 Mosiewicz  
 5,575,624 A 11/1996 Bogage  
 5,681,145 A 10/1997 Neely  
 6,039,533 A 3/2000 McCabe  
 6,039,541 A 3/2000 Parker  
 6,146,097 A 11/2000 Bradt  
 6,183,201 B1 2/2001 Maby  
 D438,946 S \* 3/2001 Williams ..... D23/377  
 6,244,821 B1 5/2001 Takahashi et al.  
 6,250,886 B1 6/2001 Immell  
 6,402,475 B1 6/2002 Chen  
 6,508,627 B2 1/2003 Gerken et al.  
 D484,230 S \* 12/2003 Durham ..... D23/370  
 6,685,436 B2 2/2004 Huang  
 6,884,034 B1 4/2005 Parker et al.  
 D527,097 S \* 8/2006 Ertze ..... D23/413  
 7,210,910 B1 5/2007 Parker et al.  
 7,284,960 B2 10/2007 Aynsley  
 D584,396 S \* 1/2009 Bucher ..... D23/377  
 D594,551 S \* 6/2009 Parker ..... F04D 29/38  
 D23/413  
 7,665,967 B1 \* 2/2010 Parker ..... F04D 29/38  
 416/223 R  
 7,927,071 B2 4/2011 Parker  
 8,066,480 B2 11/2011 Madsen  
 8,162,613 B2 4/2012 Oleson  
 D679,795 S \* 4/2013 Allen ..... D23/377  
 8,529,212 B2 9/2013 Smith  
 8,579,588 B1 11/2013 Boyd  
 8,721,305 B2 5/2014 Oleson  
 D715,917 S \* 10/2014 Hidalgo ..... D23/377  
 D717,935 S \* 11/2014 Strecker ..... D23/377  
 D725,548 S \* 3/2015 Herald ..... D12/16.1  
 9,011,099 B2 4/2015 Wortman  
 9,360,020 B2 6/2016 Janecek  
 9,523,371 B2 12/2016 Hollan  
 9,546,665 B2 1/2017 Stull

D796,024 S \* 8/2017 Holmes ..... D23/377  
 9,726,192 B2 8/2017 Whitley  
 D799,020 S \* 10/2017 Guthrie ..... D23/377  
 D799,668 S \* 10/2017 Wang ..... D23/377  
 D804,641 S \* 12/2017 McRoberts ..... D23/377  
 D805,173 S \* 12/2017 Vajen Habig ..... D23/377  
 D814,011 S \* 3/2018 McRoberts ..... D23/377  
 D818,104 S \* 5/2018 Holmes ..... D23/377  
 D855,788 S \* 8/2019 Hagggar ..... D23/377  
 D860,429 S \* 9/2019 Orozco ..... D23/377  
 D864,376 S \* 10/2019 Hidalgo ..... D23/377  
 2007/0154315 A1 7/2007 Bucher  
 2008/0008596 A1 1/2008 Aynsley  
 2010/0104461 A1 4/2010 Smith  
 2012/0003098 A1 1/2012 Lewis  
 2013/0189109 A1 7/2013 Noble  
 2015/0037164 A1 2/2015 Fizer  
 2017/0167495 A1 6/2017 Santolucito

FOREIGN PATENT DOCUMENTS

CN 202646153 U 1/2013  
 CN 103410777 A 11/2013  
 CN 205243900 U 5/2016  
 CN 206845502 U 1/2018  
 EP 0292086 B1 5/1987  
 EP 0610273 B1 10/1991  
 EP 1173359 B1 2/1999  
 EP 1205668 B1 11/2000  
 EP 1588024 B1 1/2003  
 EP 1619392 B1 7/2004  
 EP 2397783 A1 6/2010  
 EP 2397784 A1 6/2010  
 EP 2761169 B1 9/2011  
 IN 201731045349 A 1/2018  
 JP 2007170292 A2 7/2007  
 KR 101331103 B1 11/2013  
 TW M279748 Y 11/2005  
 WO 2017164586 A1 9/2017

OTHER PUBLICATIONS

<http://www.multi-wing.net/blade-profiles/airfoil-fan-blades/>, Item specification for Airfoil Fan Blades, 2 pages, item accessed on May 8, 2018.  
<http://www.multi-wing.net/downloads/>, Item specification for Multi-Wing pdf brochure downloads, 2 pages, item accessed on May 8, 2018.

\* cited by examiner

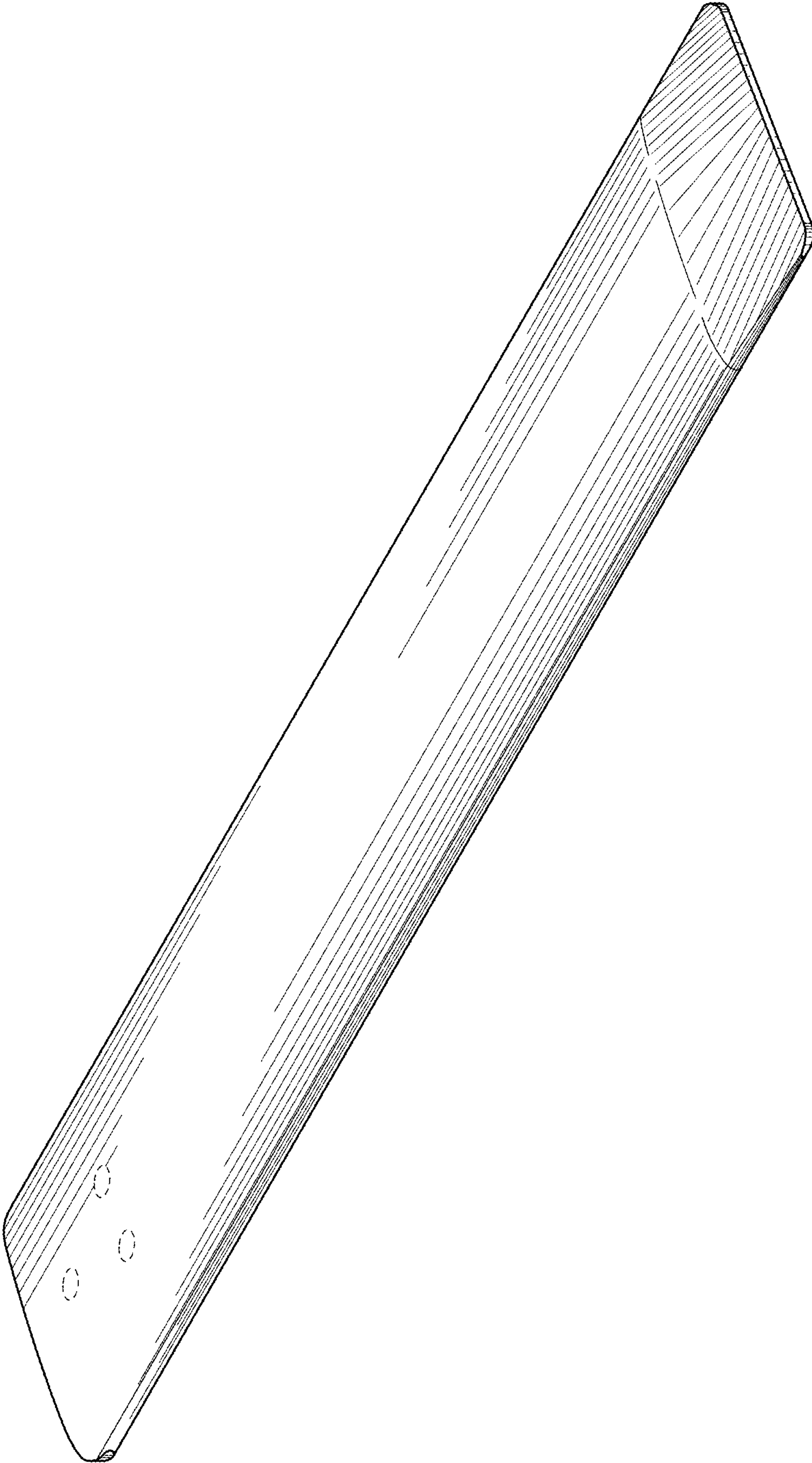


FIG. 1

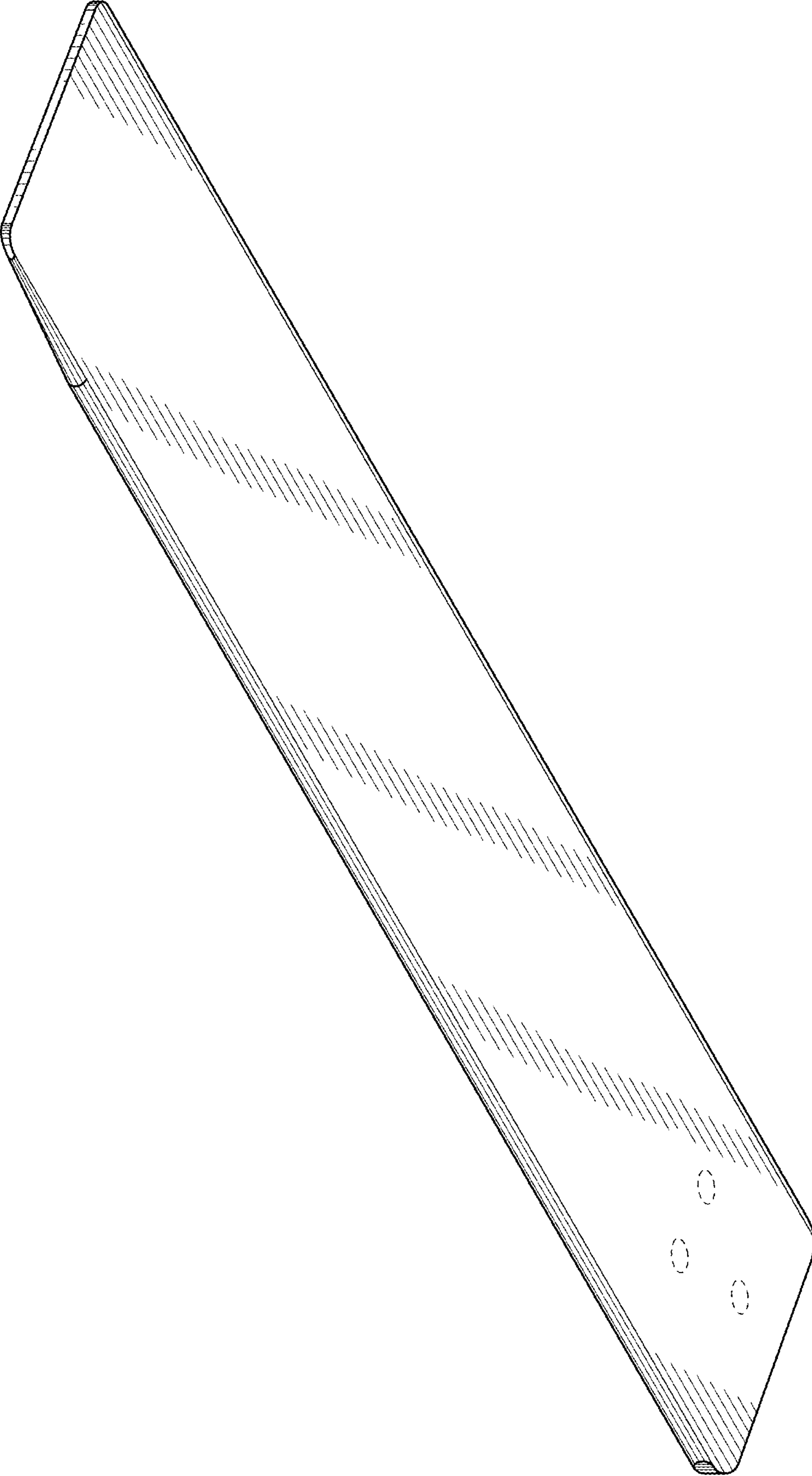


FIG. 2

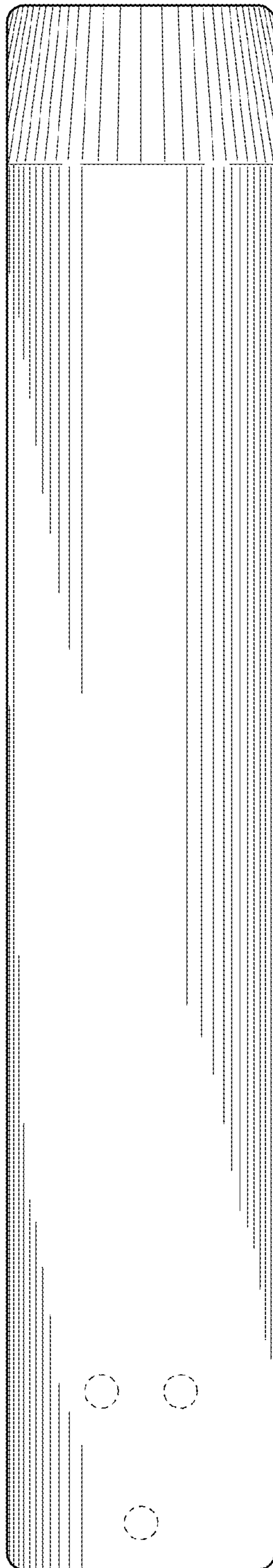


FIG. 3

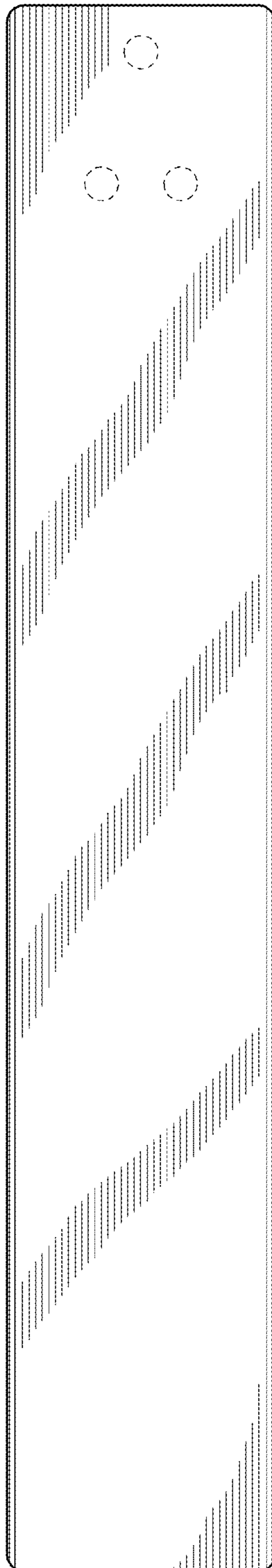


FIG. 4



FIG. 5

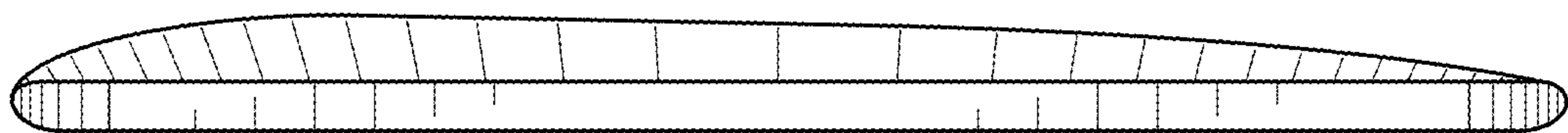


FIG. 6



FIG. 7

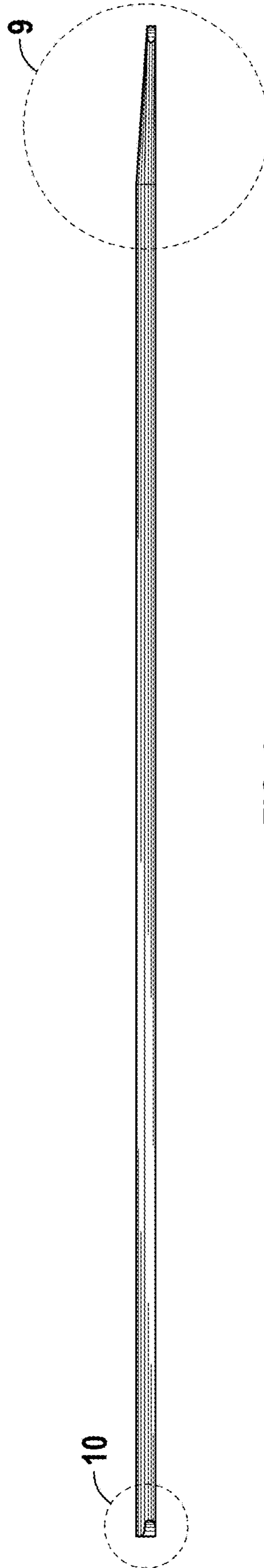


FIG. 8



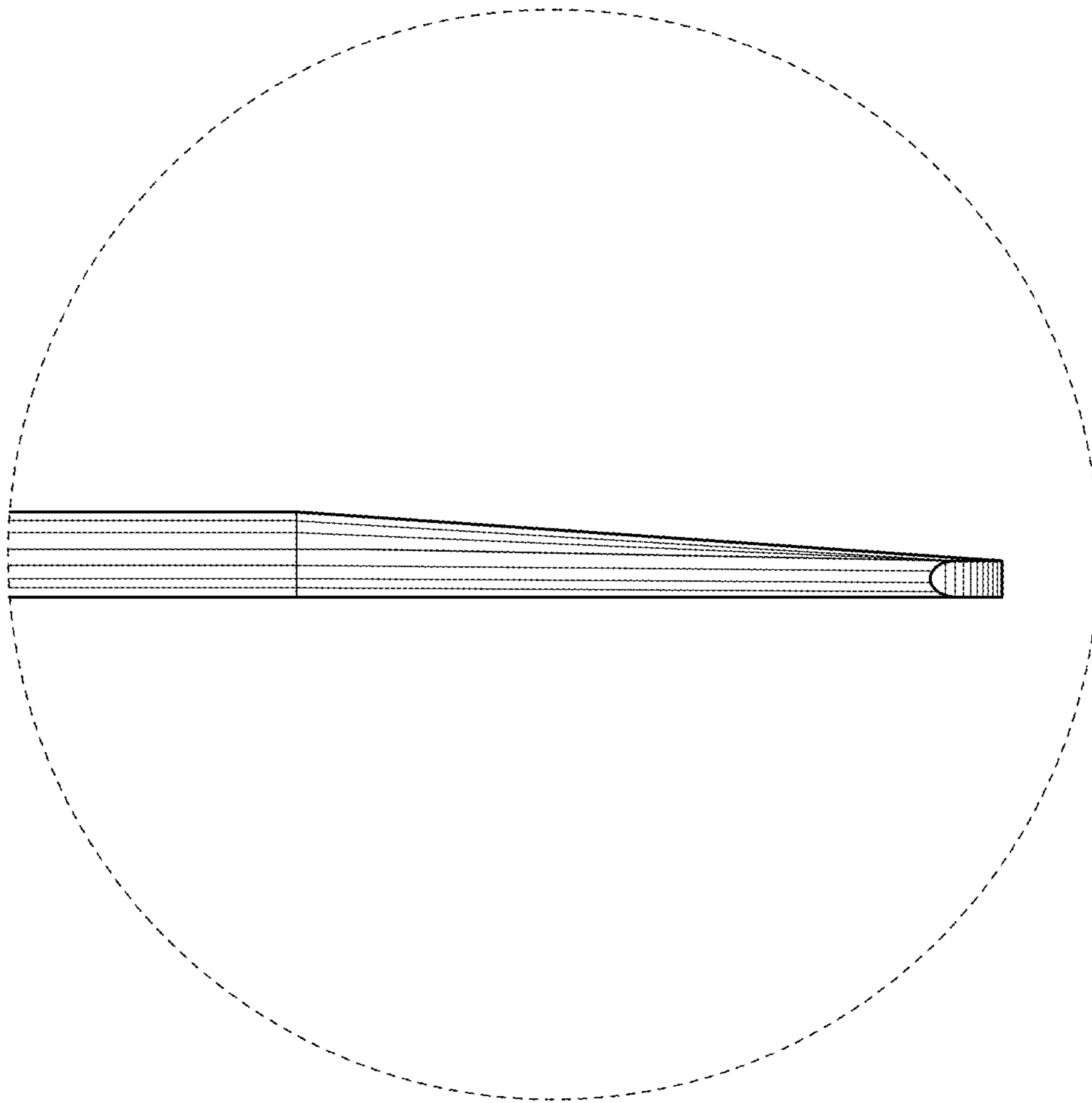


FIG. 9

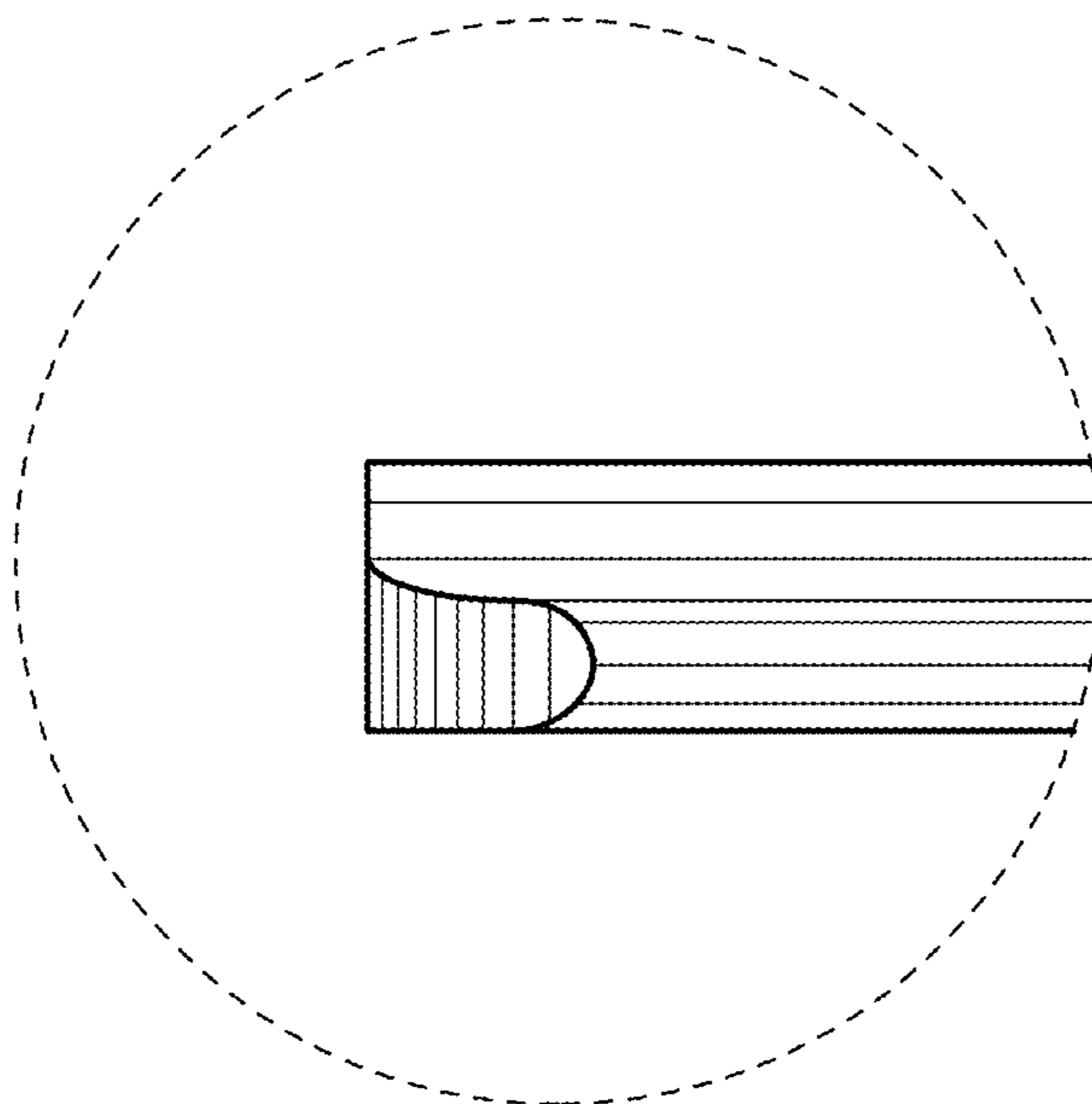


FIG. 10