



US00D880678S

(12) **United States Design Patent**  
**Freeland et al.**

(10) **Patent No.:** **US D880,678 S**

(45) **Date of Patent:** **\*\* Apr. 7, 2020**

(54) **SPRAY BOTTLE FAN**

7,775,848 B1 \* 8/2010 Auerbach ..... A23G 3/563  
446/73

(71) Applicants: **Brian Freeland**, Chandler, AZ (US);  
**Robert Vasquez**, Gilbert, AZ (US)

D668,551 S 10/2012 Kersten  
D674,706 S 1/2013 Birdwell et al.

(72) Inventors: **Brian Freeland**, Chandler, AZ (US);  
**Robert Vasquez**, Gilbert, AZ (US)

D703,308 S \* 4/2014 Peterson ..... D23/328  
D733,282 S \* 6/2015 Peterson ..... D23/328

(\*\*) Term: **15 Years**

D735,051 S 7/2015 Conway et al.  
D741,184 S \* 10/2015 Herbst ..... D9/530

(21) Appl. No.: **29/705,749**

D741,462 S 10/2015 Champ  
D744,351 S 12/2015 Hansen

(22) Filed: **Sep. 16, 2019**

D758,197 S 6/2016 Herbst  
D770,022 S 10/2016 Breit et al.

D773,630 S 12/2016 Breit et al.  
D807,993 S \* 1/2018 Breit ..... D23/328

(Continued)

**Related U.S. Application Data**

(63) Continuation-in-part of application No. 29/606,542,  
filed on Jun. 6, 2017, now Pat. No. Des. 846,727.

(51) **LOC (12) Cl.** ..... **23-04**

(52) **U.S. Cl.**

USPC ..... **D23/379**; D23/328

(58) **Field of Classification Search**

USPC ..... D23/370-379, 381-385, 411-414, 360,  
D23/335, 328, 332; D9/530, 685

CPC . F04D 5/00; F04D 27/00; F04D 25/10; F04D  
19/00; F24H 3/04; B65D 71/00

See application file for complete search history.

(56) **References Cited**

**U.S. PATENT DOCUMENTS**

D349,954 S 8/1994 Steiner et al.  
D386,572 S 11/1997 Radtke et al.  
D387,852 S 12/1997 Radtke et al.  
6,398,132 B1 \* 6/2002 Junkel ..... B05B 11/0037  
239/289

D503,212 S \* 3/2005 Peloquin ..... D21/622  
7,143,958 B1 \* 12/2006 Dorney ..... B05B 3/022  
239/289

D554,242 S 10/2007 Chen  
D565,720 S \* 4/2008 Chen ..... D23/379  
D583,677 S 12/2008 Harrison et al.

**OTHER PUBLICATIONS**

US Trademark Serial No. 87531677; Mark—Fantastic Fan, Filing  
date Jul. 18, 2017.

(Continued)

*Primary Examiner* — Janice Hallmark

(74) *Attorney, Agent, or Firm* — LegalForce RAPC  
Worldwide

(57) **CLAIM**

The ornamental design for a spray bottle fan, as shown and  
described.

**DESCRIPTION**

FIG. 1 is a front left side perspective view for a spray bottle  
fan, showing our new design;

FIG. 2 is a front elevational view of FIG. 1 thereof;

FIG. 3 is a rear elevational view of FIG. 1 thereof;

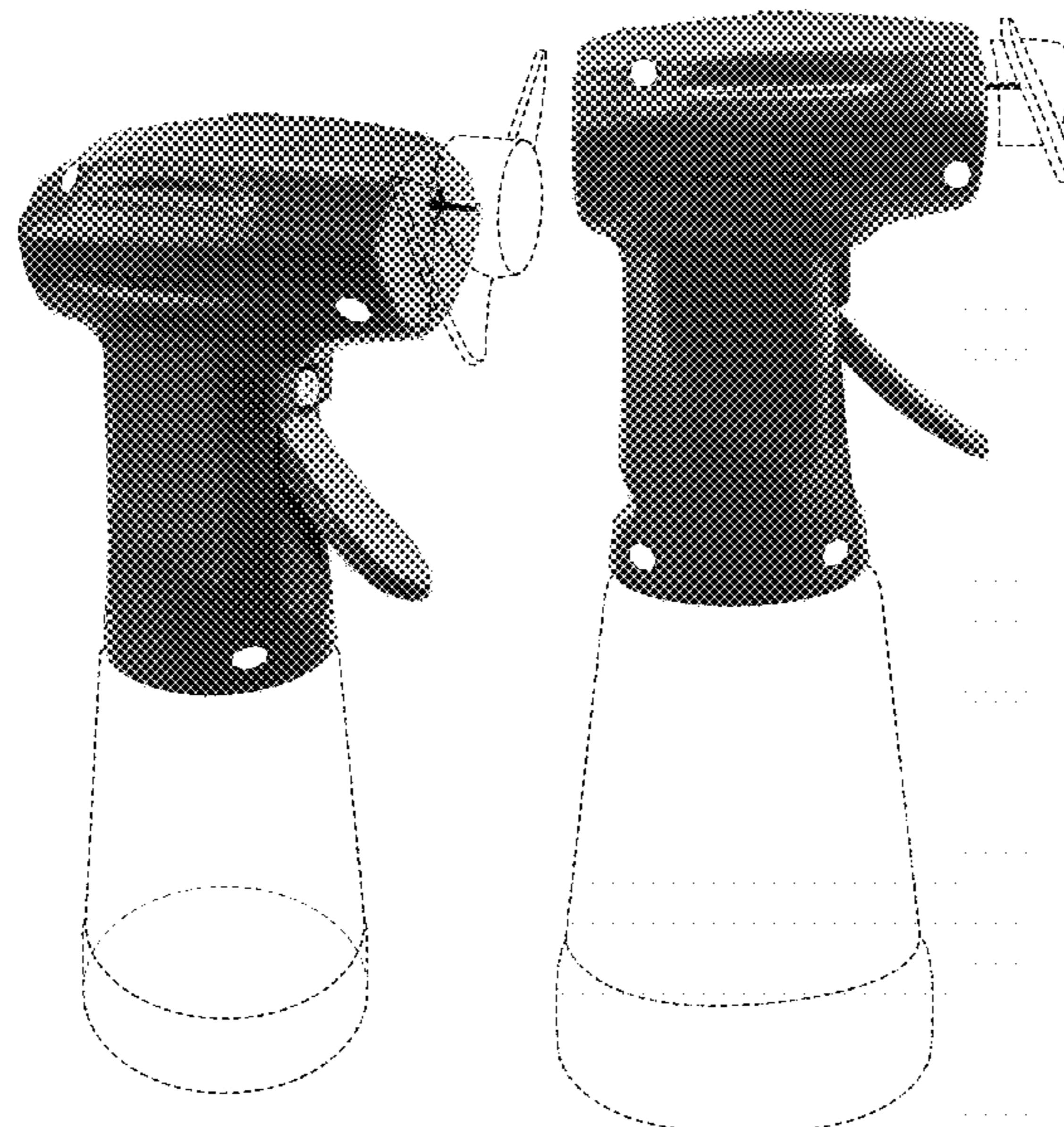
FIG. 4 is a left side elevational view of FIG. 1 thereof;

FIG. 5 is a right side elevational view of FIG. 1 thereof; and,

FIG. 6 is a top plan view of FIG. 1 thereof.

The broken lines indicate unclaimed portions of the design  
and form no part of the claimed design.

**1 Claim, 6 Drawing Sheets**



(56)

**References Cited**

U.S. PATENT DOCUMENTS

D820,430 S \* 6/2018 Breit ..... D23/379  
D846,727 S \* 4/2019 Freeland ..... D23/379  
2016/0008827 A1\* 1/2016 Chan ..... B05B 3/022  
417/70

OTHER PUBLICATIONS

“Portable Handheld Mini Water Mist Fan with Spray Bottle”, by Green Light, Found Online [Oct. 16, 2017] [https://sc01.alicdn.com/kf/HTB1vF\\_uHXXXXXboaXXXq6xXFXXXo/221281917/HTB1vF\\_uHXXXXXboaXXXq6xXFXXXo.jpg](https://sc01.alicdn.com/kf/HTB1vF_uHXXXXXboaXXXq6xXFXXXo/221281917/HTB1vF_uHXXXXXboaXXXq6xXFXXXo.jpg).

“Marvel Girls Misting Fan”, by O2COOL, Found Online [Oct. 16, 2017] <https://www.o2-cool.com/filebin/images/products/FMC0019.jpg>.

“Squeeze Breeze Water Misting Fan”, by O2COOL, Found Online [Oct. 16, 2017] <https://images-na.ssl-images-amazon.com/images/I/41ia3OL%2BnWL.jpg>.

\* cited by examiner

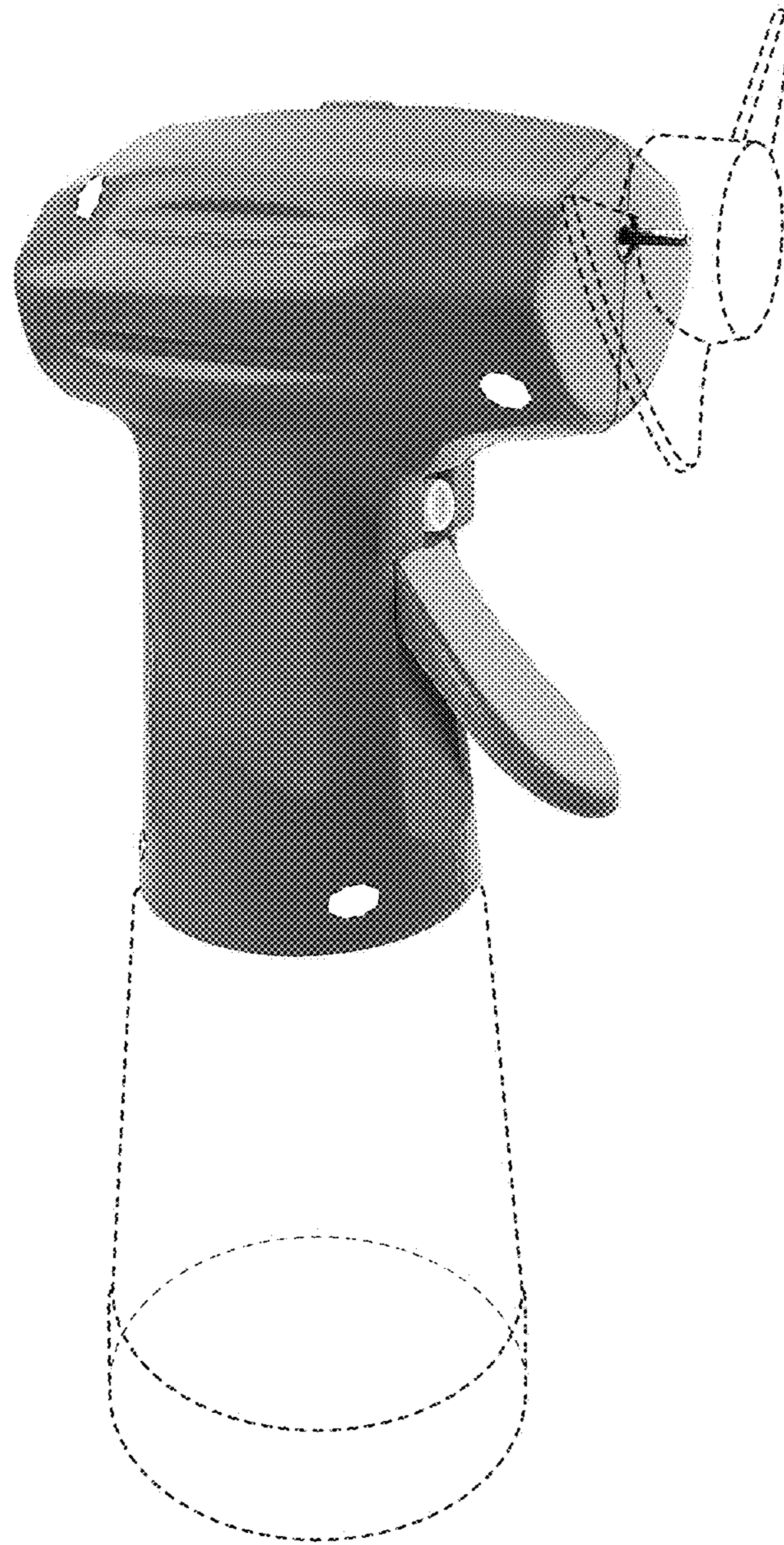


FIG. 1

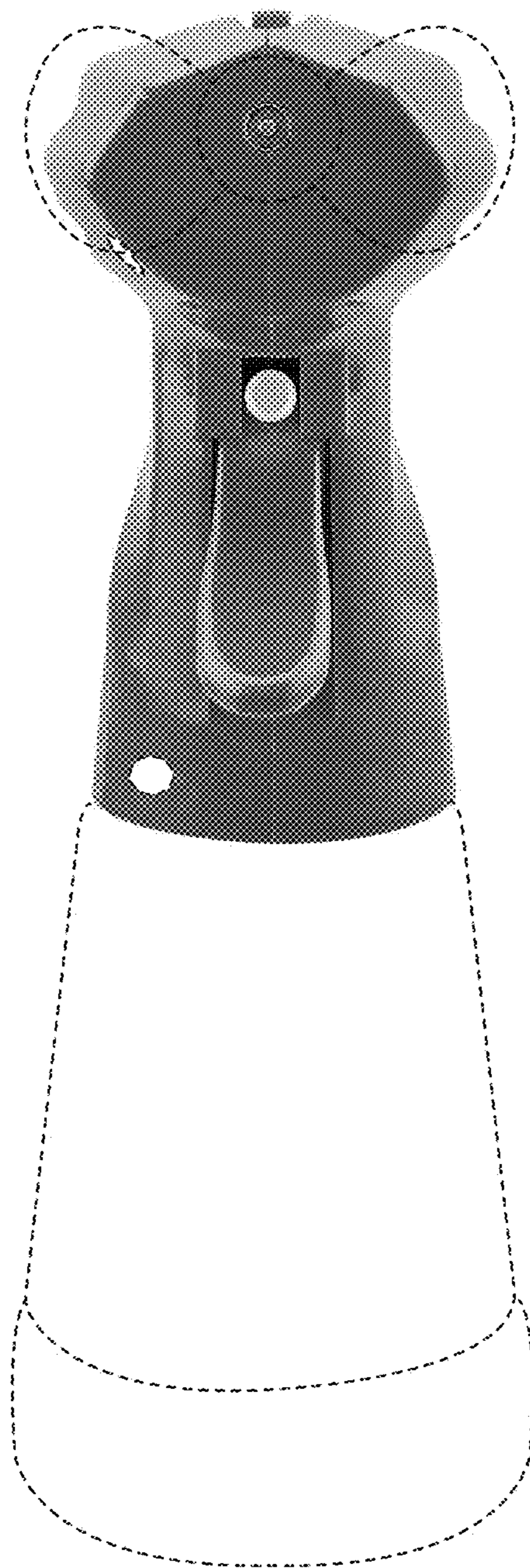


FIG. 2

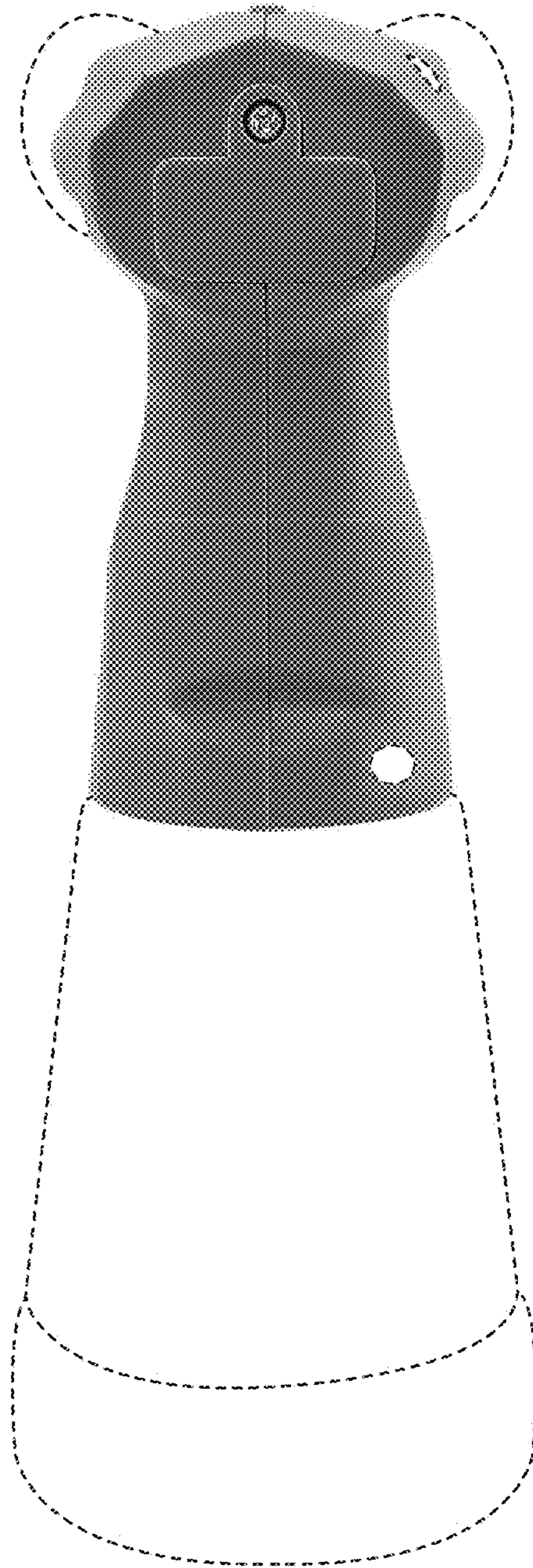


FIG. 3

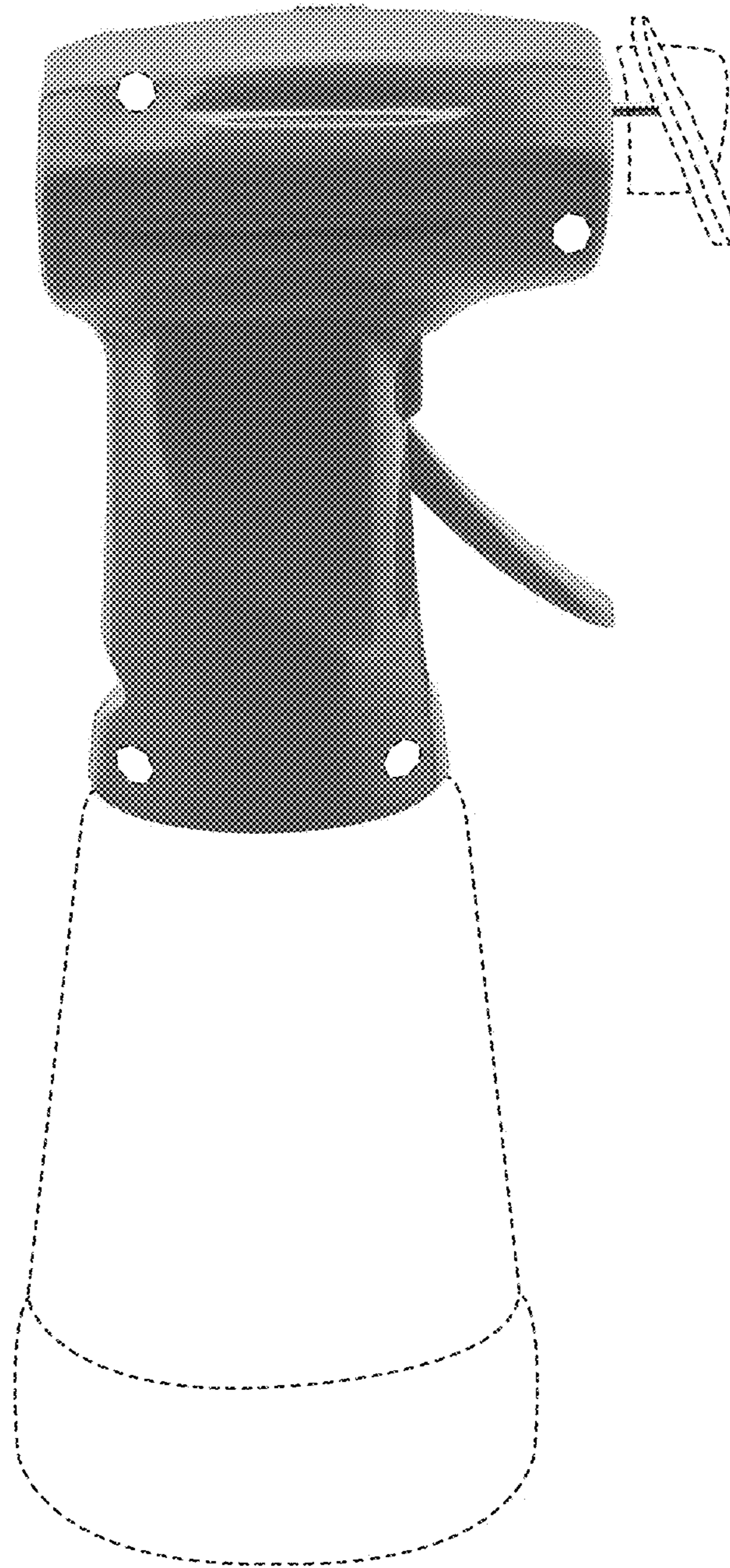


FIG. 4

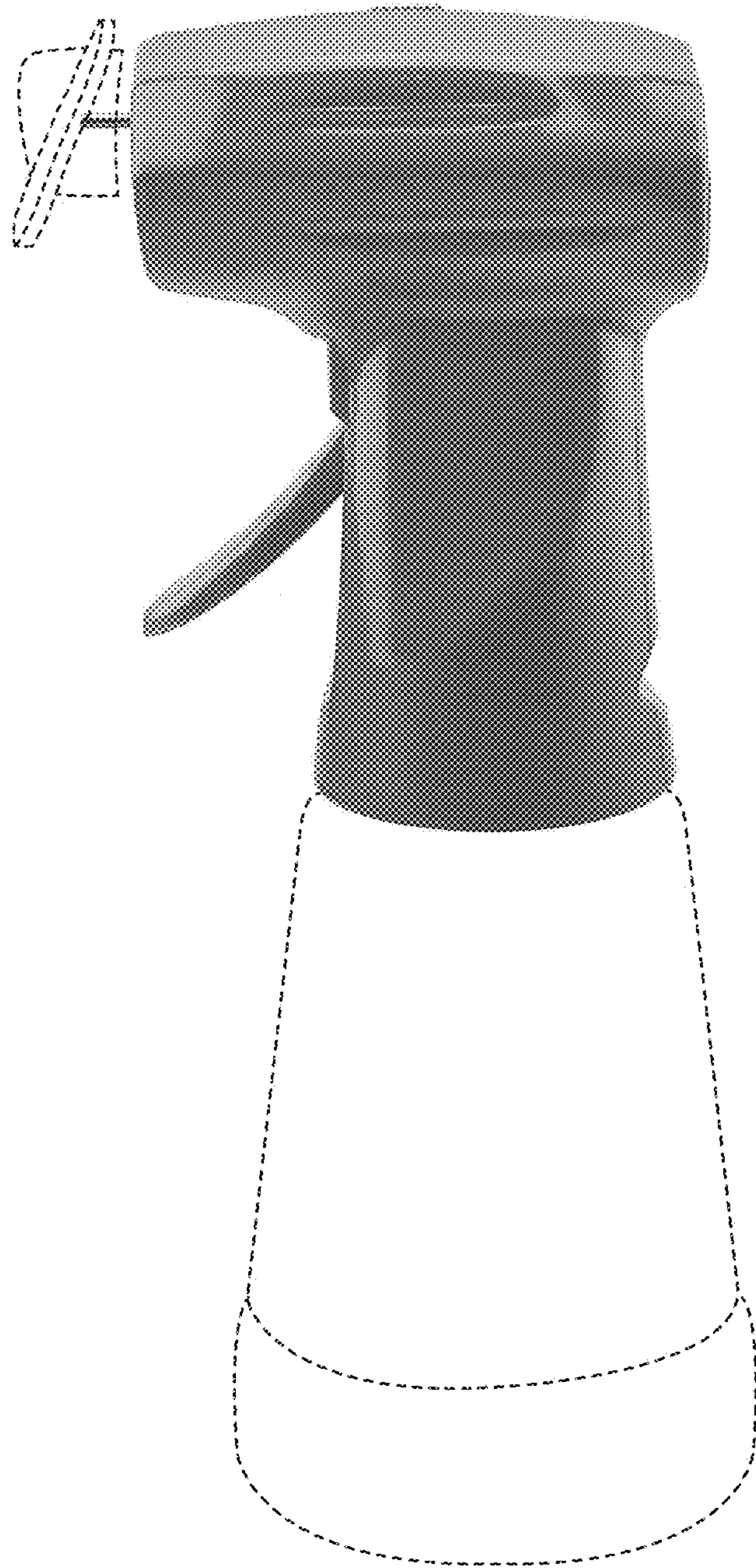


FIG. 5

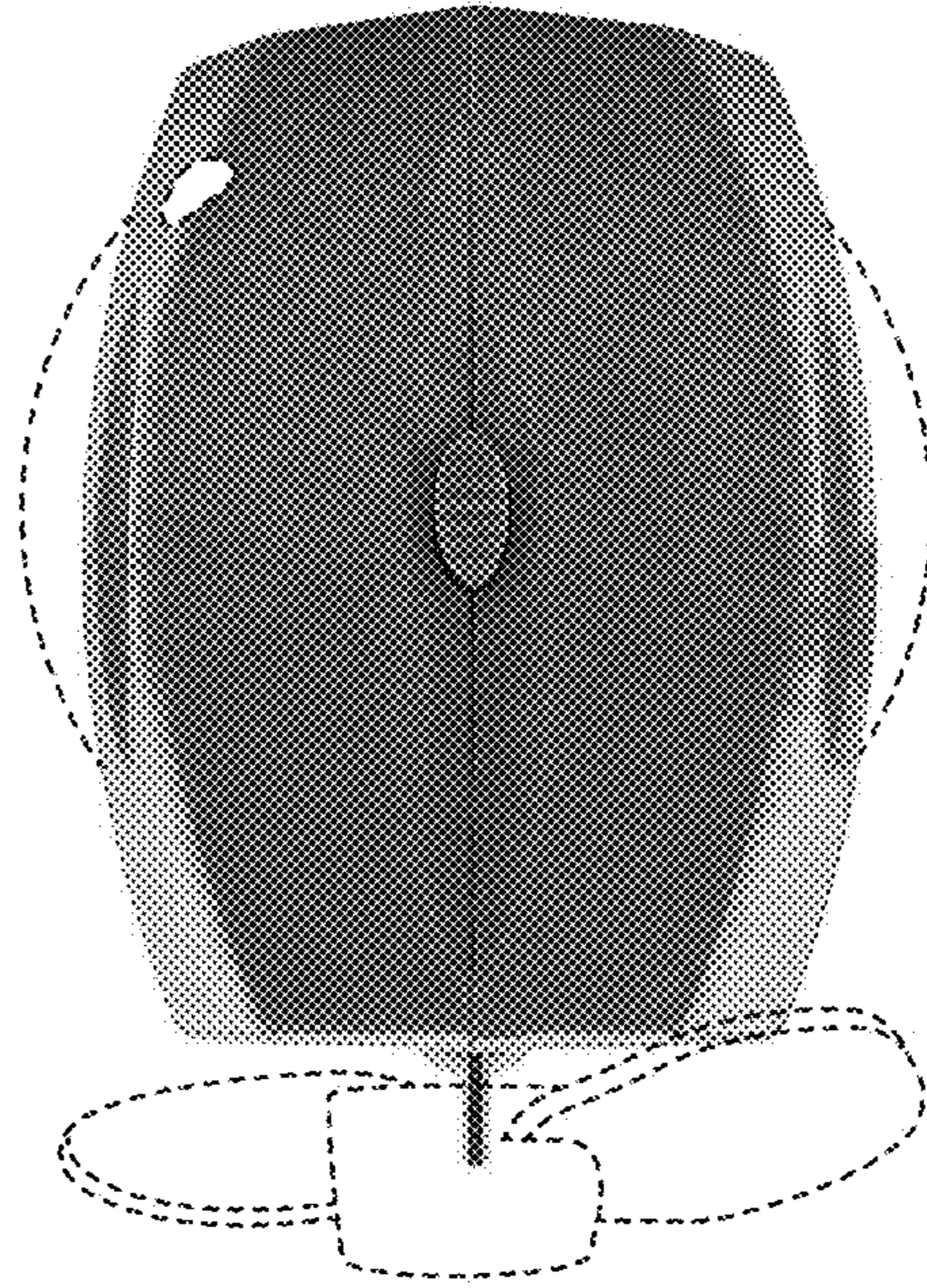


FIG. 6