



US00D880677S

(12) **United States Design Patent**  
**Gajewski**

(10) **Patent No.:** **US D880,677 S**

(45) **Date of Patent:** **\*\* \*Apr. 7, 2020**

(54) **COMBINATION CEILING FAN AND LIGHT FIXTURE**

(71) Applicant: **Minka Lighting, Inc.**, Corona, CA (US)

(72) Inventor: **Mark Gajewski**, Avila Beach, CA (US)

(73) Assignee: **Minka Lighting, Inc.**, Corona, CA (US)

(\*) Notice: This patent is subject to a terminal disclaimer.

(\*\*) Term: **15 Years**

(21) Appl. No.: **29/654,069**

(22) Filed: **Jun. 20, 2018**

**Related U.S. Application Data**

(63) Continuation-in-part of application No. 29/590,072, filed on Jan. 6, 2017, now abandoned.

(51) **LOC (12) Cl.** ..... **23-04**

(52) **U.S. Cl.**  
USPC ..... **D23/377**

(58) **Field of Classification Search**  
USPC ..... D23/370–377, 379–385, 411; D26/59  
CPC ..... F04D 25/088; F04D 25/06; F04D 29/00;  
F24F 7/00

See application file for complete search history.

(56) **References Cited**

**U.S. PATENT DOCUMENTS**

D346,858 S *	5/1994	Lee	.....	D23/377
D384,737 S *	10/1997	Gee, II	.....	D23/377
D396,530 S *	7/1998	Tai	.....	D23/377
D421,797 S *	3/2000	Collmar	.....	D23/377

D476,728 S *	7/2003	Gajewski	.....	D23/377
D519,625 S *	4/2006	Young	.....	D23/377
D576,265 S *	9/2008	Bucher	.....	D23/377
D590,489 S *	4/2009	Bucher	.....	D23/377
D670,802 S *	11/2012	Wang	.....	D23/413
D706,410 S *	6/2014	Pan	.....	D23/411
D741,470 S *	10/2015	Ertze	.....	D23/413
D750,215 S *	2/2016	Gajewski	.....	D23/385
D750,219 S *	2/2016	Gajewski	.....	D23/411
D758,560 S *	6/2016	Gajewski	.....	D23/385
D759,799 S *	6/2016	Wang	.....	D23/385
D770,027 S *	10/2016	Noble	.....	D23/385
D807,491 S *	1/2018	Haggar	.....	D23/377
D810,915 S *	2/2018	Guthrie	.....	D23/377
D833,596 S *	11/2018	Schulzman	.....	D23/377
2015/0198180 A1 *	7/2015	Gajewski	.....	F04D 25/088 416/247 R

\* cited by examiner

*Primary Examiner* — Janice Hallmark

(74) *Attorney, Agent, or Firm* — Seyfarth Shaw LLP

(57) **CLAIM**

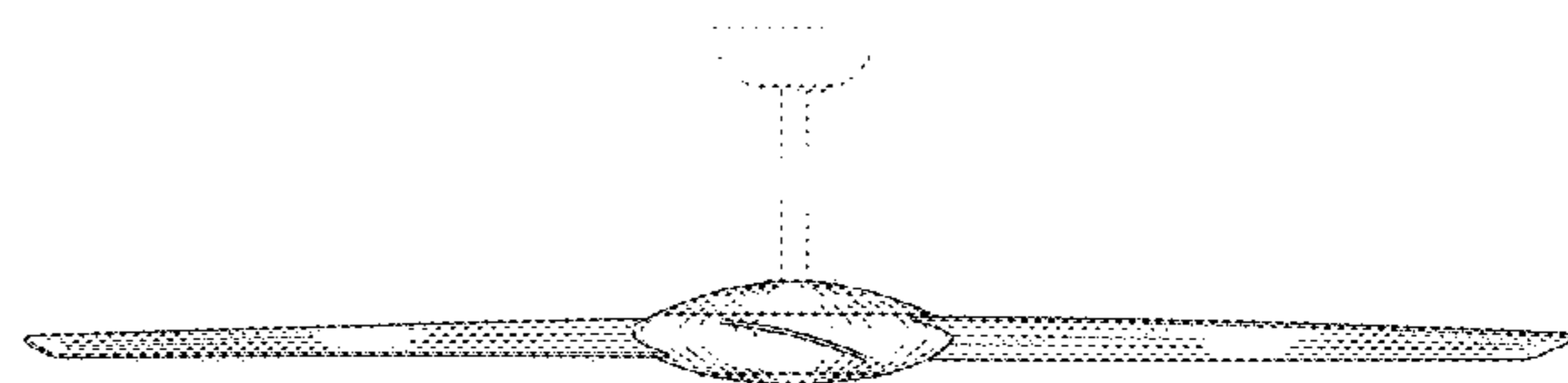
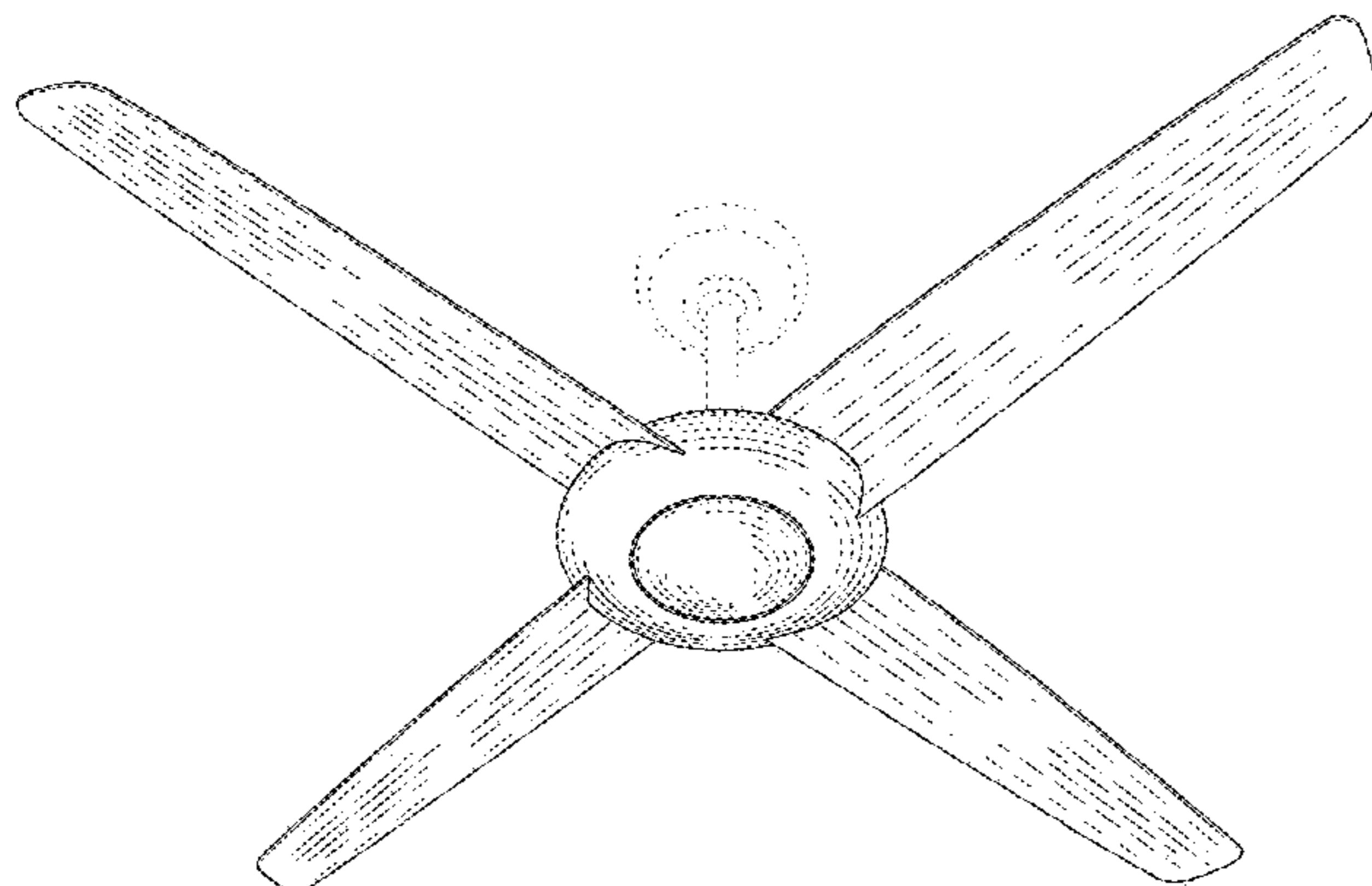
The ornamental design for a combination ceiling fan and light fixture, as shown and described.

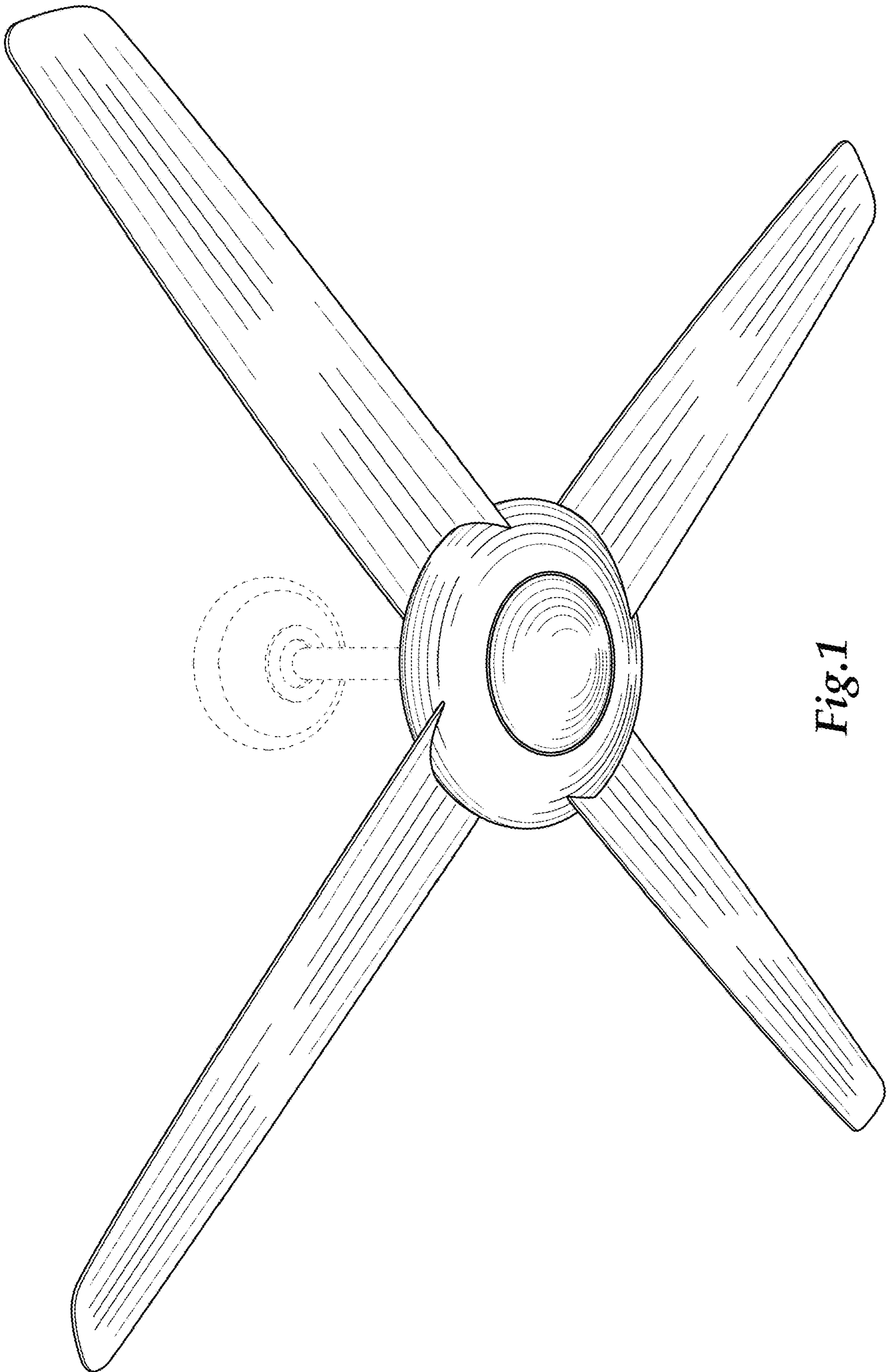
**DESCRIPTION**

FIG. 1 is a perspective view of a combination ceiling fan and light fixture in accordance with my design;  
FIG. 2 is a top plan view thereof;  
FIG. 3 is a bottom plan view thereof;  
FIG. 4 is a side elevation view of the combination ceiling fan and light fixture in accordance with my design, the opposite side being identical thereto; and,  
FIG. 5 is a front elevation view of the combination ceiling fan and light fixture in accordance with my design, the rear view being identical thereto.

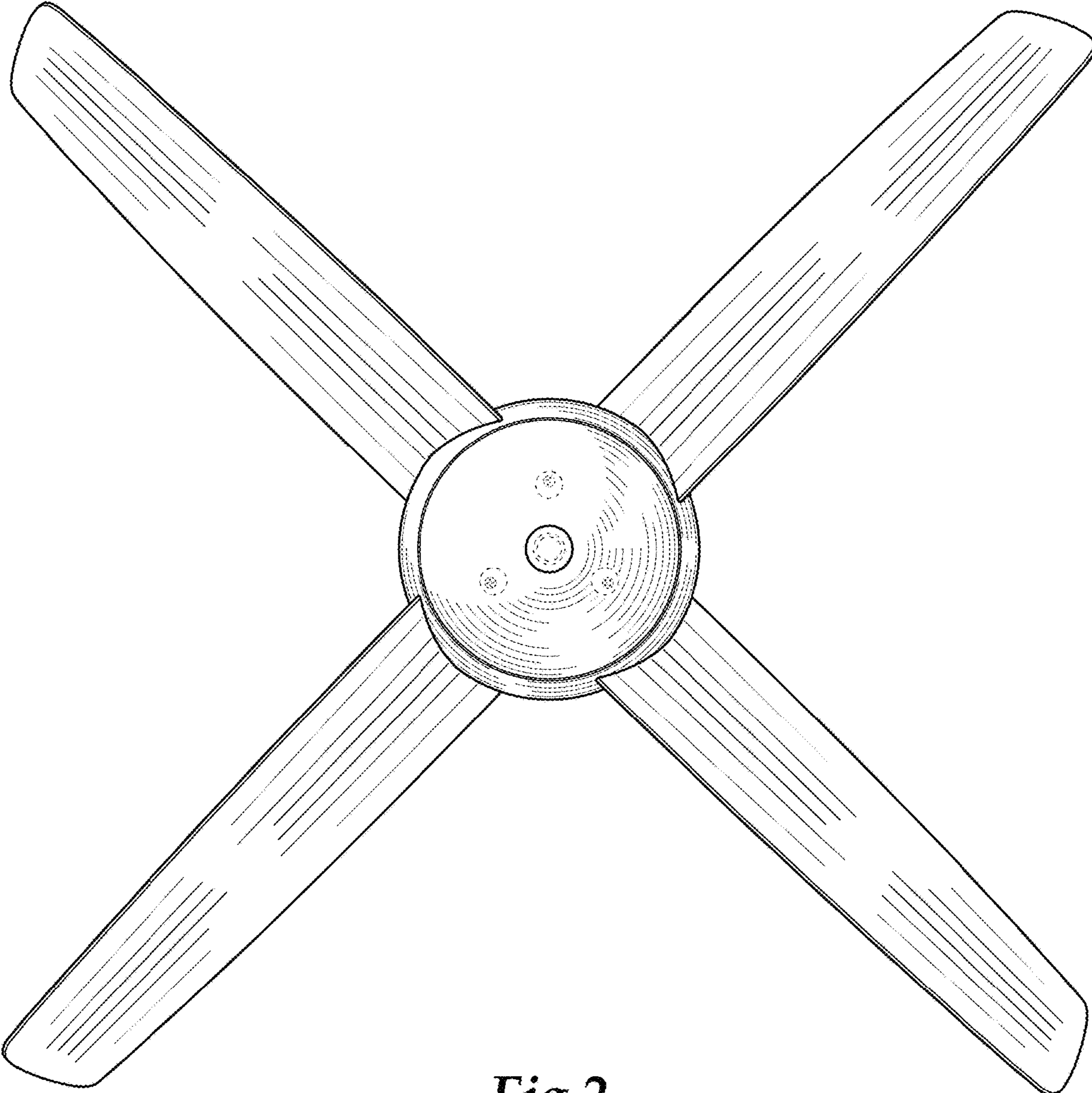
The broken lines in the drawings illustrate portions of the ceiling fan that form no part of the claimed design.

**1 Claim, 4 Drawing Sheets**

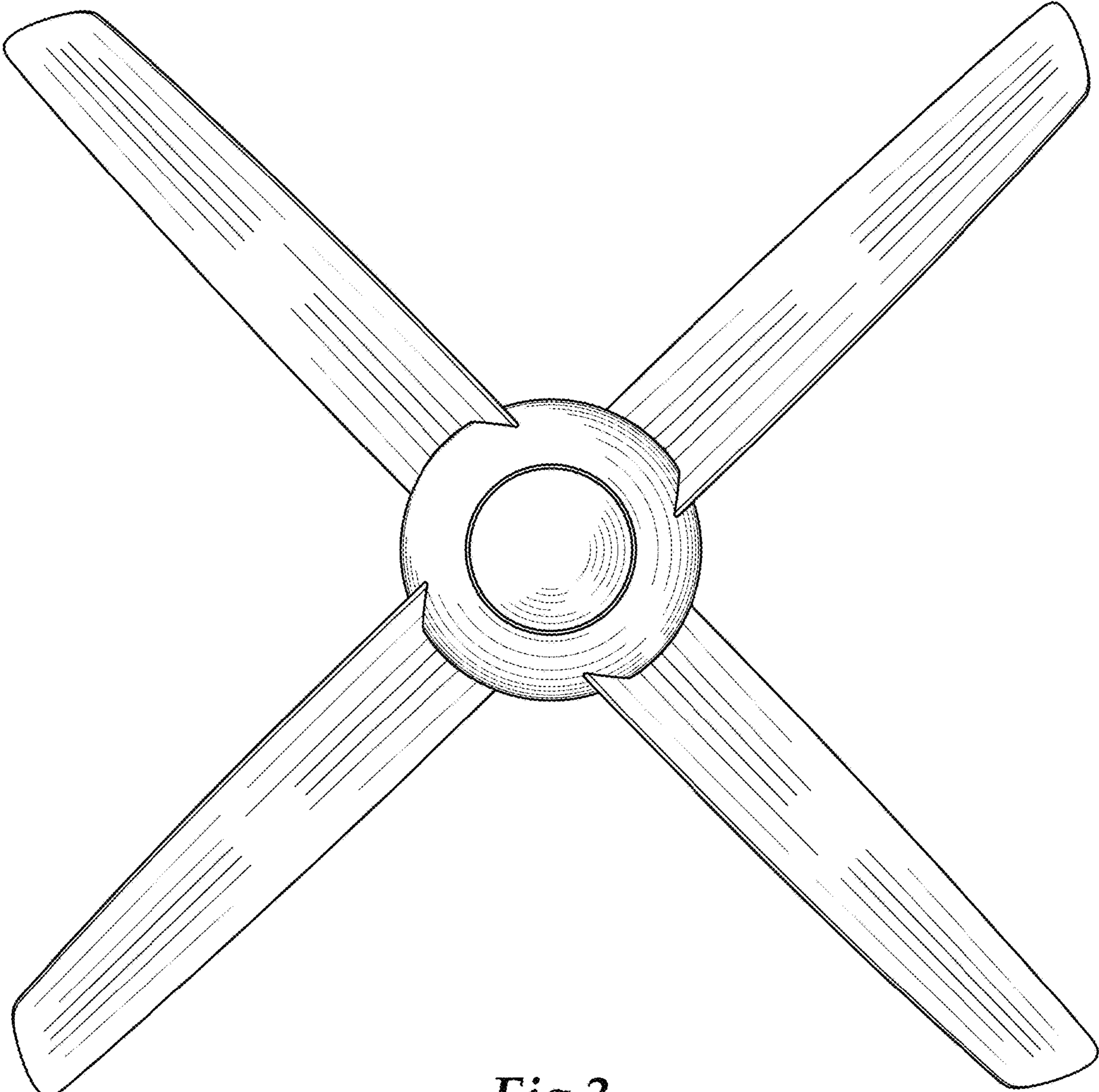




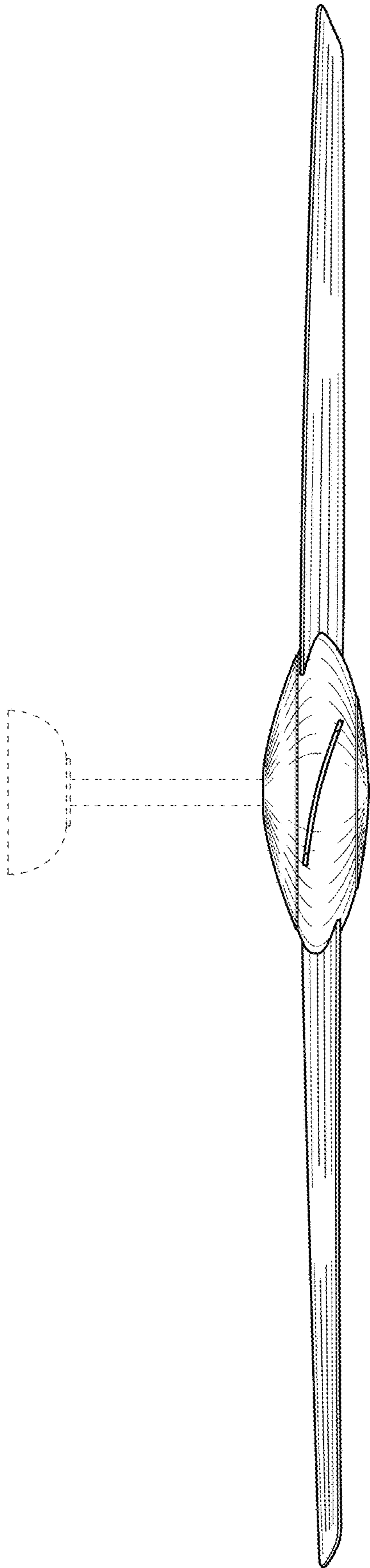
*Fig.1*



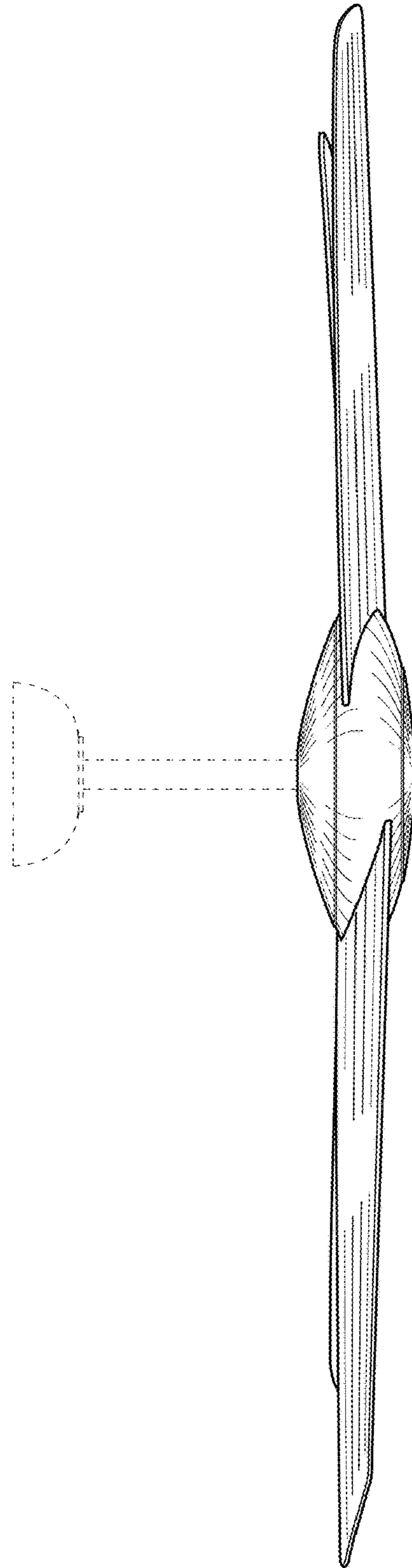
*Fig.2*



*Fig.3*



*Fig. 4*



*Fig. 5*