



US00D880675S

(12) **United States Design Patent** (10) **Patent No.:** **US D880,675 S**  
**Gobber et al.** (45) **Date of Patent:** **\*\* Apr. 7, 2020**

(54) **DIFFUSING EVAPORATOR OF ACTIVE SUBSTANCES**  
(71) Applicant: **ZOBELE HOLDING SPA**, Trento (IT)  
(72) Inventors: **Cedric Gobber**, Barcelona (ES); **Joaquim Llorente Alonso**, Barcelona (ES)  
(73) Assignee: **ZOBELE HOLDING S.P.A.** (IT)  
(\*\*) Term: **15 Years**  
(21) Appl. No.: **29/663,565**  
(22) Filed: **Sep. 17, 2018**  
(30) **Foreign Application Priority Data**

Mar. 19, 2018 (ES) ..... 0528055-3  
(51) **LOC (12) Cl.** ..... **23-04**  
(52) **U.S. Cl.**  
USPC ..... **D23/366**  
(58) **Field of Classification Search**  
USPC ..... D23/208, 355–369, 393; D14/209.1, D14/212–213; D8/1, 391  
CPC ..... A61L 9/02; A61L 9/03; A61L 9/12; A61L 9/035; A61L 9/125; A61L 2209/15; A61L 2209/16; A61L 2209/133; B05B 1/24  
See application file for complete search history.

(56) **References Cited**  
**U.S. PATENT DOCUMENTS**  
D544,592 S \* 6/2007 Caserta ..... D23/366  
D625,797 S \* 10/2010 Poves ..... D23/366

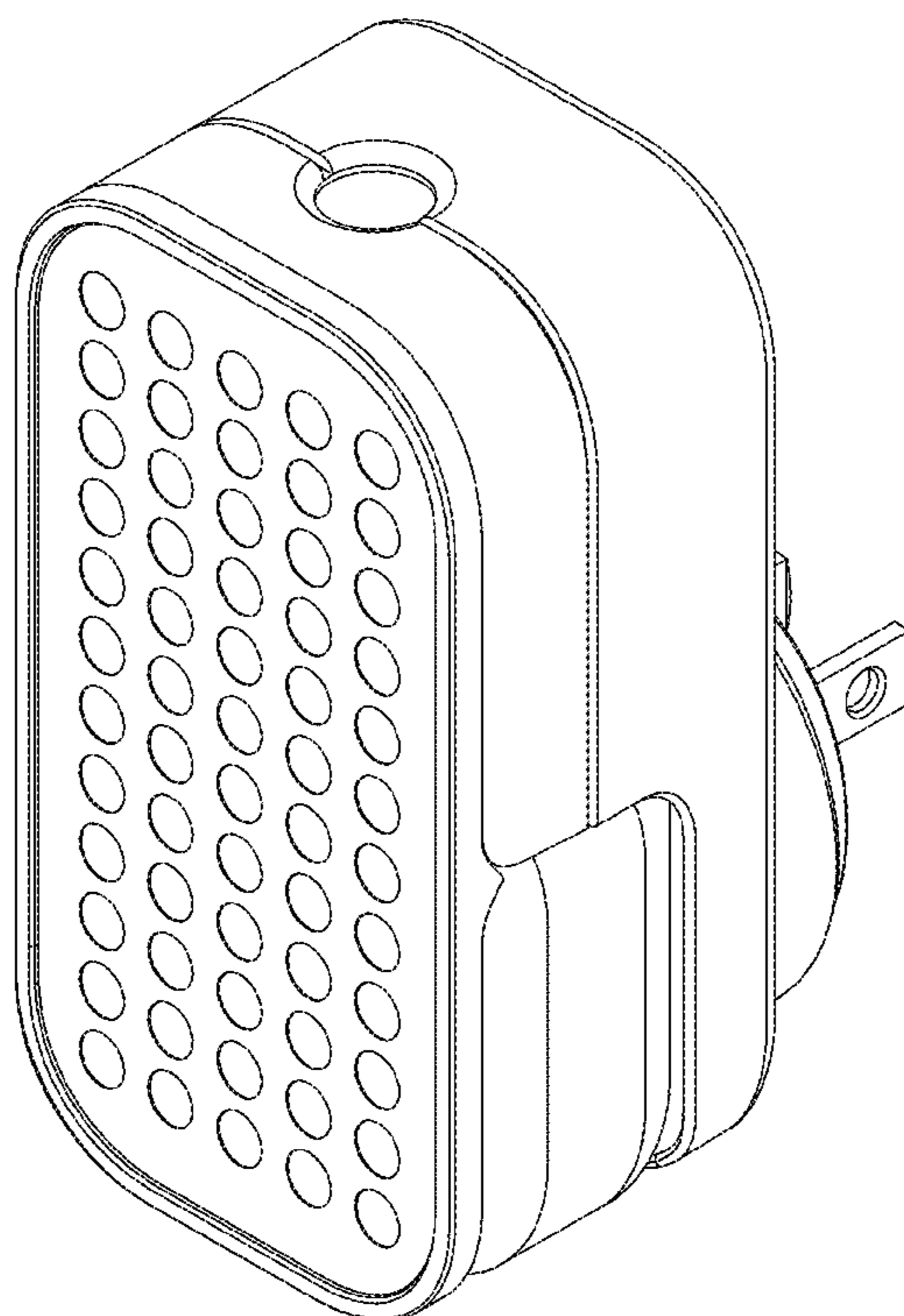
D663,816 S \* 7/2012 Tebe Poves ..... D23/366  
D677,774 S \* 3/2013 Postma ..... D23/360  
D681,790 S \* 5/2013 Jinsoo ..... D23/364  
D806,851 S \* 1/2018 Bischoff ..... D23/366  
D816,823 S \* 5/2018 Gobber ..... D23/366  
D825,047 S \* 8/2018 Brooks ..... D23/366  
D829,876 S \* 10/2018 Arinsmier ..... D23/366  
D849,922 S \* 5/2019 Gobber ..... D23/366

\* cited by examiner  
*Primary Examiner* — Sheryl Lane  
*Assistant Examiner* — Calvin E Vansant  
(74) *Attorney, Agent, or Firm* — Ostrolenk Faber LLP

(57) **CLAIM**  
The ornamental design for a diffusing evaporator of active substances, as shown and described.

**DESCRIPTION**  
FIG. 1 is a top, front and left side perspective illustration of an evaporator and air freshener, according to an aspect of our new design.  
FIG. 2 is a front view illustration thereof.  
FIG. 3 is a top view illustration thereof.  
FIG. 4 is a left side view illustration thereof.  
FIG. 5 is a rear view illustration thereof.  
FIG. 6 is a bottom view illustration thereof; and,  
FIG. 7 is a right side view illustration thereof.  
The broken lines depict unclaimed portions of the diffusing evaporator of active substances and form no part of the claimed design.

**1 Claim, 7 Drawing Sheets**



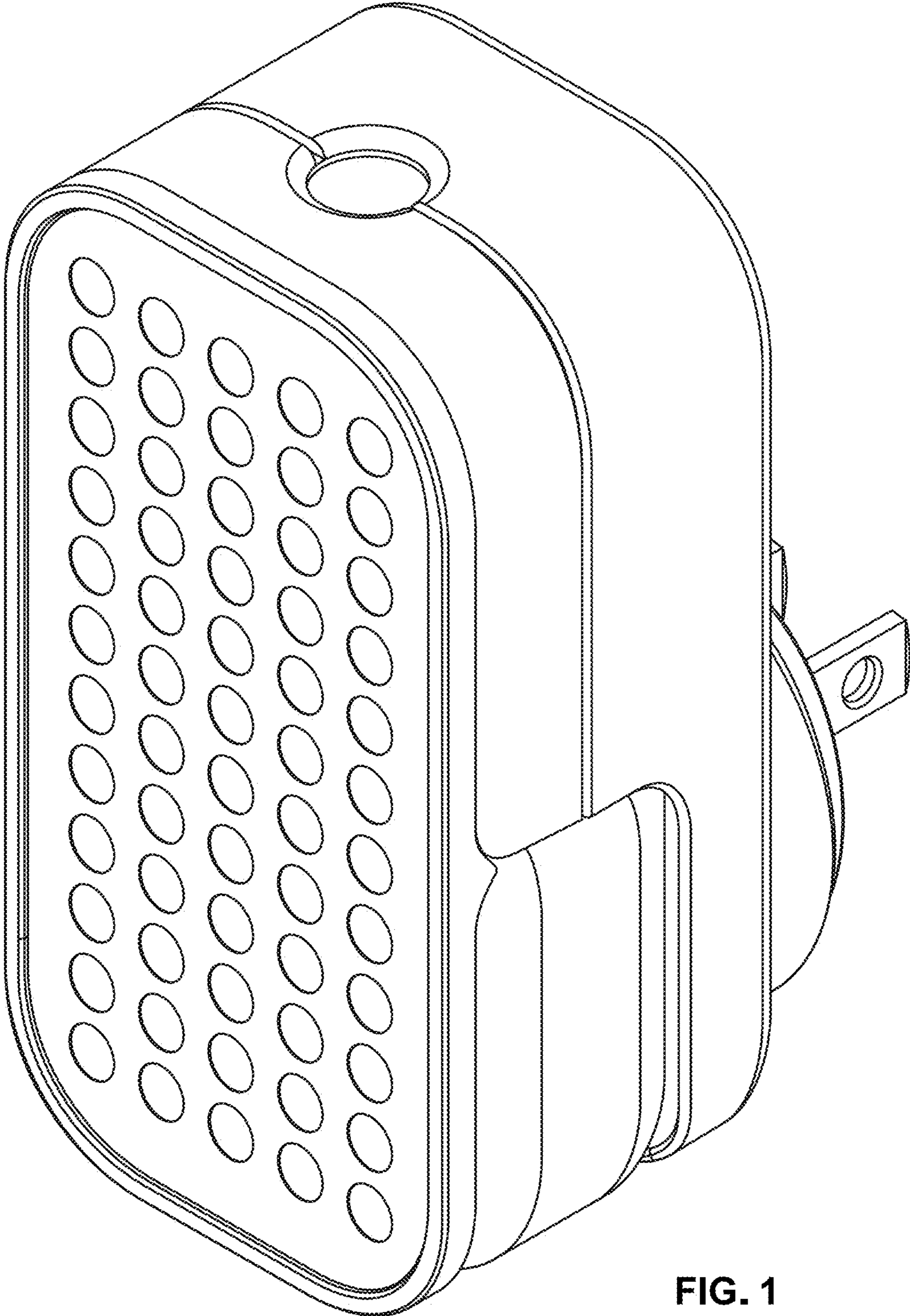


FIG. 1

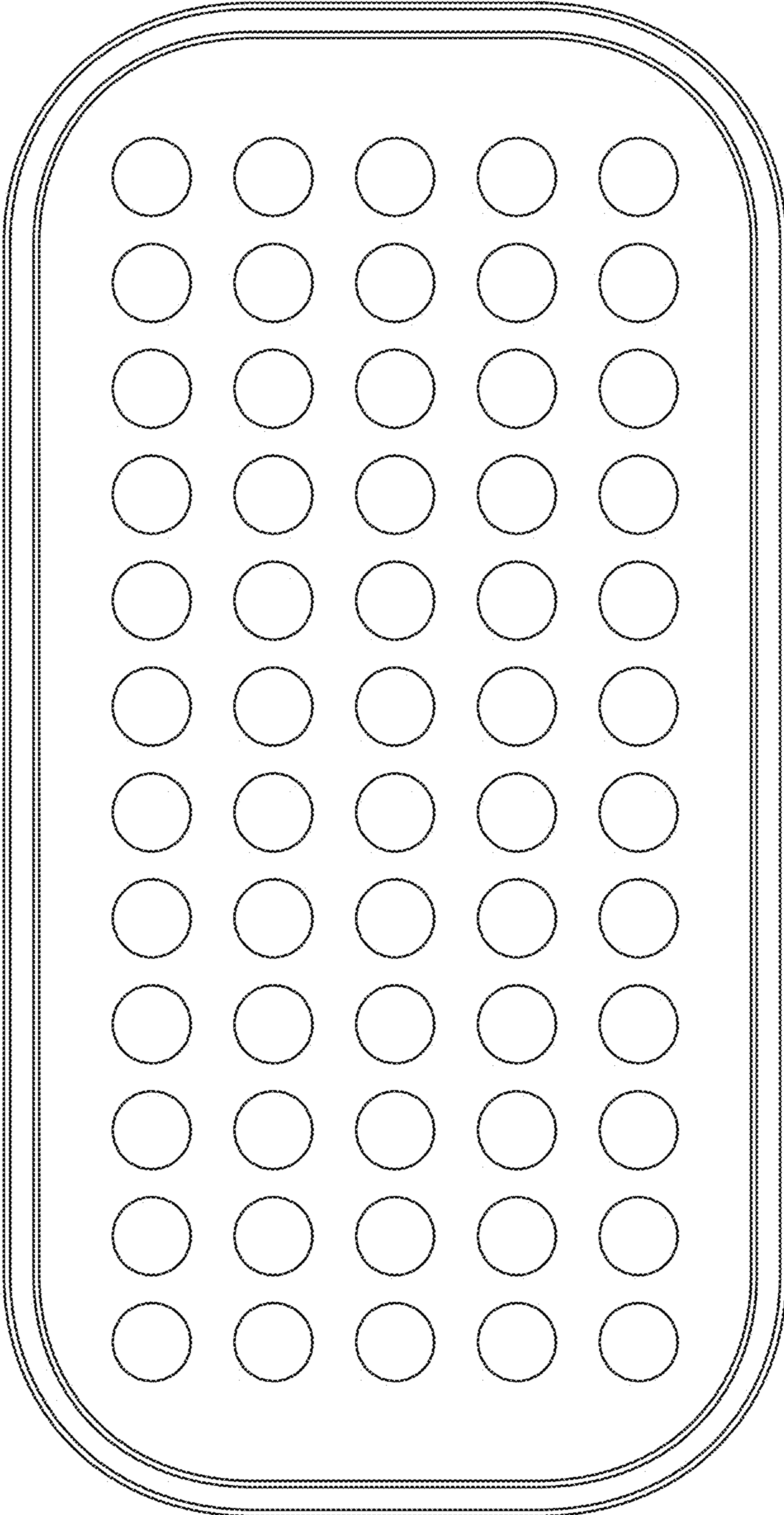


FIG. 2



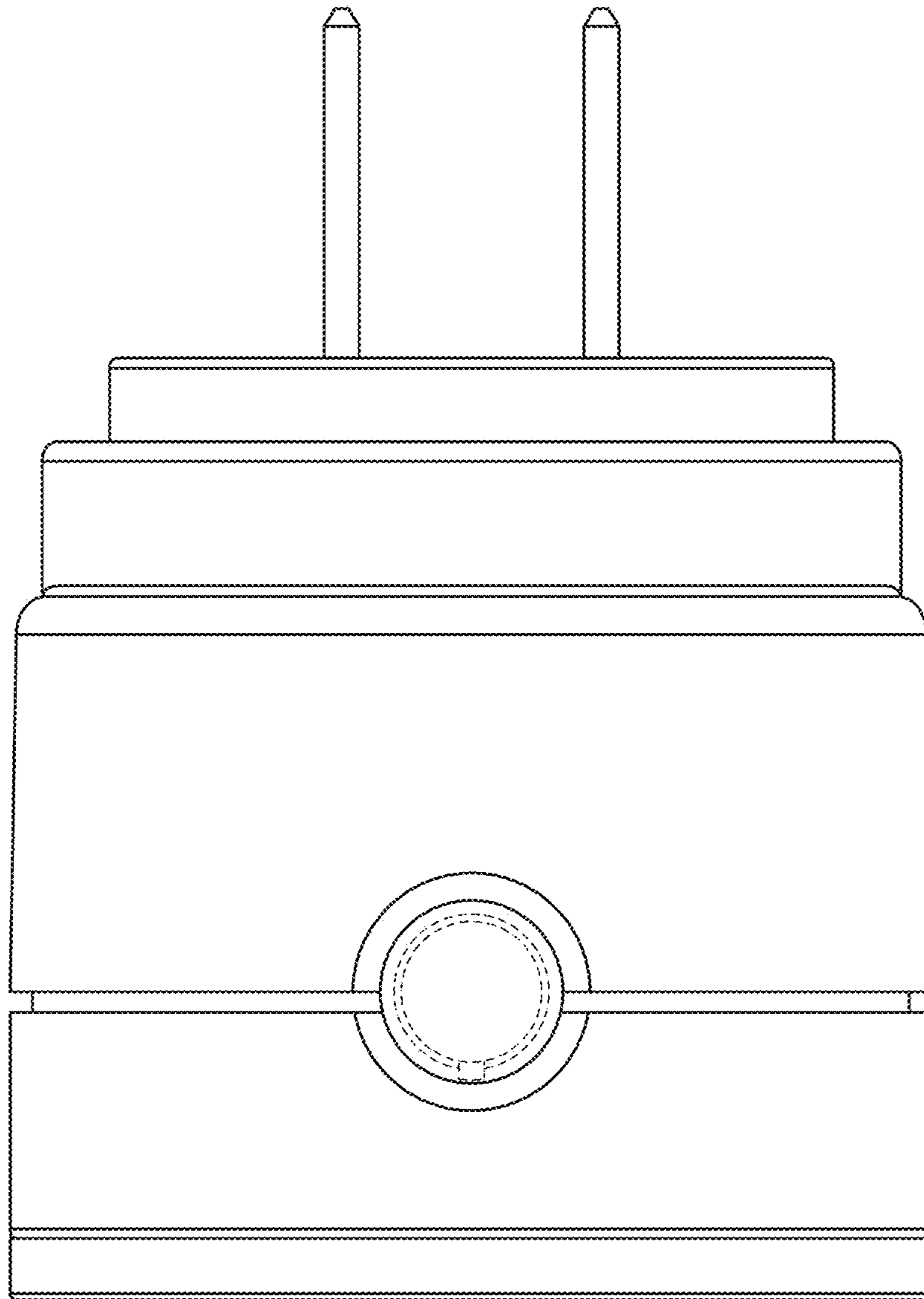


FIG. 3

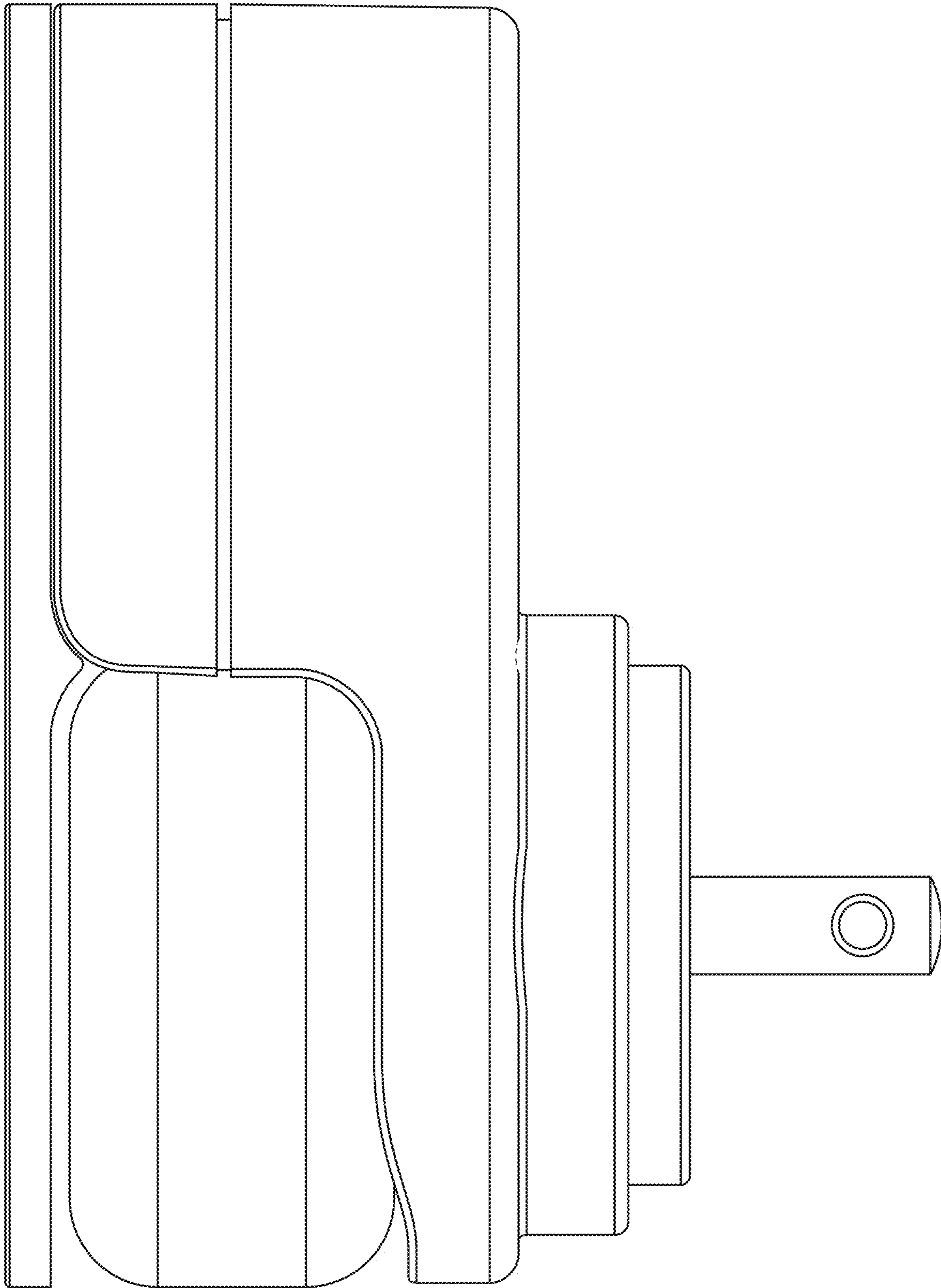


FIG. 4

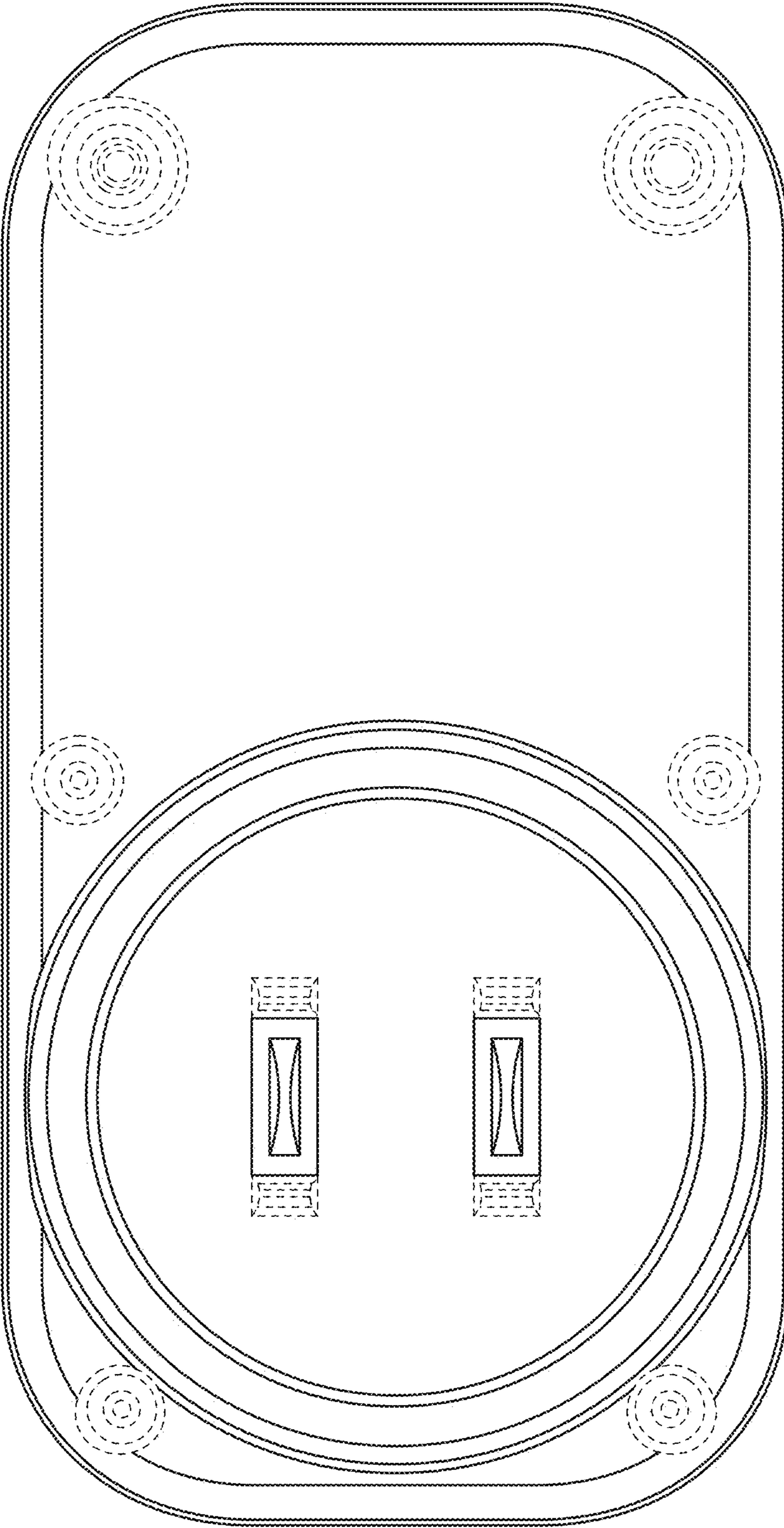


FIG. 5

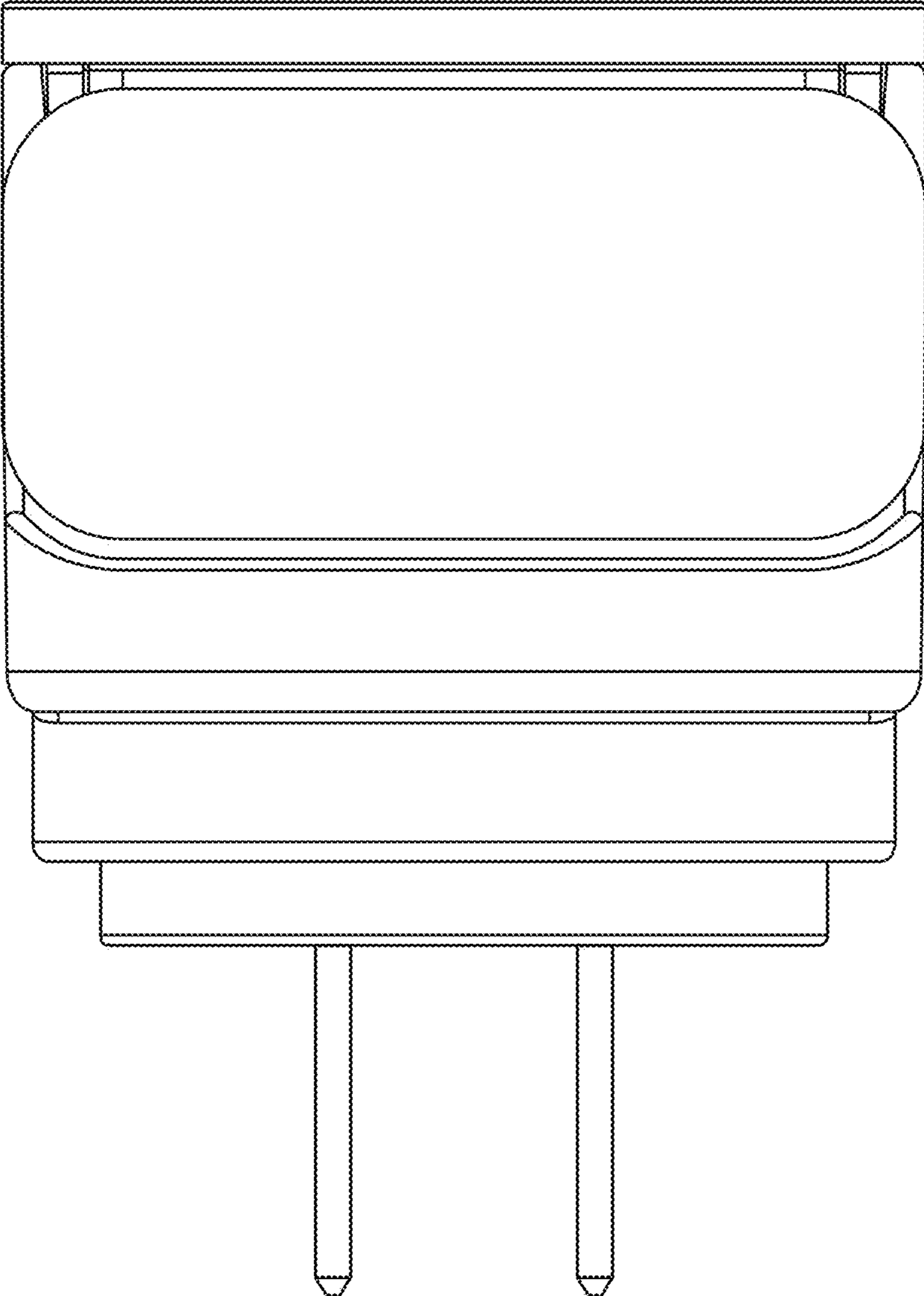


FIG. 6

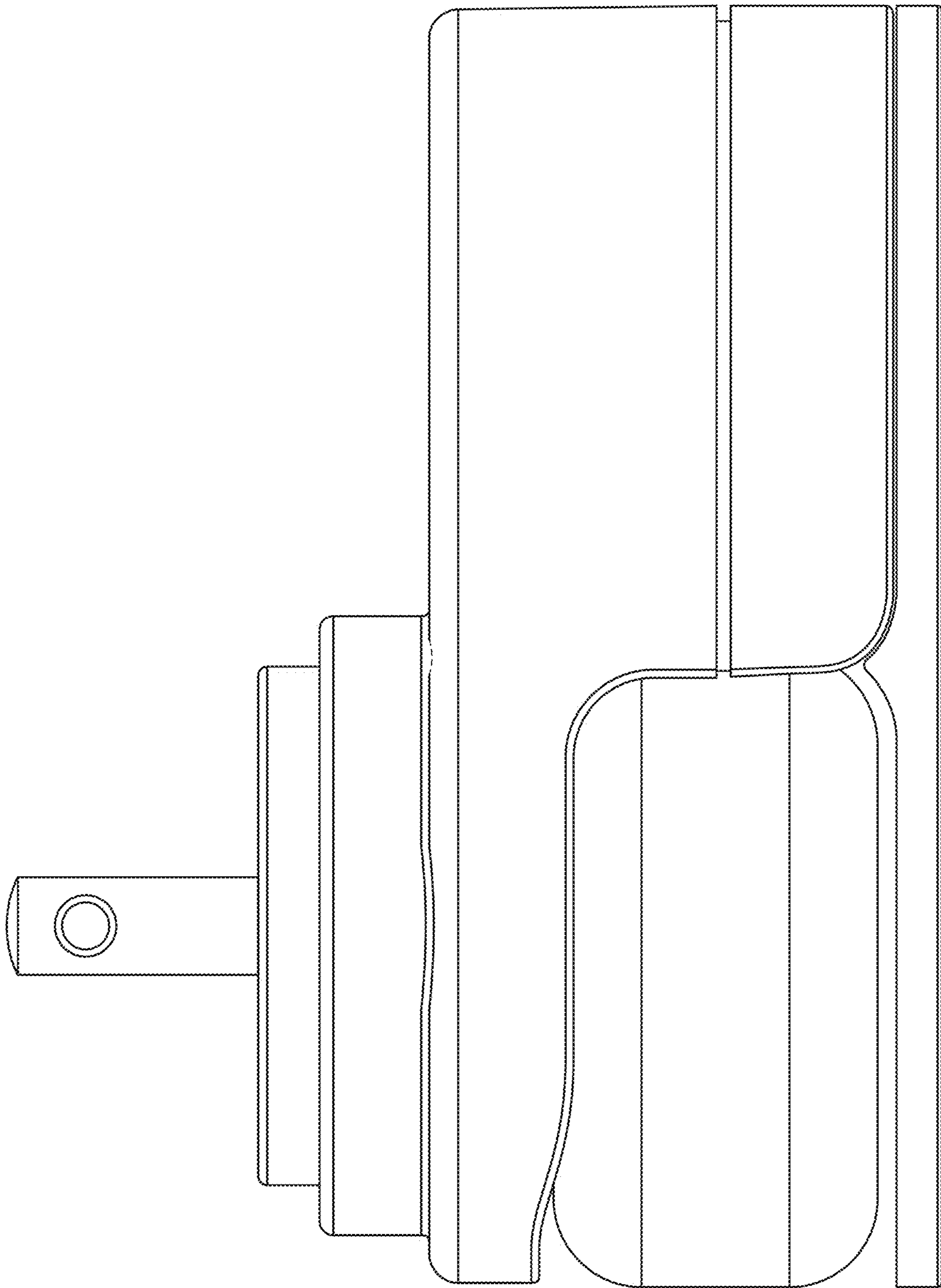


FIG. 7