



US00D880673S

(12) **United States Design Patent**
Gobber et al.

(10) **Patent No.:** **US D880,673 S**

(45) **Date of Patent:** **** Apr. 7, 2020**

(54) **DIFFUSING EVAPORATOR OF ACTIVE SUBSTANCES**

(71) Applicant: **ZOBELE HOLDING SPA**, Trento (IT)

(72) Inventors: **Cedric Gobber**, Barcelona (ES);
Joaquim Llorente Alonso, Barcelona (ES)

(73) Assignee: **ZOBELE HOLDING S.P.A.** (IT)

(**) Term: **15 Years**

(21) Appl. No.: **29/663,537**

(22) Filed: **Sep. 17, 2018**

(30) **Foreign Application Priority Data**

Mar. 19, 2018 (ES) D0528055

(51) **LOC (12) Cl.** **23-04**

(52) **U.S. Cl.**
USPC **D23/366**

(58) **Field of Classification Search**
USPC D23/208, 355-369
CPC A61L 9/02; A61L 9/03; A61L 9/12; A61L 9/035; A61L 9/125
See application file for complete search history.

(56) **References Cited**

U.S. PATENT DOCUMENTS

D574,072 S *	7/2008	Carlson	D23/364
D604,824 S *	11/2009	Paolazzi	D23/366
D614,275 S *	4/2010	Davis	D23/363
D632,377 S *	2/2011	Blachford	D23/366
D632,773 S *	2/2011	Abbondanzio	D23/366
D637,274 S *	5/2011	Chan	D23/364

D652,500 S *	1/2012	Abbondanzio	D23/366
D679,793 S *	4/2013	Feiz	D23/366
D713,517 S *	9/2014	Dodge	D23/366
D750,210 S *	2/2016	Sayers	D23/366
D764,043 S *	8/2016	Sanders	D23/366
D764,650 S *	8/2016	Sanders	D23/366
D787,948 S *	5/2017	Scott	D9/689
D847,325 S *	4/2019	Peach	D23/366
D852,938 S *	7/2019	Schumacher	D23/366
D853,548 S *	7/2019	Schumacher	D23/366
D854,139 S *	7/2019	Jonsson	D23/366
2014/0069957 A1 *	3/2014	Baranowski	A01M 1/2038 222/183
2017/0340765 A1 *	11/2017	Adair	B01F 3/04085

* cited by examiner

Primary Examiner — Sheryl Lane

Assistant Examiner — Calvin E Vasant

(74) *Attorney, Agent, or Firm* — Ostrolenk Faber LLP

(57) **CLAIM**

The ornamental design for a diffusing evaporator of active substances, as shown and described.

DESCRIPTION

FIG. 1 is a top, front and left side perspective illustration of an evaporator and air freshener, according to an aspect of our new design.

FIG. 2 is a front view illustration thereof.

FIG. 3 is a top view illustration thereof.

FIG. 4 is a left side view illustration thereof.

FIG. 5 is a bottom view illustration thereof; and,

FIG. 6 is a right side view illustration thereof.

The broken lines depict unclaimed portions of the diffusing evaporator of active substances and form no part of the claimed design.

1 Claim, 6 Drawing Sheets

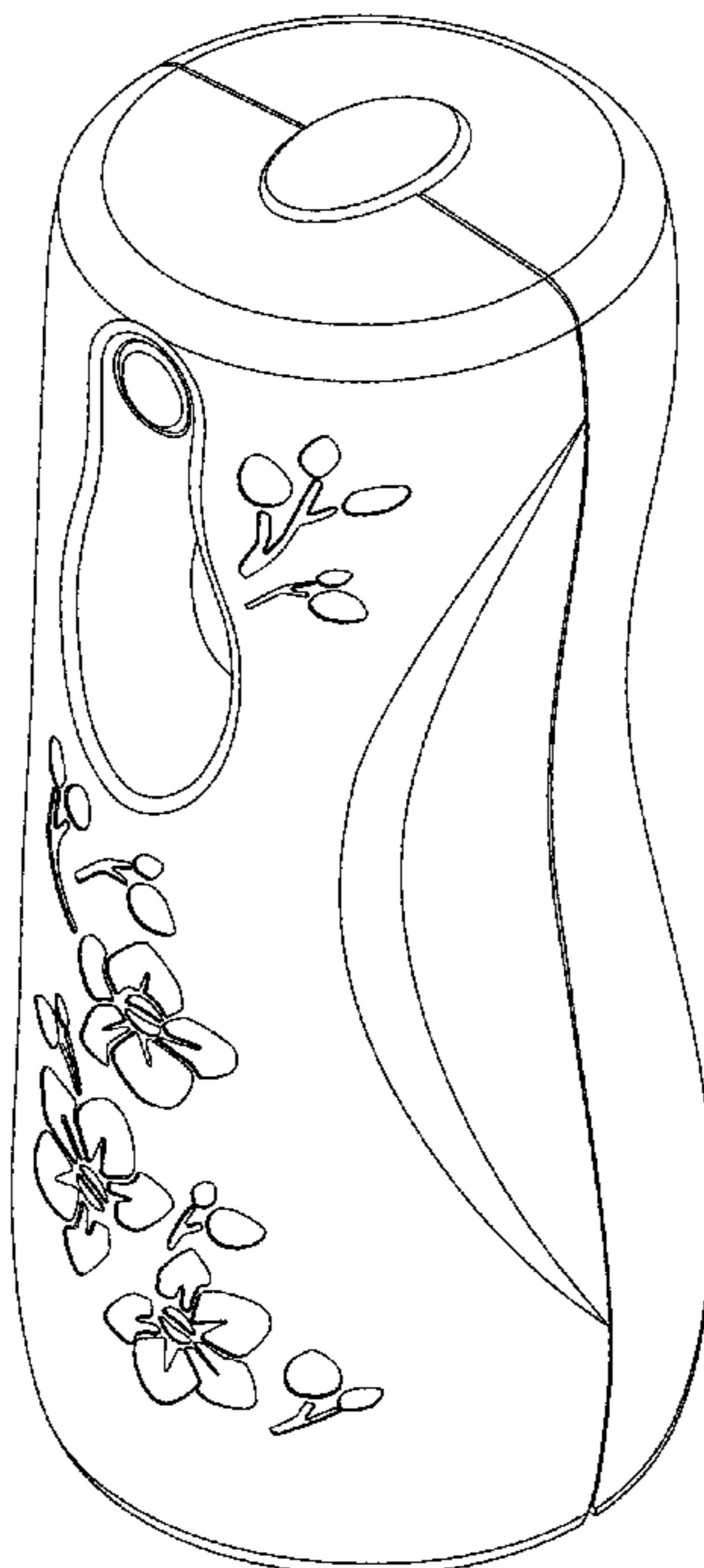




FIG. 1

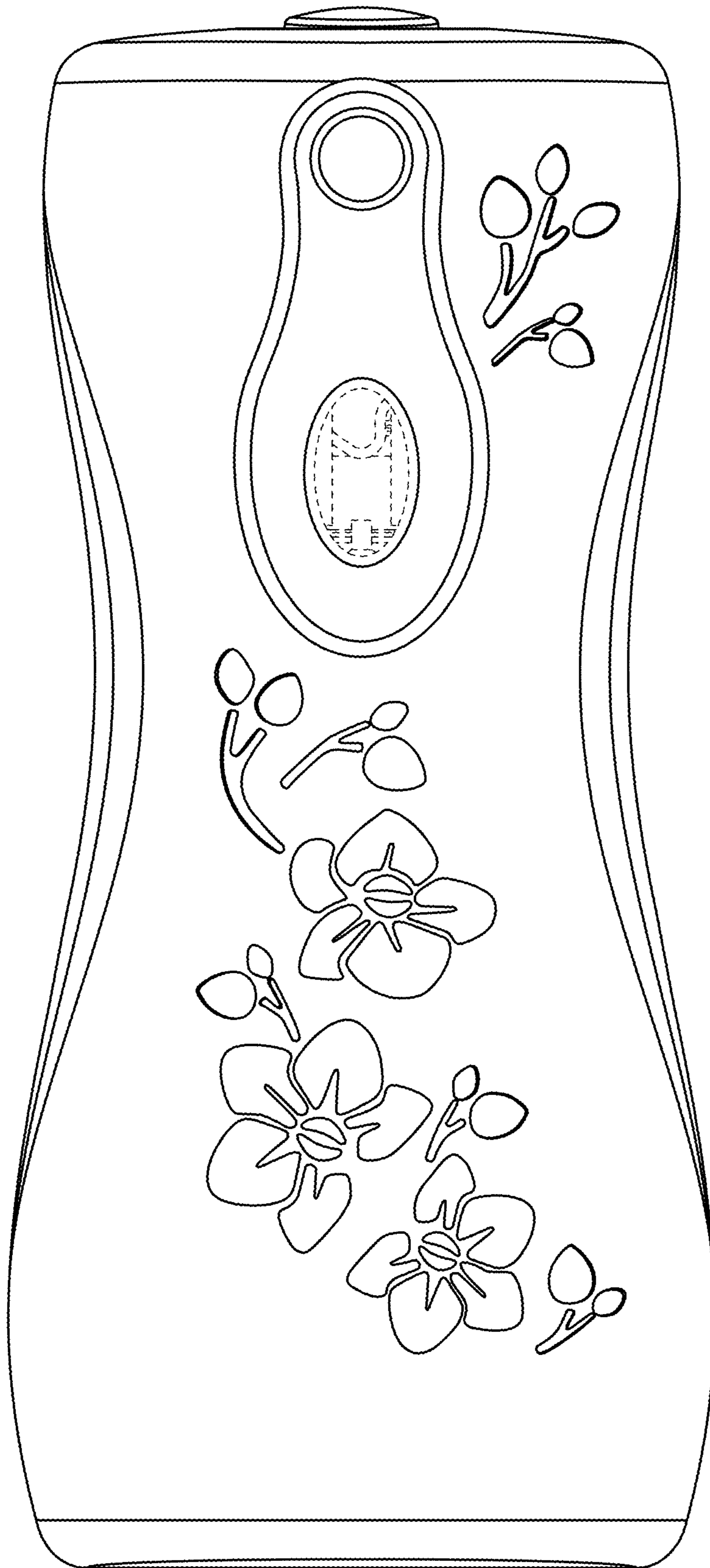


FIG. 2

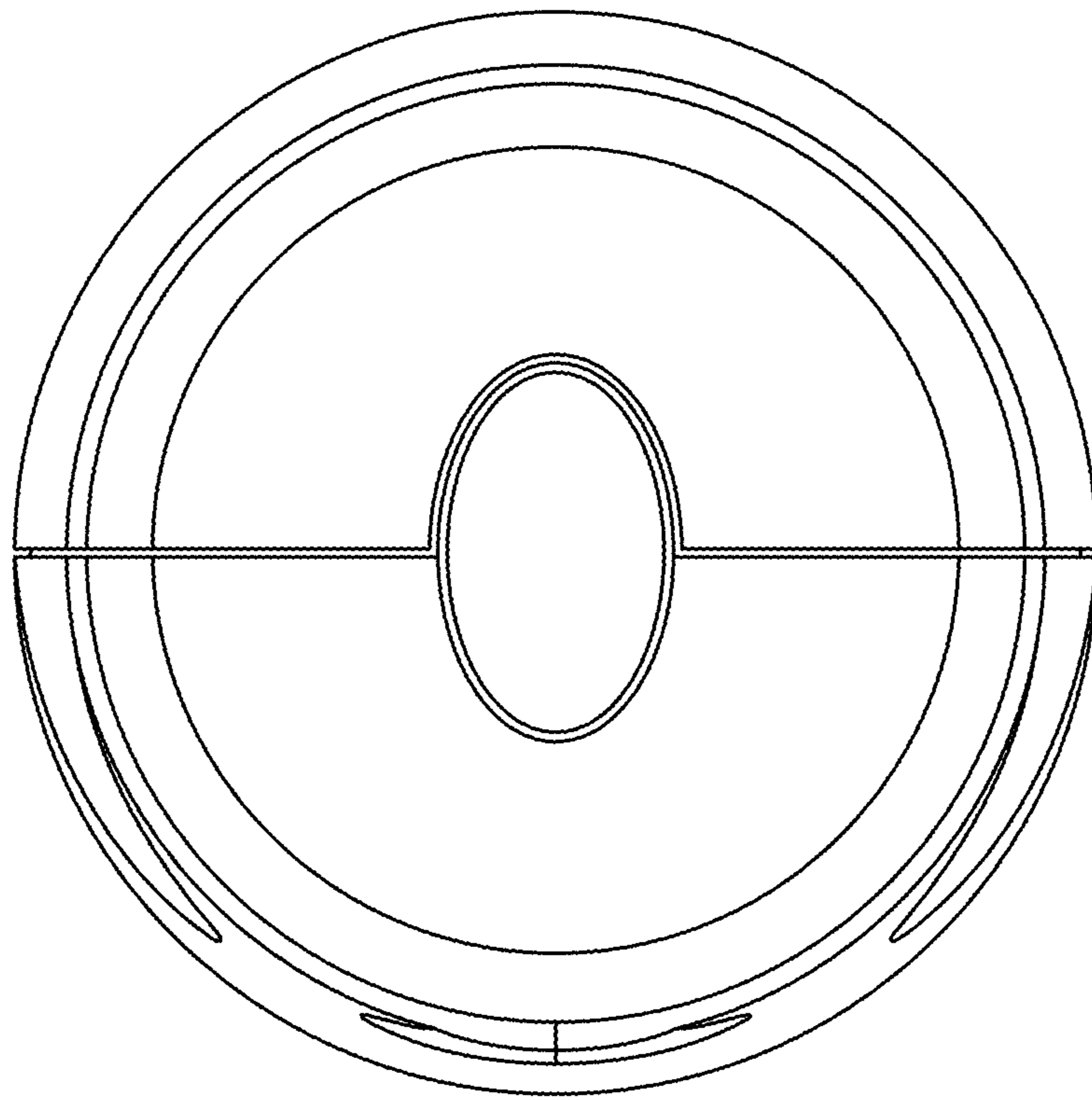


FIG. 3

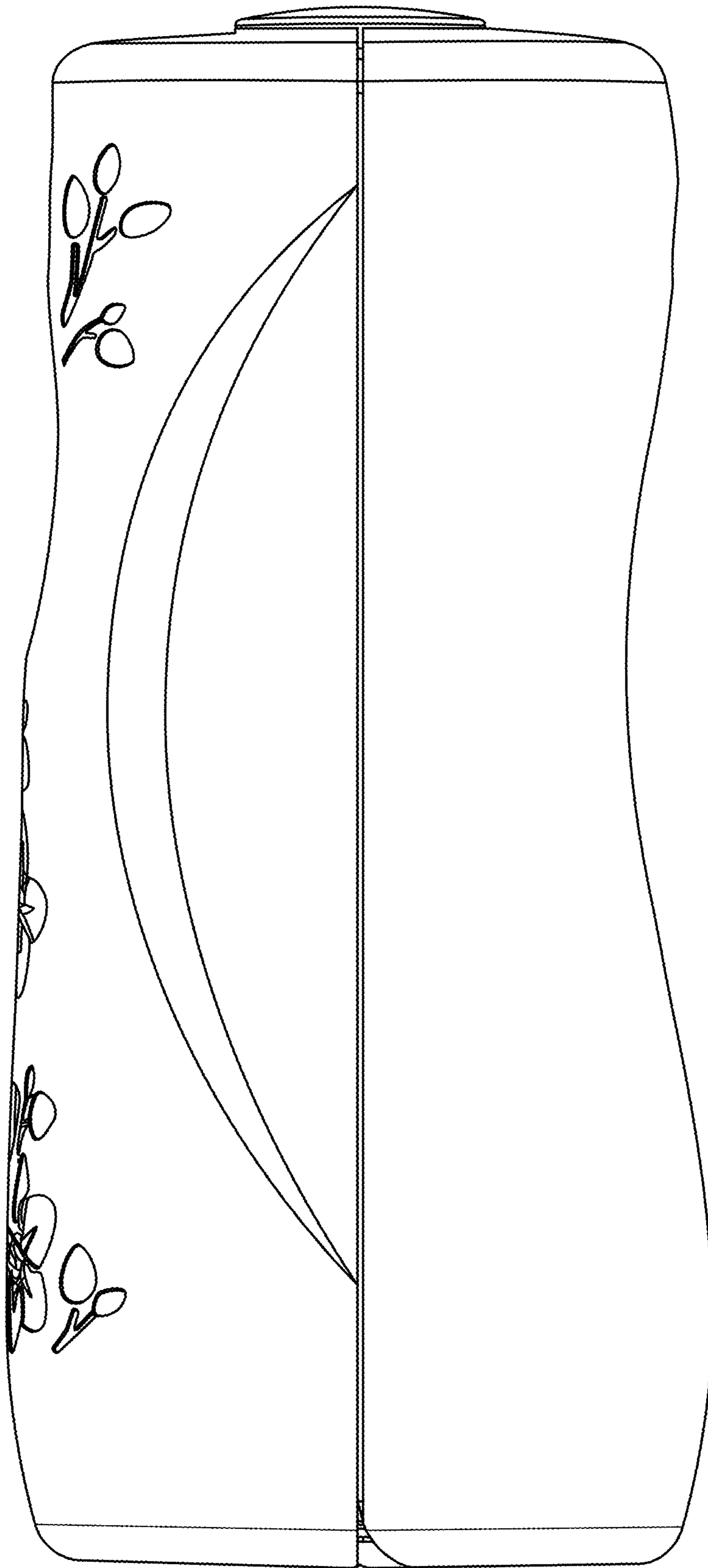


FIG. 4

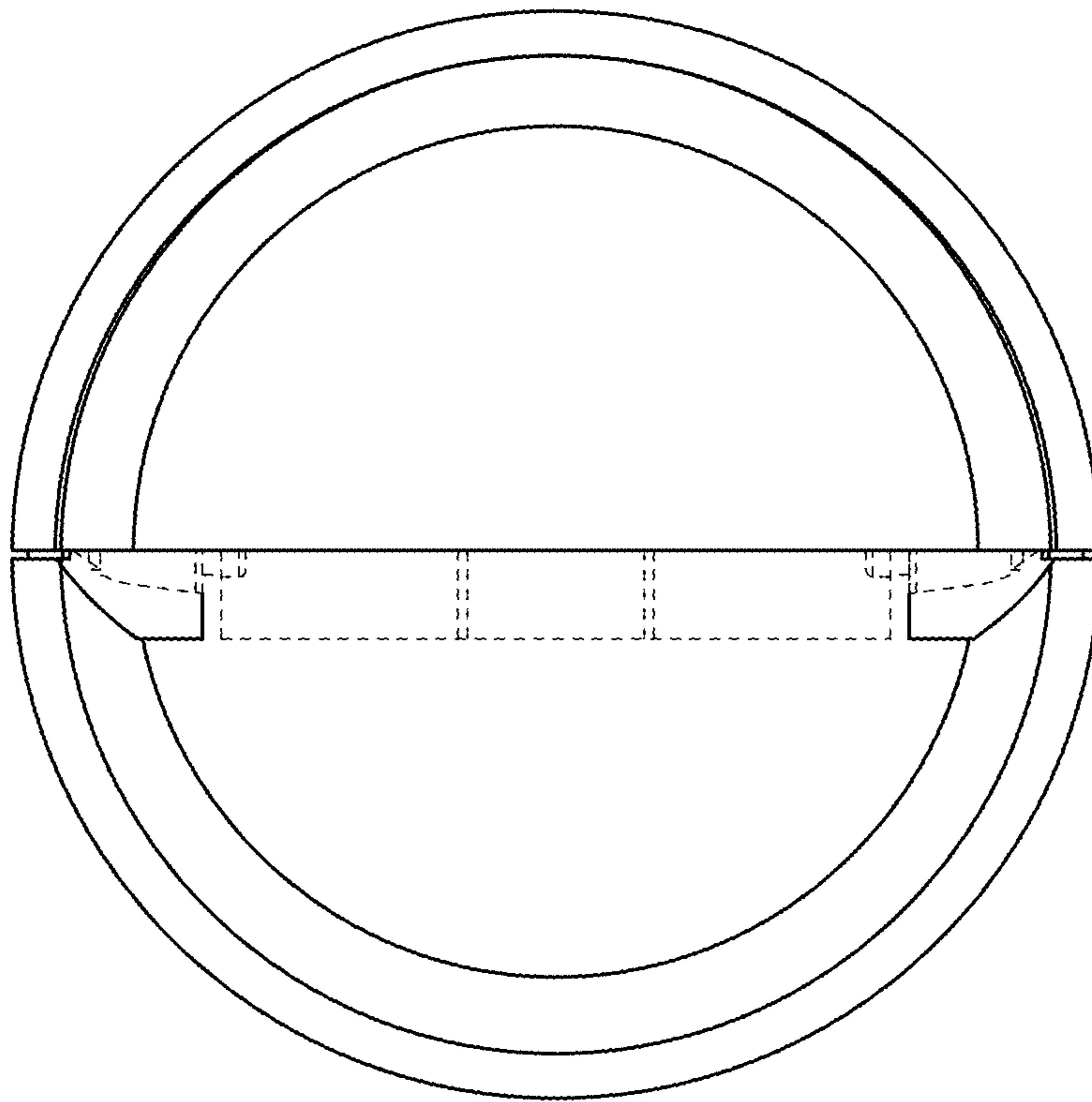


FIG. 5

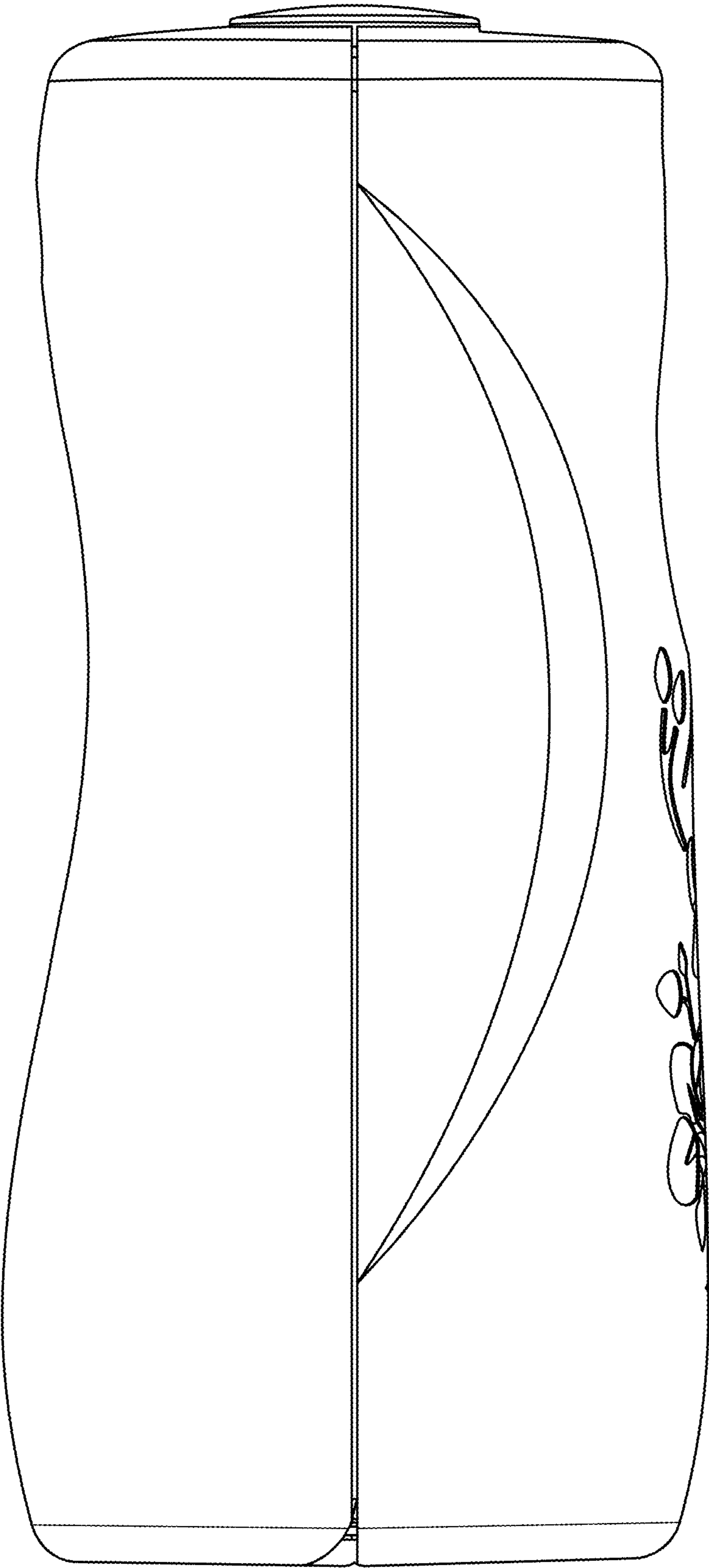


FIG. 6