



US00D880672S

(12) **United States Design Patent**
Gobber et al.

(10) **Patent No.:** **US D880,672 S**
(45) **Date of Patent:** **** Apr. 7, 2020**

(54) **AIR FRESHENER**
(71) Applicant: **ZOBELE HOLDING SPA**, Trento (IT)
(72) Inventors: **Cedric Gobber**, Barcelona (ES);
Joaquim Llorente Alonso, Barcelona
(ES)
(73) Assignee: **ZOBELE HOLDING S.P.A.** (IT)
(**) Term: **15 Years**
(21) Appl. No.: **29/659,319**
(22) Filed: **Aug. 8, 2018**

D366,113 S * 1/1996 Morgan A61L 9/03
D11/222
D518,606 S * 4/2006 Cross A61L 9/12
D21/718
D631,954 S * 2/2011 Bertassi D23/366
D803,377 S * 11/2017 Gobber A61L 9/122
D23/366
2008/0245797 A1* 10/2008 Berge A01M 1/2005
220/305
2010/0314461 A1* 12/2010 Gruenbacher A61L 9/12
239/6
2016/0256585 A1* 9/2016 Esses A61L 9/03
2017/0112955 A1* 4/2017 Bourne A61L 9/125

* cited by examiner

(30) **Foreign Application Priority Data**

Feb. 8, 2018 (ES) 0527878

(51) **LOC (12) Cl.** **23-04**
(52) **U.S. Cl.**
USPC **D23/366**

(58) **Field of Classification Search**
USPC D23/208, 355-369; D14/209.1, 212-213;
D8/1, 391
CPC A61L 9/02; A61L 9/03; A61L 9/12; A61L
9/035; A61L 9/125; A61L 2209/15; A61L
2209/16
See application file for complete search history.

(56) **References Cited**

U.S. PATENT DOCUMENTS

D187,372 S * 3/1960 Dailey D24/101
4,808,347 A * 2/1989 Dawn A61L 9/122
261/30
D324,910 S * 3/1992 Portis A61L 9/125
D23/366

Primary Examiner — Sheryl Lane
Assistant Examiner — Calvin E Vansant
(74) *Attorney, Agent, or Firm* — Ostrolenk Faber LLP

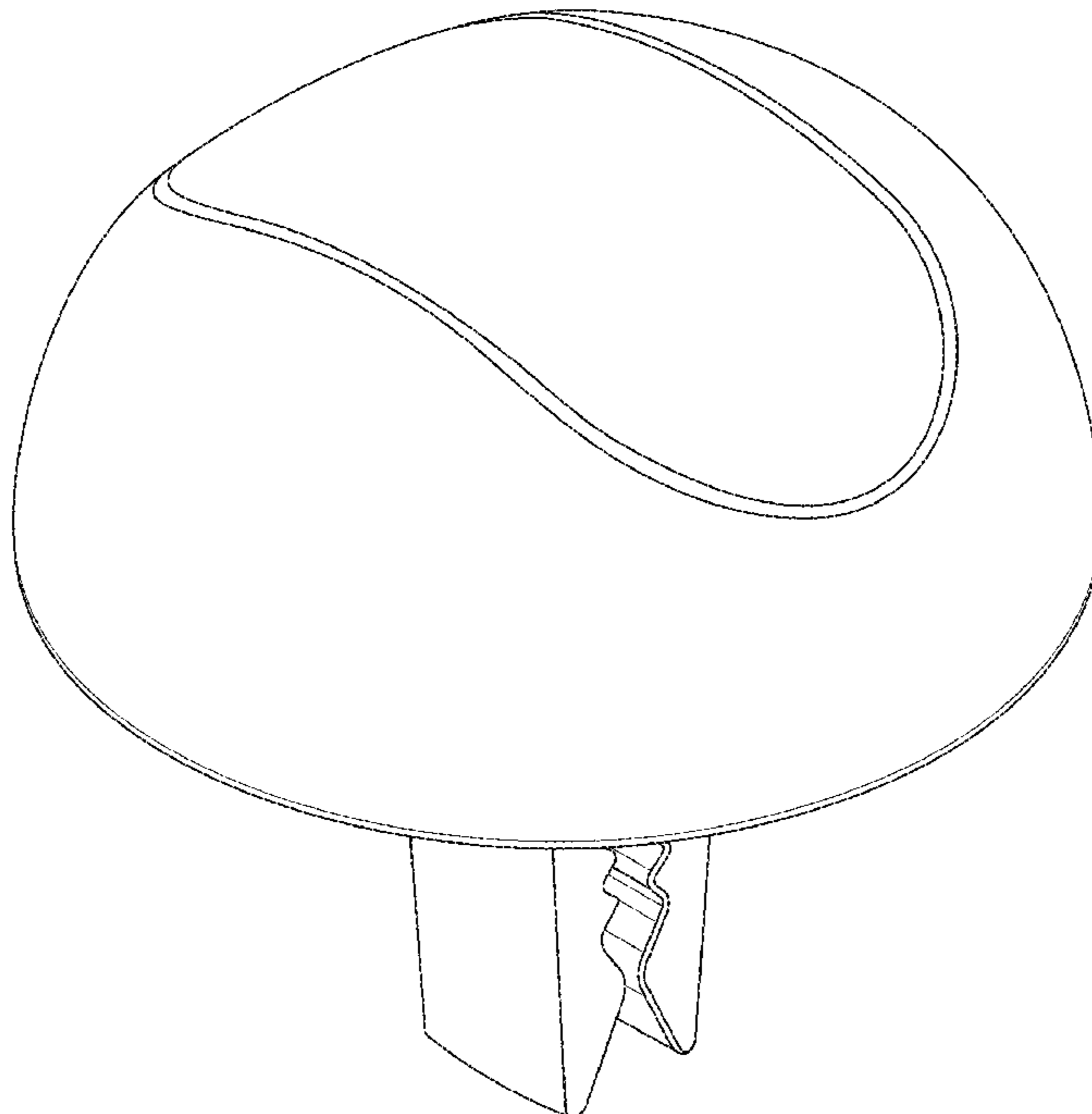
(57) **CLAIM**

The ornamental design for an air freshener, as shown and described.

DESCRIPTION

FIG. 1 is a perspective illustration of an air freshener, according to an aspect of our new design.
FIG. 2 is a top view illustration thereof.
FIG. 3 is a bottom view illustration thereof.
FIG. 4 is a left side view illustration thereof.
FIG. 5 is a right side view illustration thereof.
FIG. 6 is a front view illustration thereof; and,
FIG. 7 is a back view illustration thereof.
The broken lines depict unclaimed portions of the air freshener and form no part of the claimed design.

1 Claim, 7 Drawing Sheets



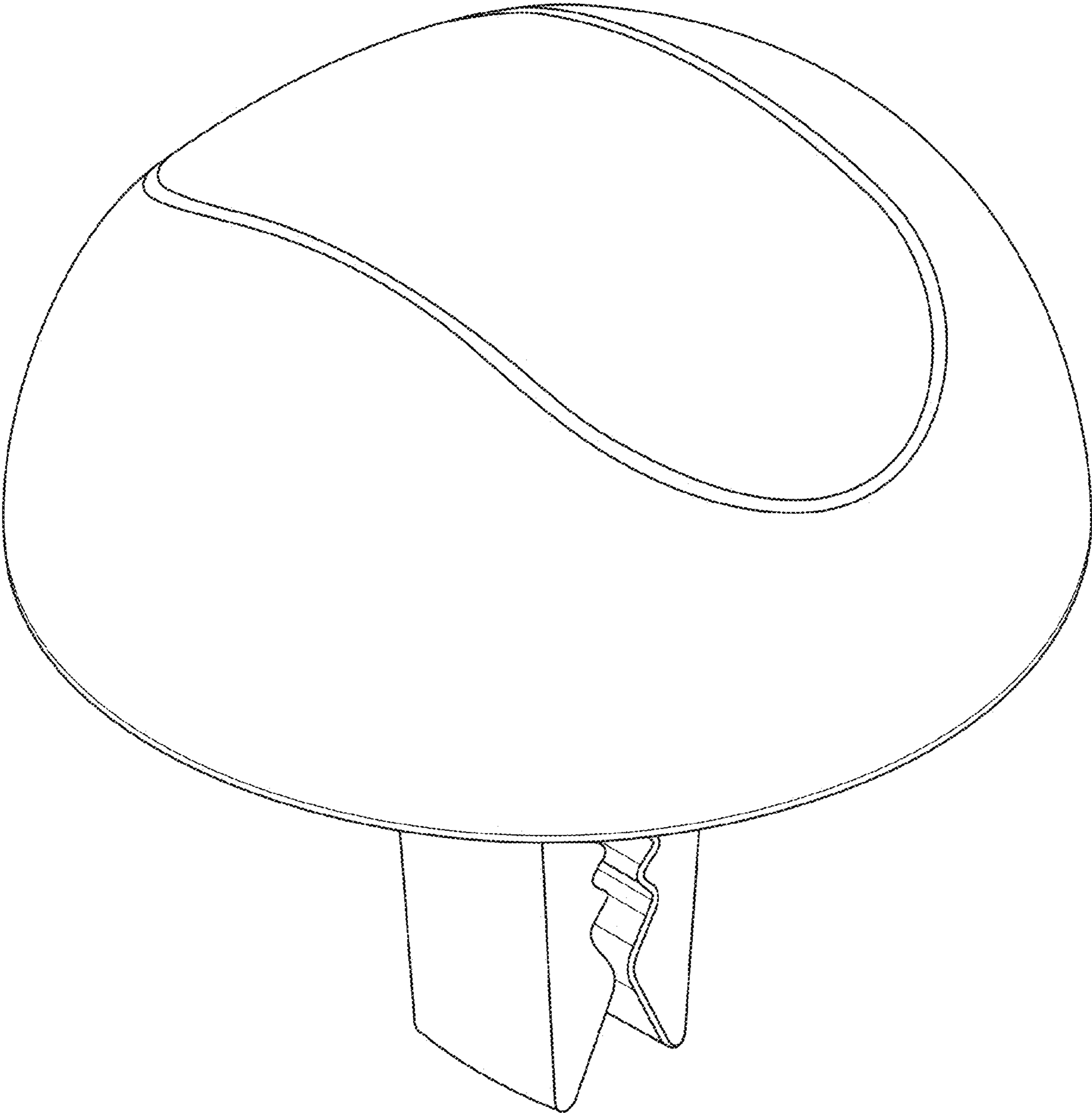


FIG. 1

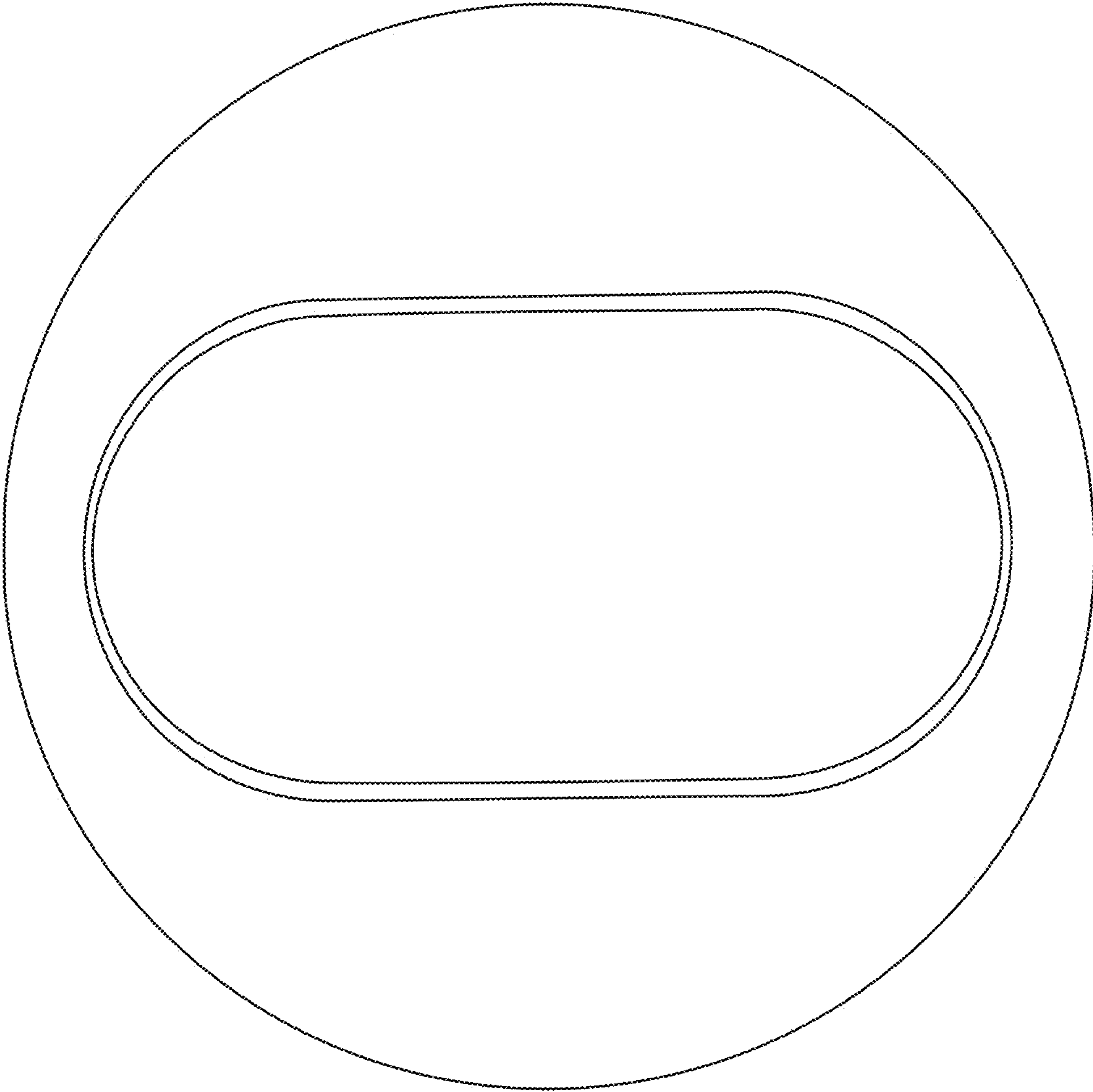


FIG. 2

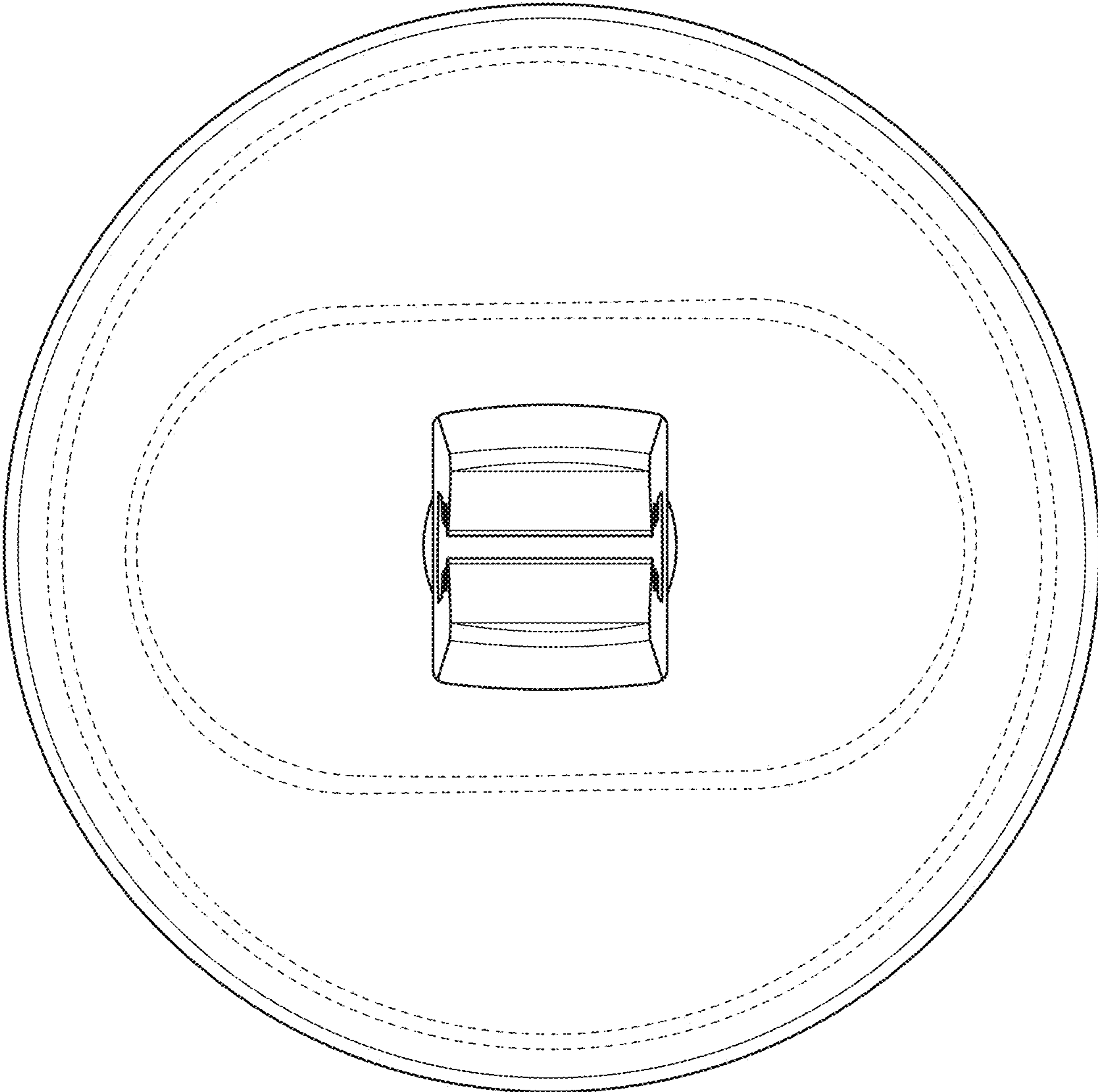


FIG. 3

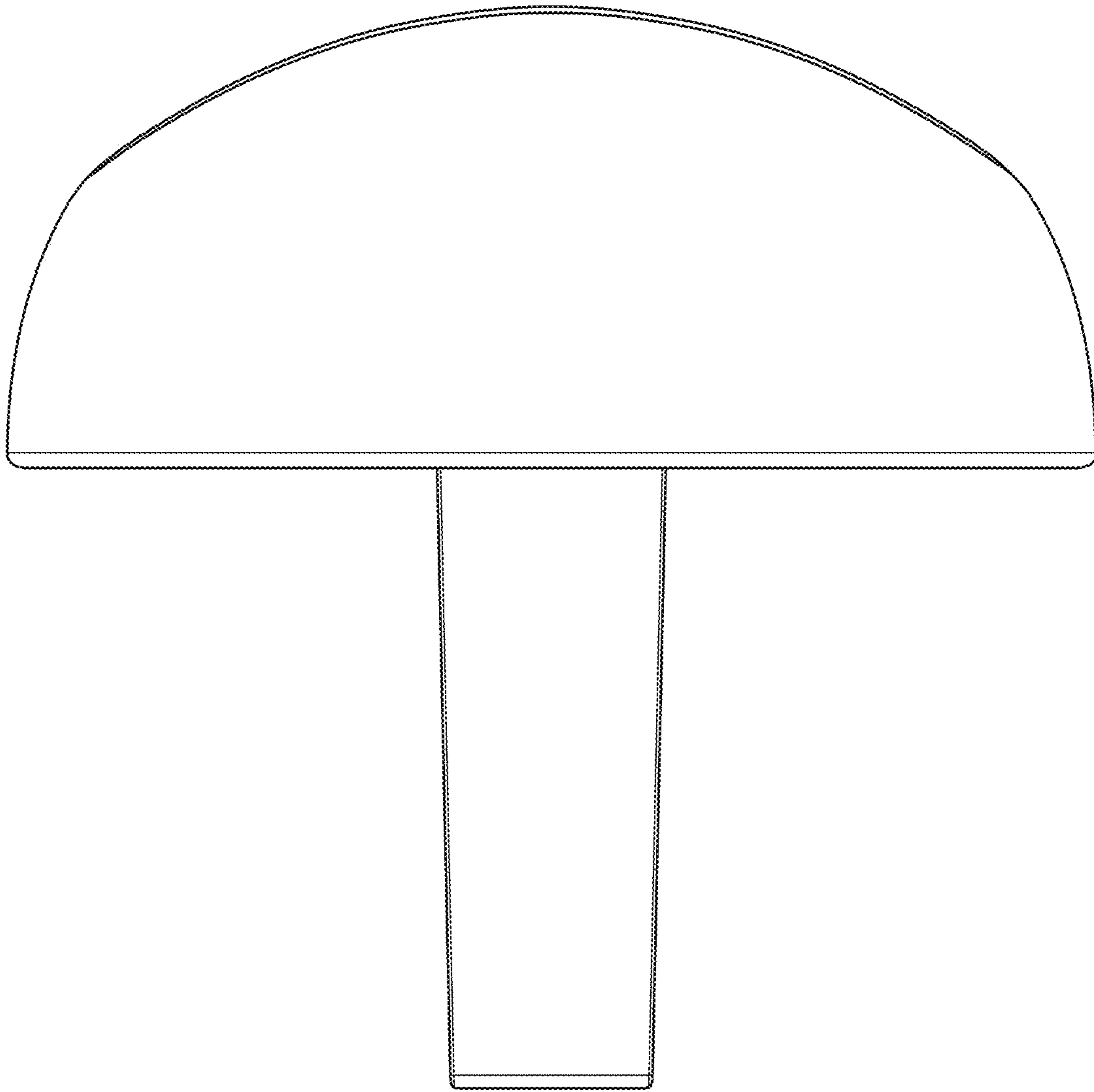


FIG. 4

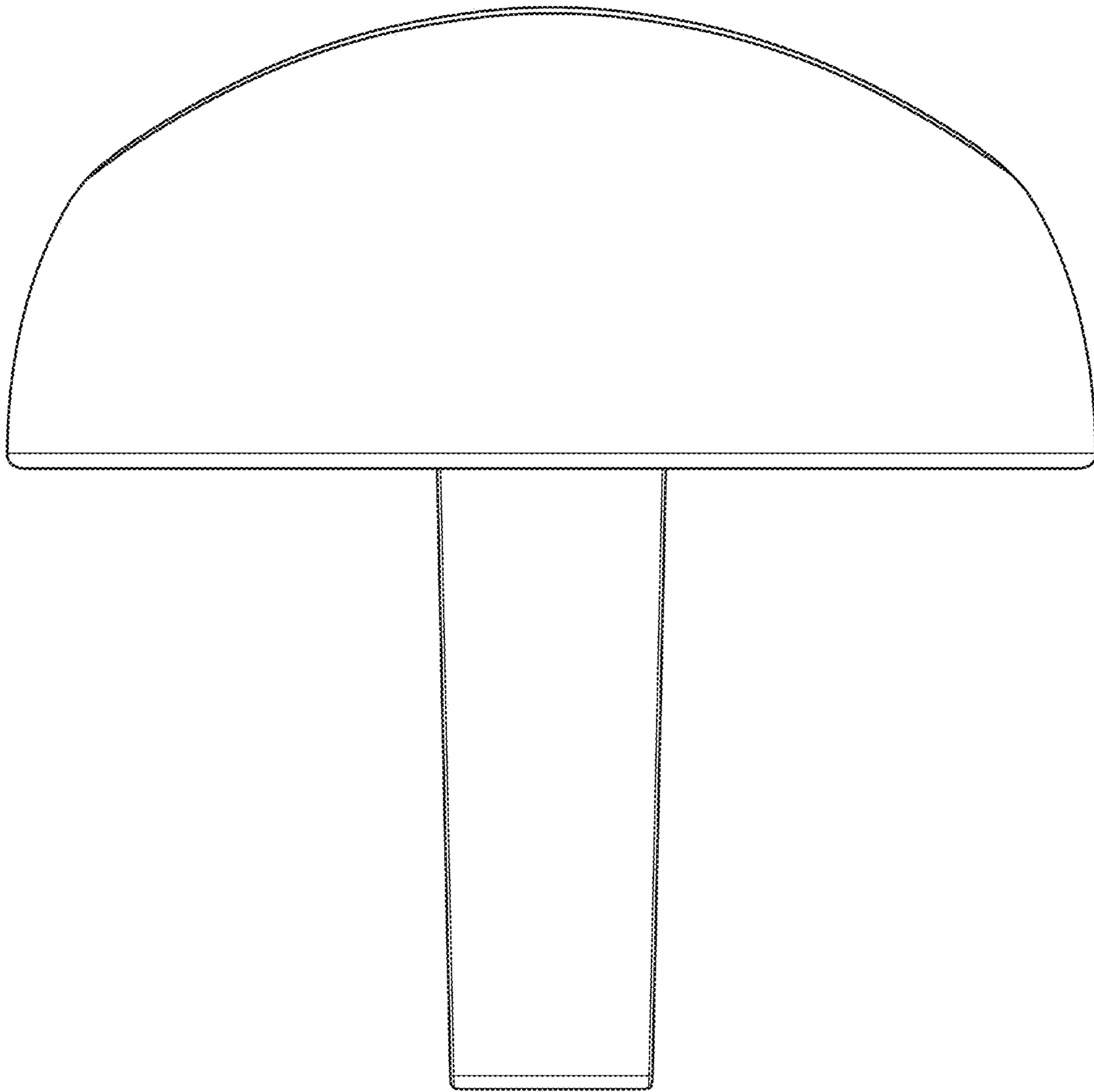


FIG. 5

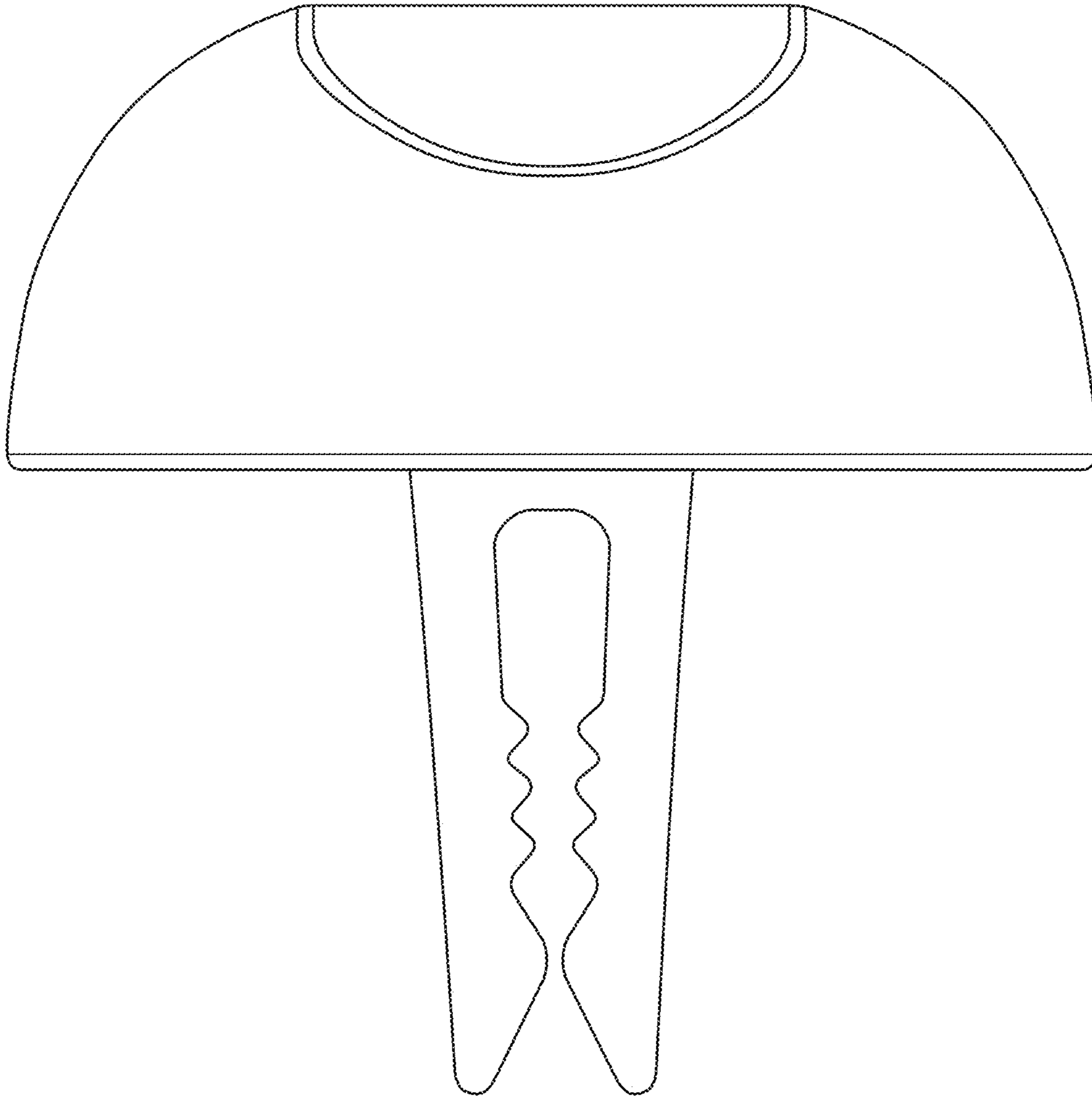


FIG. 6

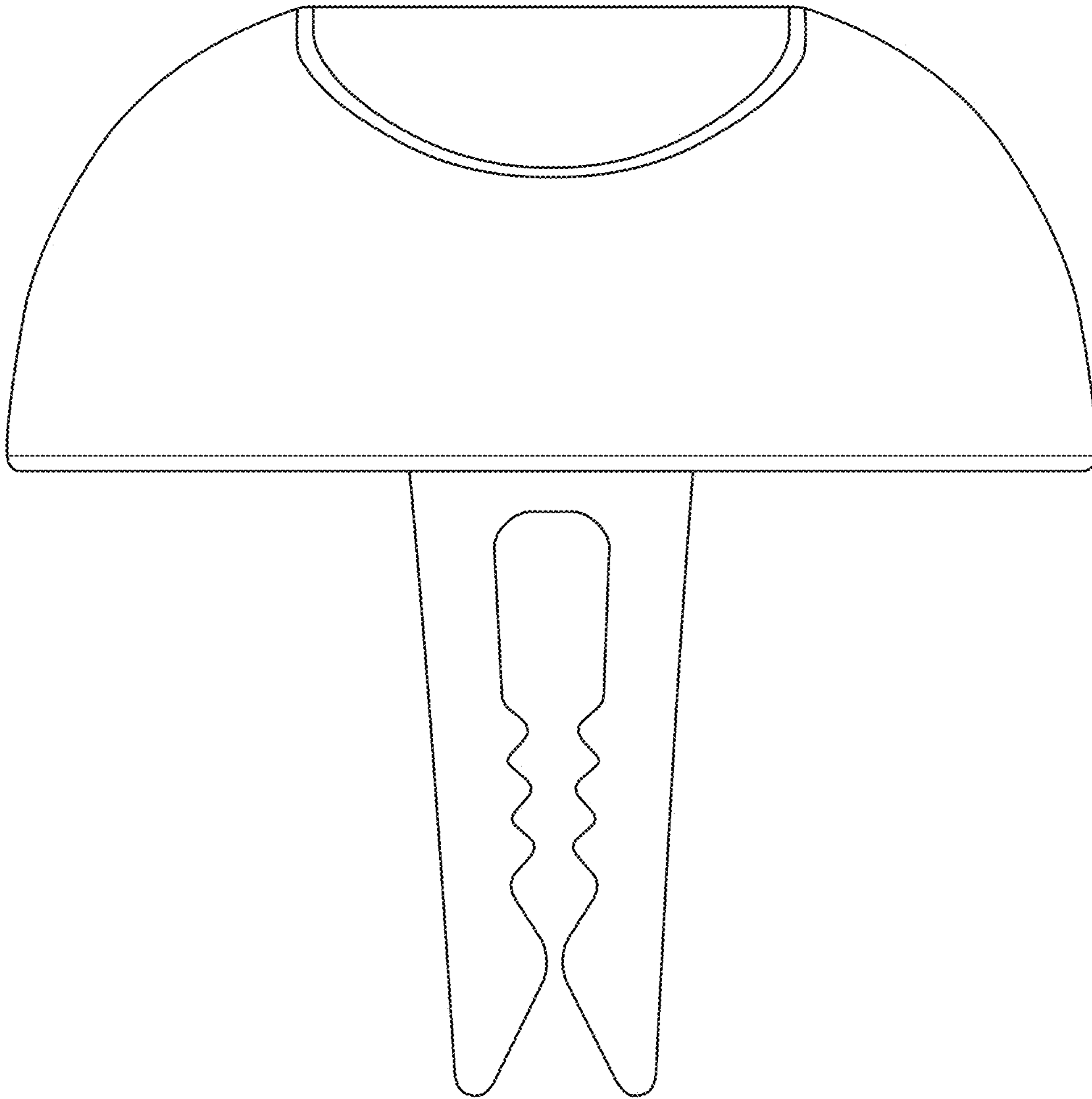


FIG. 7