



US00D880665S

(12) **United States Design Patent** (10) **Patent No.:** **US D880,665 S**
Pomplun et al. (45) **Date of Patent:** **** Apr. 7, 2020**

(54) **TOILET SEAT APPARATUS**

FOREIGN PATENT DOCUMENTS

(71) Applicant: **Bemis Manufacturing Company**,
Sheboygan Falls, WI (US)

CN 2089312 U 11/1991
CN 106175548 A 12/2016

(Continued)

(72) Inventors: **Brian Pomplun**, Cedarburg, WI (US);
Brian A. Henne, Elkhart Lake, WI
(US); **Jonathan Arndt**, Sheboygan, WI
(US); **Patrick J. Raymakers**,
Sheboygan, WI (US)

OTHER PUBLICATIONS

Affordable Medical Equipment, "Elevated Toilet Seats," <<http://medame.com/elevated-toilet-seats.html>> webpage accessed Jun. 6, 2018.

(Continued)

(73) Assignee: **BEMIS MANUFACTURING COMPANY**, Sheboygan Falls, WI (US)

Primary Examiner — Robert A Delehanty

(**) Term: **15 Years**

(74) *Attorney, Agent, or Firm* — Michael Best & Friedrich LLP

(21) Appl. No.: **29/662,913**

(57) **CLAIM**

We claim the ornamental design for a toilet seat apparatus, as shown and described.

(22) Filed: **Sep. 10, 2018**

(51) **LOC (12) Cl.** **23-02**

(52) **U.S. Cl.**
USPC **D23/311**

(58) **Field of Classification Search**
USPC D23/303, 309–312, 295–296, 299
CPC A47K 13/00; A47K 13/06
See application file for complete search history.

DESCRIPTION

FIG. 1 is a first perspective view of a toilet seat apparatus according to one embodiment.

FIG. 2 is a second perspective view of the toilet seat apparatus of FIG. 1.

FIG. 3 is a first side view of the toilet seat apparatus of FIG. 1.

FIG. 4 is a second side view of the toilet seat apparatus of FIG. 1.

FIG. 5 is a front view of the toilet seat apparatus of FIG. 1.

FIG. 6 is a rear view of the toilet seat apparatus of FIG. 1.

FIG. 7 is a top view of the toilet seat apparatus of FIG. 1; and,

FIG. 8 is a bottom view of the toilet seat apparatus of FIG. 1.

Portions of the toilet seat apparatus shown in broken lines are included for the purpose of illustrating environment and form no part of the claimed design.

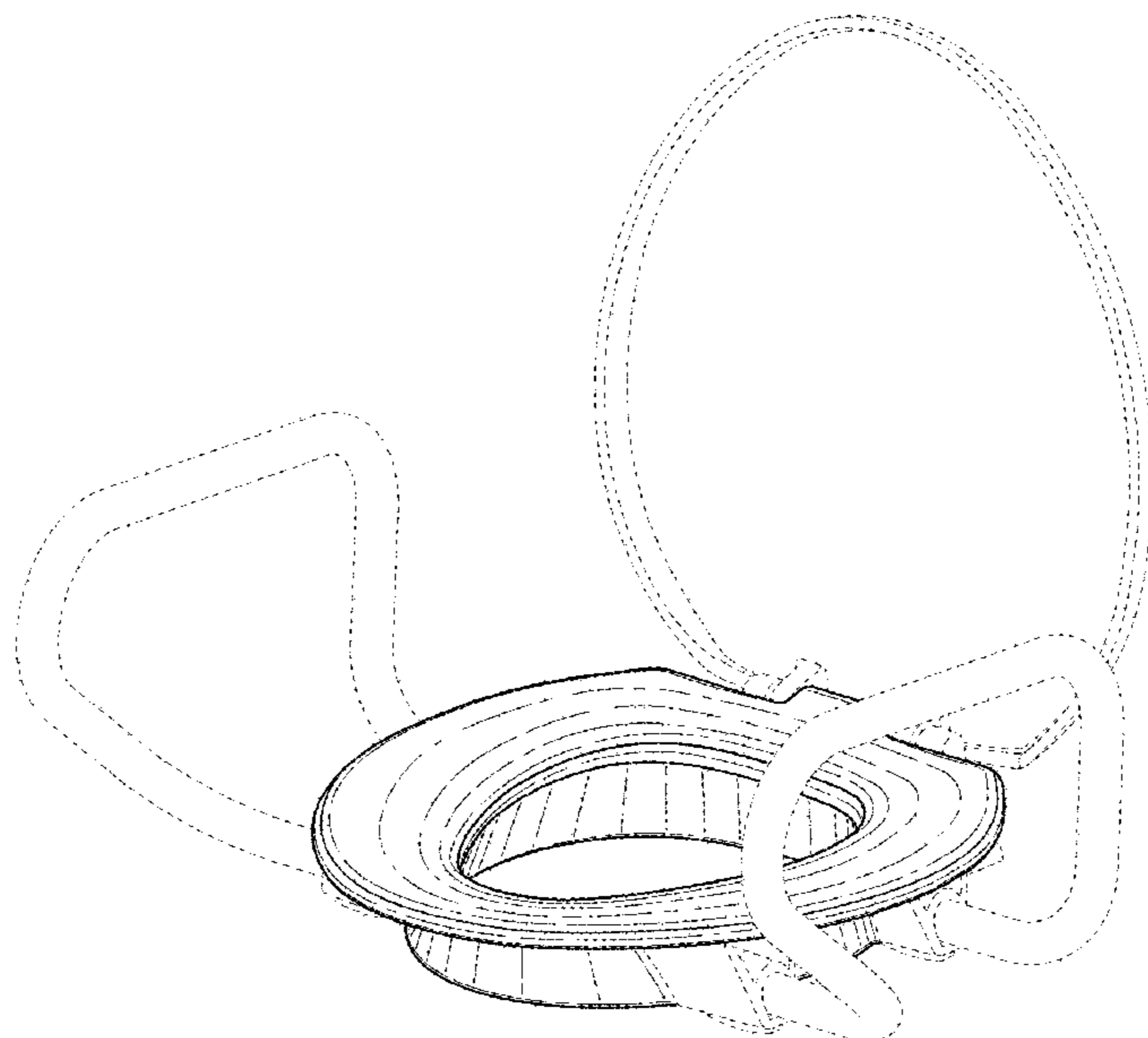
(56) **References Cited**

U.S. PATENT DOCUMENTS

2,932,830 A	4/1960	Lund
3,249,950 A	5/1966	Wilson
3,935,601 A	2/1976	Hermann
4,214,323 A	7/1980	Thomas
4,276,663 A	7/1981	Gensurowsky
4,517,689 A	5/1985	Smith et al.
4,807,308 A	2/1989	Person et al.
5,251,338 A	10/1993	Light
5,412,815 A	5/1995	Ellis

(Continued)

1 Claim, 8 Drawing Sheets



(56)

References Cited

U.S. PATENT DOCUMENTS

5,432,956 A * 7/1995 Park A47K 13/06
4/237

5,920,917 A 7/1999 Landsberger
5,996,133 A 12/1999 Fletcher
6,081,943 A 7/2000 Garcete
D448,459 S * 9/2001 Hulsebus D23/311
6,418,566 B1 7/2002 Plonta
RE38,191 E * 7/2003 Otte A47K 13/00
D23/311

6,986,173 B1 1/2006 Hickey
7,073,210 B2 * 7/2006 Jiang A47K 13/005
4/237

8,082,603 B2 12/2011 Leibfried
8,166,581 B2 5/2012 Lovatt
8,499,368 B2 8/2013 Wunderlich et al.
8,763,169 B2 7/2014 Daniels et al.
8,893,317 B2 11/2014 Smith
8,925,120 B2 1/2015 Khiroya
9,021,620 B1 5/2015 Walker
9,439,544 B1 * 9/2016 DeCarlo A47K 17/02
D771,227 S * 11/2016 Yeung D23/311
D838,821 S * 1/2019 Wong D23/311

2008/0034483 A1 2/2008 Schanz
2011/0191952 A1 8/2011 Brazier
2013/0283515 A1 10/2013 Schilpp et al.
2014/0101832 A1 4/2014 Wagner et al.

FOREIGN PATENT DOCUMENTS

CN 107280560 A 10/2017
DE 10136216 A1 5/2003
EP 1588657 B1 6/2009
EP 2918210 A1 9/2015

JP H07255641 A 10/1995
JP 2014239872 A2 12/2014
WO 1997/41765 A1 11/1997
WO 2007/122407 A1 11/2007
WO 2015/122676 A1 8/2015

OTHER PUBLICATIONS

amazon.com, "Carex Hinged Toilet Seat Riser, Adds 3.5 Inches of Height to Toilet, 300 Pound Weight Capacity, Hinged for Easy Cleaning," <<https://www.amazon.com/Carex-Hinged-Toilet-Capacity-Cleaning/dp/B008XML0T2>> webpage accessed Jan. 24, 2018.

amazon.com, "Premium Soft Close White D-Shape Toilet Seat for Young Families | Child Friendly, Very Strong Seat, Perfect for Potty Training | Includes Top & Bottom Fixing Hinges by EcoSpa® by EcoSpa," <<https://www.amazon.com/Premium-D-Shape-Families-Friendly-Training/dp/B015SZ2TSW>> webpage accessed Jun. 6, 2018.

Drive Medical, "Hinged Toilet Seat Riser," <<http://www.drivemedical.com/index.php/hinged-toilet-seat-riser-2918.html>> webpage accessed Jan. 24, 2018.

Durable Medical Equipment, "Online Catalog," <<https://www.dmeinc.biz/resource/products/productlistac76.html?Cat=5>> webpage accessed Jun. 6, 2018.

rehabmart.com, "Maddak Hinged Elevated Toilet Seat," <<https://www.rehabmart.com/product/hinged-elevated-toilet-seat-18487.html>> webpage accessed Jan. 24, 2018.

rehabmart.com, "Savanah Raised Toilet Seat with Lid," <<https://www.rehabmart.com/product/savanah-raised-toilet-seat-with-lid1-10861.html>> webpage accessed Jan. 24, 2018.

European Patent Office Extended Search Report for Application No. 19196186.1 dated Dec. 20, 2019 (9 pages).

* cited by examiner

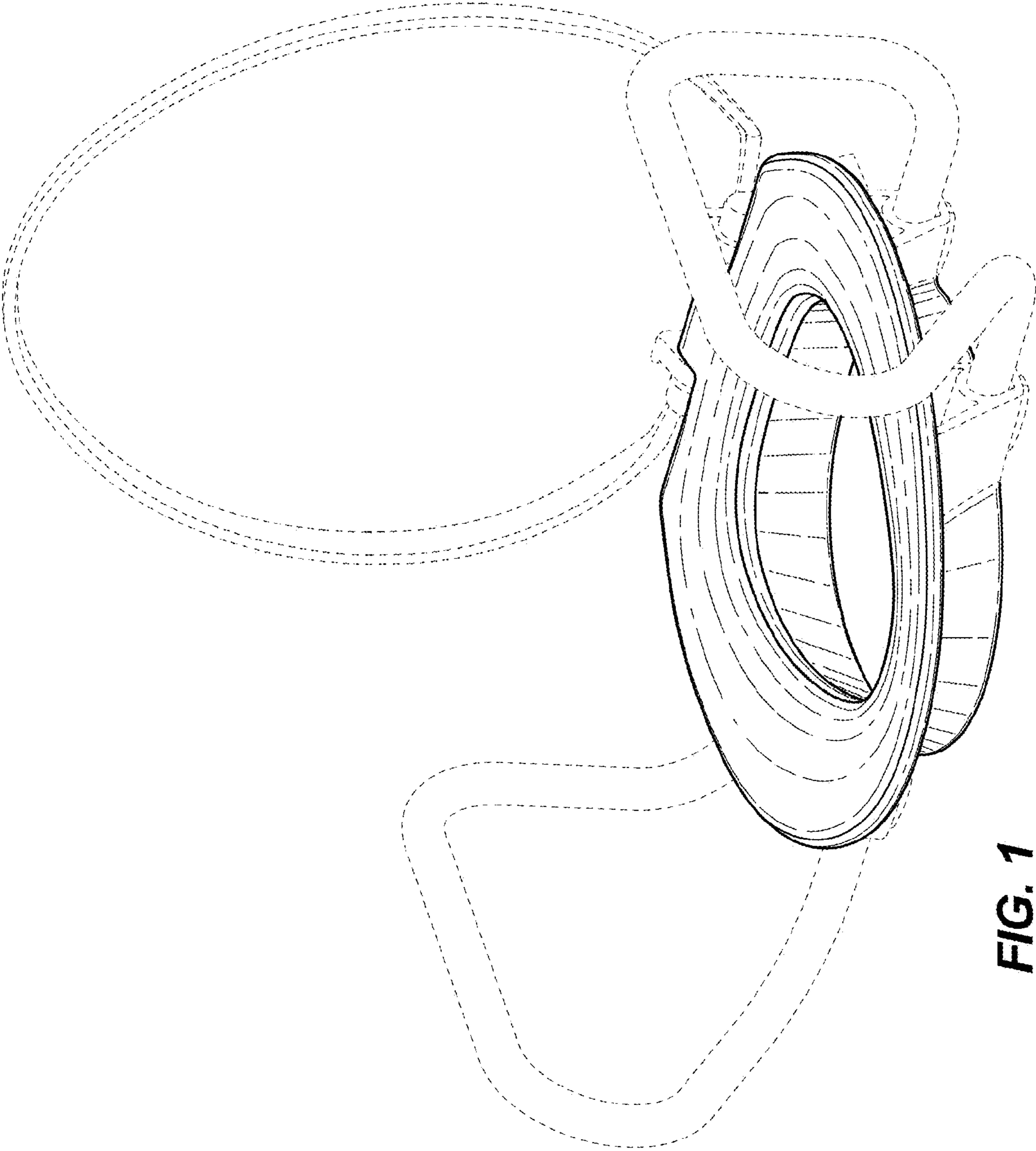


FIG. 1

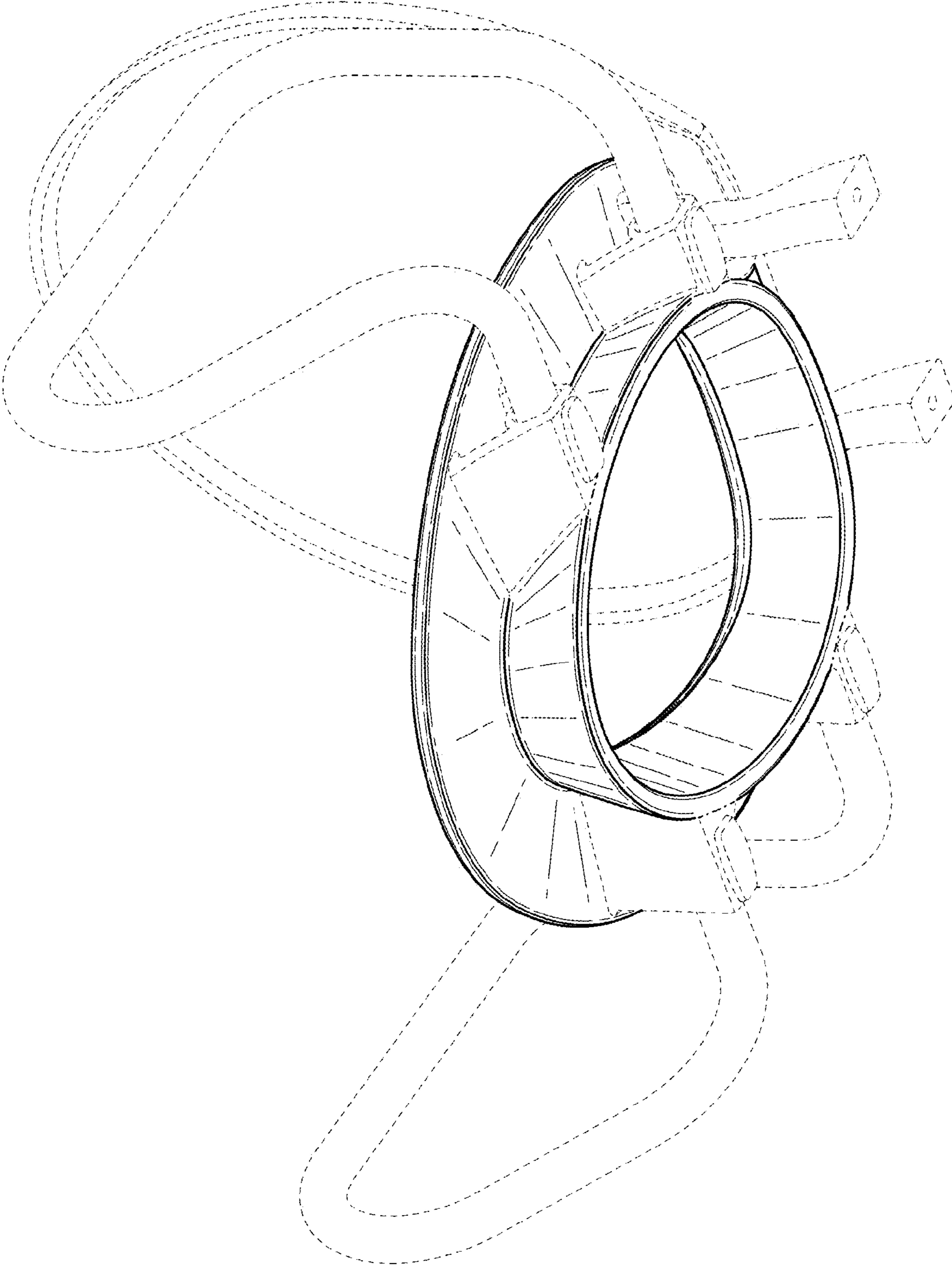


FIG. 2

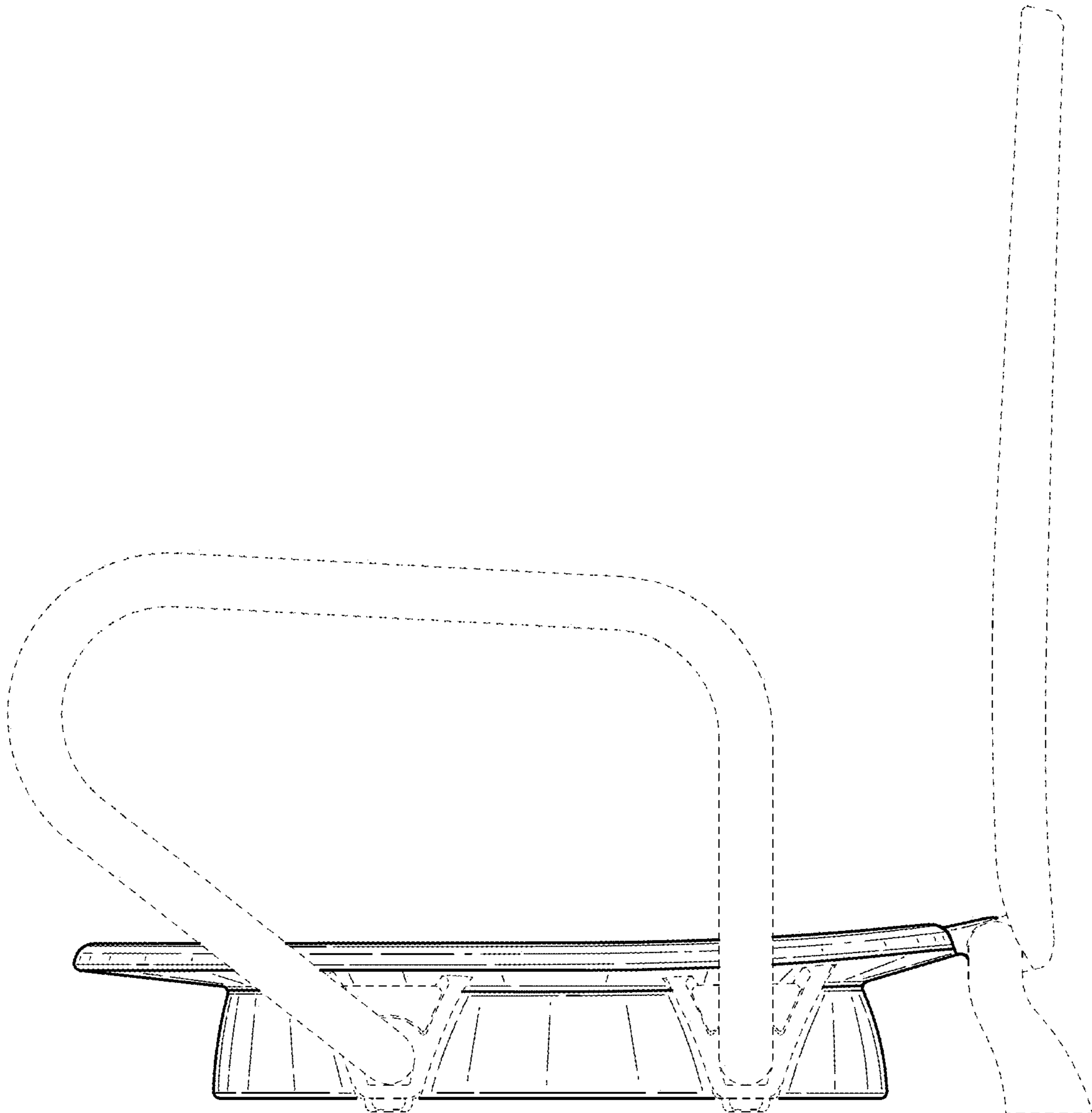


FIG. 3

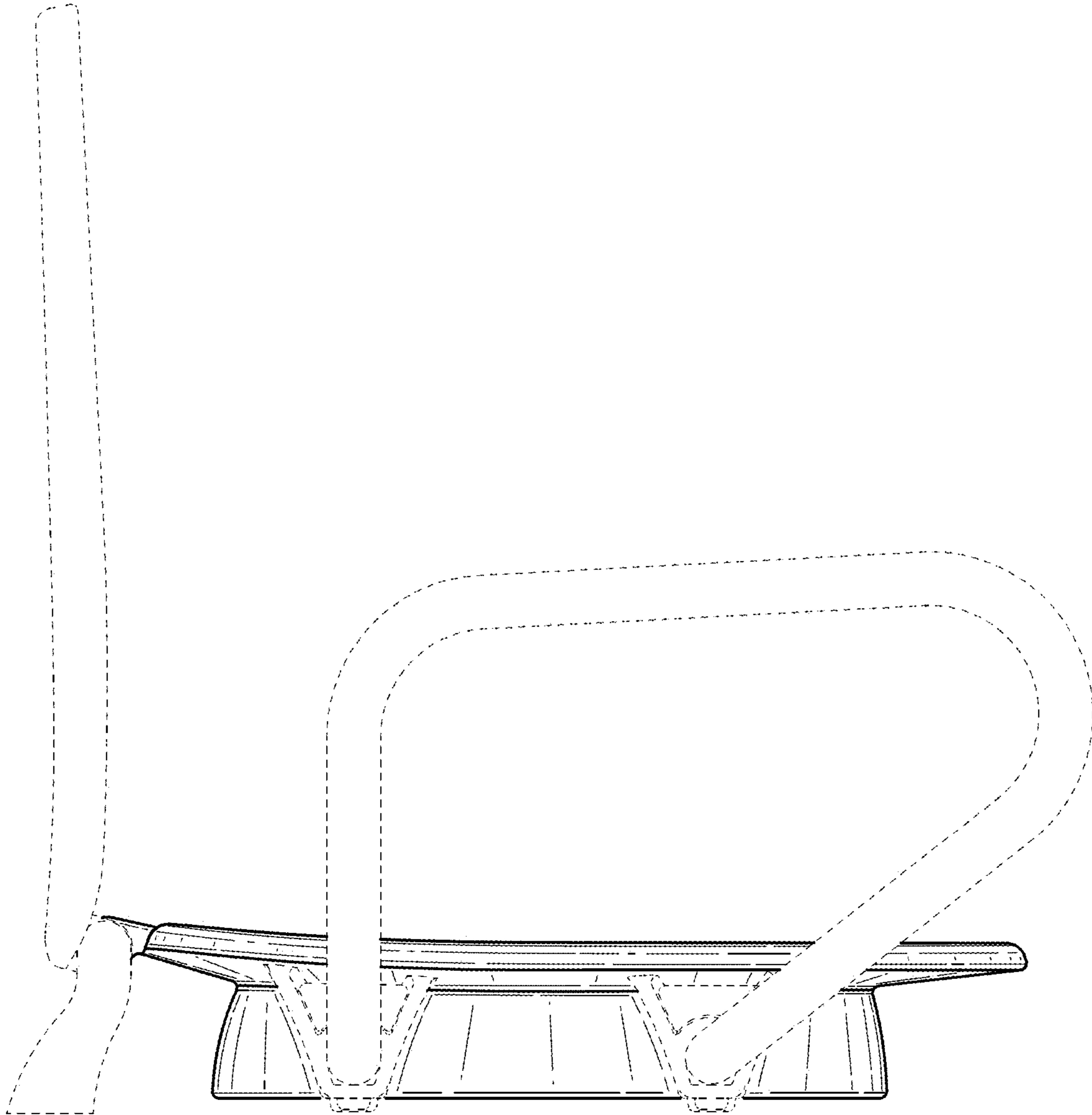


FIG. 4

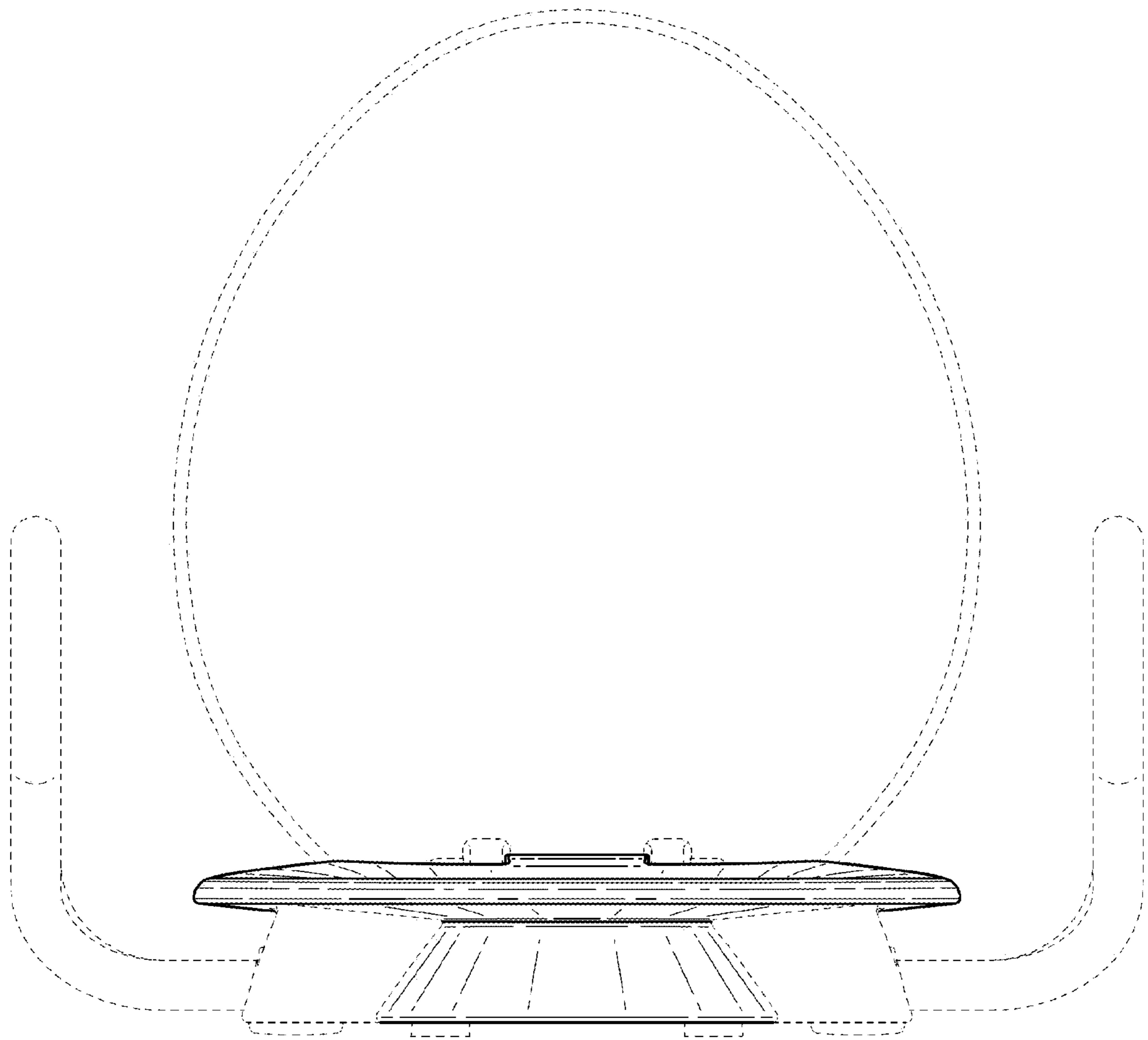


FIG. 5

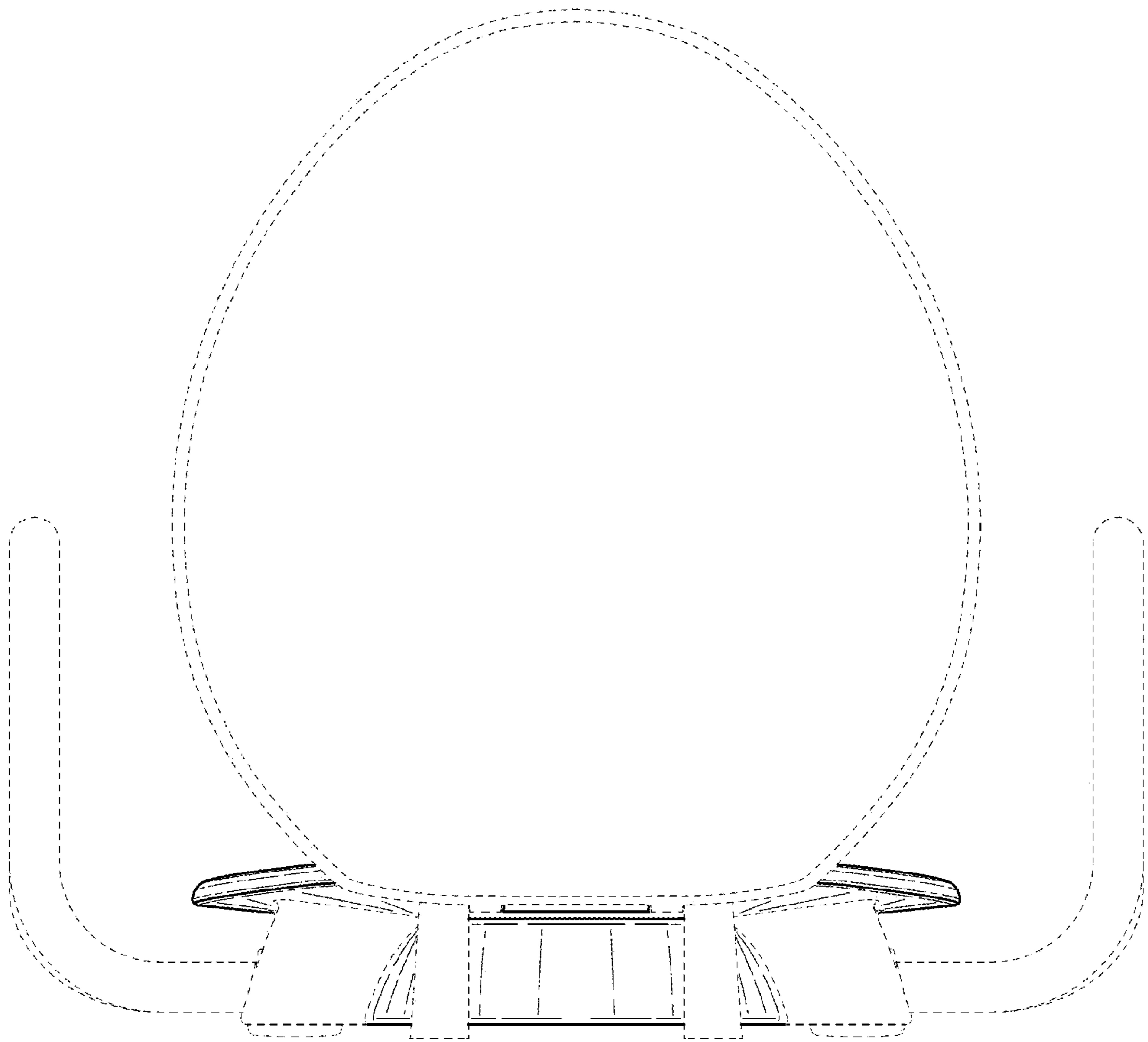


FIG. 6

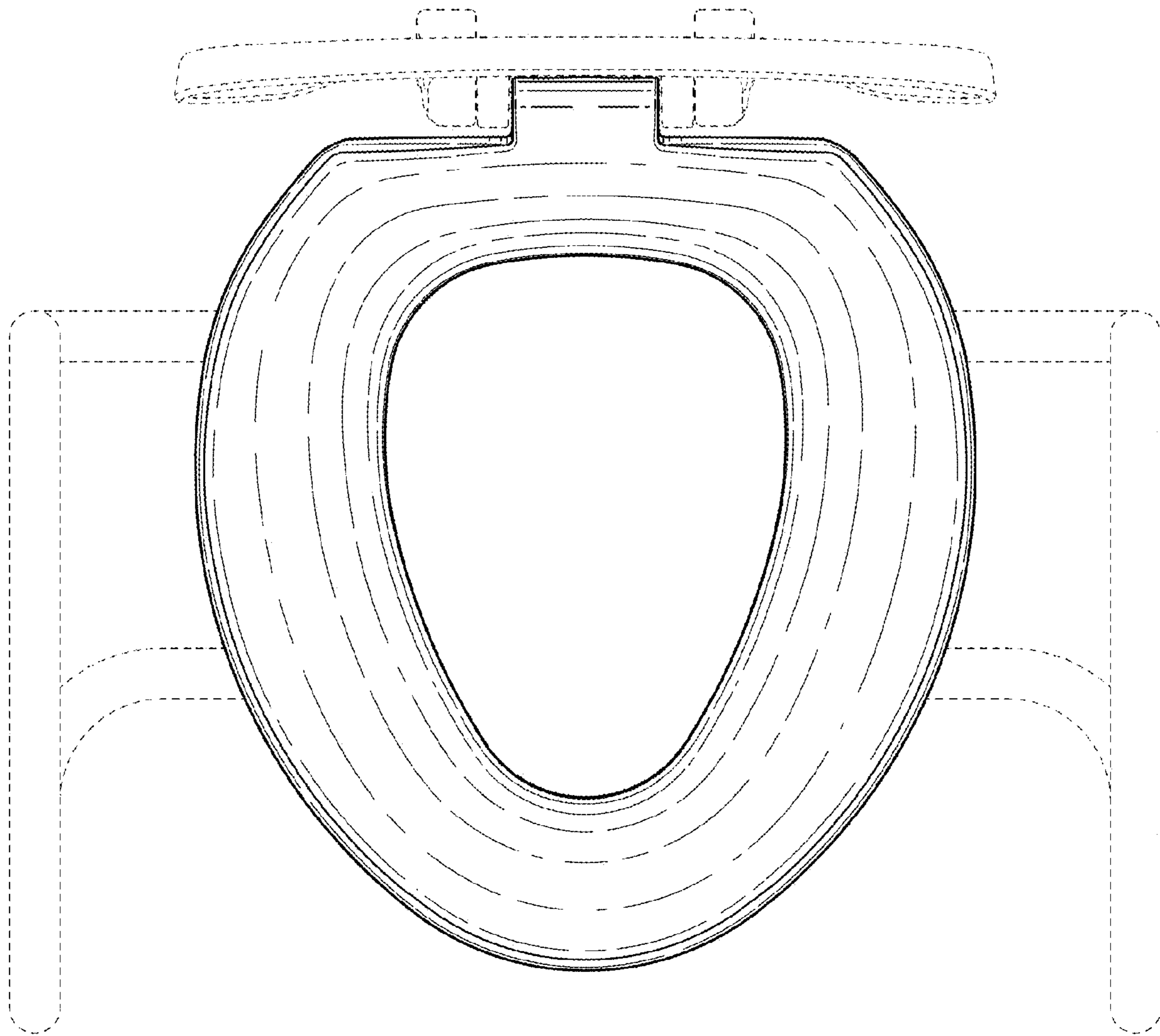


FIG. 7

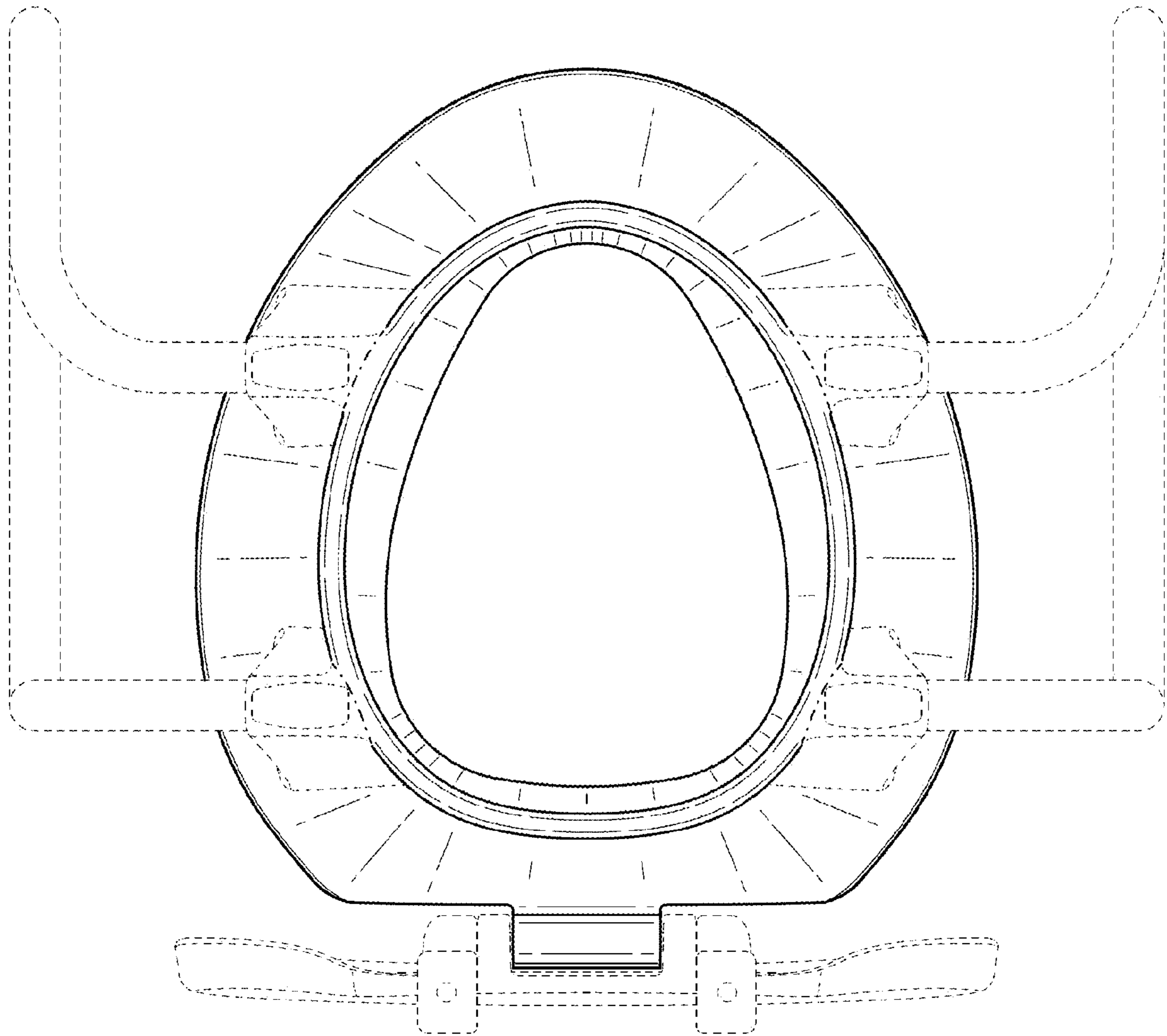


FIG. 8