



US00D880664S

(12) **United States Design Patent**  
**Songjie**

(10) **Patent No.:** **US D880,664 S**

(45) **Date of Patent:** **\*\* Apr. 7, 2020**

(54) **TOILET**

(71) Applicant: **BATH-TECH INDUSTRIAL CO., LTD.**, Beijing (CN)

(72) Inventor: **Shi Songjie**, Beijing (CN)

(\*\*) Term: **15 Years**

(21) Appl. No.: **29/659,456**

(22) Filed: **Aug. 9, 2018**

(51) **LOC (12) Cl.** ..... **23-02**

(52) **U.S. Cl.**  
USPC ..... **D23/301**

(58) **Field of Classification Search**  
USPC ..... D23/295, 301, 309, 313  
CPC .. E03D 1/00; E03D 1/01; E03D 1/012; E03D 1/04; E03D 1/06; E03D 1/08; E03D 1/28; E03D 1/13; E03D 2201/30; E03D 11/08; E03D 11/18; E03D 13/00; D03D 5/10; A47K 11/00

See application file for complete search history.

(56) **References Cited**

**U.S. PATENT DOCUMENTS**

D457,608 S \* 5/2002 Moll ..... D23/301  
D582,530 S \* 12/2008 Cummings ..... D23/301

D617,885 S \* 6/2010 Cummings ..... D23/313  
D694,378 S \* 11/2013 Bates ..... D23/313  
2019/0249404 A1\* 8/2019 Shinohara ..... E03D 5/10

\* cited by examiner

*Primary Examiner* — Robert A Delehanty

(74) *Attorney, Agent, or Firm* — Keith Swedo

(57) **CLAIM**

I claim the ornamental design for a toilet, as shown and described.

**DESCRIPTION**

FIG. 1 is a perspective view of an embodiment of the claimed design.

FIG. 2 is a front view of the embodiment of FIG. 1.

FIG. 3 is a rear view of the embodiment of FIG. 1.

FIG. 4 is a top view of the embodiment of FIG. 1.

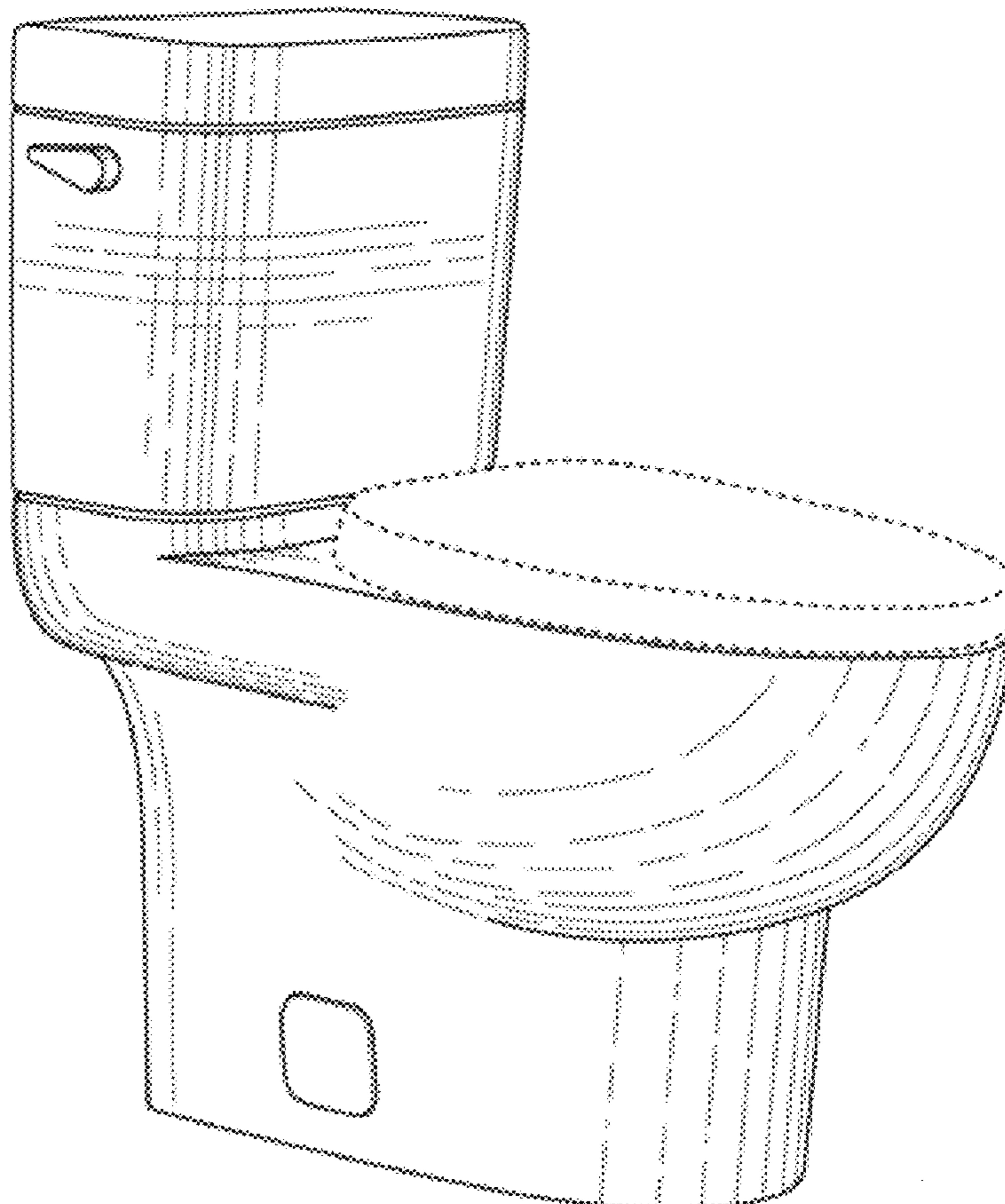
FIG. 5 is a bottom view of the embodiment of FIG. 1.

FIG. 6 is a left view of the embodiment of FIG. 1; and,

FIG. 7 is a right view of the embodiment of FIG. 1.

The ornamental design which is claimed is shown in solid lines in the drawings. The broken lines in the drawings form no part of the claimed design. Broken lines formed by equal length dashes show unclaimed subject matter.

**1 Claim, 3 Drawing Sheets**



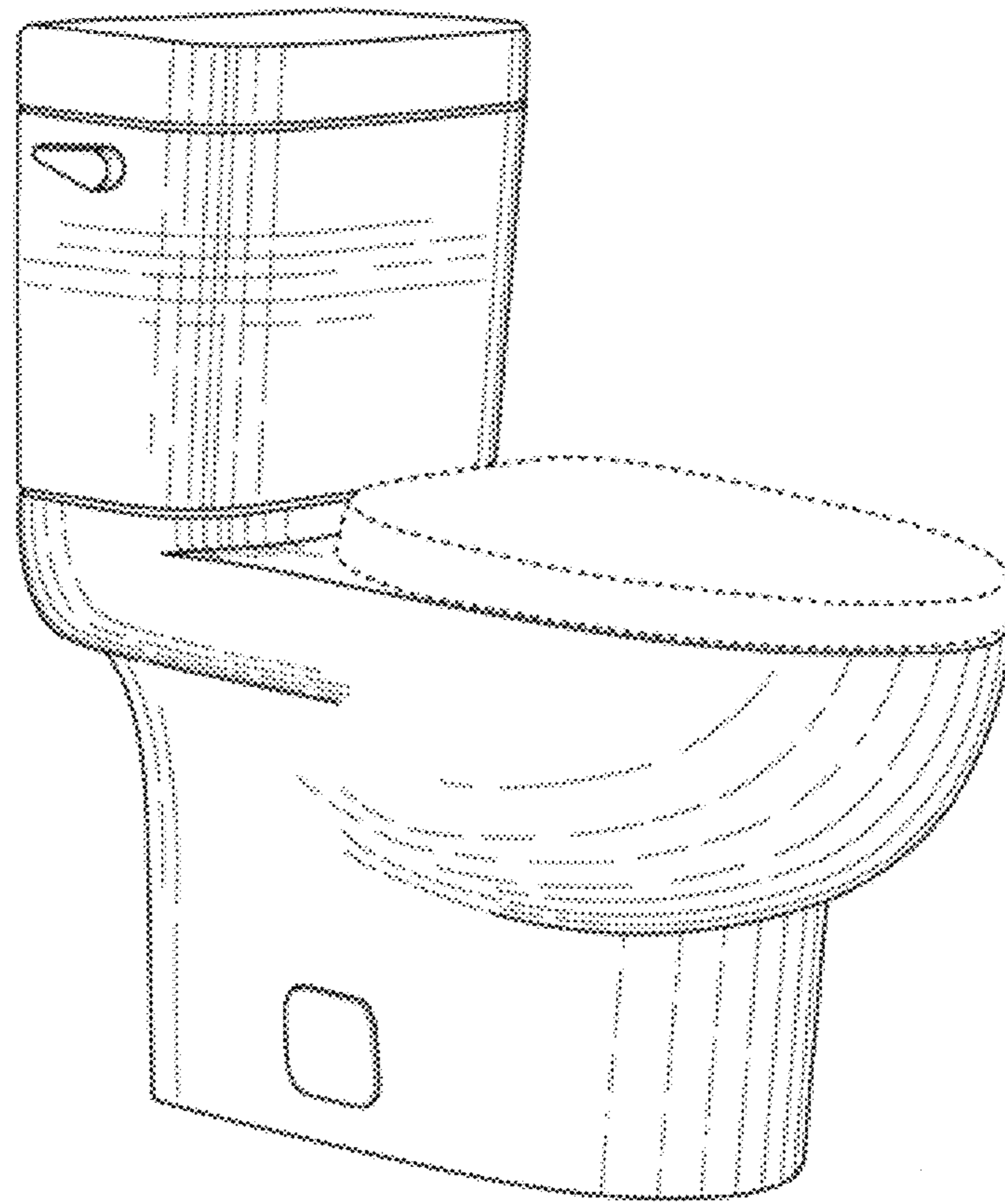


FIG. 1

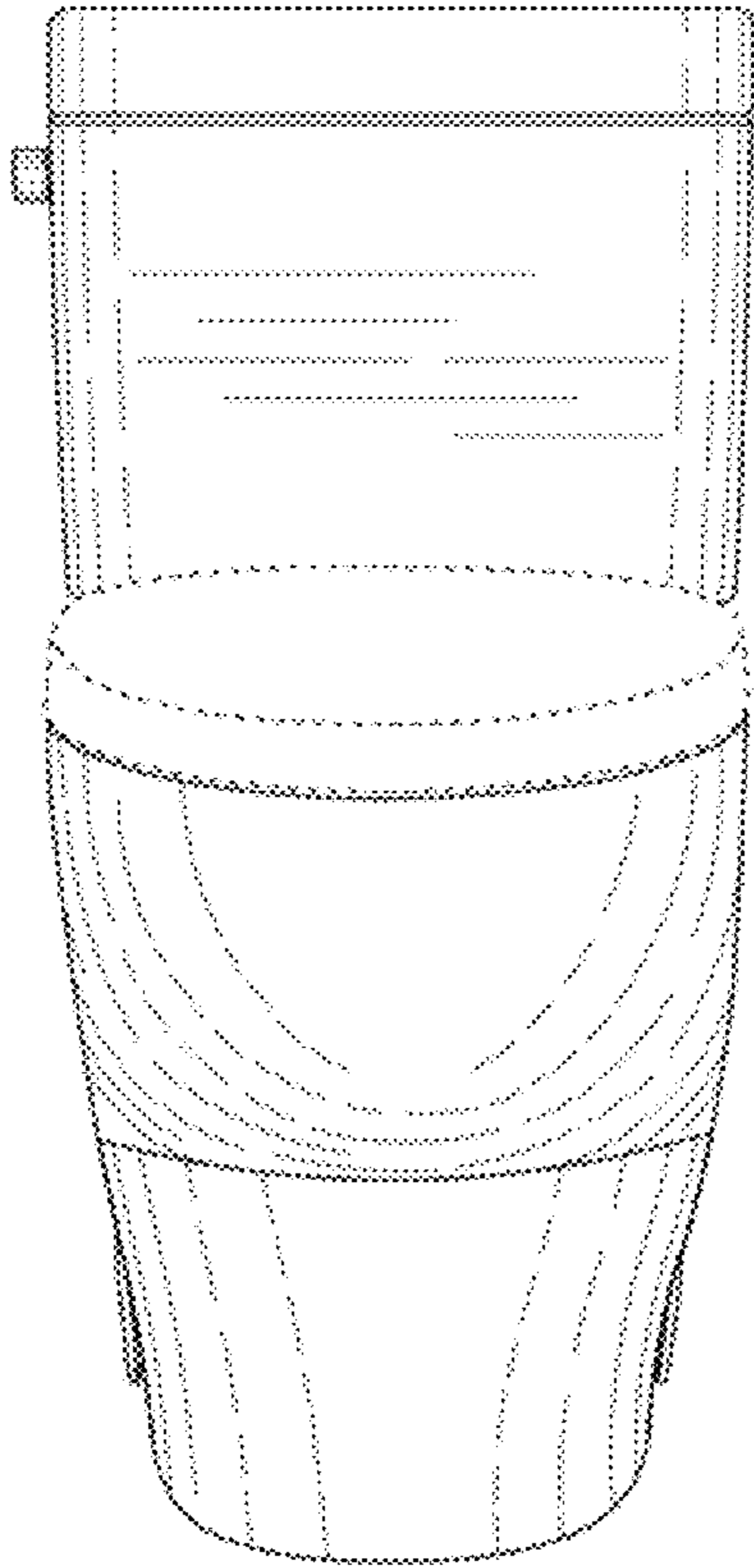


FIG. 2

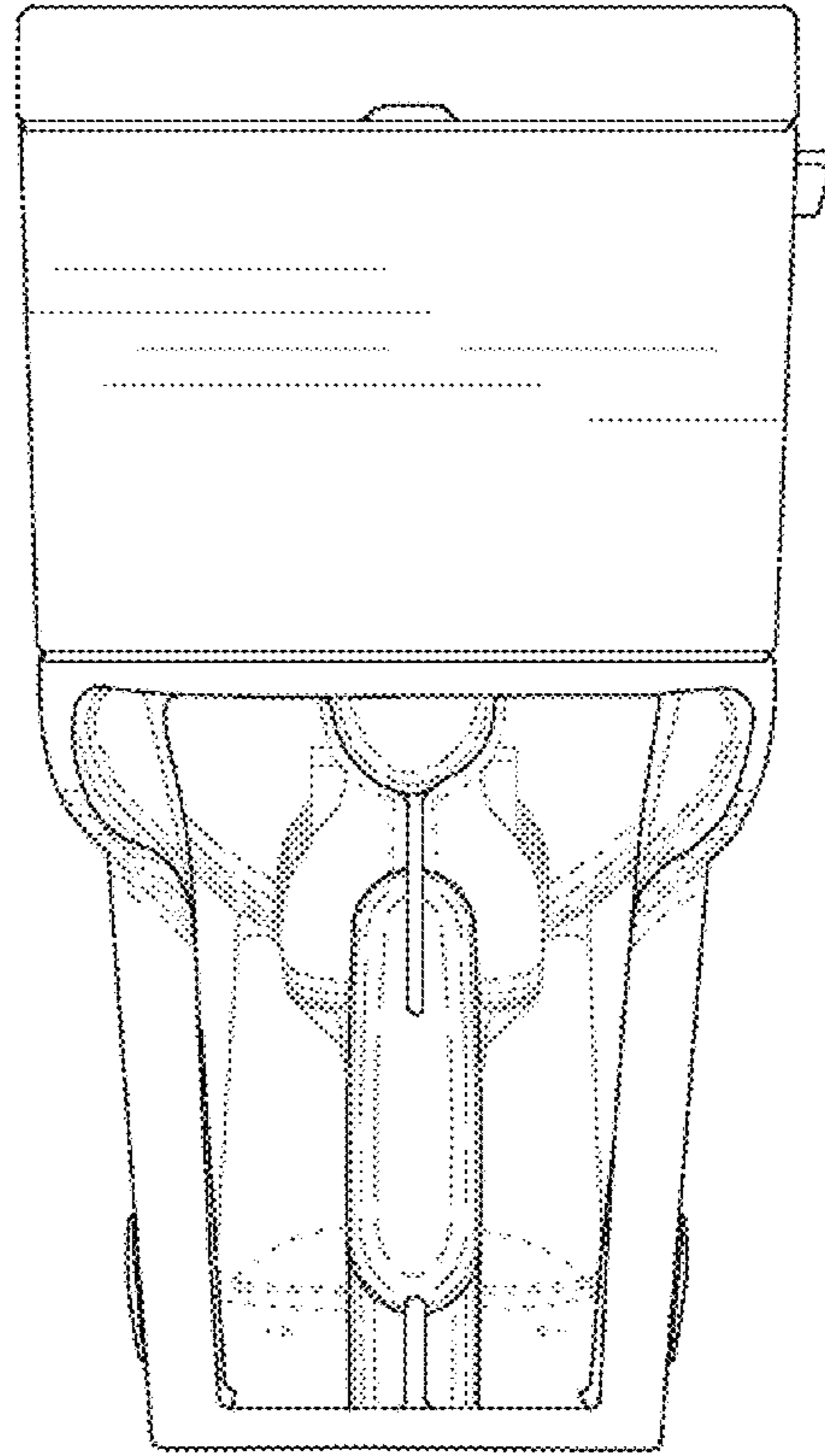


FIG. 3

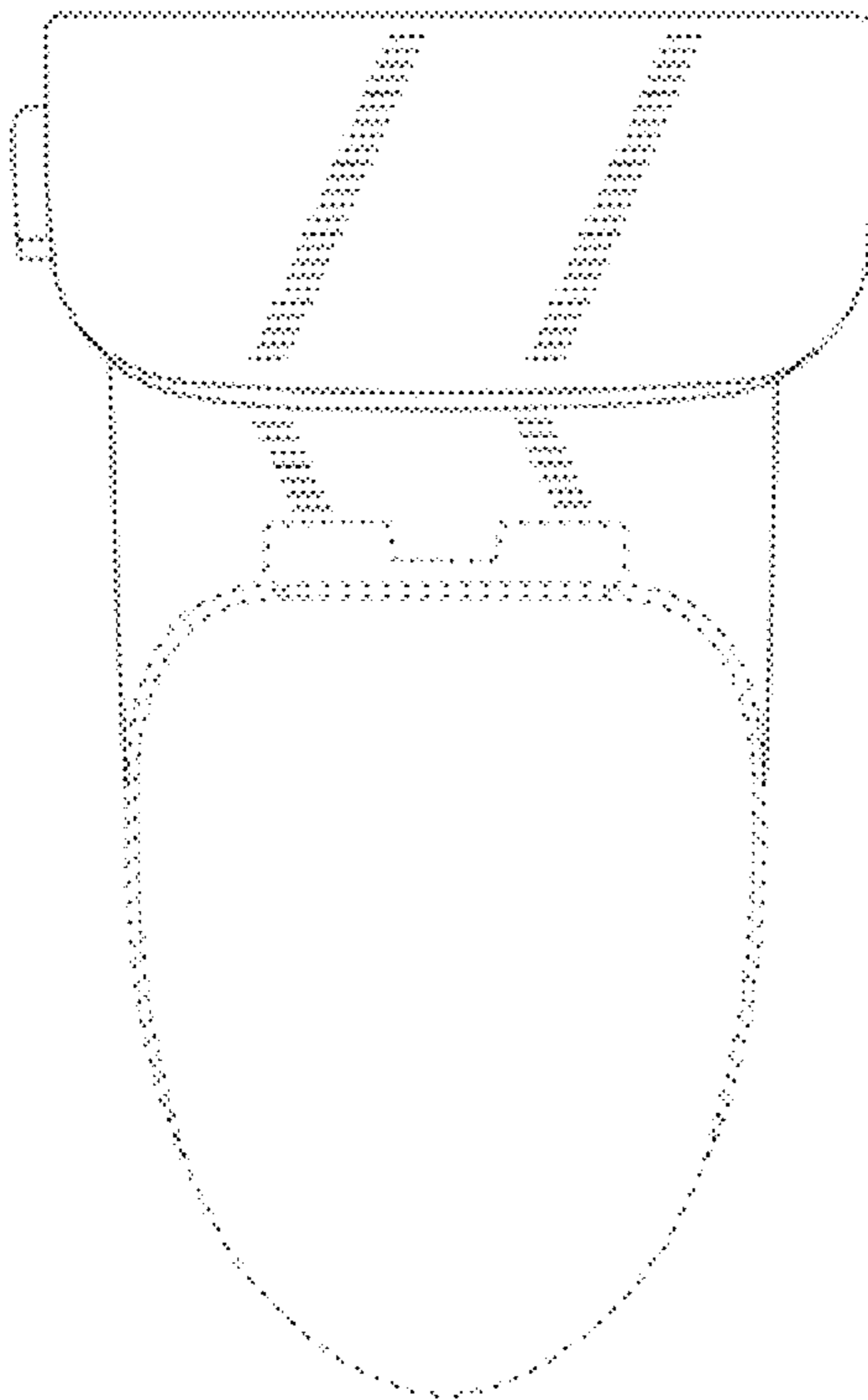


FIG. 4

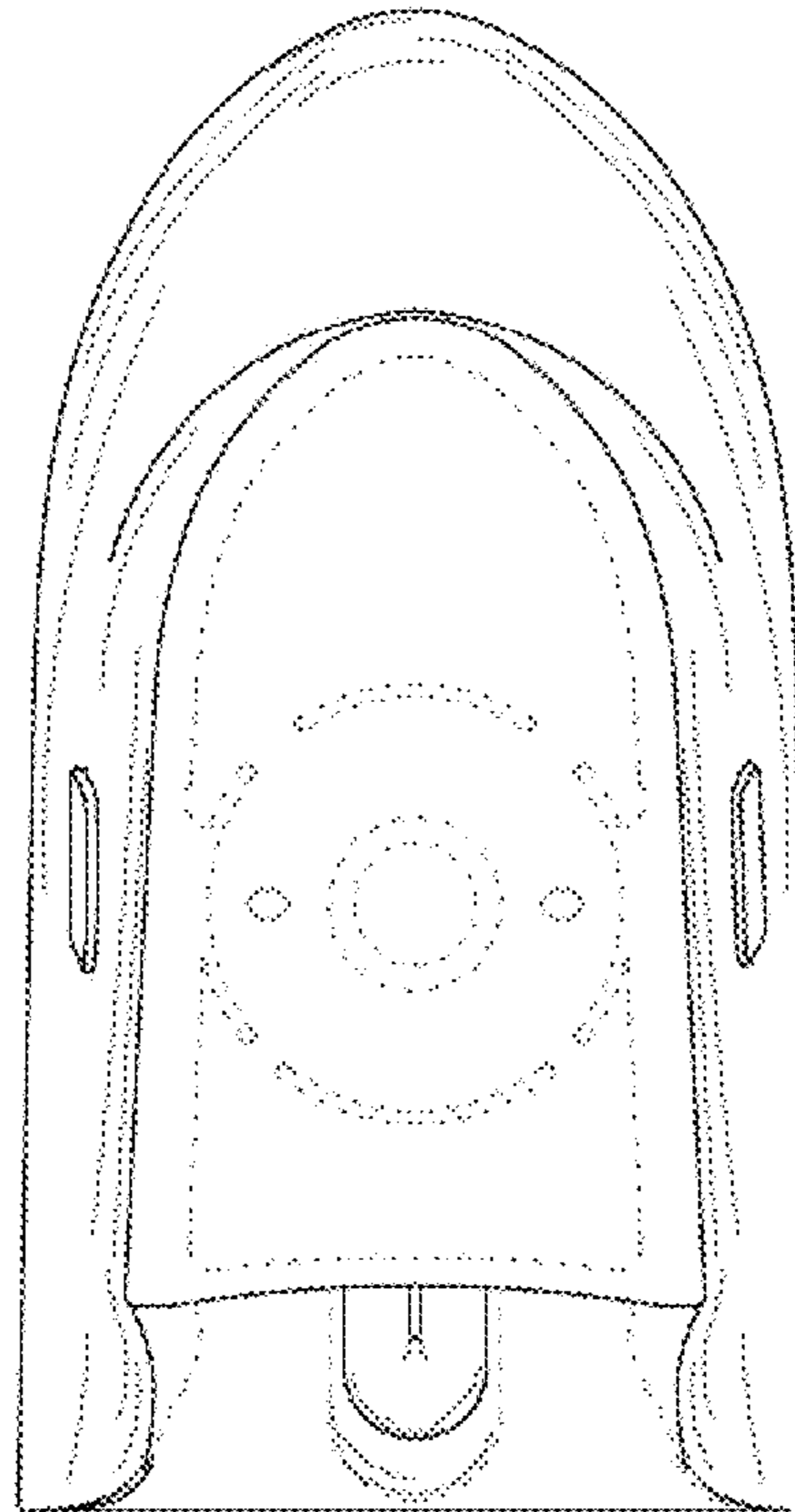


FIG. 5

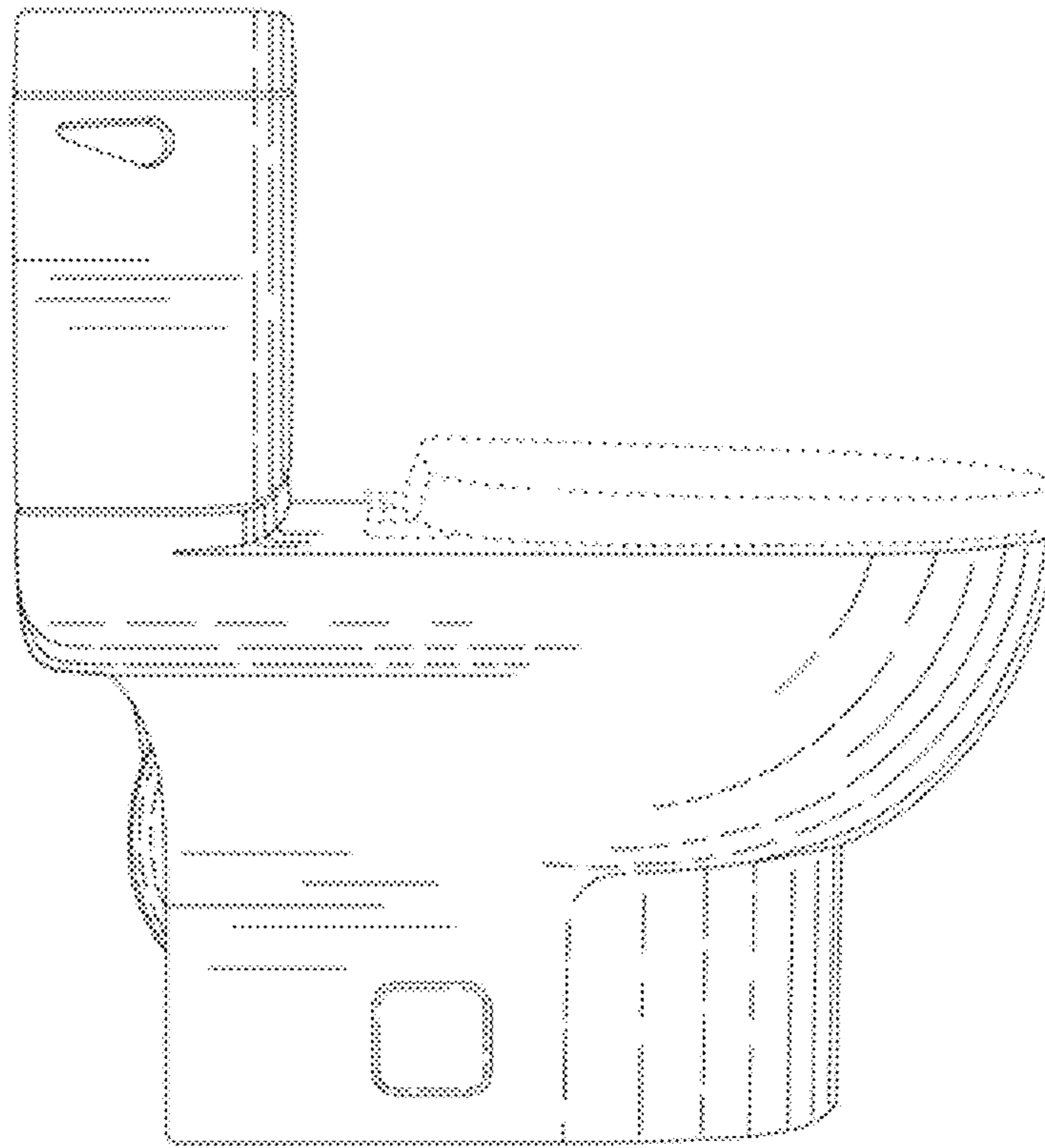


FIG. 6

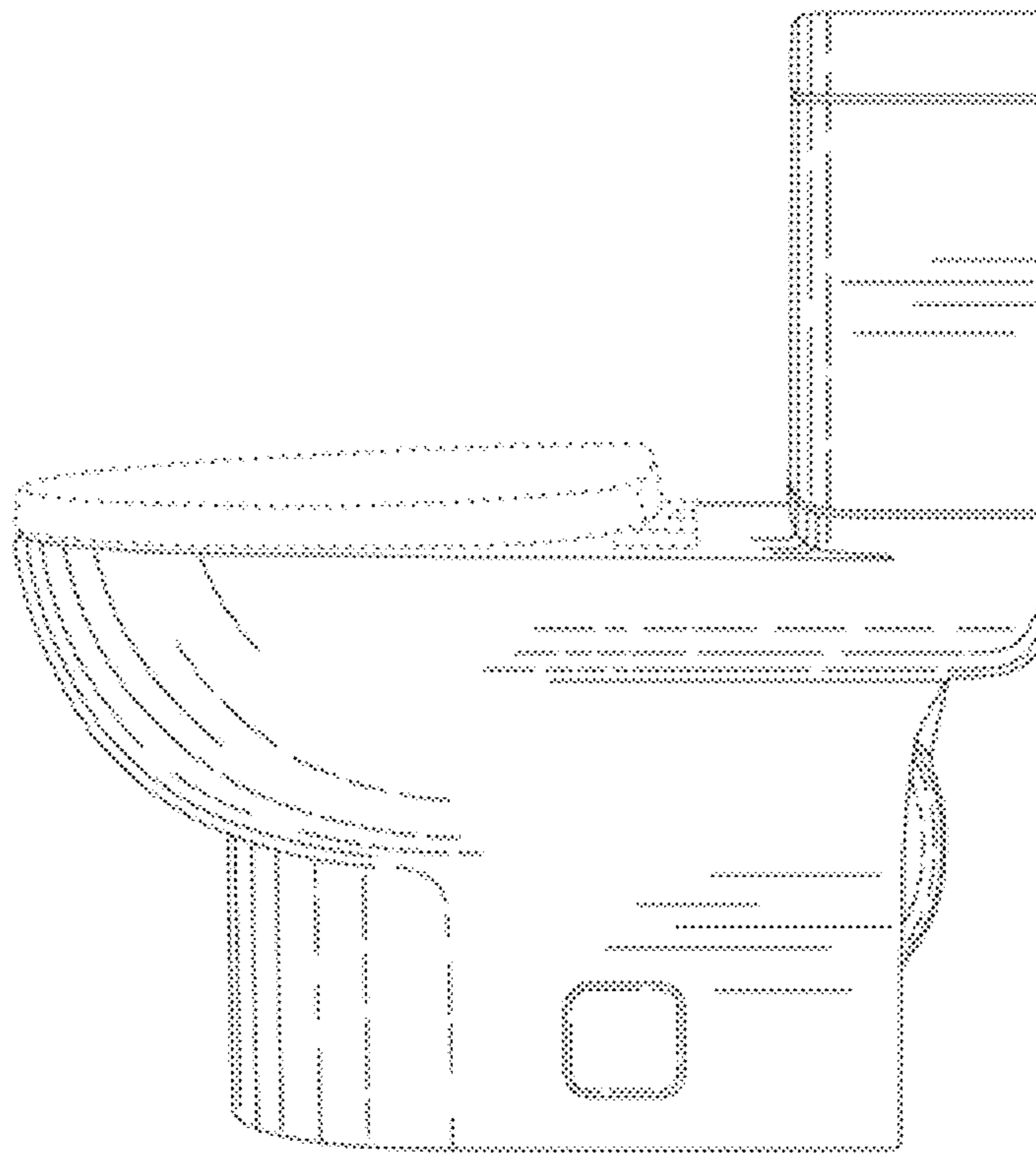


FIG. 7

UNITED STATES PATENT AND TRADEMARK OFFICE  
**CERTIFICATE OF CORRECTION**

PATENT NO. : D880,664 S  
APPLICATION NO. : 29/659456  
DATED : April 7, 2020  
INVENTOR(S) : Shi Songjie

Page 1 of 5

It is certified that error appears in the above-identified patent and that said Letters Patent is hereby corrected as shown below:

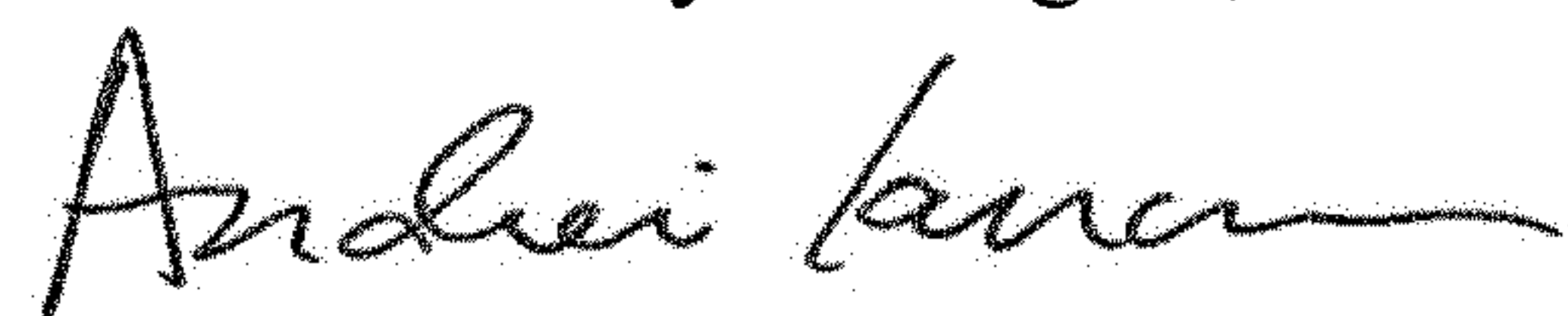
On the Title Page

Delete the title page and substitute therefore with the attached title page consisting of the corrected illustrative figure.

In the Drawings

Please replace FIGS. 1-7 with FIGS. 1-7 as shown on the attached pages.

Signed and Sealed this  
Eleventh Day of August, 2020



Andrei Iancu  
*Director of the United States Patent and Trademark Office*

(12) **United States Design Patent** (10) **Patent No.:** **US D880,664 S**  
**Songjie** (45) **Date of Patent:** **\*\* Apr. 7, 2020**

(54) **TOILET**

(71) Applicant: **BATH-TECH INDUSTRIAL CO., LTD., Beijing (CN)**

(72) Inventor: **Shi Songjie, Beijing (CN)**

(\*\*) Term: **15 Years**

(21) Appl. No.: **29/659,456**

(22) Filed: **Aug. 9, 2018**

(51) **LOC (12) CL.** ..... **23-02**

(52) **U.S. CL.** ..... **D23/301**  
 USPC .....

(58) **Field of Classification Search**  
 USPC ..... D23/295, 301, 309, 313  
 CPC .. E03D 1/00; E03D 1/01; E03D 1/012; E03D 1/04; E03D 1/06; E03D 1/08; E03D 1/28; E03D 1/13; E03D 2201/30; E03D 11/08; E03D 11/18; E03D 13/00; D03D 5/10; A47K 11/00

See application file for complete search history.

(56) **References Cited**

**U.S. PATENT DOCUMENTS**

D457,608 S \* 5/2002 Moll ..... D23/301  
 D582,530 S \* 12/2008 Cummings ..... D23/301

D617,885 S \* 6/2010 Cummings ..... D23/313  
 D694,378 S \* 11/2013 Bates ..... D23/313  
 2019/0249404 A1\* 8/2019 Shinohara ..... E03D 5/10

\* cited by examiner

*Primary Examiner* — Robert A Delchanty  
 (74) *Attorney, Agent, or Firm* — Keith Swedo

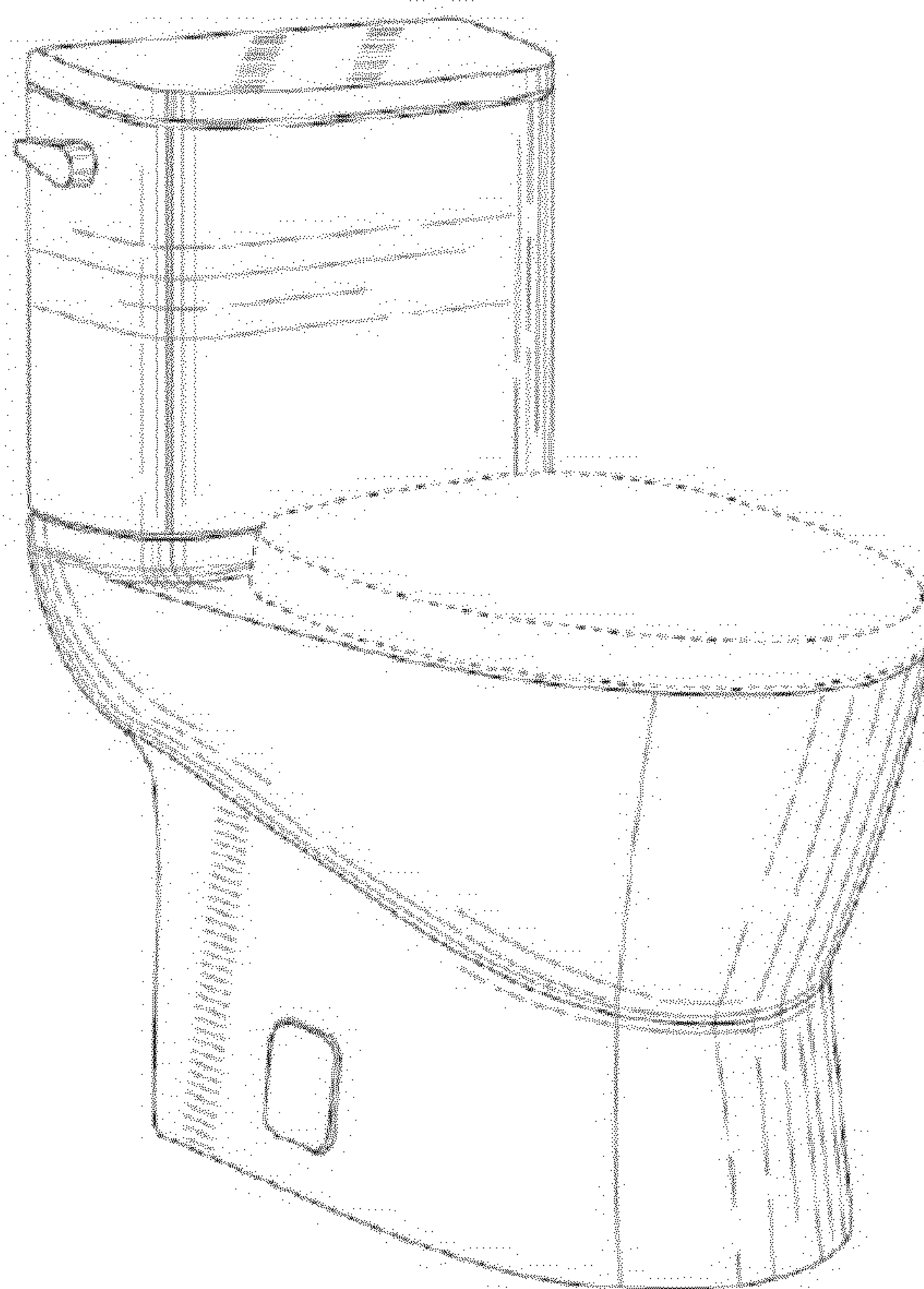
(57) **CLAIM**

I claim the ornamental design for a toilet, as shown and described.

**DESCRIPTION**

FIG. 1 is a perspective view of an embodiment of the claimed design.  
 FIG. 2 is a front view of the embodiment of FIG. 1.  
 FIG. 3 is a rear view of the embodiment of FIG. 1.  
 FIG. 4 is a top view of the embodiment of FIG. 1.  
 FIG. 5 is a bottom view of the embodiment of FIG. 1.  
 FIG. 6 is a left view of the embodiment of FIG. 1; and, FIG. 7 is a right view of the embodiment of FIG. 1.  
 The ornamental design which is claimed is shown in solid lines in the drawings. The broken lines in the drawings form no part of the claimed design. Broken lines formed by equal length dashes show unclaimed subject matter.

**1 Claim, 3 Drawing Sheets**



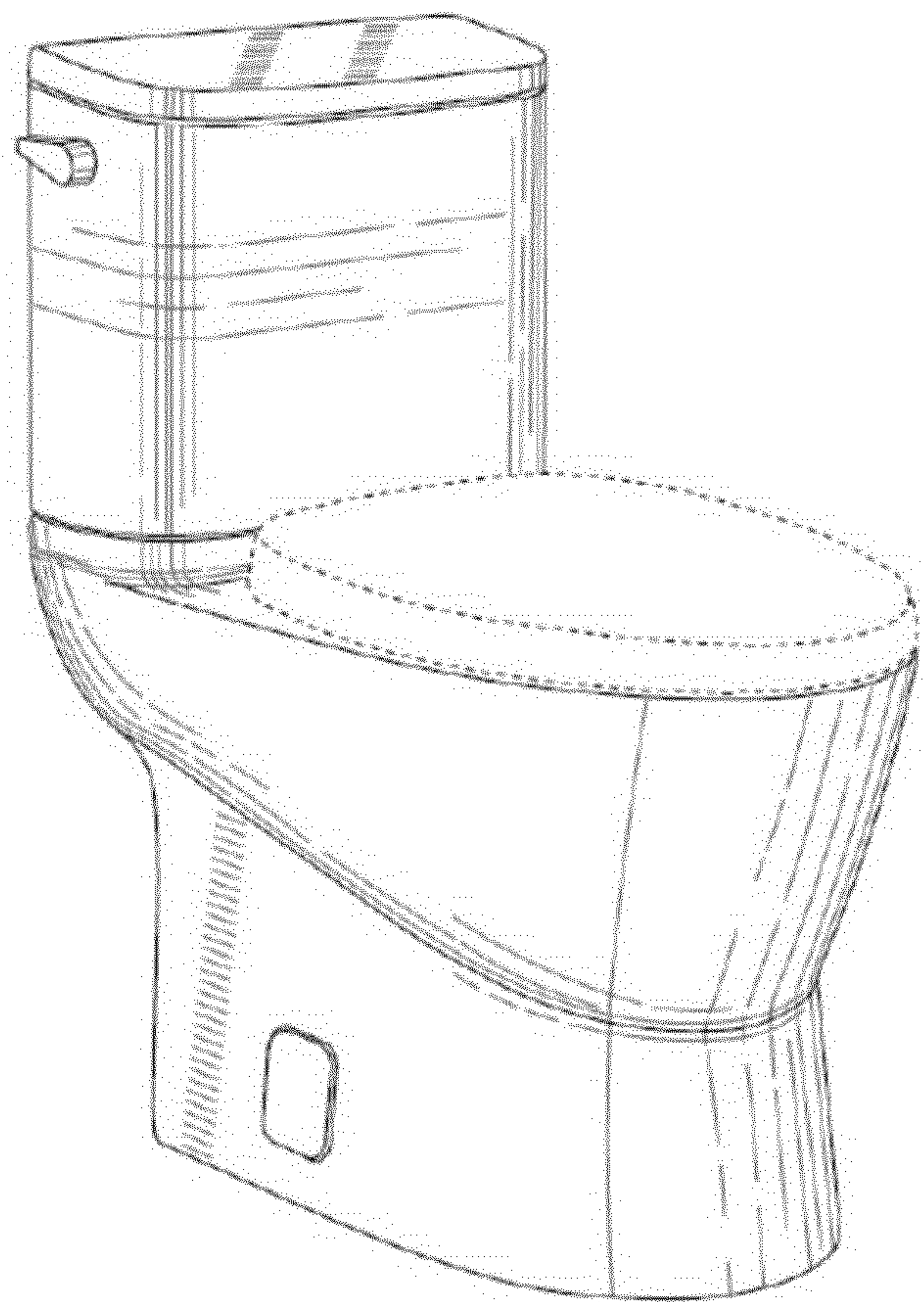


FIG. 1

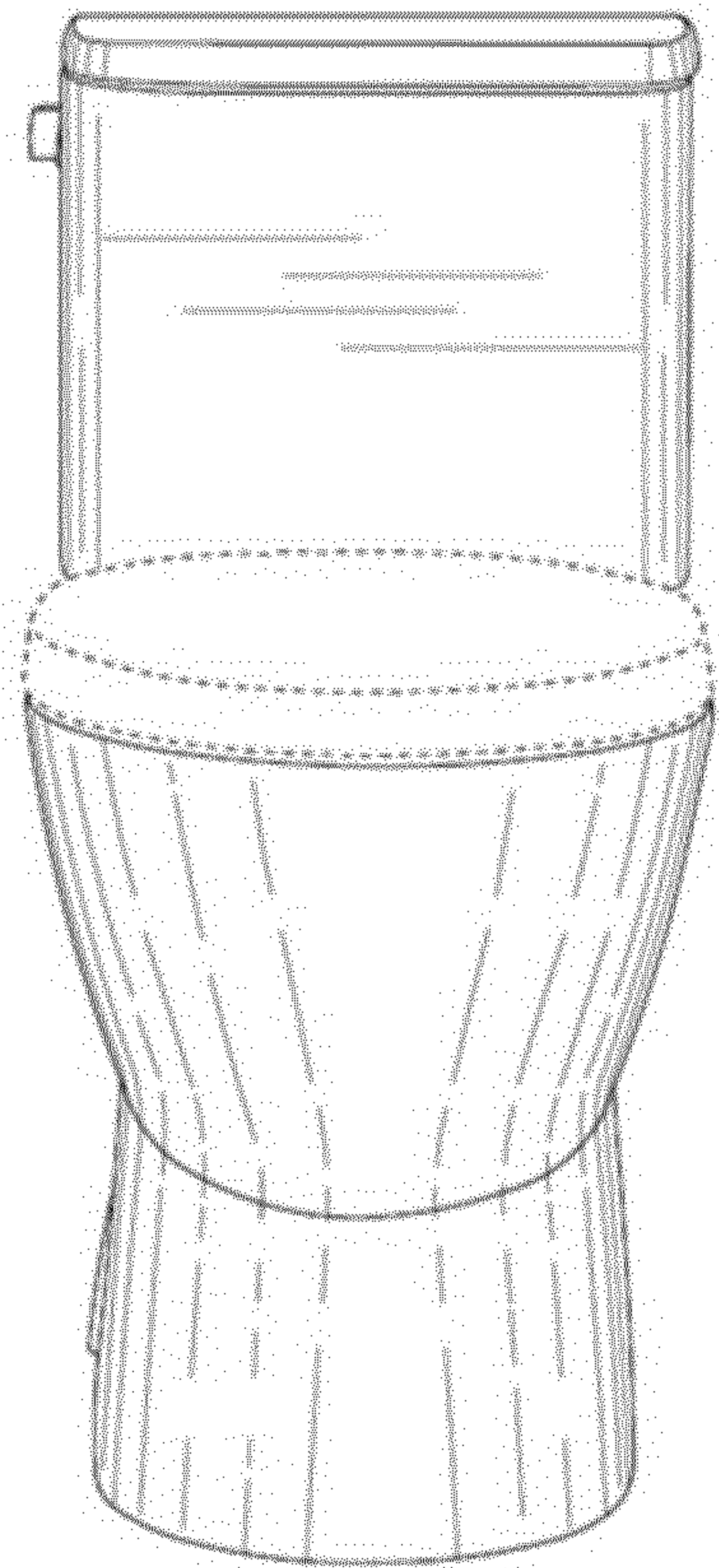


FIG. 2

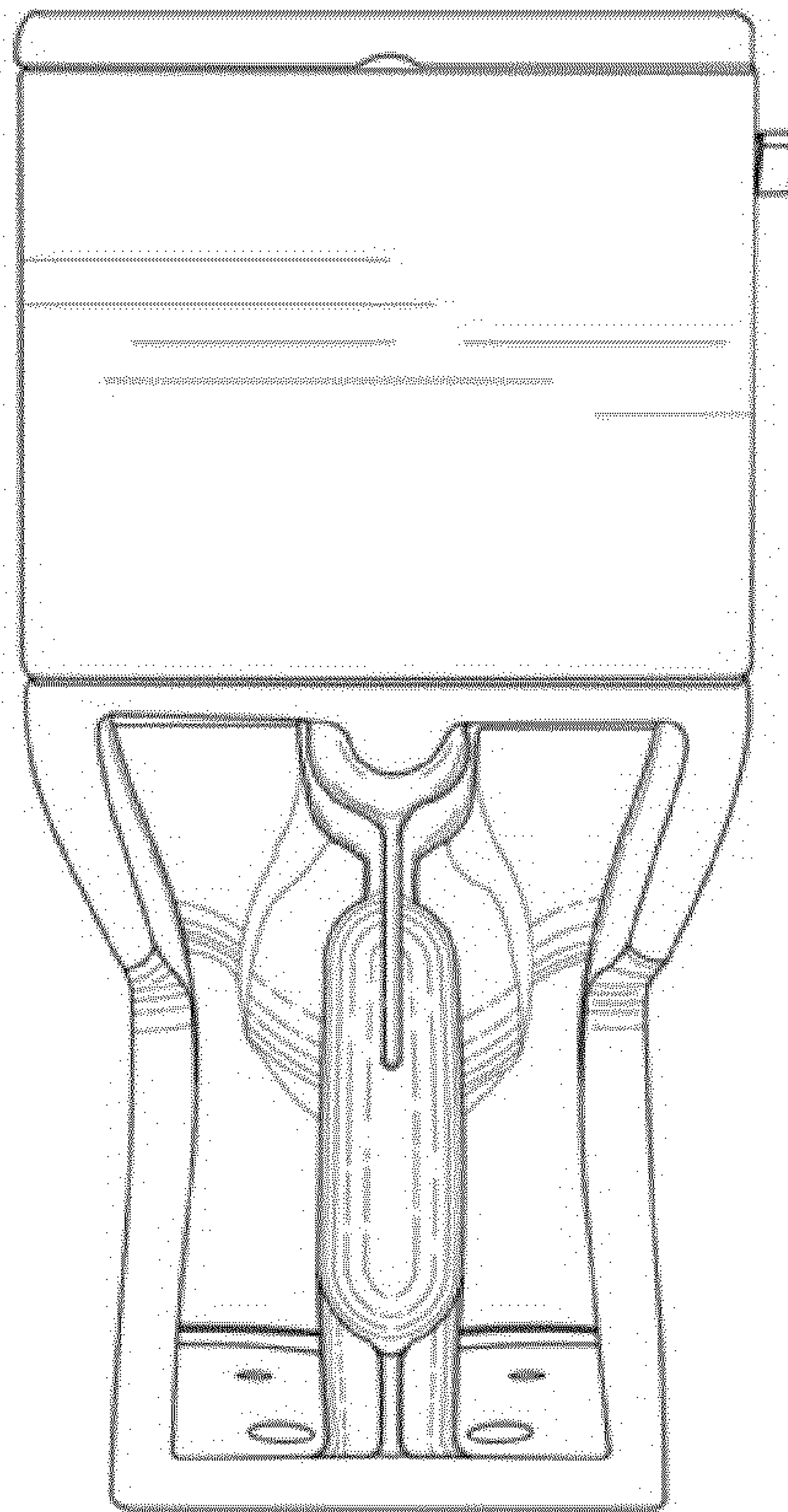


FIG. 3

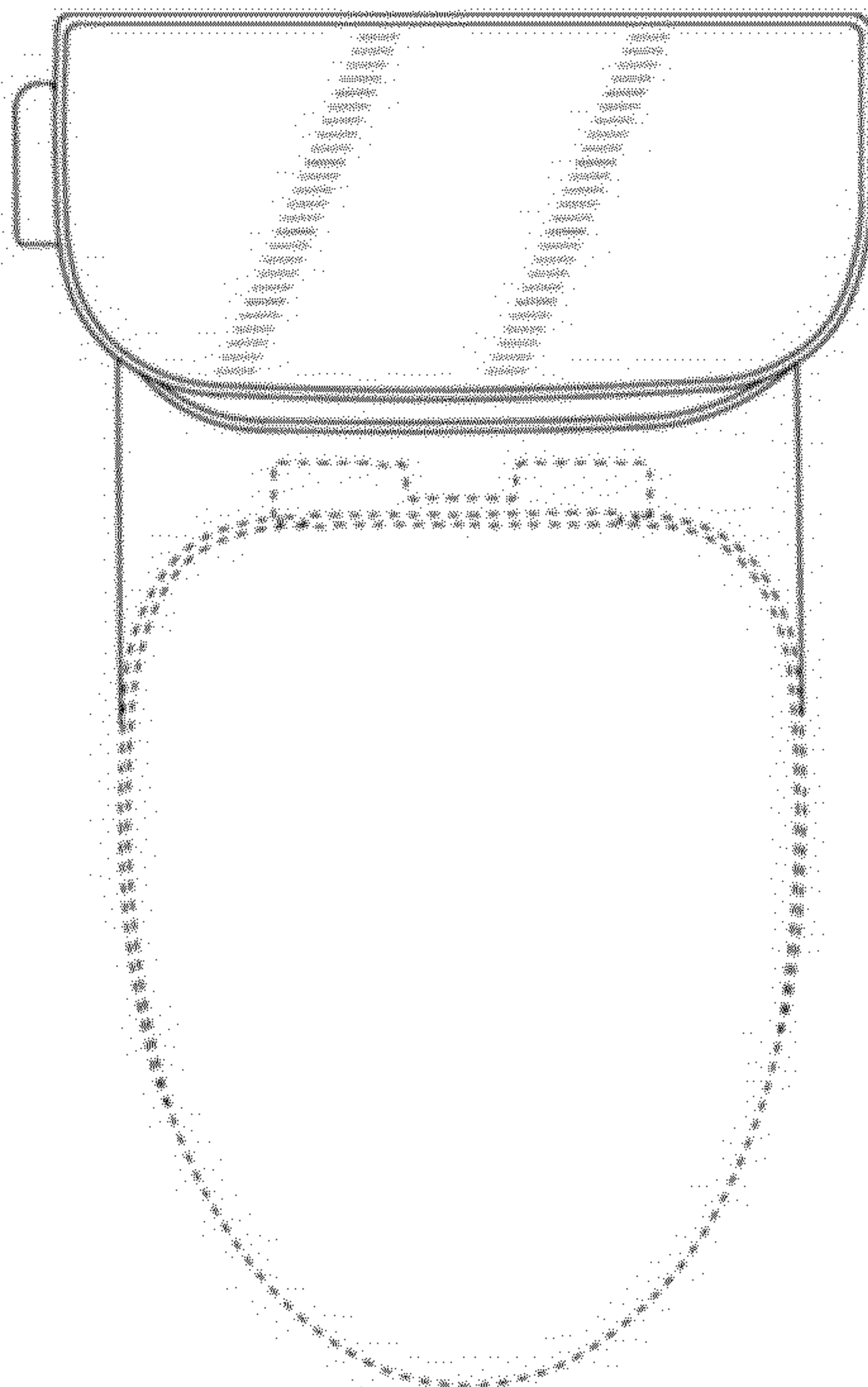


FIG. 4

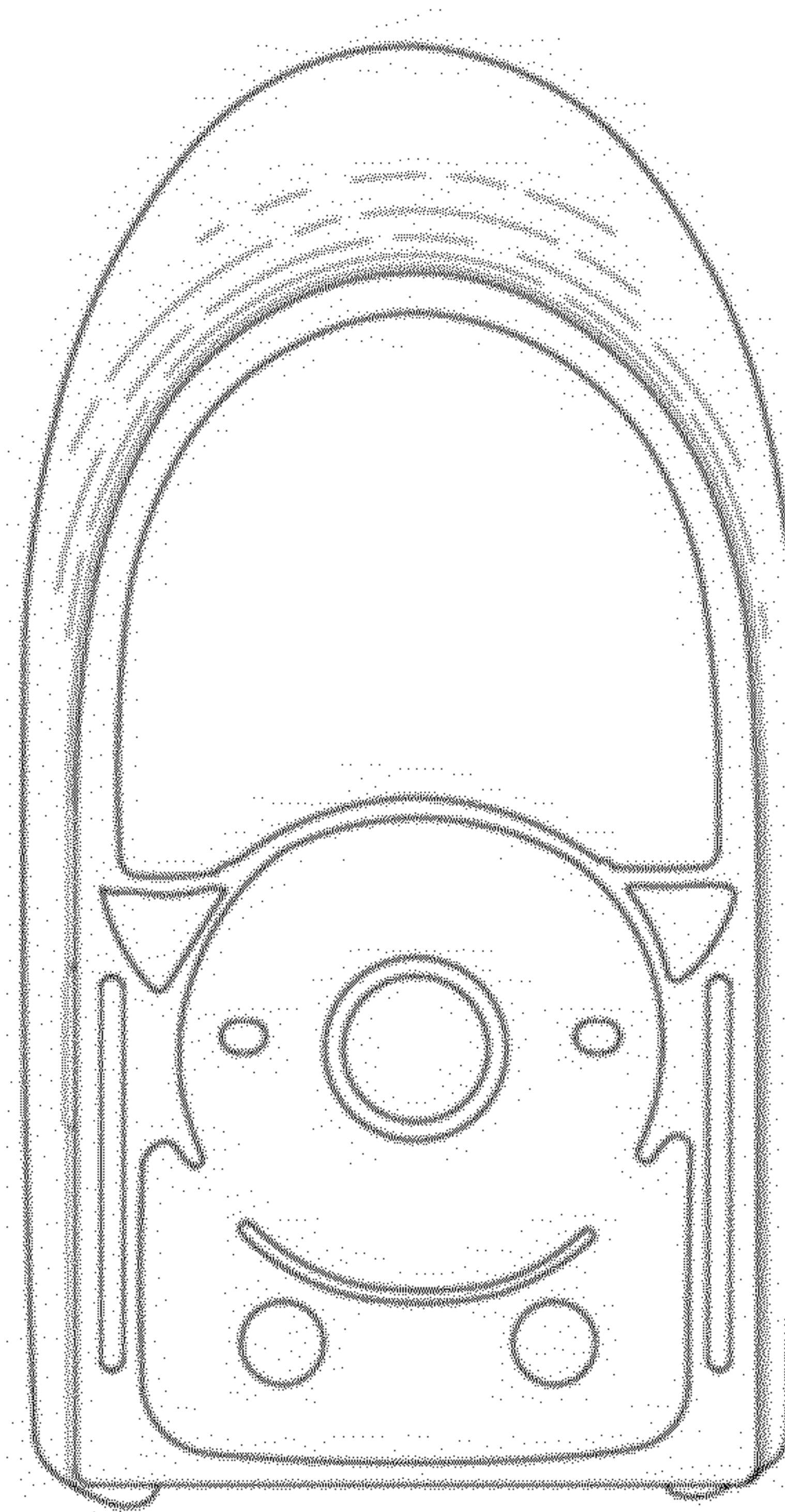


FIG. 5



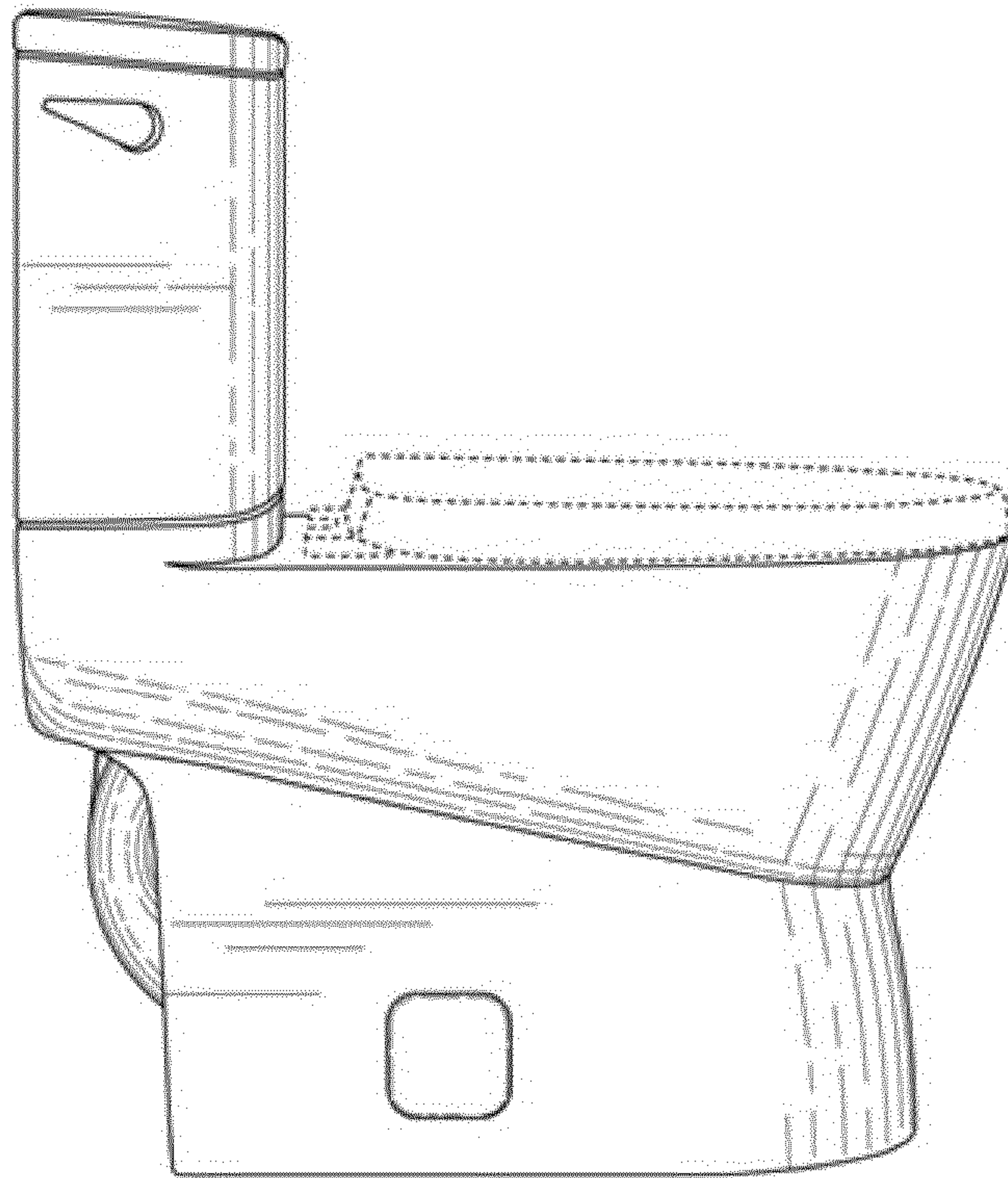


FIG.6

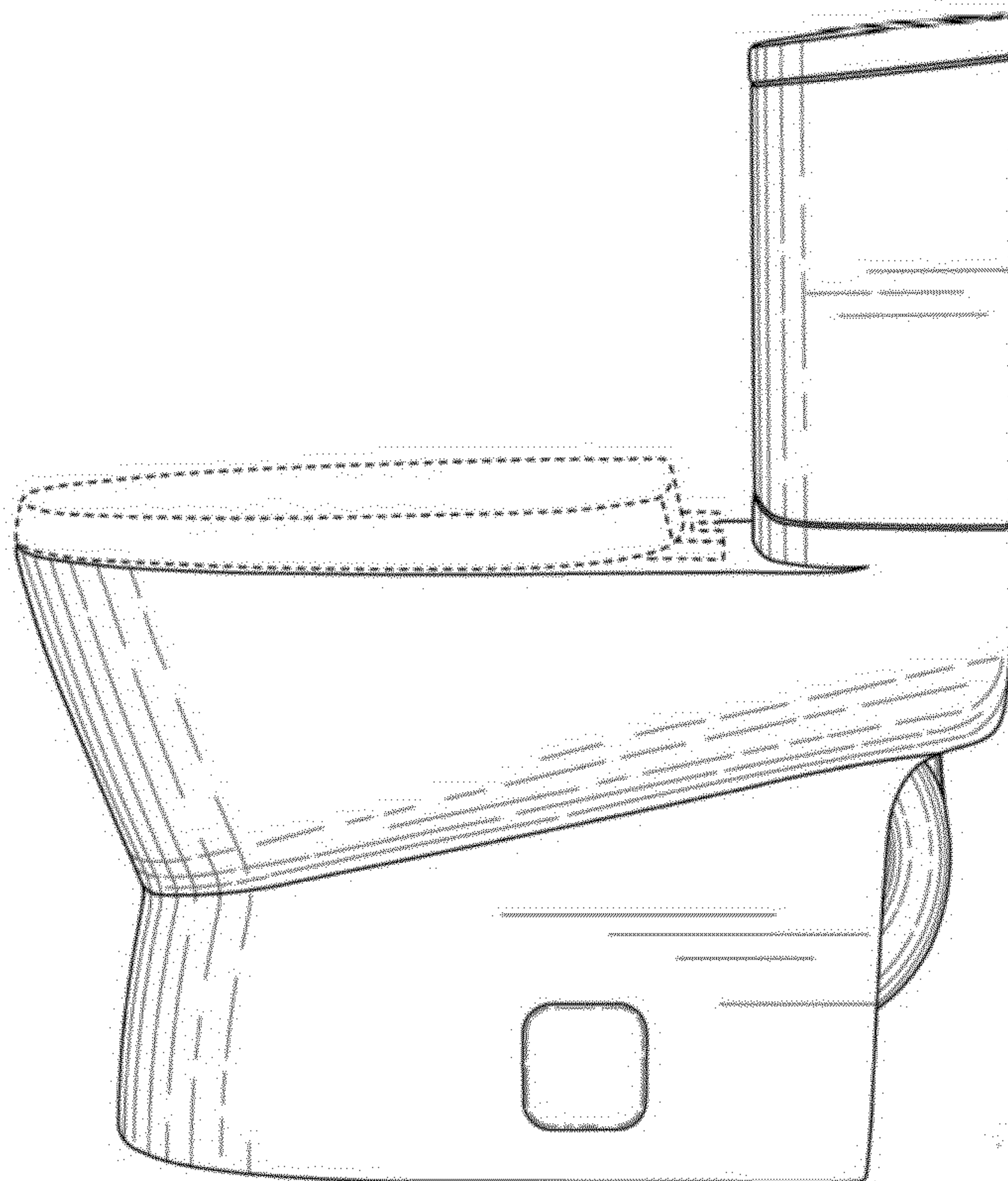


FIG.7

UNITED STATES PATENT AND TRADEMARK OFFICE  
**CERTIFICATE OF CORRECTION**

PATENT NO. : D880,664 S  
APPLICATION NO. : 29/659456  
DATED : April 7, 2020  
INVENTOR(S) : Shi Songjie

Page 1 of 5

It is certified that error appears in the above-identified patent and that said Letters Patent is hereby corrected as shown below:

On the Title Page

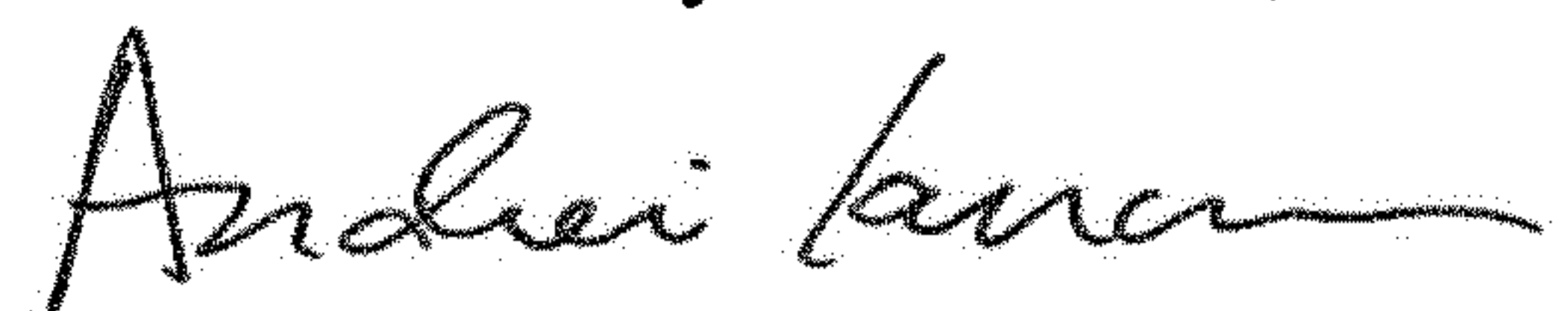
Delete the title page and substitute therefore with the attached title page consisting of the corrected illustrative figure.

In the Drawings

Please replace FIGS. 1-7 with FIGS. 1-7 as shown on the attached pages.

This certificate supersedes the Certificate of Correction issued August 11, 2020.

Signed and Sealed this  
Thirteenth Day of October, 2020



Andrei Iancu  
*Director of the United States Patent and Trademark Office*

(12) **United States Design Patent** (10) **Patent No.:** **US D880,664 S**  
**Songjie** (45) **Date of Patent:** **\*\* Apr. 7, 2020**

(54) **TOILET** D617,885 S \* 6/2010 Cummings ..... D23/313  
 D694,378 S \* 11/2013 Bates ..... D23/313  
 2019/0249404 A1\* 8/2019 Shinohara ..... E03D 5/10  
 (71) Applicant: **BATH-TECH INDUSTRIAL CO., LTD., Beijing (CN)** \* cited by examiner

(72) Inventor: **Shi Songjie, Beijing (CN)** *Primary Examiner* — Robert A Delehanty  
 (\*\*) Term: **15 Years** (74) *Attorney, Agent, or Firm* — Keith Swedo

(21) Appl. No.: **29/659,456**

(57) **CLAIM**

I claim the ornamental design for a toilet, as shown and described.

(22) Filed: **Aug. 9, 2018**

(51) **LOC (12) CL.** ..... **23-02**

(52) **U.S. CL.**  
 USPC ..... **D23/301**

**DESCRIPTION**

(58) **Field of Classification Search**  
 USPC ..... D23/295, 301, 309, 313  
 CPC ... E03D 1/00; E03D 1/01; E03D 1/012; E03D 1/04; E03D 1/06; E03D 1/08; E03D 1/28; E03D 1/13; E03D 2201/30; E03D 11/08; E03D 11/18; E03D 13/00; D03D 5/10; A47K 11/00

FIG. 1 is a perspective view of an embodiment of the claimed design.  
 FIG. 2 is a front view of the embodiment of FIG. 1.  
 FIG. 3 is a rear view of the embodiment of FIG. 1.  
 FIG. 4 is a top view of the embodiment of FIG. 1.  
 FIG. 5 is a bottom view of the embodiment of FIG. 1.  
 FIG. 6 is a left view of the embodiment of FIG. 1; and, FIG. 7 is a right view of the embodiment of FIG. 1.  
 The ornamental design which is claimed is shown in solid lines in the drawings. The broken lines in the drawings form no part of the claimed design. Broken lines formed by equal length dashes show unclaimed subject matter.

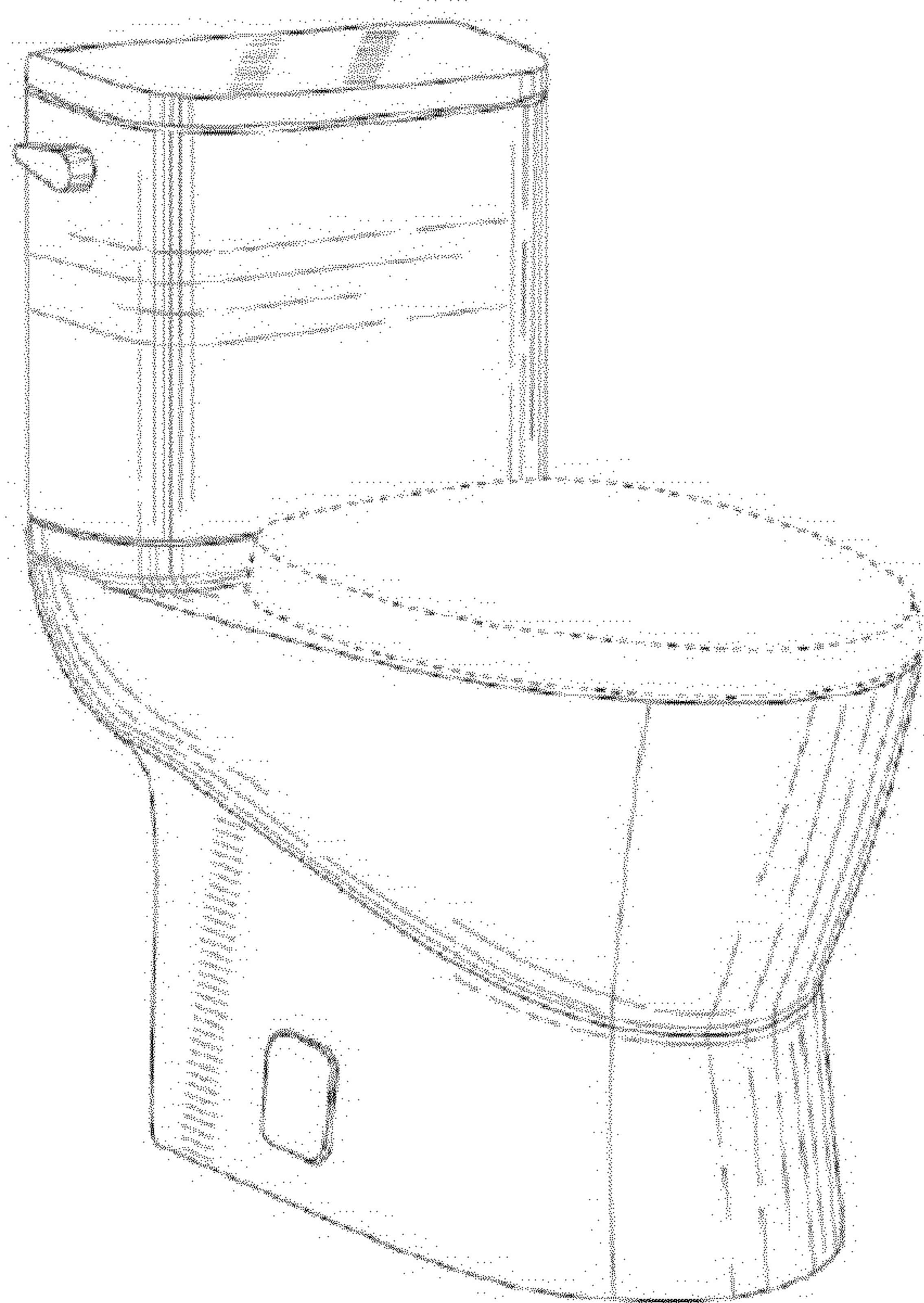
See application file for complete search history.

(56) **References Cited**

**U.S. PATENT DOCUMENTS**

D457,608 S \* 5/2002 Moll ..... D23/301  
 D582,530 S \* 12/2008 Cummings ..... D23/301

**1 Claim, 3 Drawing Sheets**



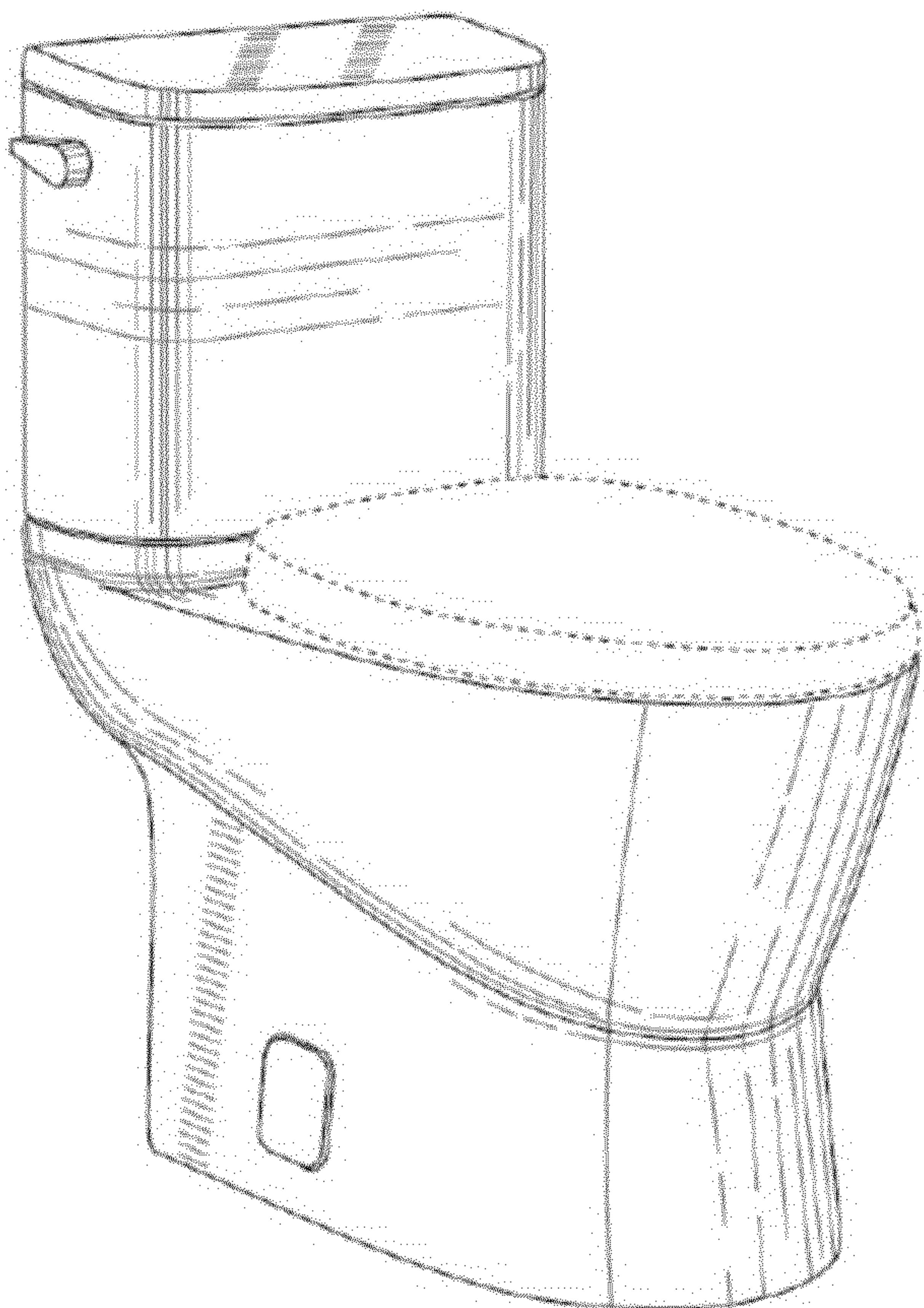


FIG. 1

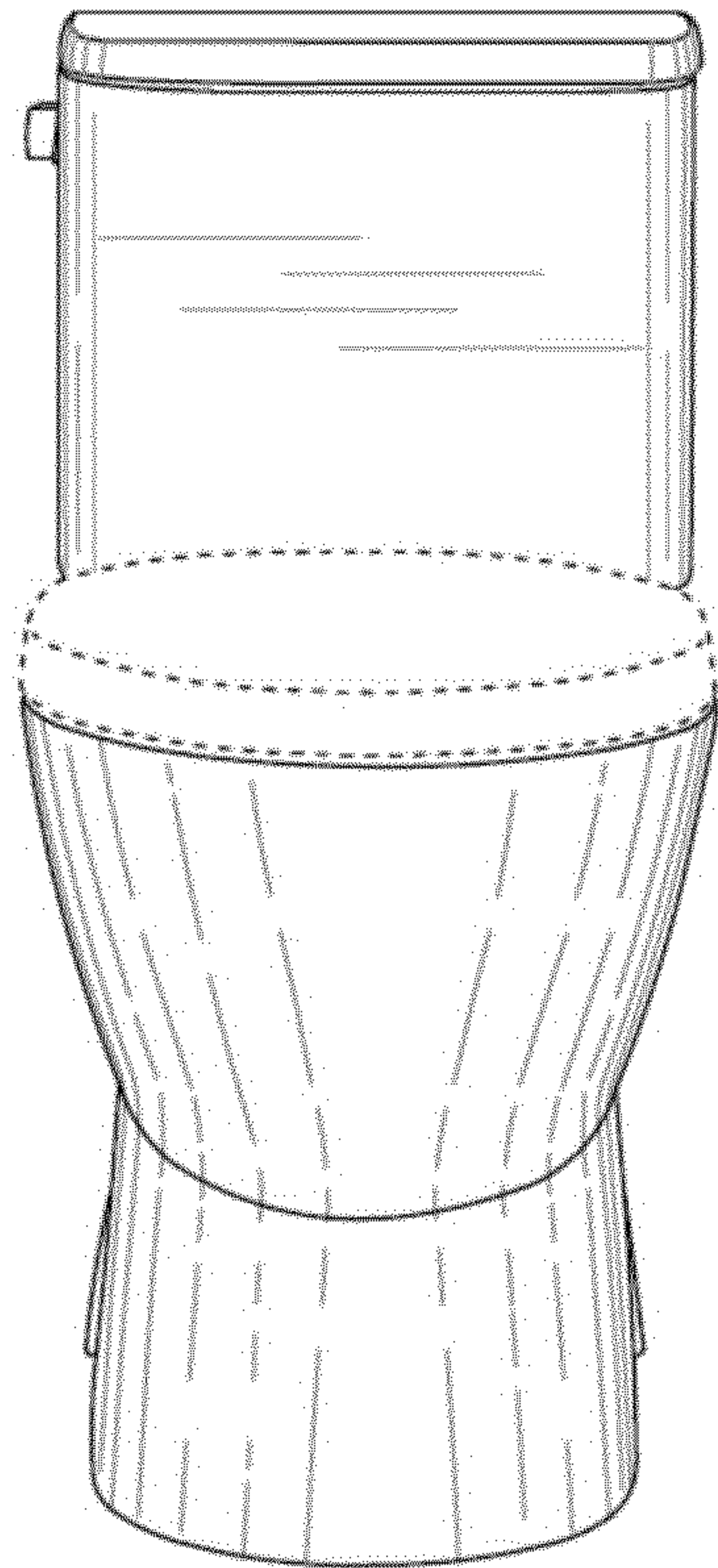


FIG. 2

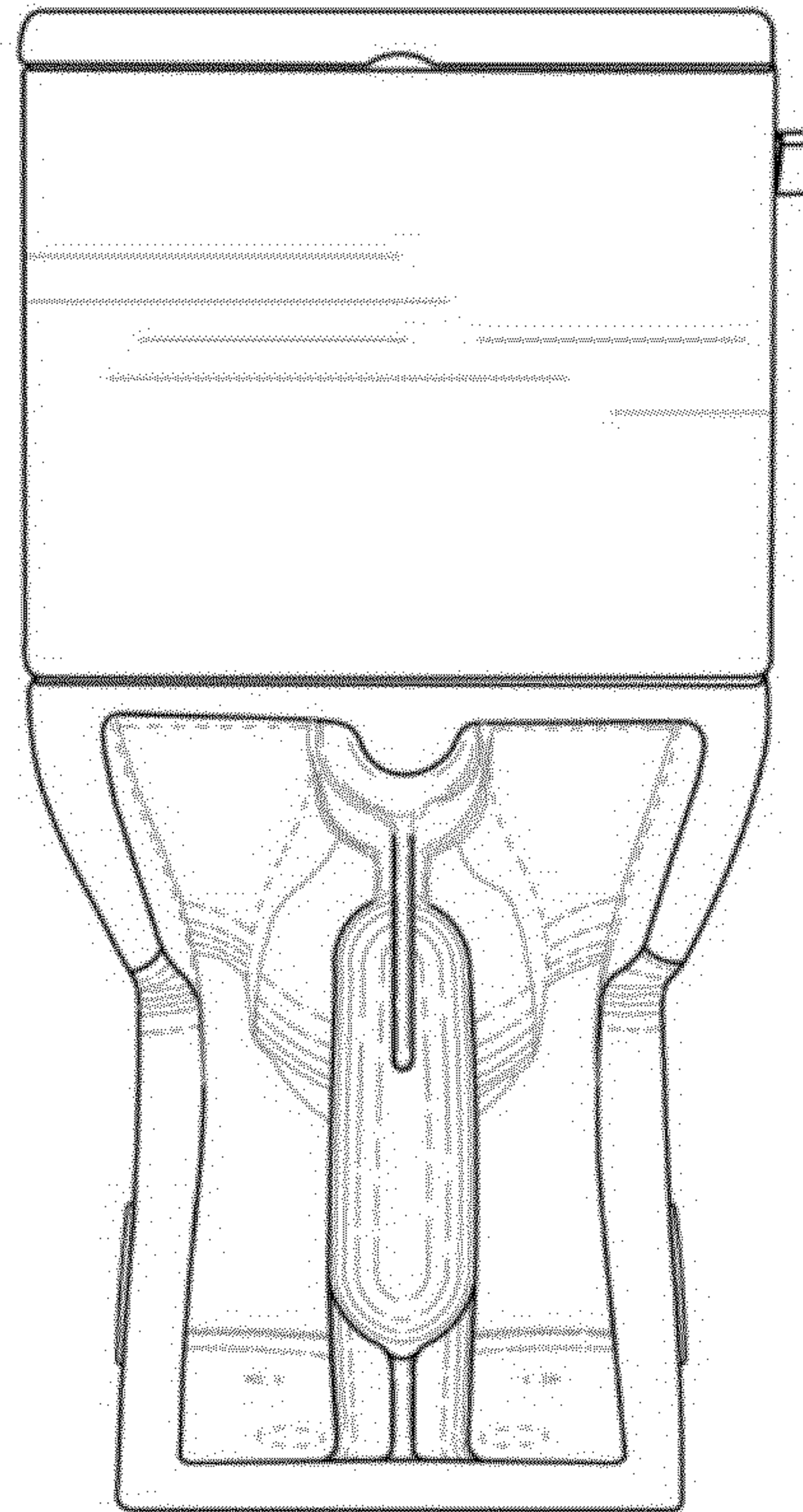


FIG. 3

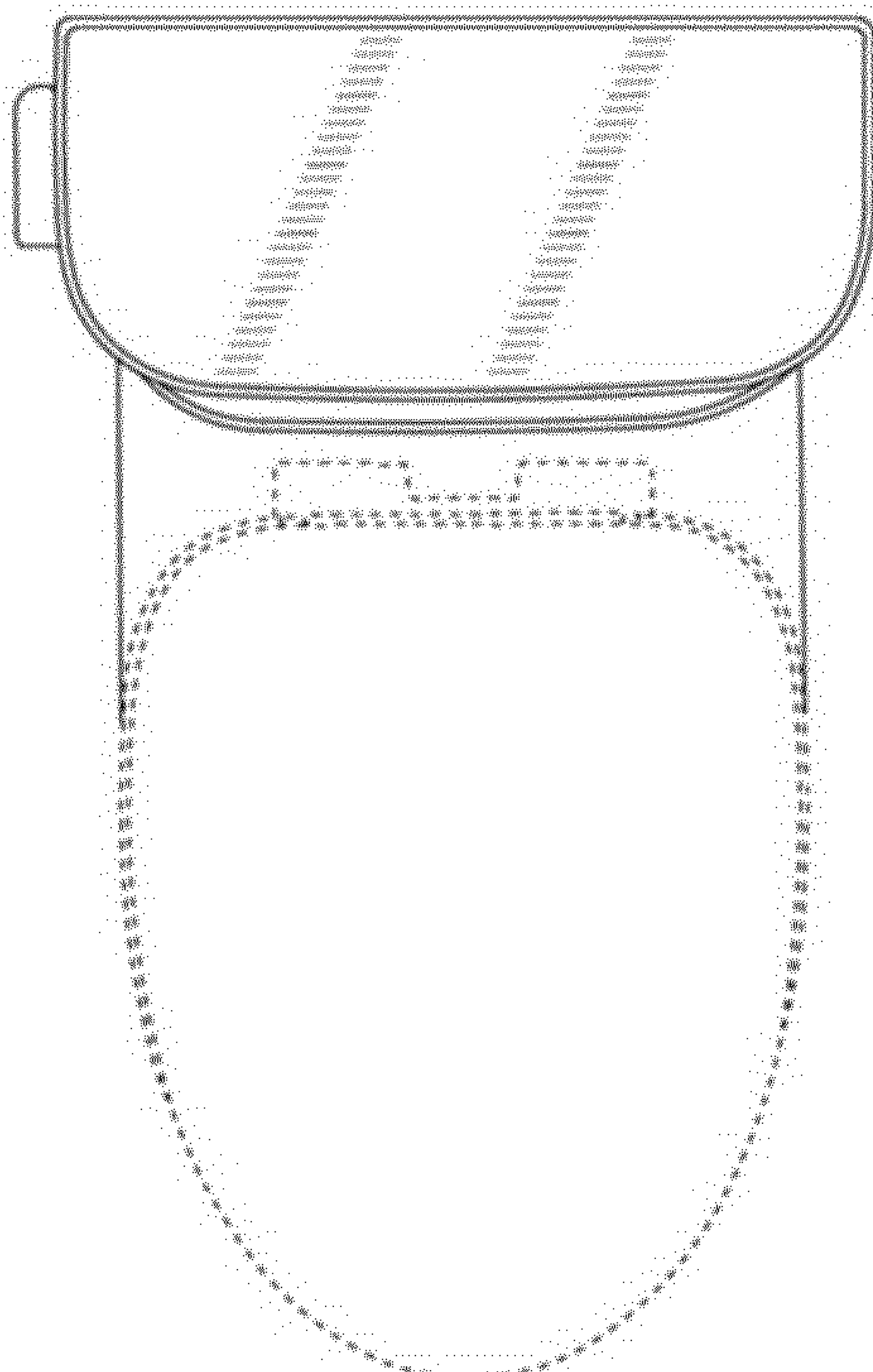


FIG. 4

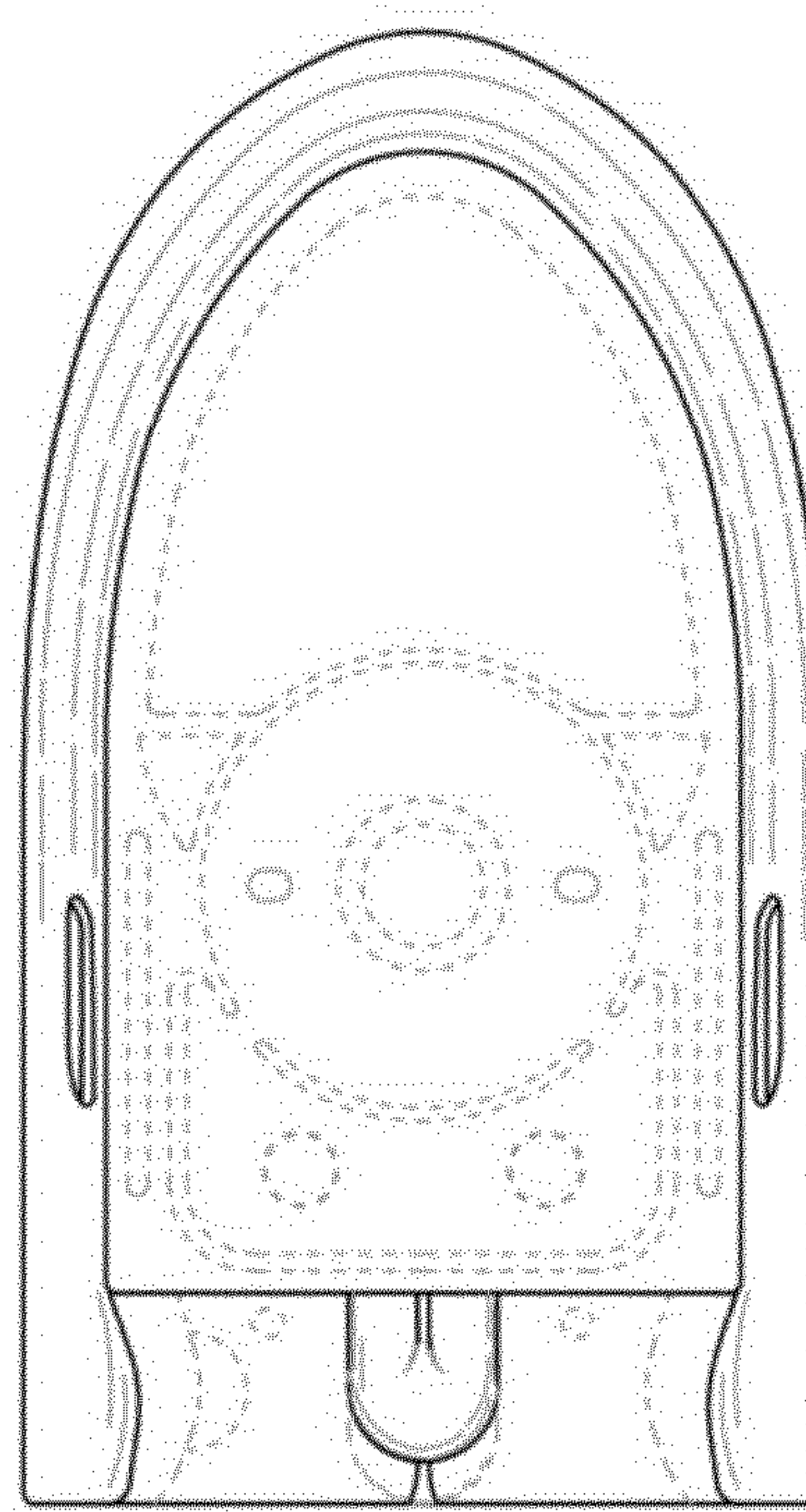


FIG. 5

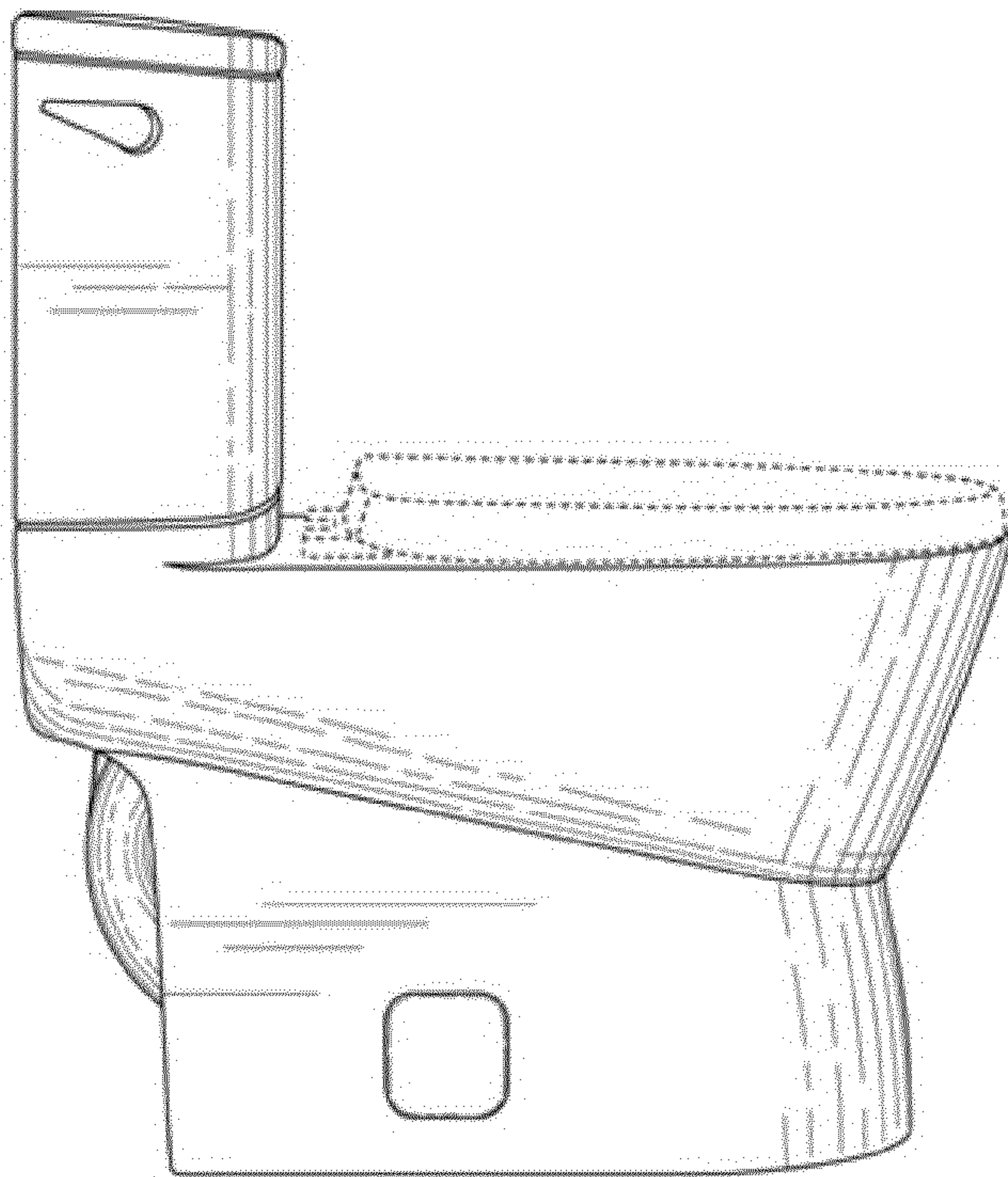


FIG.6

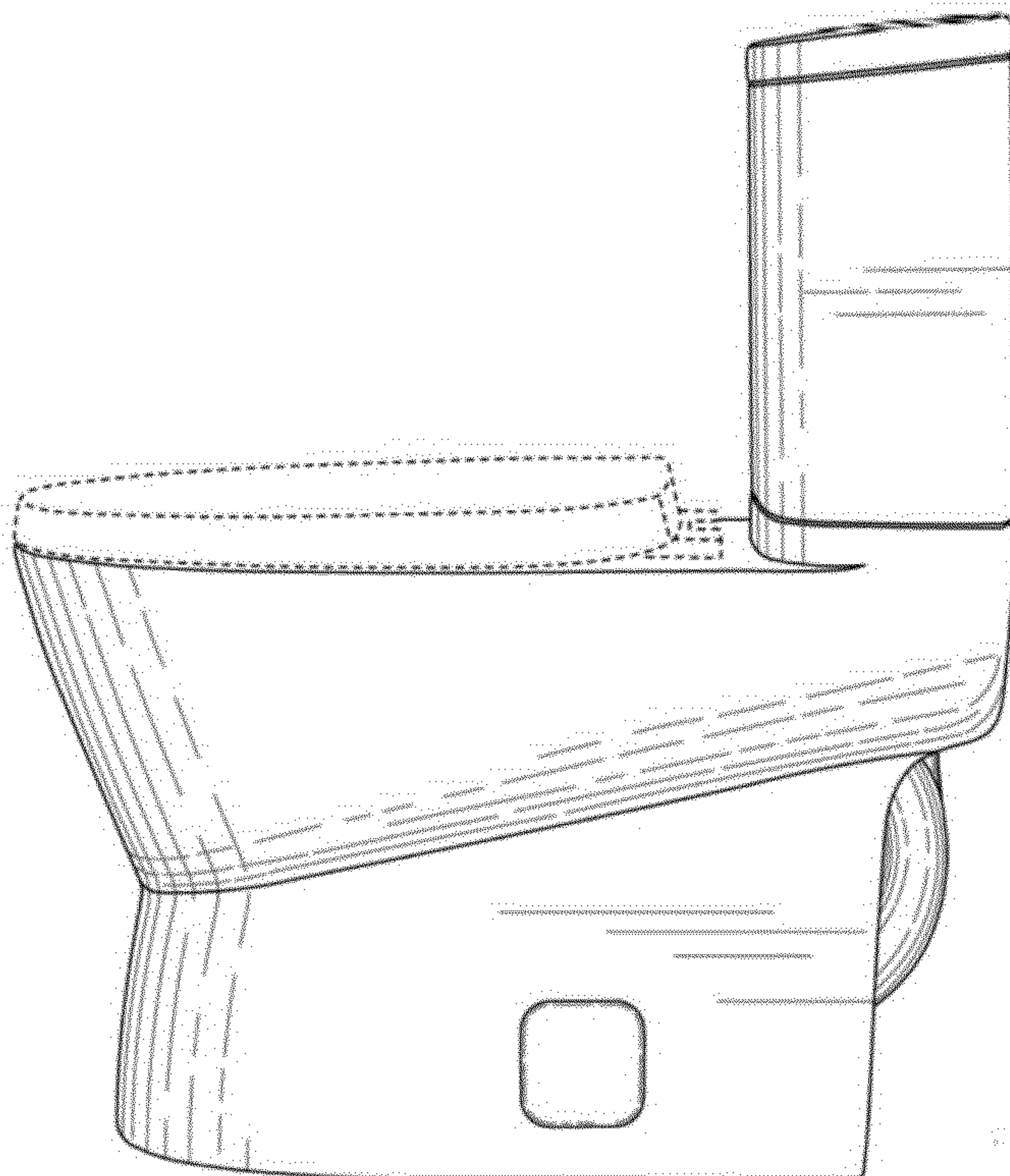


FIG.7