



US00D880663S

(12) **United States Design Patent** (10) **Patent No.:** **US D880,663 S**
Seum et al. (45) **Date of Patent:** **** Apr. 7, 2020**

(54) **WASH BASIN**
(71) Applicant: **Grohe AG**, Hemer (DE)
(72) Inventors: **Michael Seum**, Duesseldorf (DE);
Duarte Salvador, Duesseldorf (DE)

D624,992 S * 10/2010 Maitre D23/284
D745,122 S * 12/2015 Schonherr D23/284
D745,646 S * 12/2015 Schonherr D23/284
D745,951 S * 12/2015 Schonherr D23/284
D810,896 S * 2/2018 Streng D23/293.1
D812,728 S * 3/2018 Kergoet D23/293.1
D825,038 S * 8/2018 Corpuz D23/293.1

(73) Assignee: **Grohe AG**, Hemer (DE)

* cited by examiner

(**) Term: **15 Years**

Primary Examiner — Robert A Delehanty

(21) Appl. No.: **29/677,906**

(74) *Attorney, Agent, or Firm* — Muncy, Geissler, Olds & Lowe, P.C.

(22) Filed: **Jan. 24, 2019**

(57) **CLAIM**

The ornamental design for a wash basin, as shown and described.

(30) **Foreign Application Priority Data**

DESCRIPTION

Jul. 26, 2018 (EM) 005514999-0002

(51) **LOC (12) Cl.** **23-02**

FIG. 1 is a front perspective view of a wash basin according to the present invention.

(52) **U.S. Cl.**
USPC **D23/293.1**

FIG. 2 is a front view of the wash basin of FIG. 1.

(58) **Field of Classification Search**
USPC D23/284, 293.1, 308, 285–292
See application file for complete search history.

FIG. 3 is a rear view of the wash basin of FIG. 1.

FIG. 4 is a left side view of the wash basin of FIG. 1.

FIG. 5 is a right side view of the wash basin of FIG. 1.

FIG. 6 is a top view of the wash basin of FIG. 1; and,

FIG. 7 is a bottom view of the wash basin of FIG. 1.

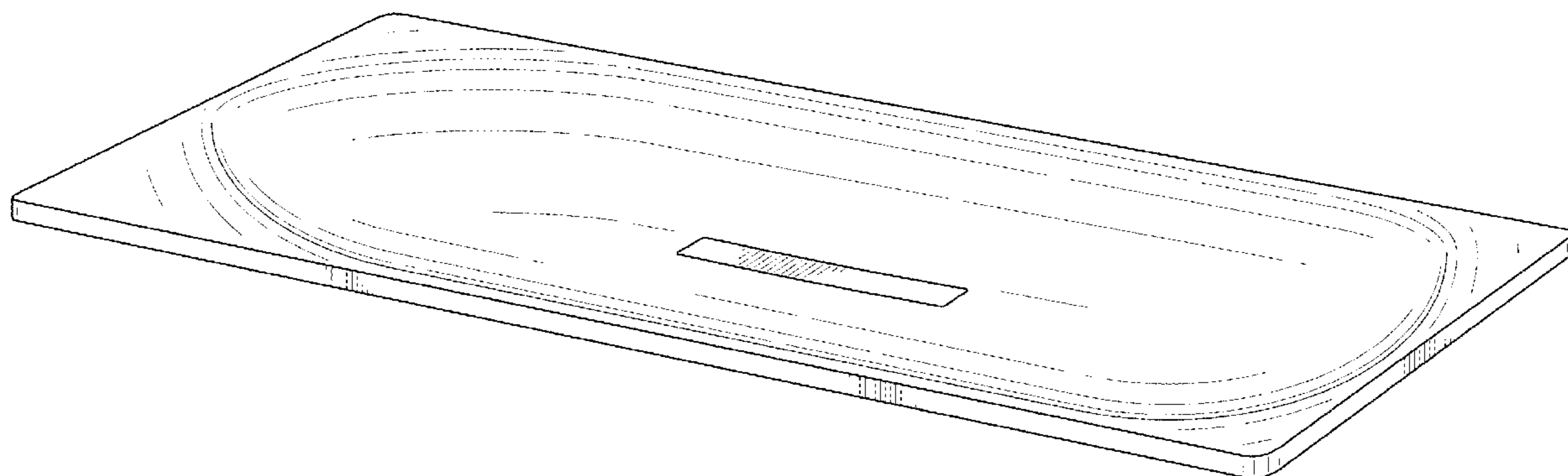
The dashed lines illustrate environment that does not form a part of the present invention, and no claim is made to the material illustrated with dashed lines.

(56) **References Cited**

U.S. PATENT DOCUMENTS

D538,905 S * 3/2007 Wano D23/293.1
D598,990 S * 8/2009 Durringer D23/284

1 Claim, 7 Drawing Sheets



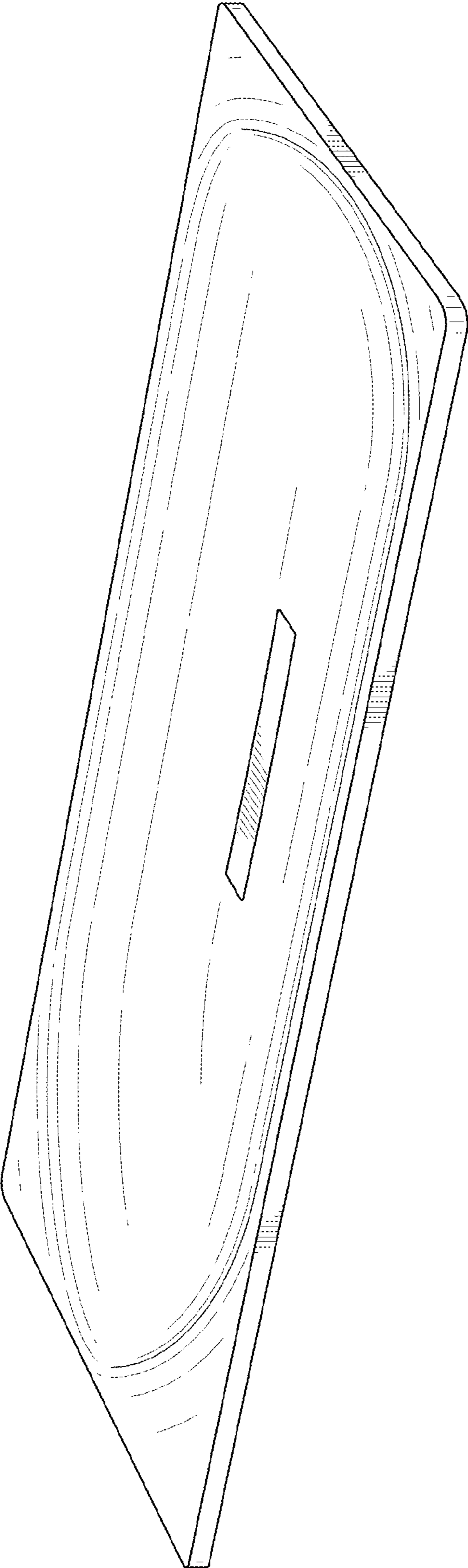


FIG.1

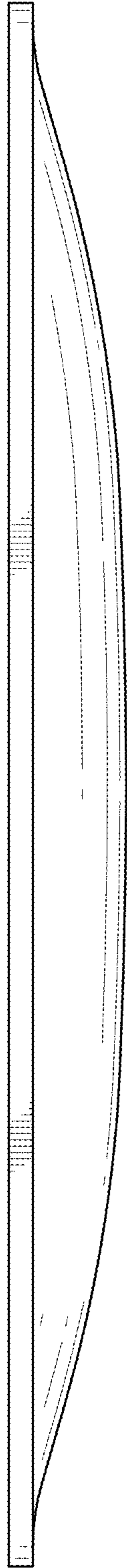


FIG.2

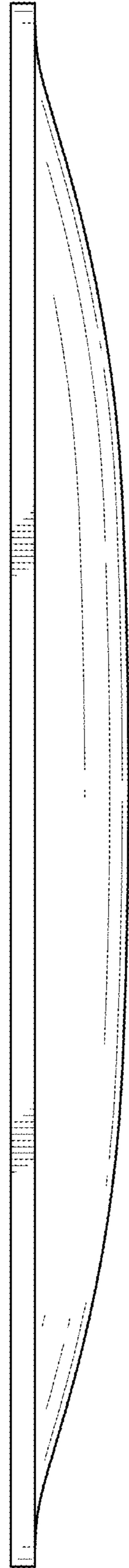


FIG.3

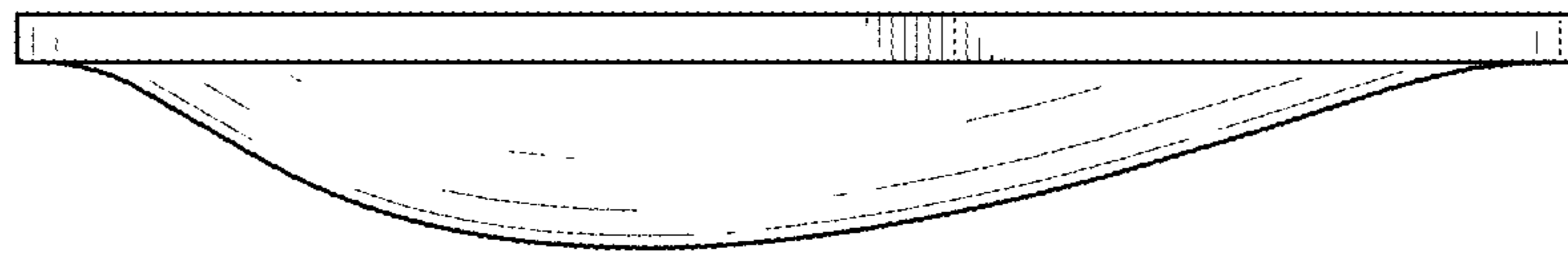


FIG.4

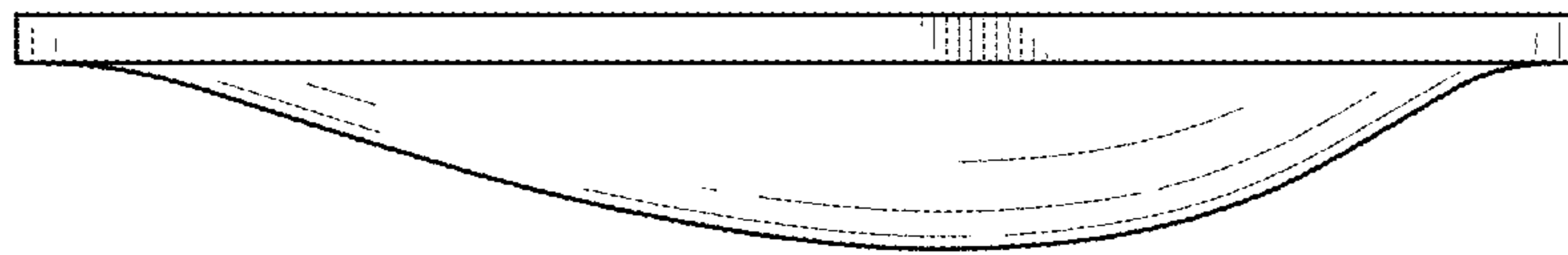


FIG.5

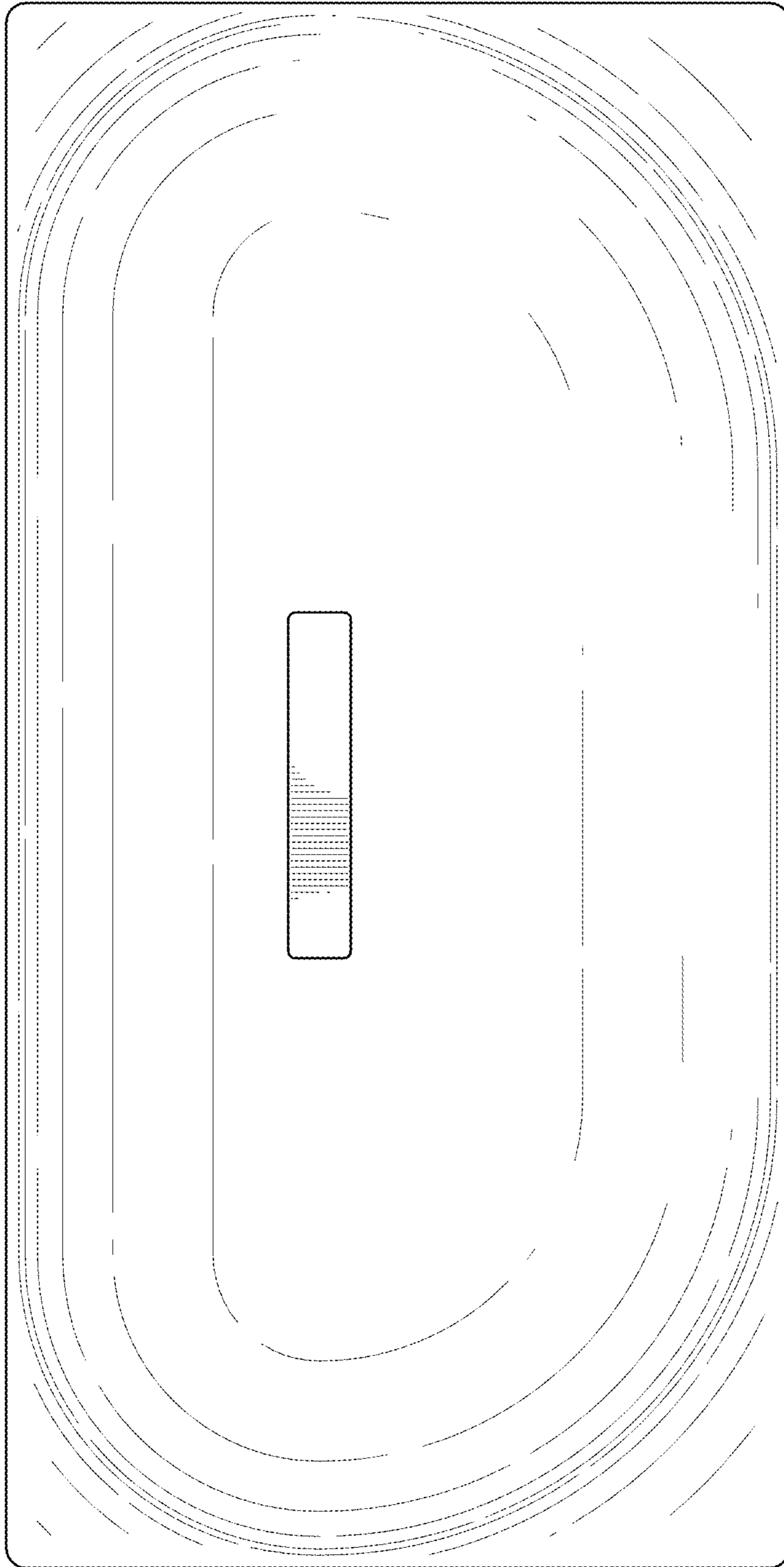


FIG.6

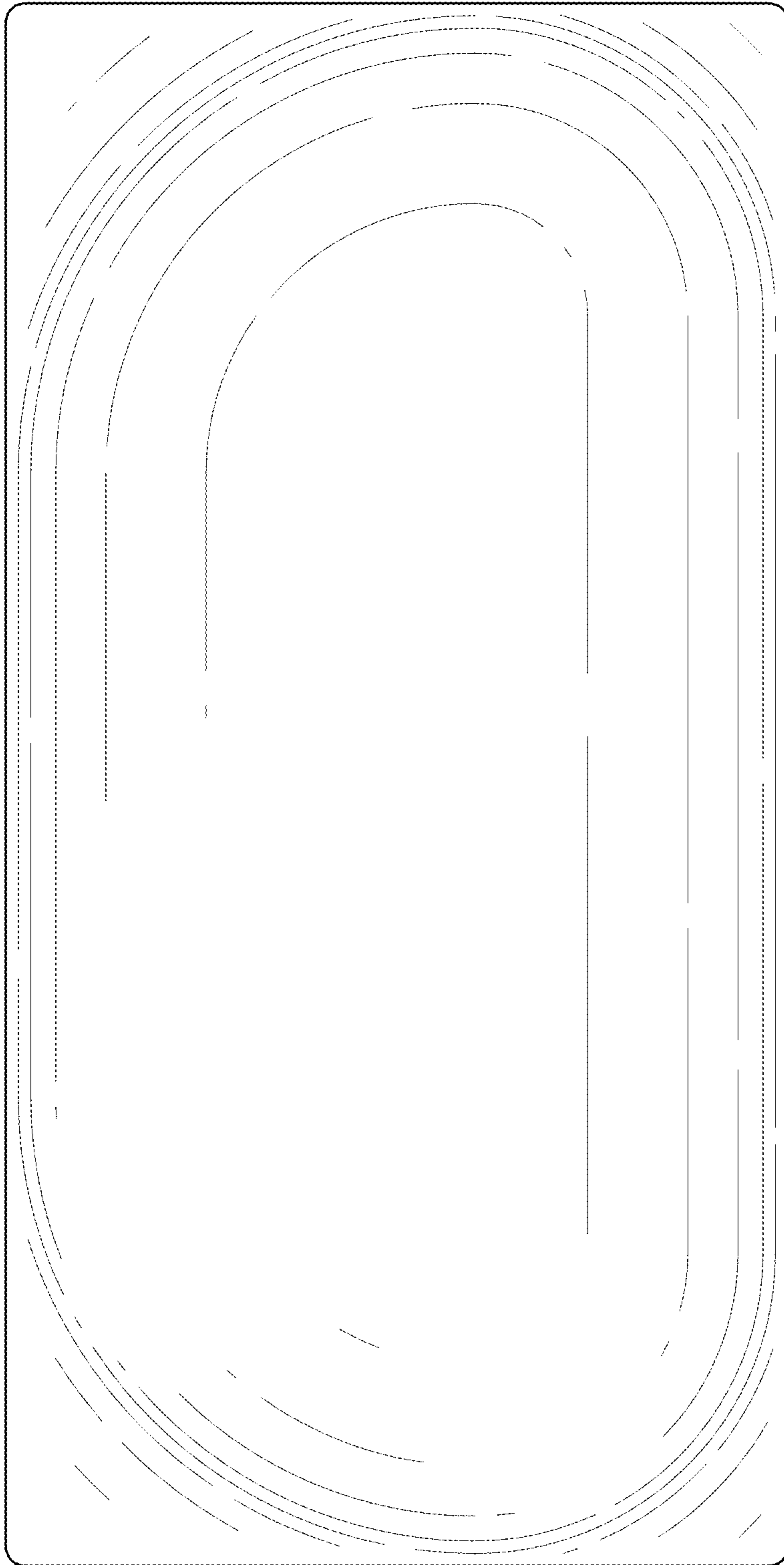


FIG.7