



US00D880661S

(12) **United States Design Patent**  
**Foster et al.**

(10) **Patent No.: US D880,661 S**  
(45) **Date of Patent: \*\* \*Apr. 7, 2020**

- (54) **TAPERED VALVE SEAT**
- (71) Applicant: **Kerr Machine Co.**, Sulphur, OK (US)
- (72) Inventors: **Kelcy Jake Foster**, Ardmore, OK (US);  
**Mark S. Nowell**, Ardmore, OK (US);  
**Christopher Todd Barnett**, Stratford, OK (US)
- (73) Assignee: **Kerr Machine Co.**, Sulphur, OK (US)
- (\*) Notice: This patent is subject to a terminal disclaimer.
- (\*\*) Term: **15 Years**
- (21) Appl. No.: **29/614,954**
- (22) Filed: **Aug. 24, 2017**
- (51) **LOC (12) Cl.** ..... **23-01**
- (52) **U.S. Cl.**  
USPC ..... **D23/269**; D23/249
- (58) **Field of Classification Search**  
USPC ..... D23/259, 269, 262, 233, 249;  
285/42-50, 7, 80, 81, 87, 91, 92, 105,  
285/110, 337, 339, 368, 374, 133.21, 328,  
285/330, 358, 394-395, 285, 921;  
277/305, 311, 314, 316, 361-364, 374,  
277/382, 393-395, 397, 399, 416-420,  
277/465, 479, 487, 504, 512, 521,  
277/543-549, 562-563, 572, 632;  
403/311, 350, 409.1; 251/306, 314, 328,  
251/359  
CPC .... F16J 15/02; F16J 15/06; F16J 15/08; F16J  
15/18; F16J 15/20; F16J 15/24; F16J  
15/106; F16J 15/164; F16J 15/441; F16J  
15/025; F16J 15/10; F16J 15/061; F16J  
15/002; F16J 15/102; F16J 15/104; F16L  
15/121; F16L 21/007; F16L 21/08; F16L  
21/035; F16L 21/04; F16L 9/045; F16L  
37/0845; F16L 19/005; F16L 19/064;  
F16L 19/065; F16L 19/0283; F16L 27/08;  
F16L 2201/10; F16L 25/01; F16K

5/0207; F16K 5/0271; F16K 5/0457;  
F16K 5/0478; F16K 5/0689

See application file for complete search history.

(56) **References Cited**

U.S. PATENT DOCUMENTS

1,822,682	A *	9/1931	Weiger .....	F16K 1/42 251/360
3,474,808	A *	10/1969	Elliott .....	F04B 53/1027 137/327
5,370,148	A *	12/1994	Shafer .....	F16K 1/22 137/15.25
D383,053	S *	9/1997	Schrader .....	D23/262
6,257,626	B1 *	7/2001	Campau .....	F16L 37/0985 285/319
D616,966	S *	6/2010	Angell .....	D23/262
D631,142	S *	1/2011	Angell .....	D23/262
D731,035	S *	6/2015	Lo Cicero .....	D23/269
D737,497	S *	8/2015	Burgess .....	D26/113
D748,228	S *	1/2016	Bayyouk .....	D23/269

(Continued)

*Primary Examiner* — Amy C Wierenga

(74) *Attorney, Agent, or Firm* — Tomlinson McKinstry, P.C.

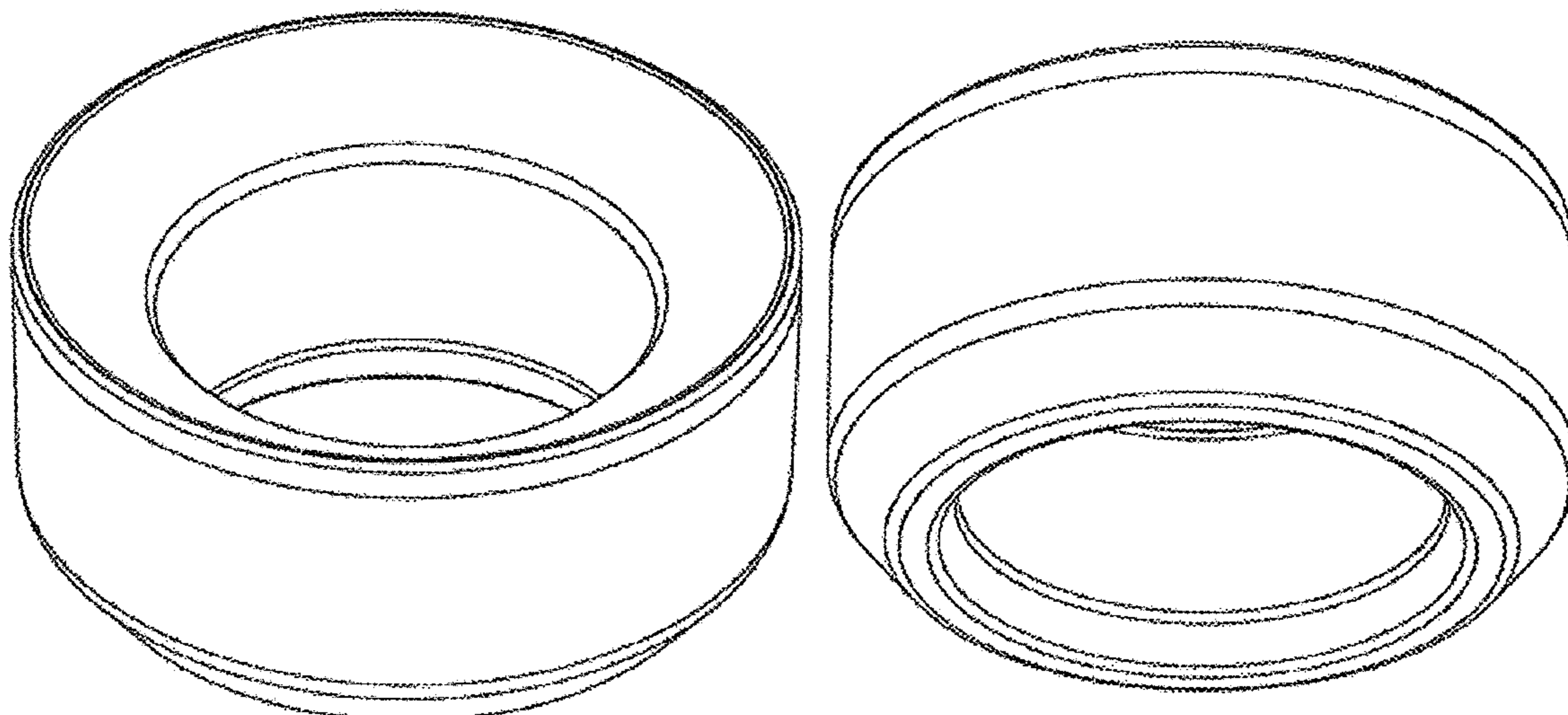
(57) **CLAIM**

The ornamental design for a tapered valve seat, as shown and described.

**DESCRIPTION**

FIG. 1 is a side plan view of a tapered valve seat showing our new design, the right side, left side, front side and back side being identical;  
 FIG. 2 is a sectional plan view taken along line 2-2 of FIG. 3 thereof;  
 FIG. 3 is a bottom plan view thereof;  
 FIG. 4 is a top plan view thereof;  
 FIG. 5 is a top perspective view thereof; and,  
 FIG. 6 is a bottom perspective view thereof.

**1 Claim, 6 Drawing Sheets**



(56)

**References Cited**

U.S. PATENT DOCUMENTS

D787,029 S \* 5/2017 Bayyouk ..... D23/269  
D806,241 S \* 12/2017 Swinney ..... D24/129  
D861,834 S \* 10/2019 Foster ..... D23/249  
2011/0173814 A1\* 7/2011 Patel ..... F04B 53/1087  
29/890.121  
2015/0084335 A1\* 3/2015 Farrell ..... F16L 19/065  
285/343

\* cited by examiner

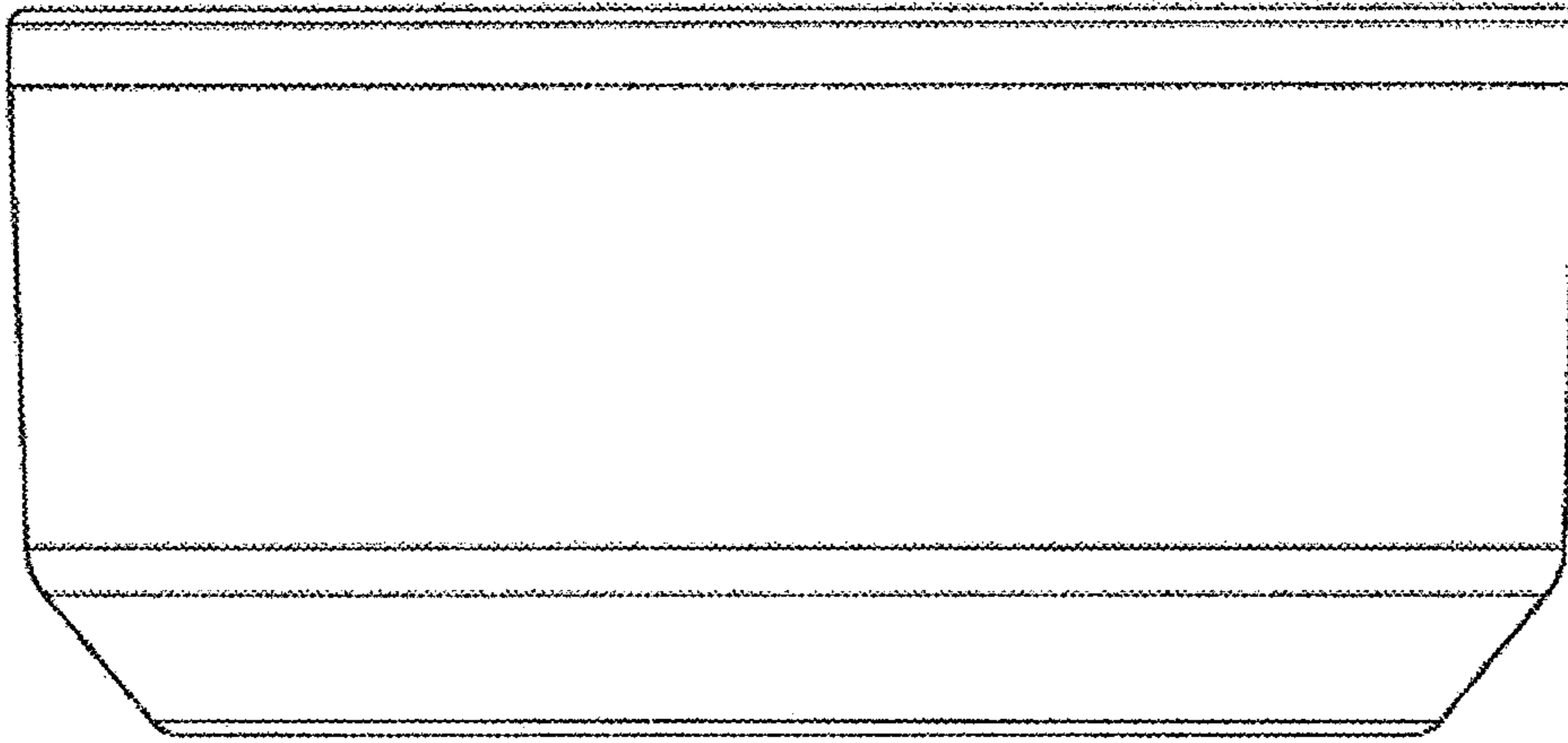


Figure 1

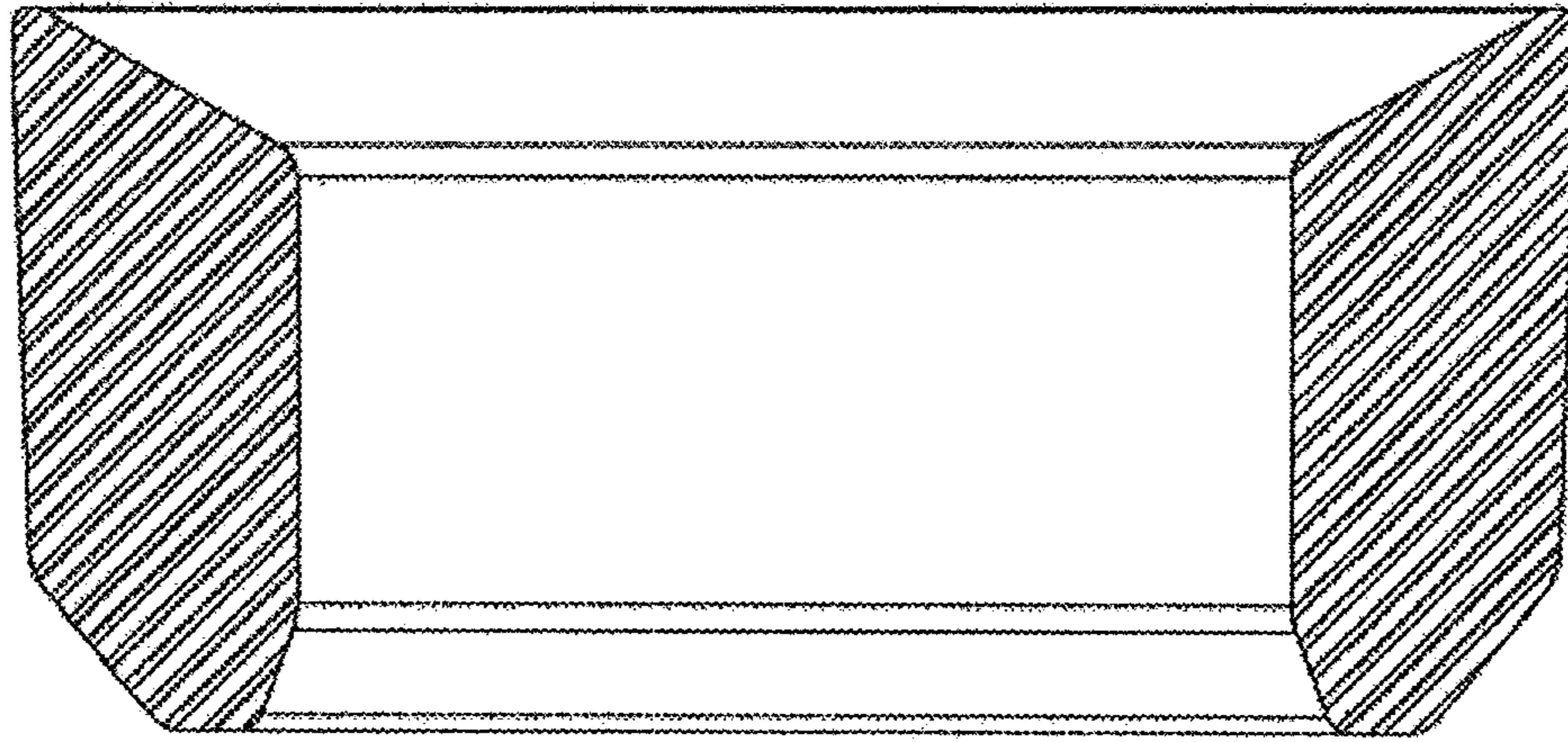


Figure 2

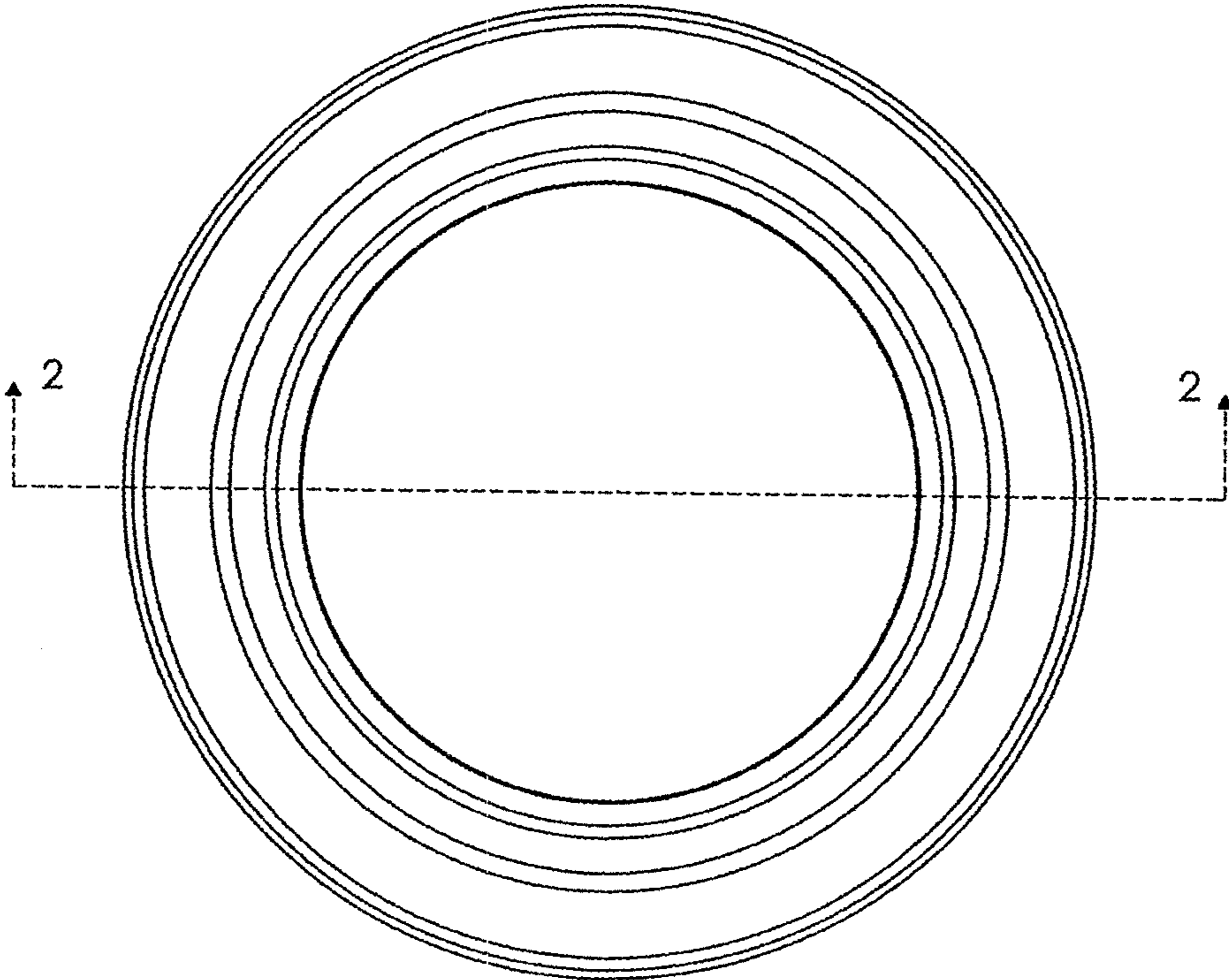


Figure 3

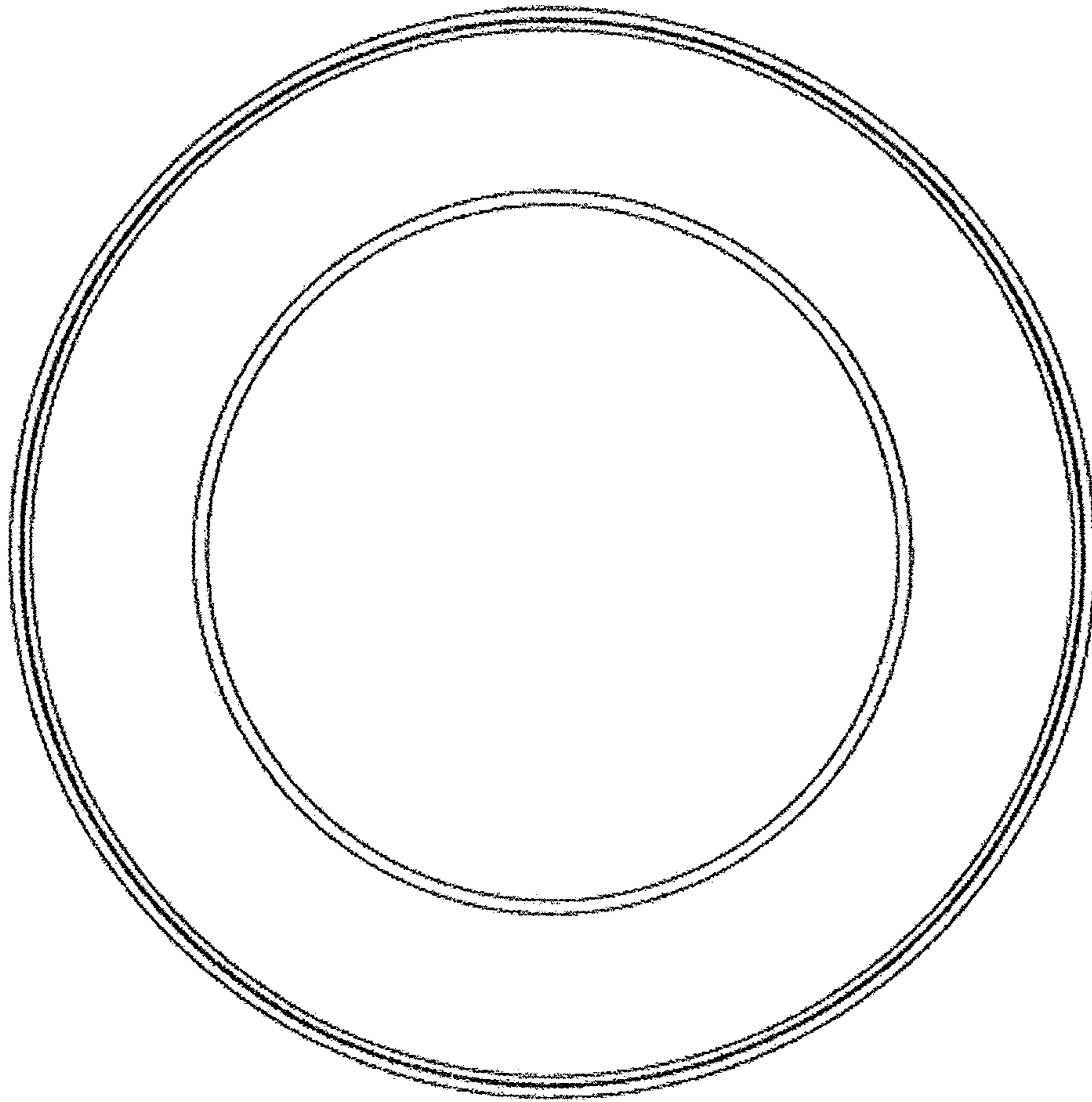


Figure 4

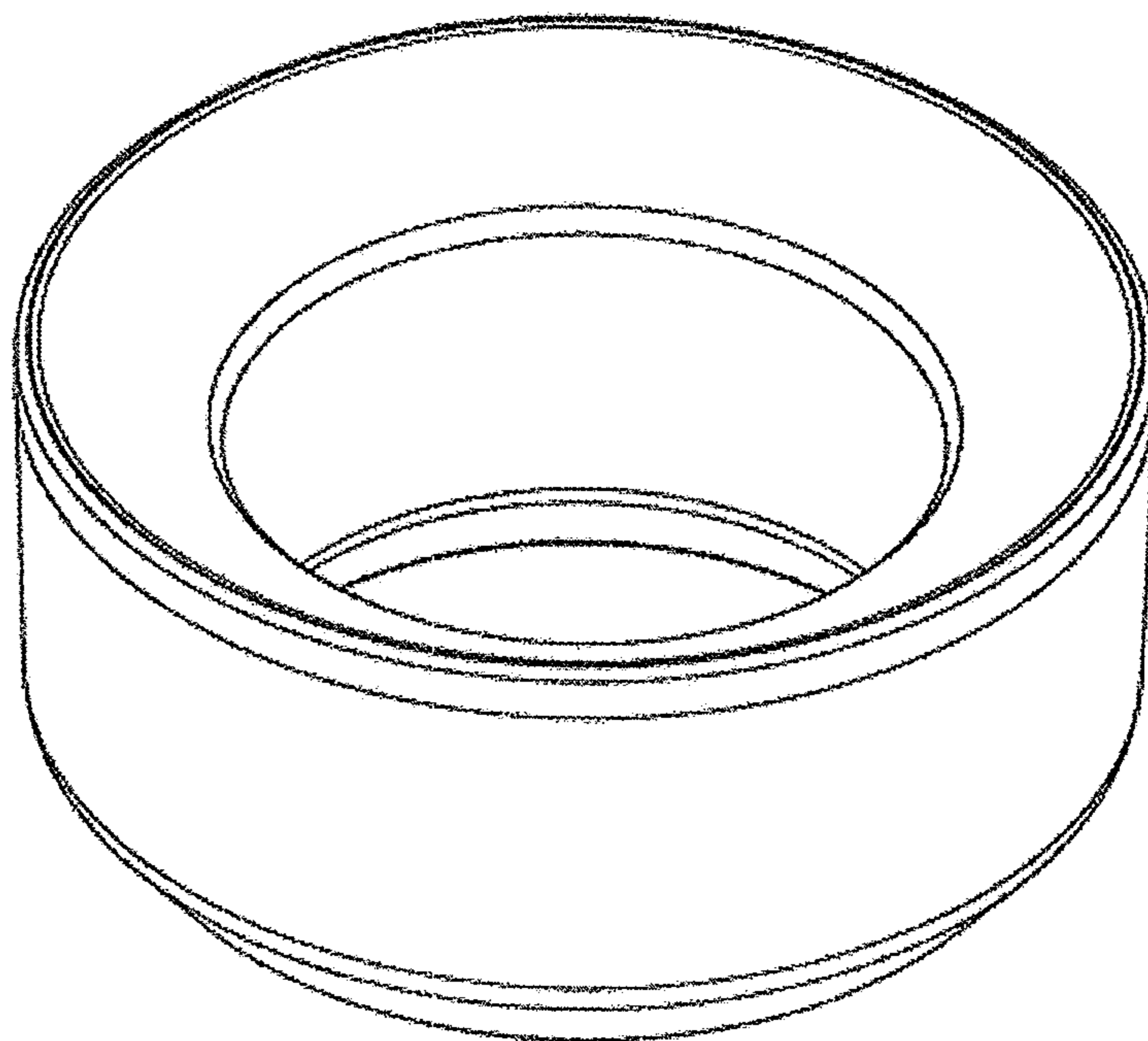


Figure 5

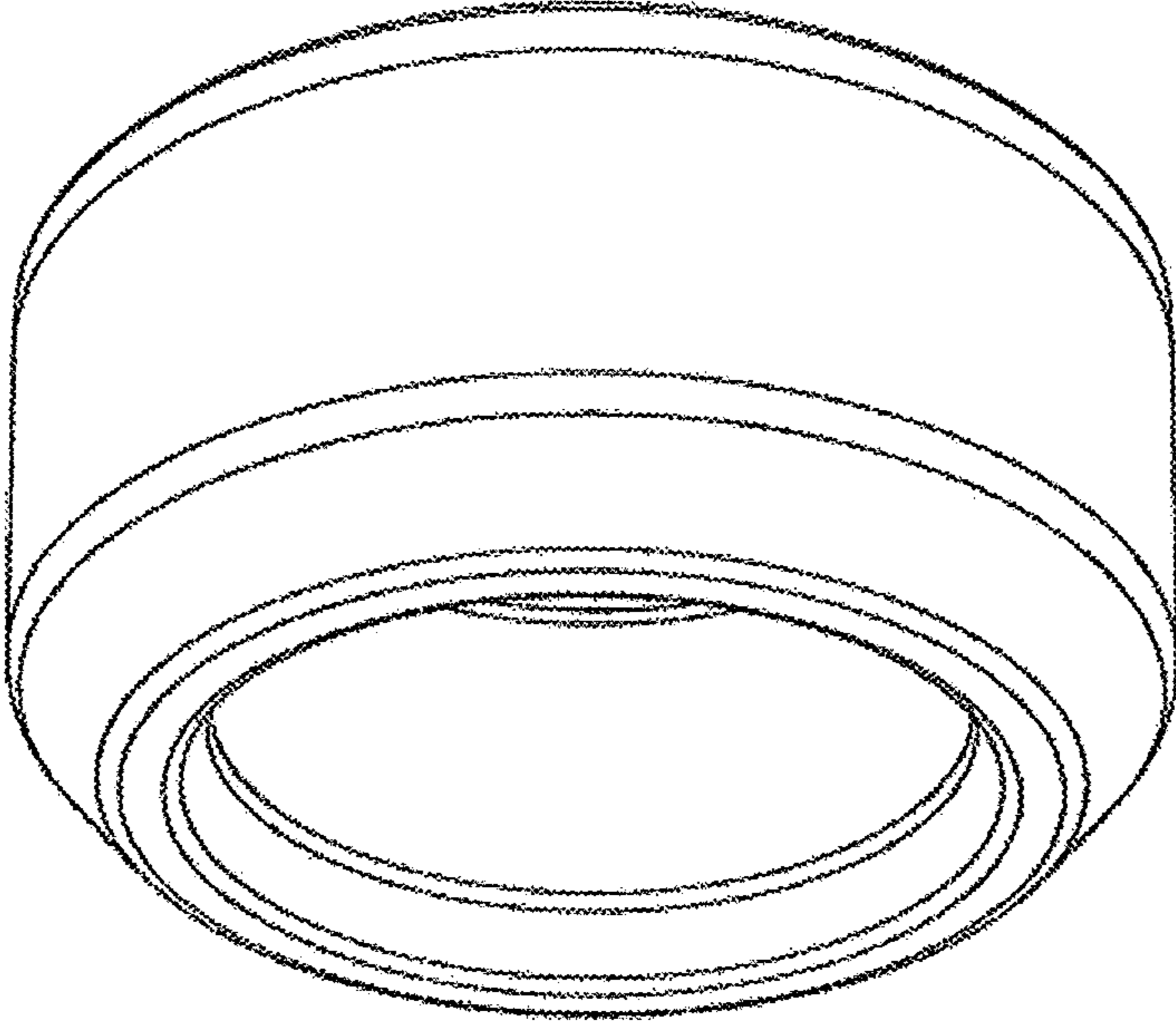


Figure 6