



US00D880660S

(12) **United States Design Patent**  
**Chen**

(10) **Patent No.:** **US D880,660 S**  
(45) **Date of Patent:** **\*\* Apr. 7, 2020**

(54) **FILTER**

(71) Applicant: **Ziyong Chen**, Shenzhen (CN)

(72) Inventor: **Ziyong Chen**, Shenzhen (CN)

(\*\*) Term: **15 Years**

(21) Appl. No.: **29/629,549**

(22) Filed: **Dec. 13, 2017**

(51) **LOC (12) Cl.** ..... **23-01**

(52) **U.S. Cl.**  
USPC ..... **D23/261**

(58) **Field of Classification Search**

USPC ..... D23/208–210, 259–261; 4/286–287,  
4/292–293, 295, 680–682, 689, 693;  
210/155–159, 174

See application file for complete search history.

(56) **References Cited**

**U.S. PATENT DOCUMENTS**

2,337,331	A *	12/1943	Kirschner	.....	E03C 1/262 4/287
D246,109	S *	10/1977	Rosaen	.....	D23/209
D609,775	S *	2/2010	Zukor	.....	D23/209
D760,884	S *	7/2016	Green	.....	D23/365
D783,134	S *	4/2017	Karnegie	.....	D23/261
D785,767	S *	5/2017	Karnegie	.....	E03C 1/264 D23/261
D814,611	S *	4/2018	Karnegie	.....	D23/261
D827,787	S *	9/2018	Karnegie	.....	D23/261
D827,788	S *	9/2018	Karnegie	.....	D23/261
D828,523	S *	9/2018	Karnegie	.....	D23/261
D832,408	S *	10/2018	St-Antoine	.....	D23/261
D841,133	S *	2/2019	Karnegie	.....	D23/261
2016/0251839	A1 *	9/2016	Ali	.....	E03C 1/262 4/287
2017/0073949	A1 *	3/2017	Karnegie	.....	E03C 1/264

**FOREIGN PATENT DOCUMENTS**

CN 305126214 \* 4/2019

**OTHER PUBLICATIONS**

Uxoz Drain Hair Catcher; Amazon, Date First Available Aug. 8, 2018, [https://www.amazon.com/Uxoz-Catcher-Stainless-Protector-Anti-Rust/dp/B07GVJNJR5/ref=sr\\_1\\_45?keywords=Drain+hair+catcher&qid=1560202452&s=gateway&sr=8-45](https://www.amazon.com/Uxoz-Catcher-Stainless-Protector-Anti-Rust/dp/B07GVJNJR5/ref=sr_1_45?keywords=Drain+hair+catcher&qid=1560202452&s=gateway&sr=8-45) (Year: 2018).\*

Knidio Drain Hair Catcher, Amazon, Date First Available Feb. 20, 2019, [https://www.amazon.com/dp/B07NYWXRHC/ref=sspa\\_dk\\_detail\\_2?psc=1](https://www.amazon.com/dp/B07NYWXRHC/ref=sspa_dk_detail_2?psc=1) (Year: 2019).\*

Drain Hair Catcher by Freesooth, Amazon, Date First Available Oct. 18, 2018, [https://www.amazon.com/dp/B07JJ3Y78B/ref=sspa\\_dk\\_detail\\_4?psc=1](https://www.amazon.com/dp/B07JJ3Y78B/ref=sspa_dk_detail_4?psc=1) (Year: 2018).\*

(Continued)

*Primary Examiner* — Amy C Wierenga

(74) *Attorney, Agent, or Firm* — Wayne & Ken, LLC; Tony Hom

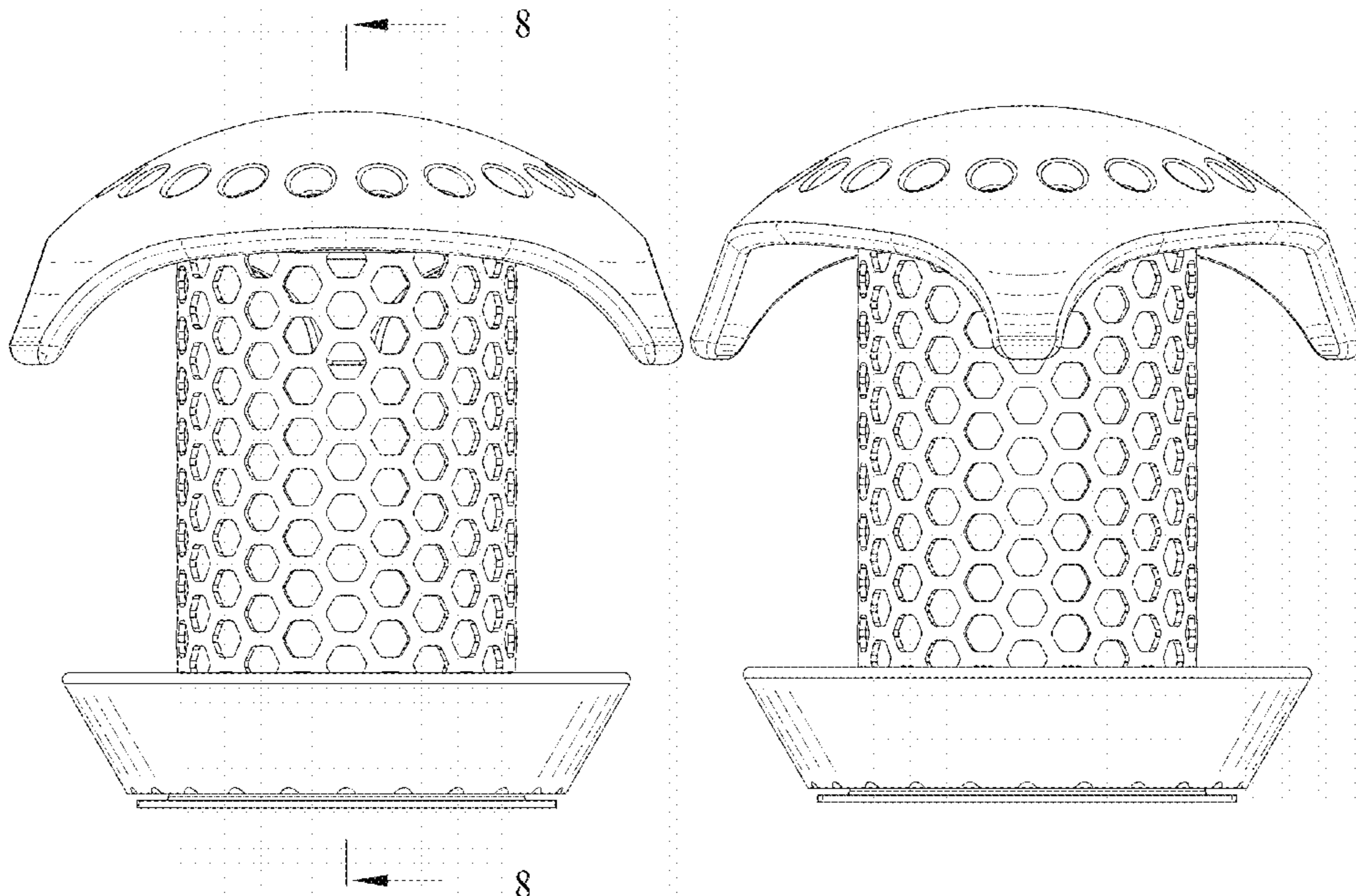
(57) **CLAIM**

A new, original, ornamental design for a filter, as shown and described.

**DESCRIPTION**

FIG. 1 is a front view of a filter showing my new design; FIG. 2 is a back view thereof; FIG. 3 is a right view thereof; FIG. 4 is a left view thereof; FIG. 5 is a top view thereof; FIG. 6 is a bottom view thereof; FIG. 7 is a perspective view thereof; and, FIG. 8 is a sectional view of 8-8 in FIG. 1. The evenly spaced broken lines depict portions of the filter that form no part of the claim.

**1 Claim, 8 Drawing Sheets**



(56)

**References Cited**

OTHER PUBLICATIONS

UNEDE Drain Hair Catcher, Amazon, Aug. 23, 2018, [https://www.amazon.com/dp/B07GSN623P/ref=sspa\\_dk\\_detail\\_2?psc=1](https://www.amazon.com/dp/B07GSN623P/ref=sspa_dk_detail_2?psc=1) (Year: 2018).\*

Uxoz Drain Hair Catcher; Amazon Earliest Review Aug. 1, 2018; [https://www.amazon.com/dp/B07FFXWG6F/ref=sspa\\_dk\\_detail\\_5?psc=1&pd\\_rd\\_i=B07FFXWG6F&pd\\_rd\\_w=6wdQp&pf\\_rd\\_p=c83c55b0-5d97-454a-a592-a891098a9709&pd\\_rd\\_wg=NG1LX&pf\\_rd\\_r=XDSKM39VTAZK6E3PAC87&pd\\_rd\\_r=be379bdf-c49c-40d0-85e3-1c0eaca5cbaa&s](https://www.amazon.com/dp/B07FFXWG6F/ref=sspa_dk_detail_5?psc=1&pd_rd_i=B07FFXWG6F&pd_rd_w=6wdQp&pf_rd_p=c83c55b0-5d97-454a-a592-a891098a9709&pd_rd_wg=NG1LX&pf_rd_r=XDSKM39VTAZK6E3PAC87&pd_rd_r=be379bdf-c49c-40d0-85e3-1c0eaca5cbaa&s) (Year: 2018).\*

Drain Hair Catcher; Speedeals Website; Website Copyright 2019; <https://speedeals.net/products/drain-hair-catcher-drain-protector-strainer-tub-bathroom-shower-sink-drain-bathtub-cover-for-kitchen-pet-hair-match-main-sizes> (Year: 2019).\*

\* cited by examiner

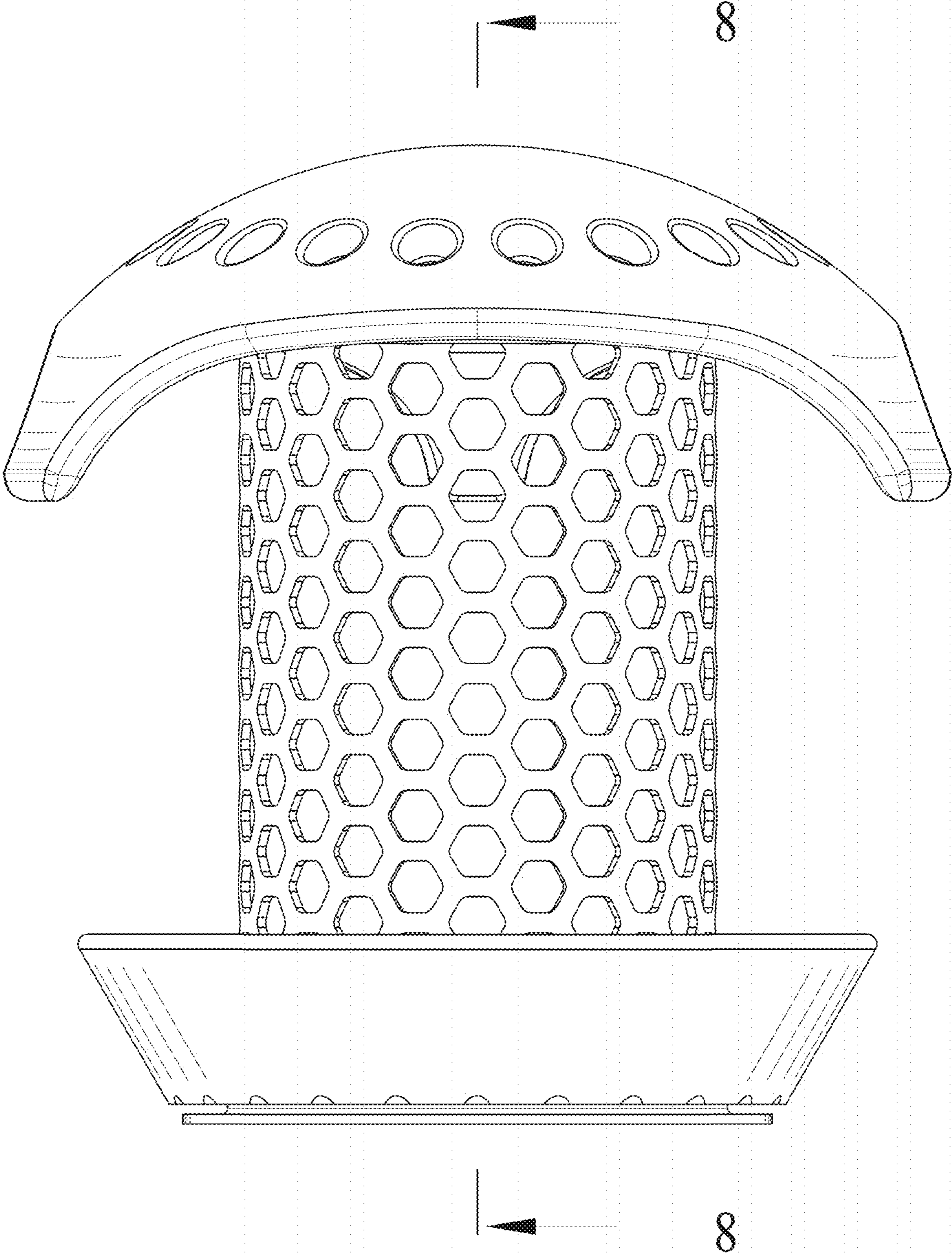


FIG. 1



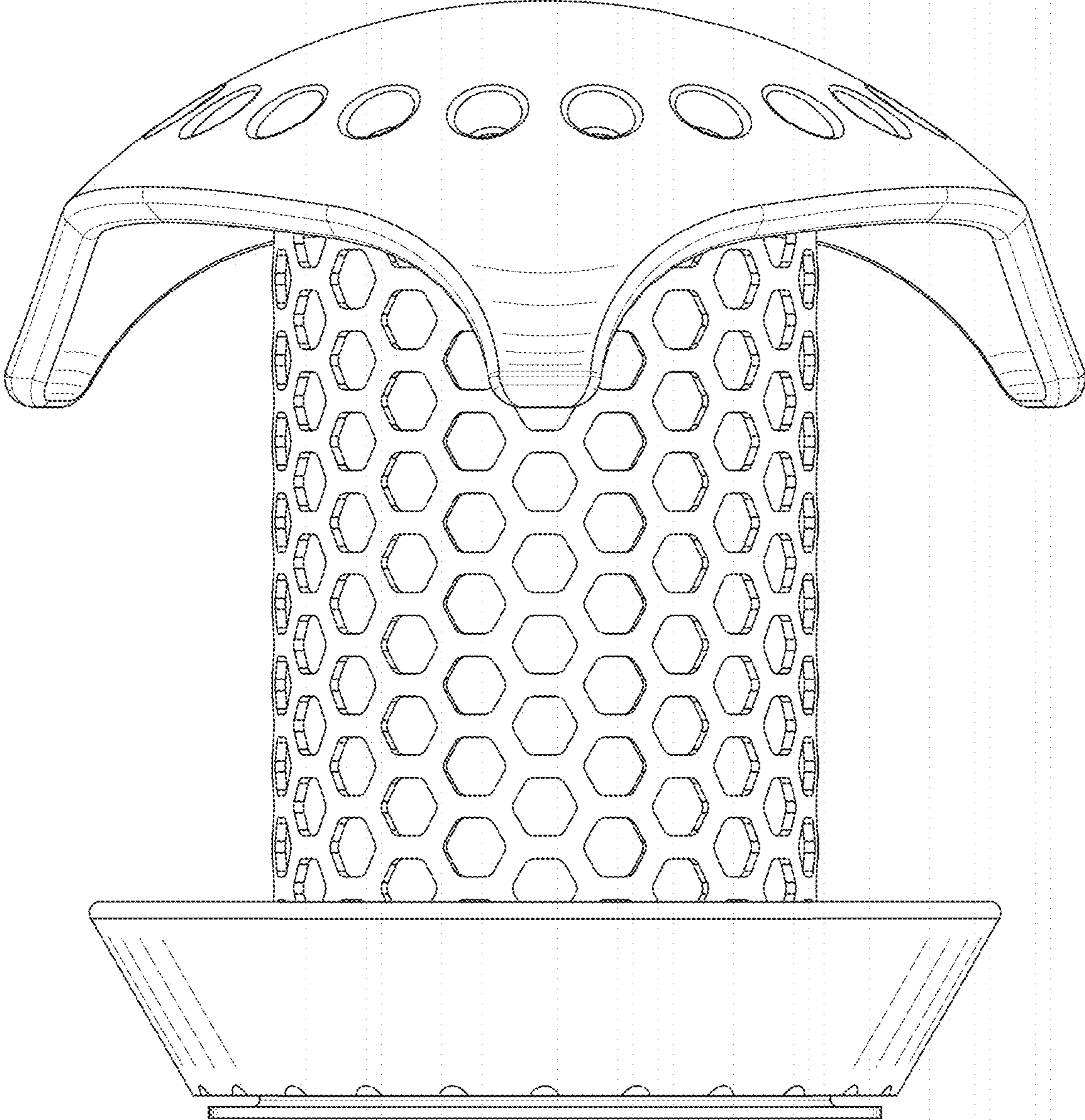


FIG. 2

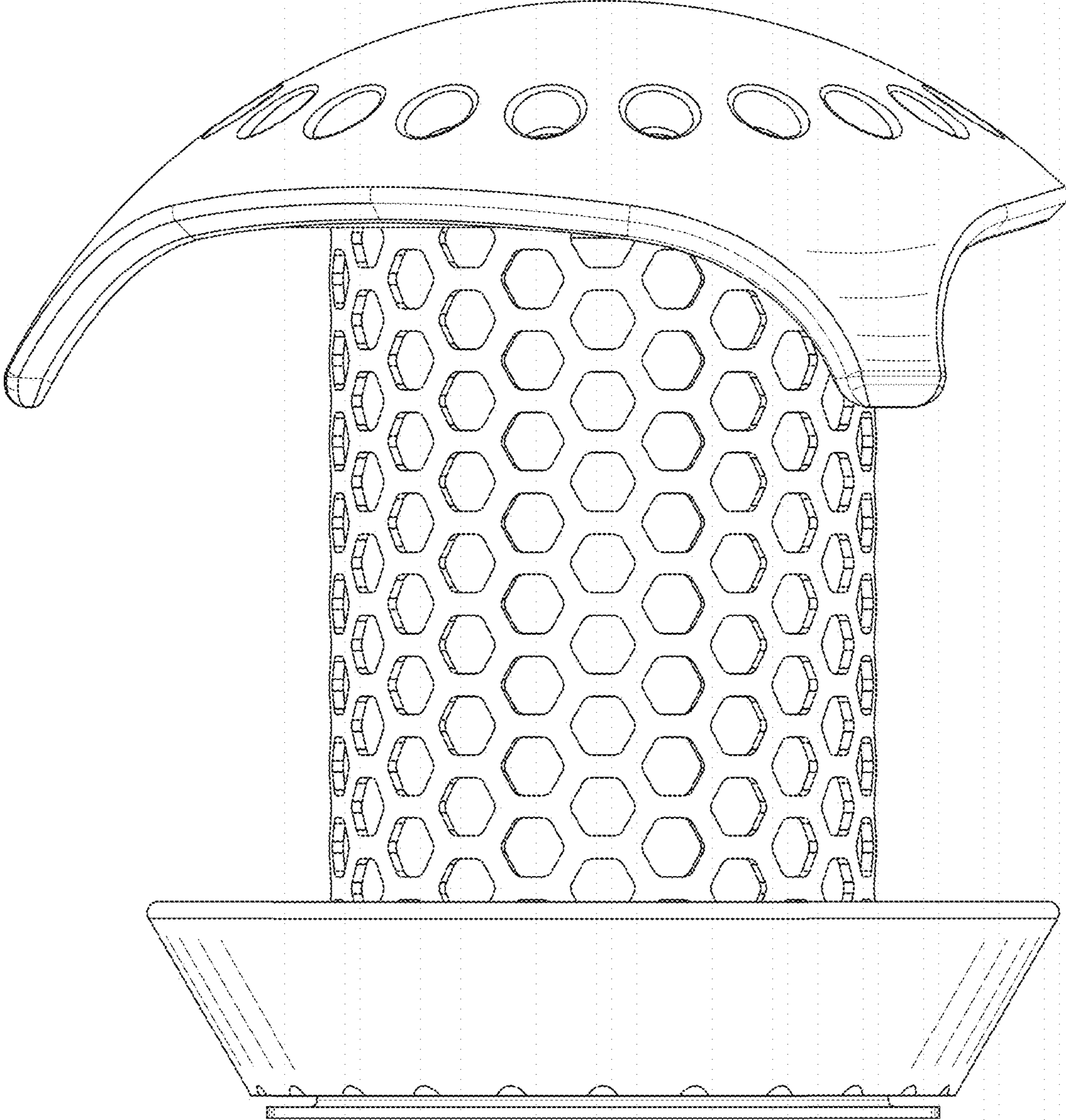


FIG. 3

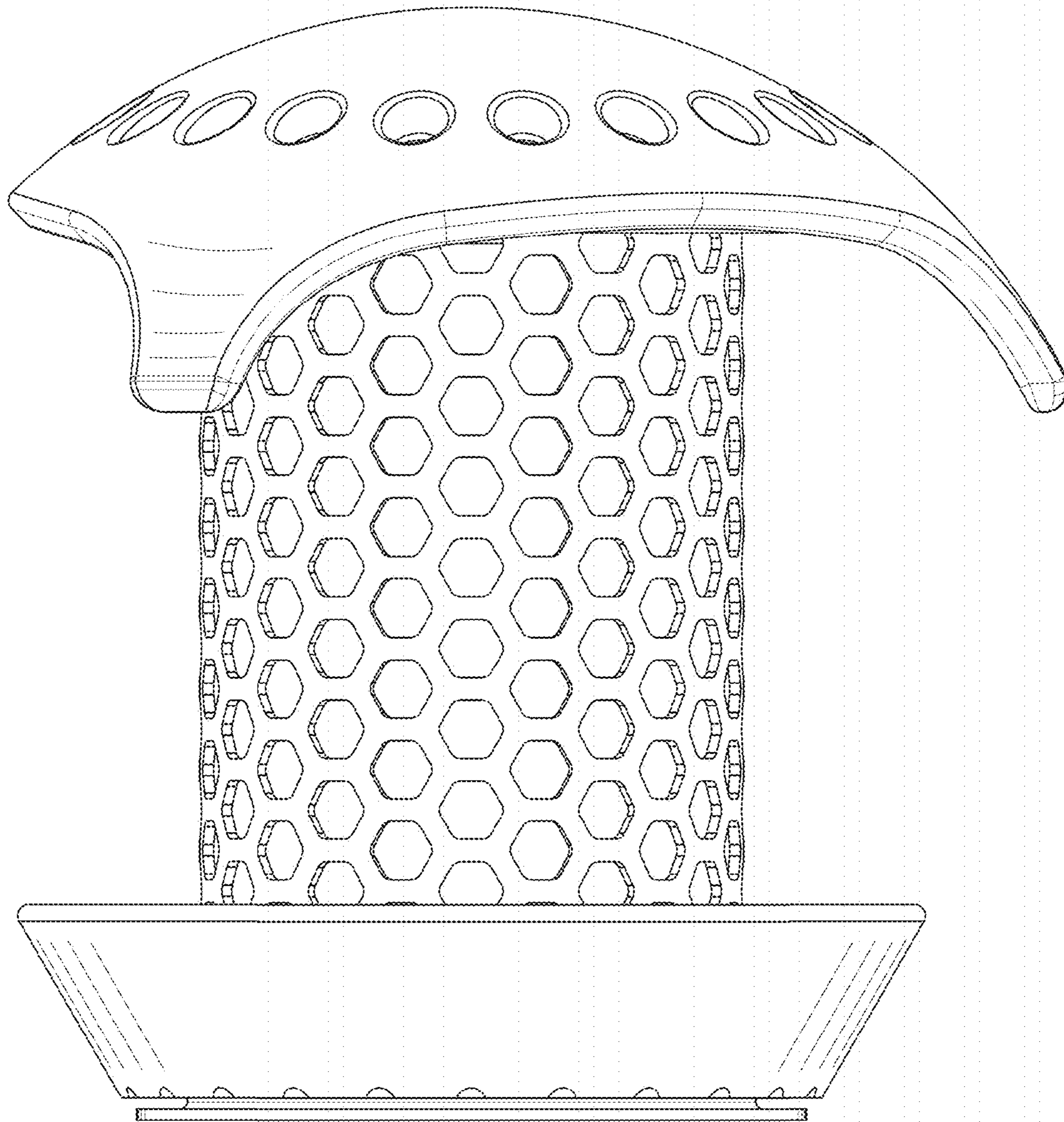


FIG. 4



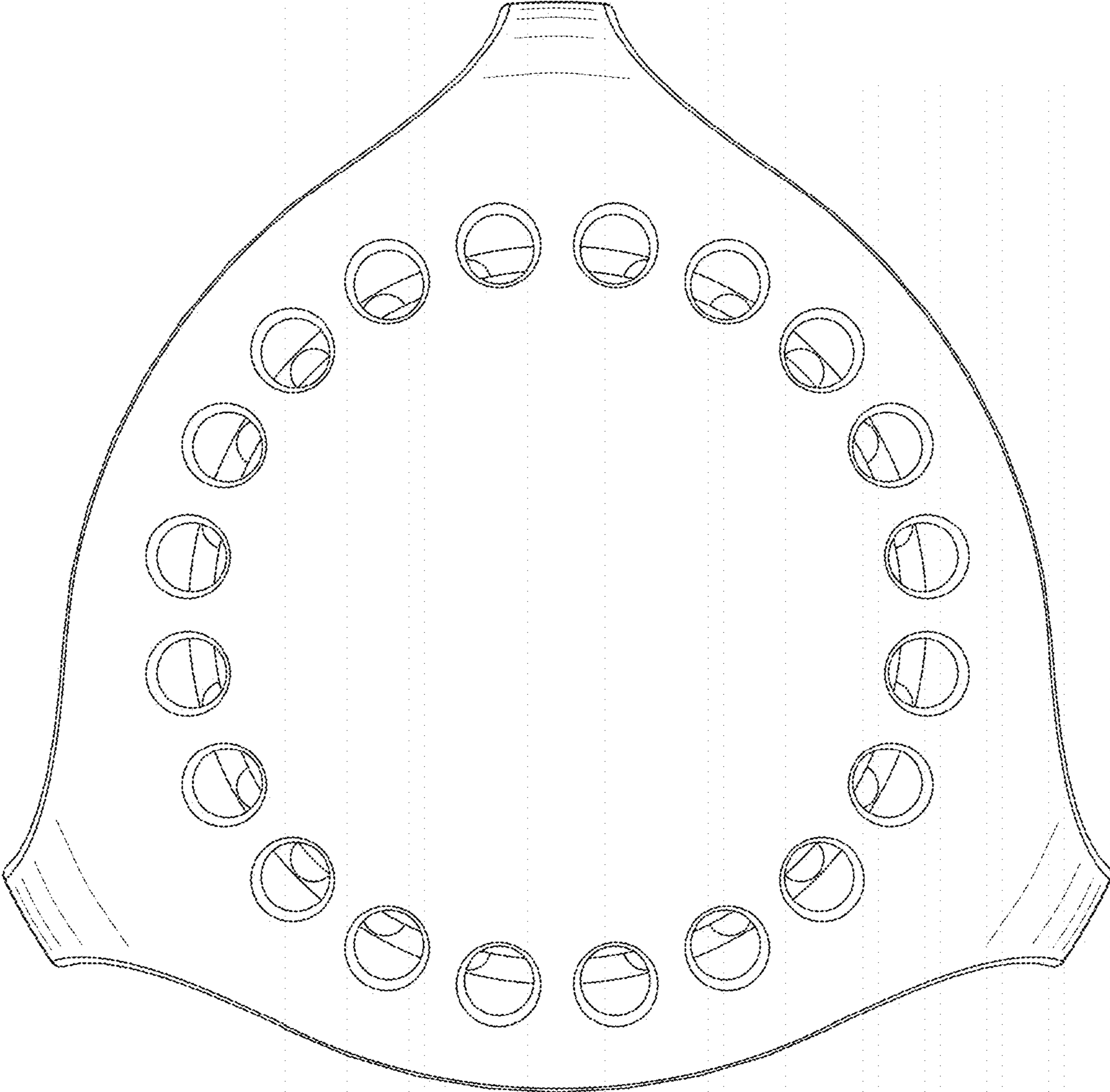


FIG. 5

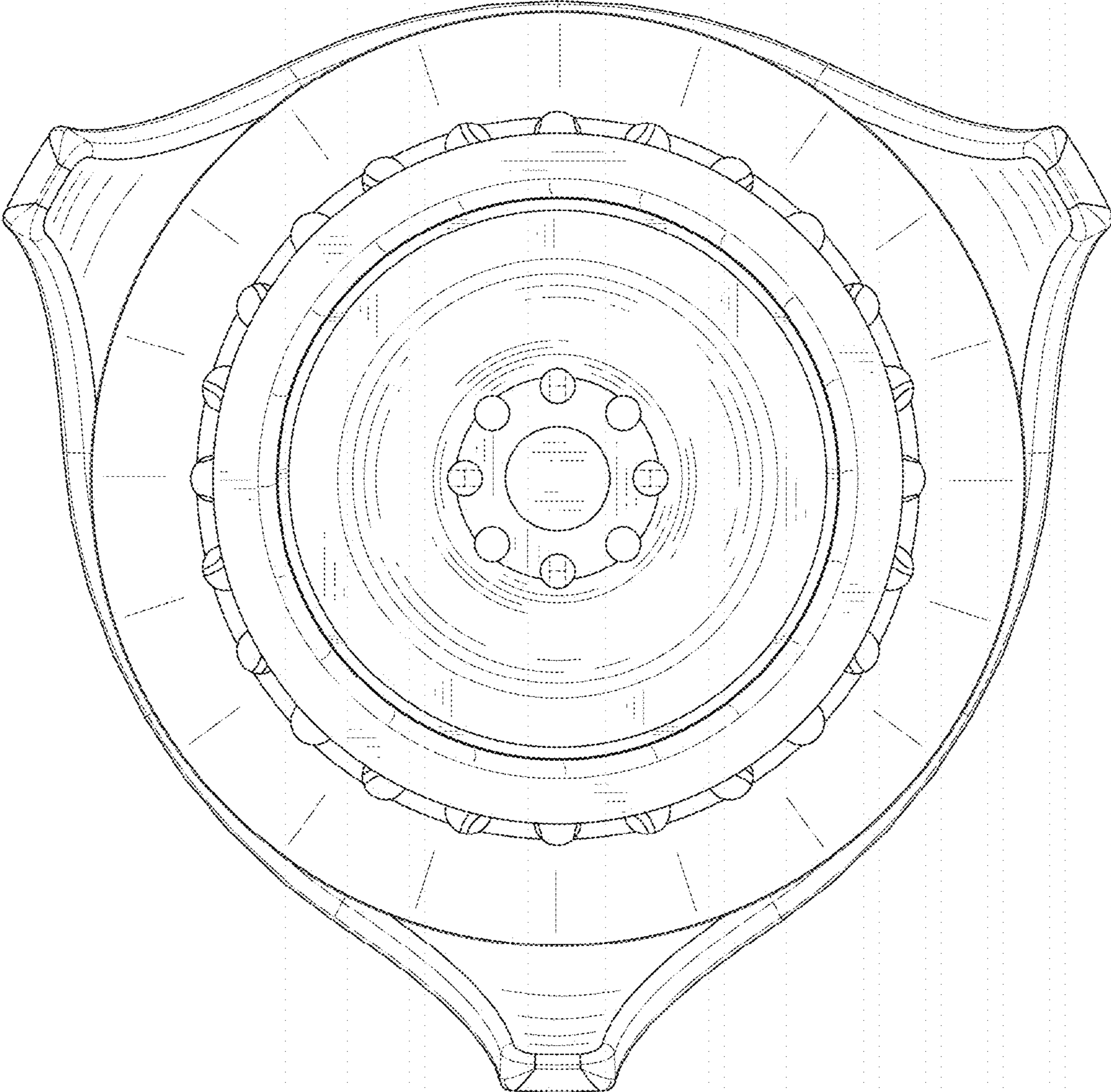


FIG. 6



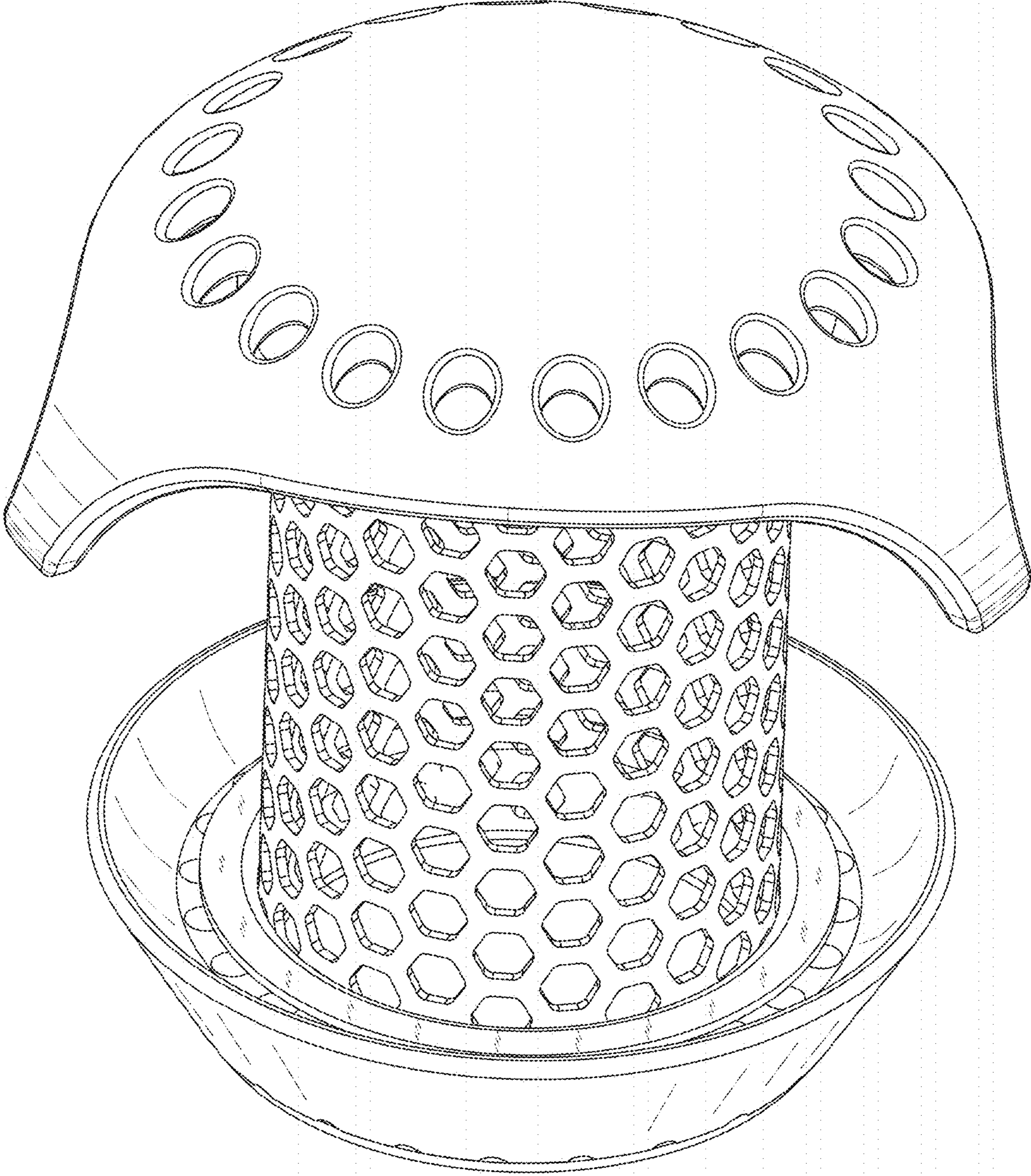


FIG. 7

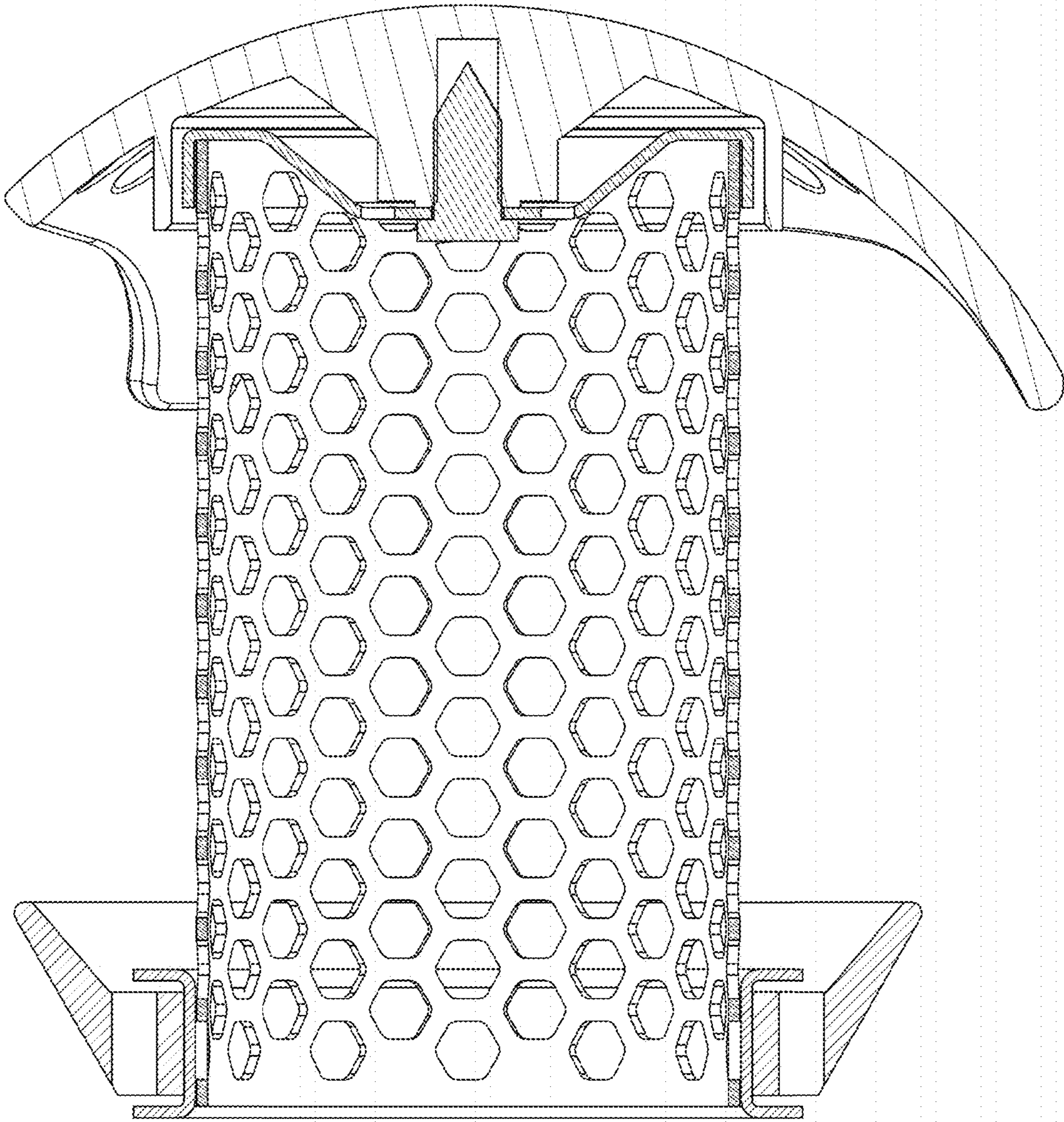


FIG. 8