



US00D880659S

(12) **United States Design Patent** (10) **Patent No.:** **US D880,659 S**
Kumar et al. (45) **Date of Patent:** **** Apr. 7, 2020**

(54) **PLUG FOR HOT MELT SEAL OVERMOLDING**

(71) Applicant: **Illinois Tool Works Inc.**, Glenview, IL (US)

(72) Inventors: **Ganesh Kumar**, Pune (IN); **Mahantesh S. Gokavi**, Pune (IN)

(73) Assignee: **Illinois Tool Works Inc.**, Glenview, IL (US)

(**) Term: **15 Years**

(21) Appl. No.: **29/641,288**

(22) Filed: **Mar. 21, 2018**

(30) **Foreign Application Priority Data**

Sep. 22, 2017 (IN) 297783

(51) **LOC (12) Cl.** **23-01**

(52) **U.S. Cl.**
USPC **D23/260**

(58) **Field of Classification Search**
USPC D23/207–209, 259–261, 269; 4/136, 4/222.1, 251.1, 251.6, 286–289, 290–295, 4/300.1, 309, 520, 255.07, 678, 680–685, 4/688–693; 210/470, 477; D12/197–198; D9/454; 277/357–360; 296/1.06
CPC ... E03C 2001/2317; A47K 1/14; B01D 39/16; B62D 25/24
See application file for complete search history.

(56) **References Cited**
U.S. PATENT DOCUMENTS
3,995,333 A * 12/1976 Stephens A47K 1/14 4/286

4,143,432 A * 3/1979 Deken A47K 1/14 220/301
D412,970 S * 8/1999 Whyte D23/260
8,919,606 B2 * 12/2014 Sato B62D 25/24 215/363
D726,286 S * 4/2015 Zeyfang D23/260
9,290,210 B2 * 3/2016 Pares Isanta B62D 25/24
D754,304 S * 4/2016 Morris D23/260
D838,816 S * 1/2019 Gerger D23/260
2011/0023221 A1 * 2/2011 Gibson A47K 1/14 4/293
2012/0097337 A1 * 4/2012 Dominguez B62D 25/24 156/391
2014/0125081 A1 * 5/2014 Pares Isanta B62D 25/24 296/1.06
2015/0135598 A1 * 5/2015 Jatzke B62D 25/24 49/463
2015/0197288 A1 * 7/2015 Shimada B62D 25/24 296/1.06
2016/0264186 A1 * 9/2016 Sato B62D 25/24

* cited by examiner

Primary Examiner — Amy C Wierenga
 (74) *Attorney, Agent, or Firm* — Quarles & Brady LLP

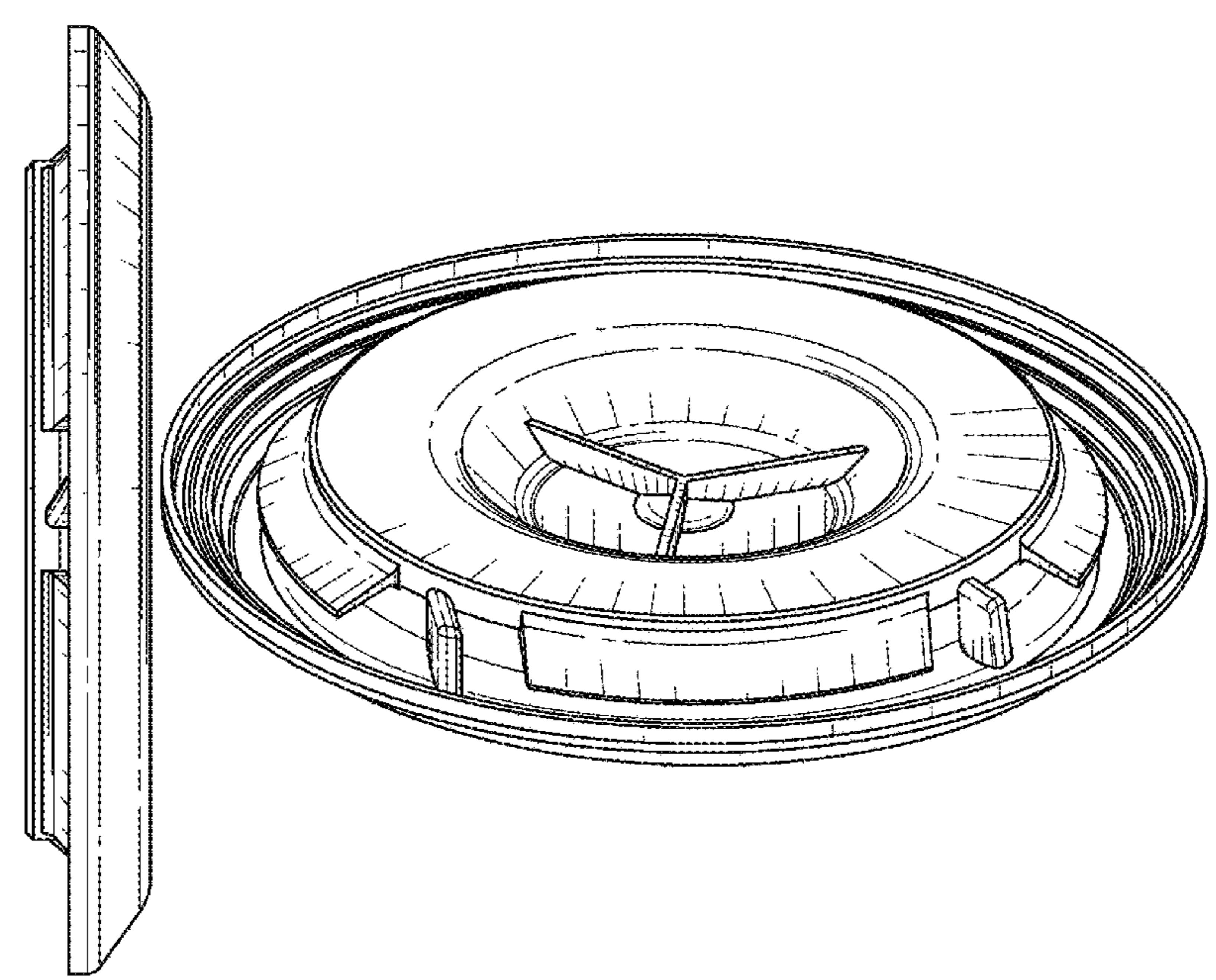
(57) **CLAIM**

The ornamental design for a plug for hot melt seal overmolding, as shown and described.

DESCRIPTION

FIG. 1 is a bottom perspective view of the plug; FIG. 2 is a bottom view of the plug; FIG. 3 is a side view of the plug; and, FIG. 4 is a side perspective view of the plug.

1 Claim, 3 Drawing Sheets



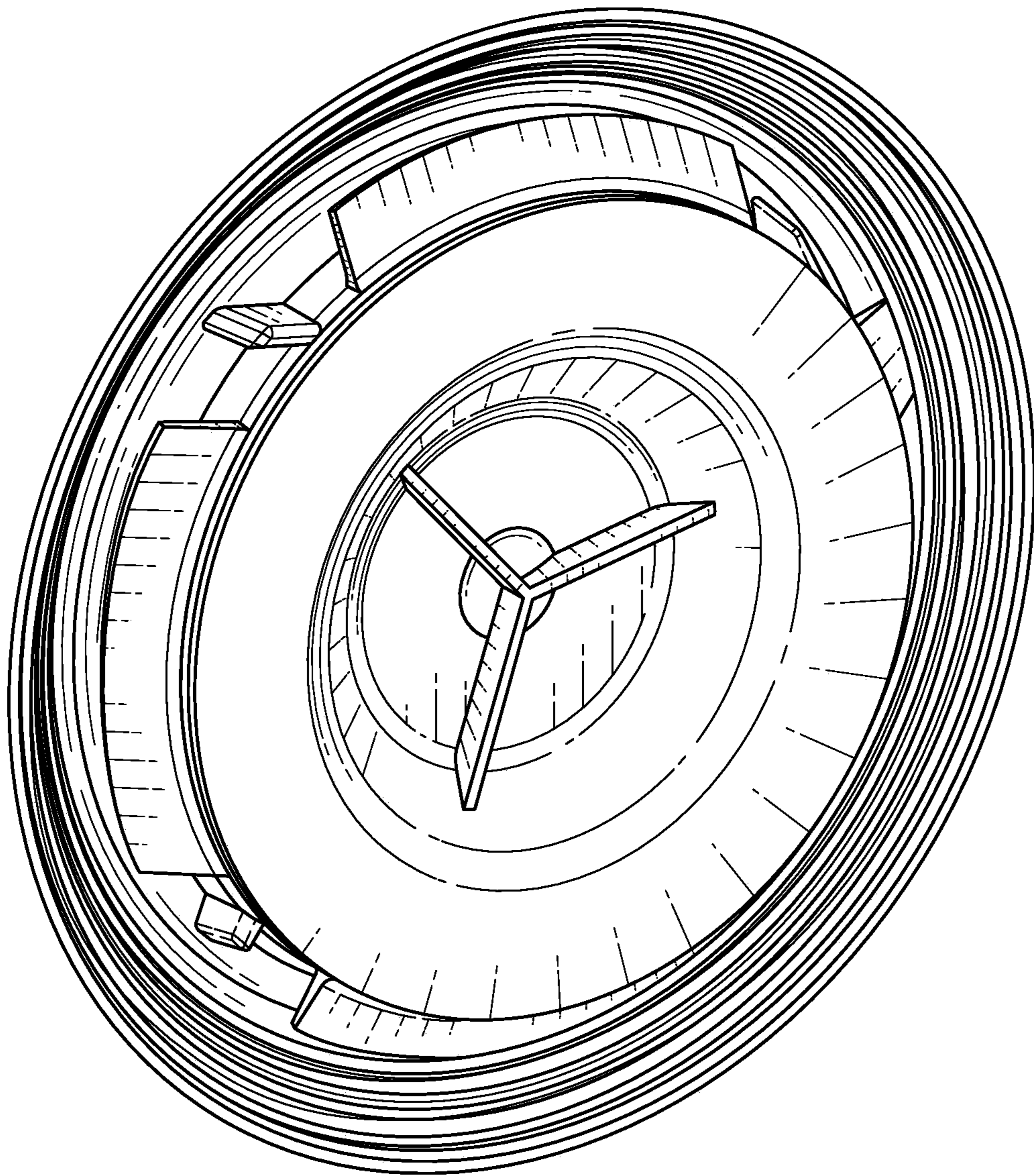


FIG. 1

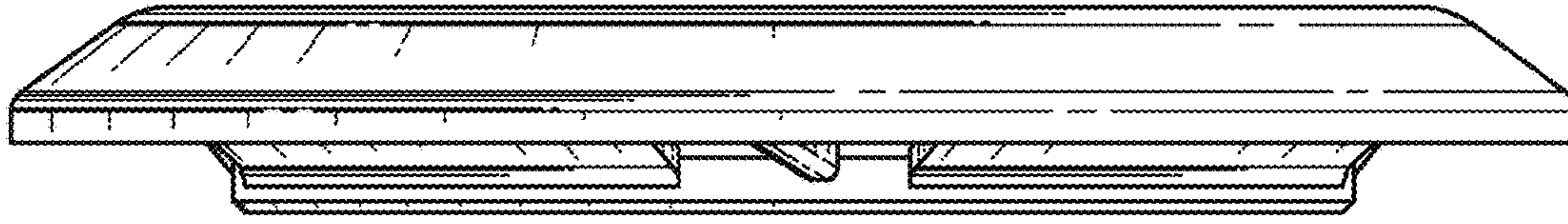


FIG. 3

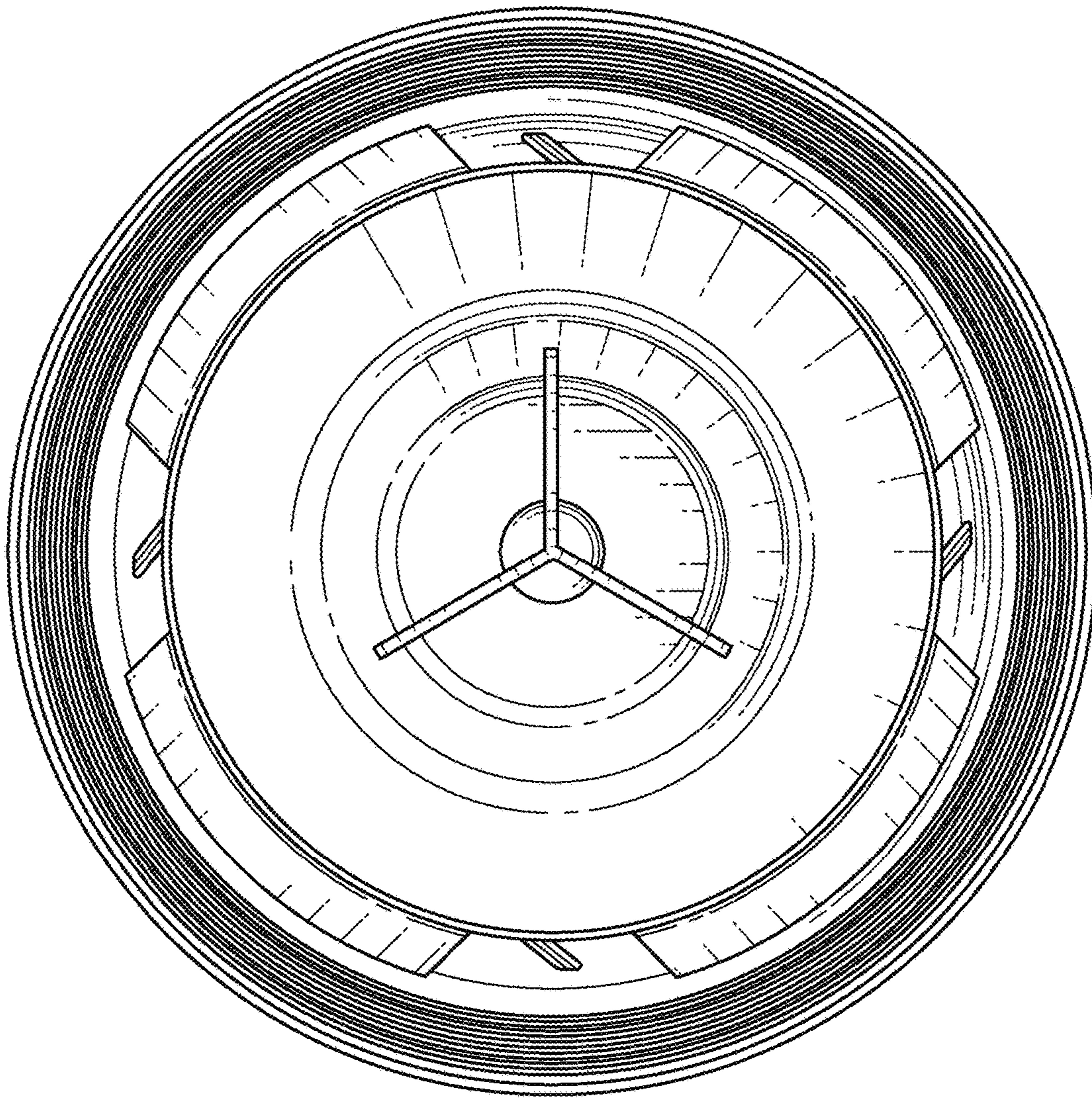


FIG. 2

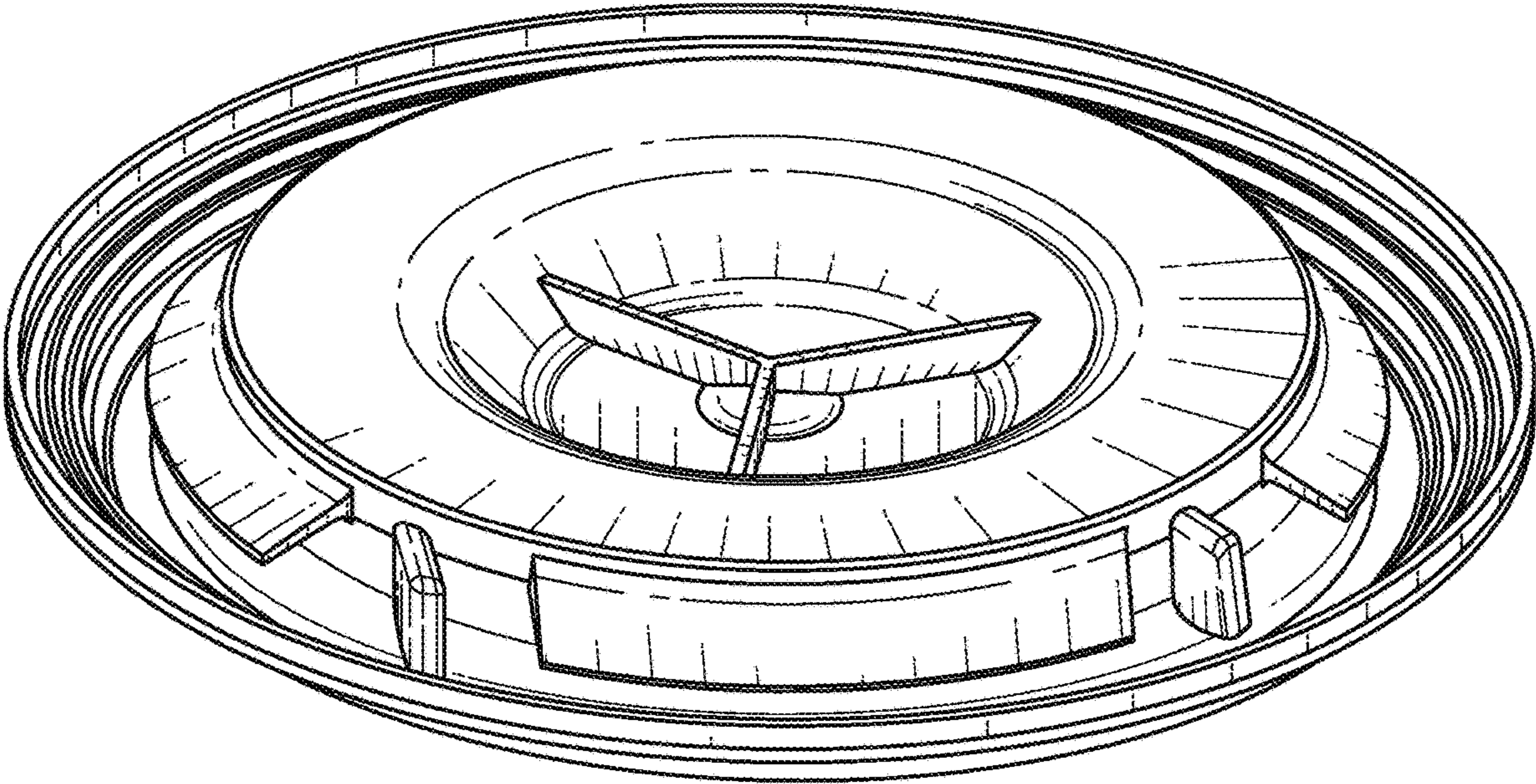


FIG. 4