



US00D880658S

(12) **United States Design Patent**  
**Hicks et al.**

(10) **Patent No.:** **US D880,658 S**

(45) **Date of Patent:** **\*\* Apr. 7, 2020**

- (54) **VALVE HANDLE**
- (71) Applicants: **Michael Hicks**, Edmond, OK (US);  
**Rhett Pigg**, Edmond, OK (US)
- (72) Inventors: **Michael Hicks**, Edmond, OK (US);  
**Rhett Pigg**, Edmond, OK (US)
- (73) Assignee: **Emkade Distribution, Inc.**, Edmonton,  
AB (CA)
- (\*\*) Term: **15 Years**
- (21) Appl. No.: **29/655,181**
- (22) Filed: **Jun. 29, 2018**
- (51) **LOC (12) Cl.** ..... **23-01**
- (52) **U.S. Cl.**  
USPC ..... **D23/249**
- (58) **Field of Classification Search**  
USPC ..... D23/233-250, 252; 137/315.15, 15.18,  
137/625.46, 239, 385, 15.22; D8/28;  
251/118, 109, 288, 285, 107  
CPC ..... F16K 31/602; F16K 31/60; F16K 35/10;  
F16K 31/605; F16K 1/2007; F16K  
35/025  
See application file for complete search history.

(56) **References Cited**

**U.S. PATENT DOCUMENTS**

D115,301 S *	6/1939	Spexarth .....	D8/28
3,345,032 A	10/1967	Rawstron	
3,357,679 A	12/1967	Gulick	
3,408,038 A	10/1968	Scaramucci	
3,649,035 A	3/1972	Graham	
4,247,080 A	1/1981	Morrison	
4,552,335 A	11/1985	Alexander et al.	
5,062,452 A	11/1991	Johnson	
5,275,204 A	1/1994	Rogers et al.	
5,411,048 A *	5/1995	Massey .....	F16K 35/025 137/15.22
D412,966 S *	8/1999	Albea .....	D23/249

6,880,806 B2	4/2005	Haikawa et al.	
6,959,909 B2 *	11/2005	Bancroft .....	F16K 31/602 137/385
8,210,499 B2	7/2012	Madden et al.	
D678,472 S *	3/2013	Sisk .....	D23/233
8,651,452 B2 *	2/2014	Hemman .....	F16K 35/025 251/107
9,010,721 B2 *	4/2015	Hoots .....	F16K 1/2007 251/109
9,010,722 B2 *	4/2015	Hoots .....	F16K 1/2007 251/109
9,702,480 B2 *	7/2017	Hoots .....	F16K 1/2007
2005/0161624 A1 *	7/2005	Bancroft .....	F16K 31/602 251/109
2010/0200791 A1	8/2010	Yung et al.	
2012/0112110 A1	5/2012	Lewandowski et al.	

\* cited by examiner

*Primary Examiner* — Gino Colan

(74) *Attorney, Agent, or Firm* — Crowe & Dunlevy, P.C.

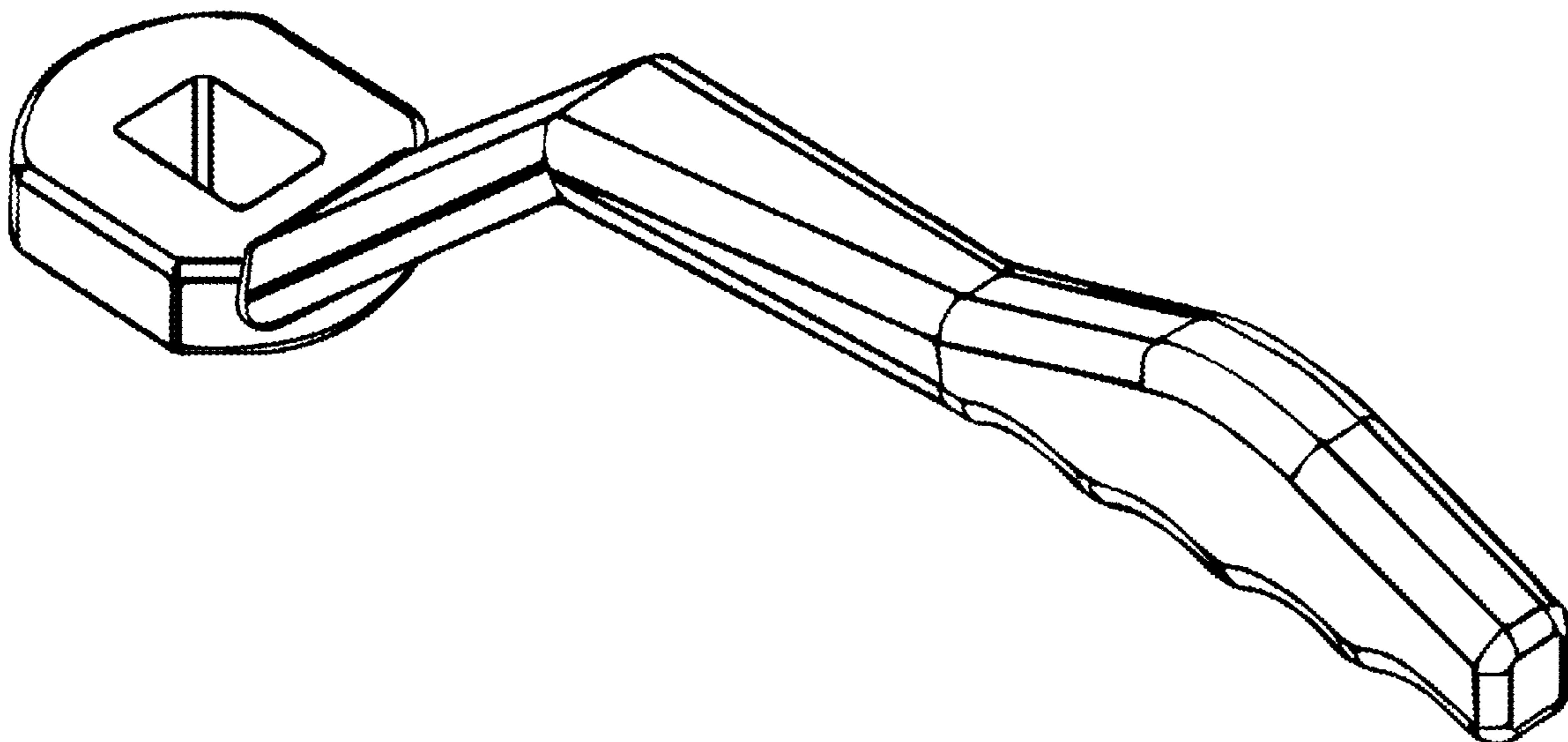
(57) **CLAIM**

The ornamental design for a valve handle, as shown and described.

**DESCRIPTION**

FIG. 1 is a perspective view of a valve handle showing our new design;  
 FIG. 2 is a right elevation view thereof;  
 FIG. 3 is a left elevation view thereof;  
 FIG. 4 is a top plan view thereof;  
 FIG. 5 is a bottom plan view thereof;  
 FIG. 6 is a rear elevation view thereof, shown in a larger scale;  
 FIG. 7 is a front elevation view thereof, shown in a larger scale; and,  
 FIG. 8 is a right elevation view thereof, in condition of use shown in a smaller scale.  
 The broken lines shown in the figures are for the purpose of illustrating environment which form no part of the claimed design.

**1 Claim, 6 Drawing Sheets**



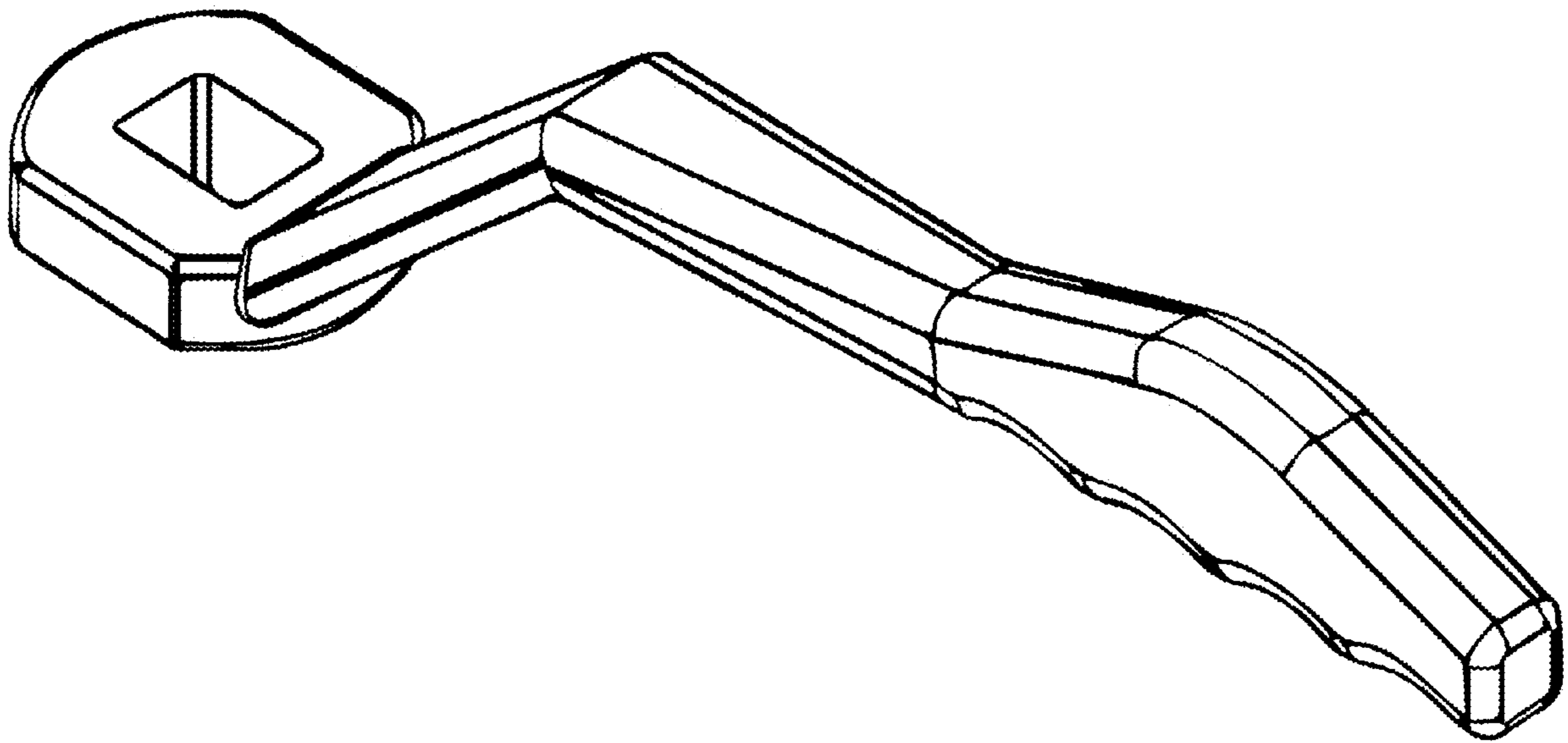


FIG. 1

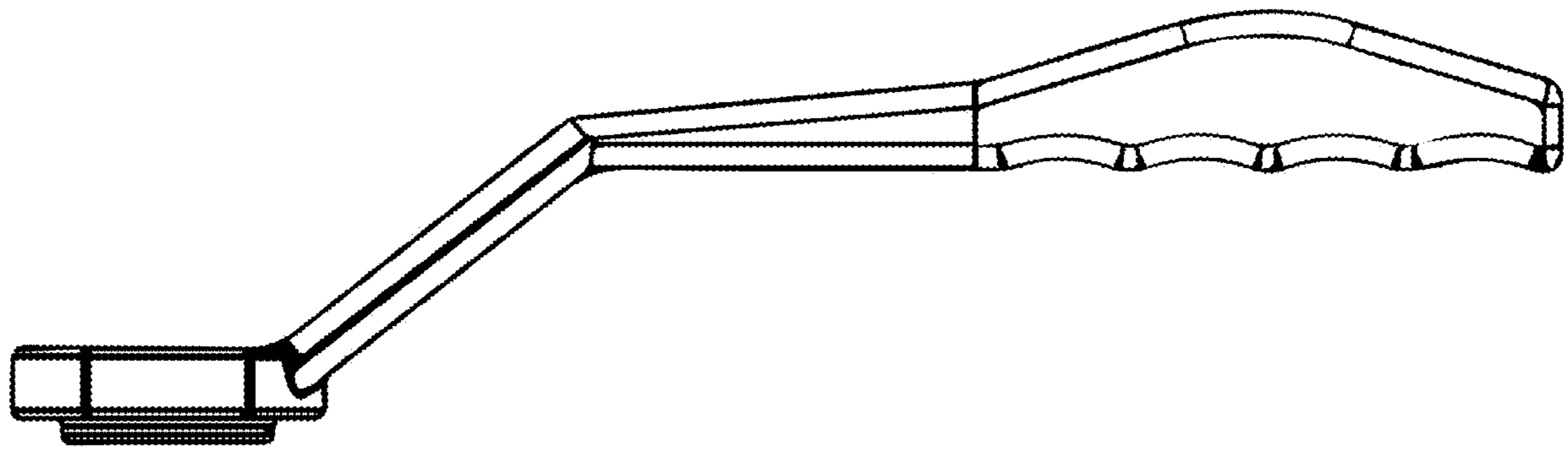


FIG. 2

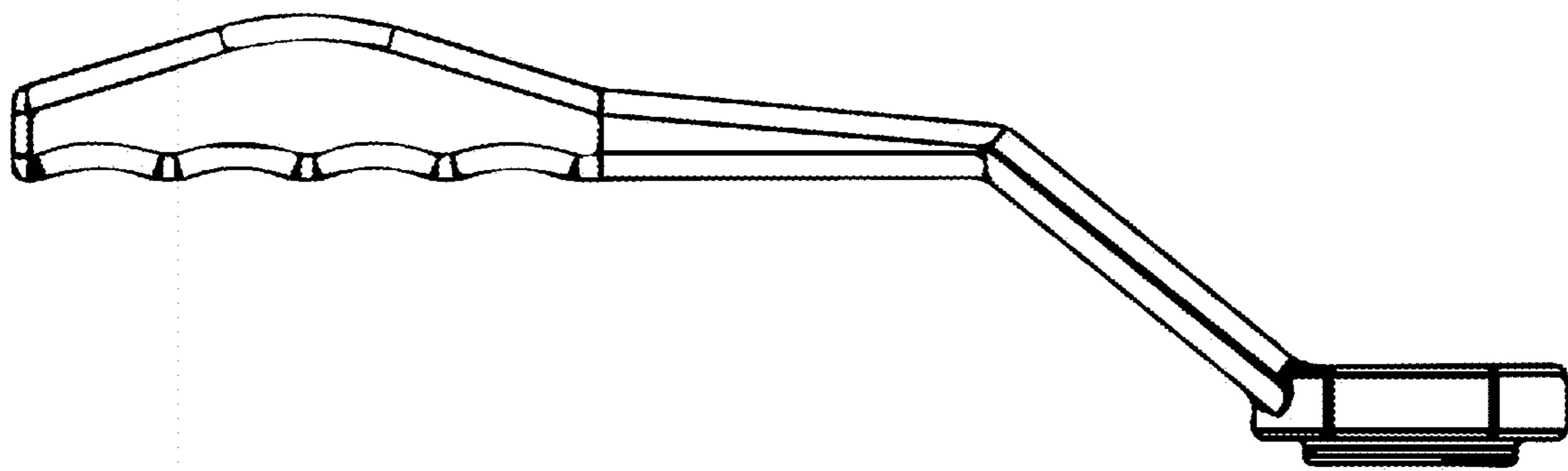


FIG. 3

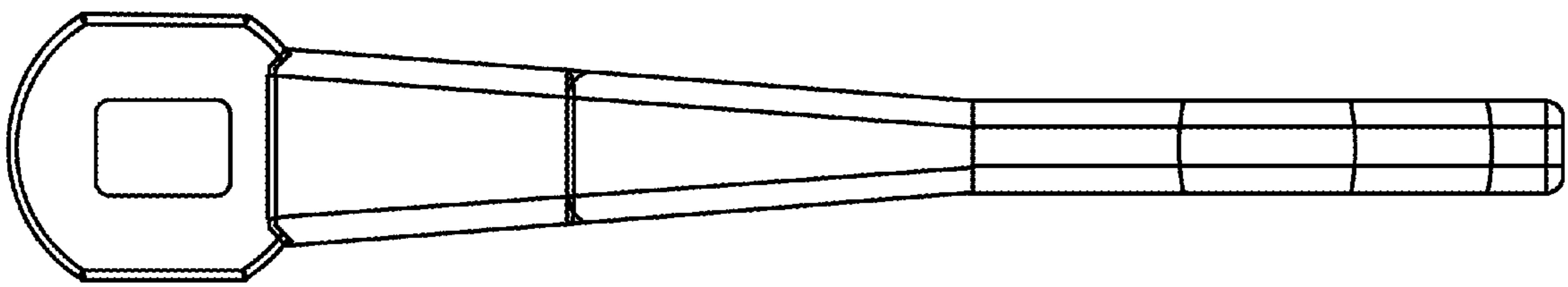


FIG. 4

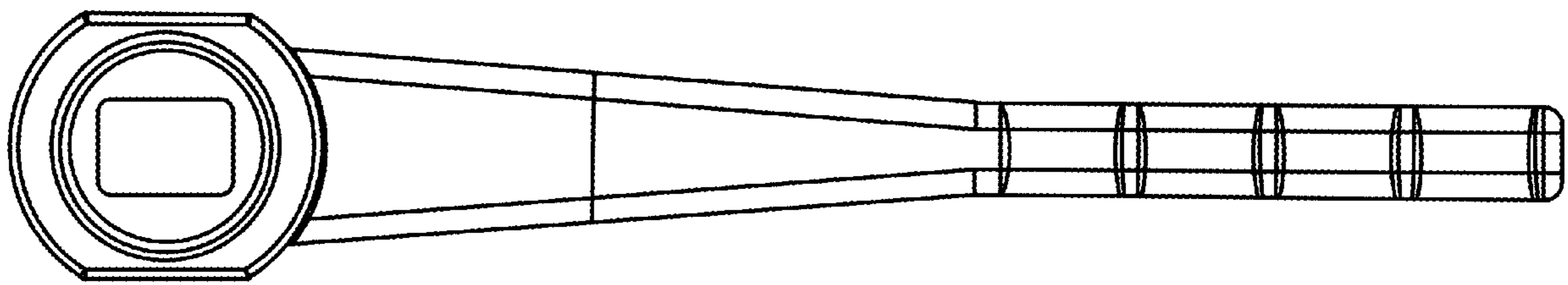


FIG. 5

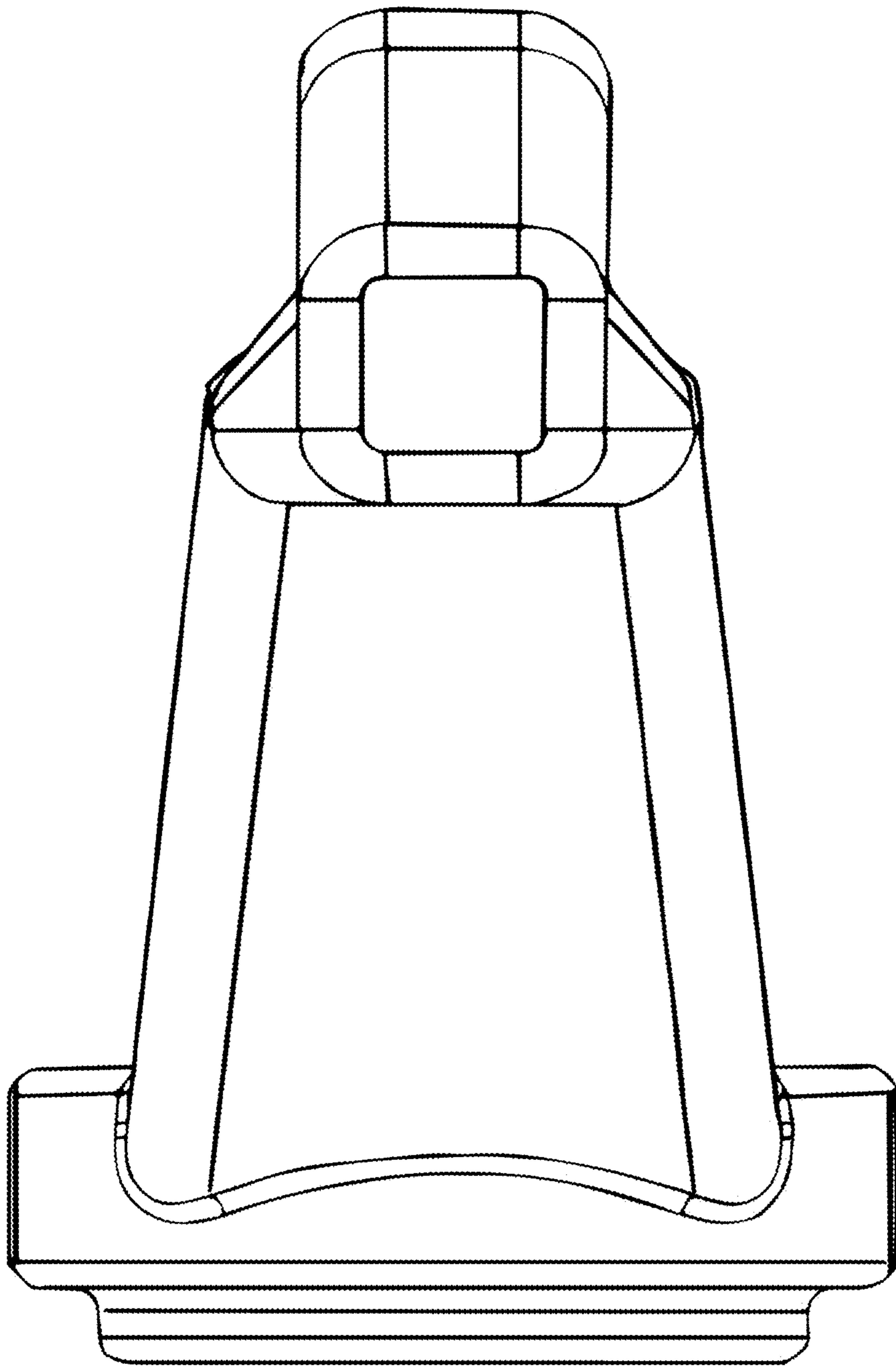


FIG. 6

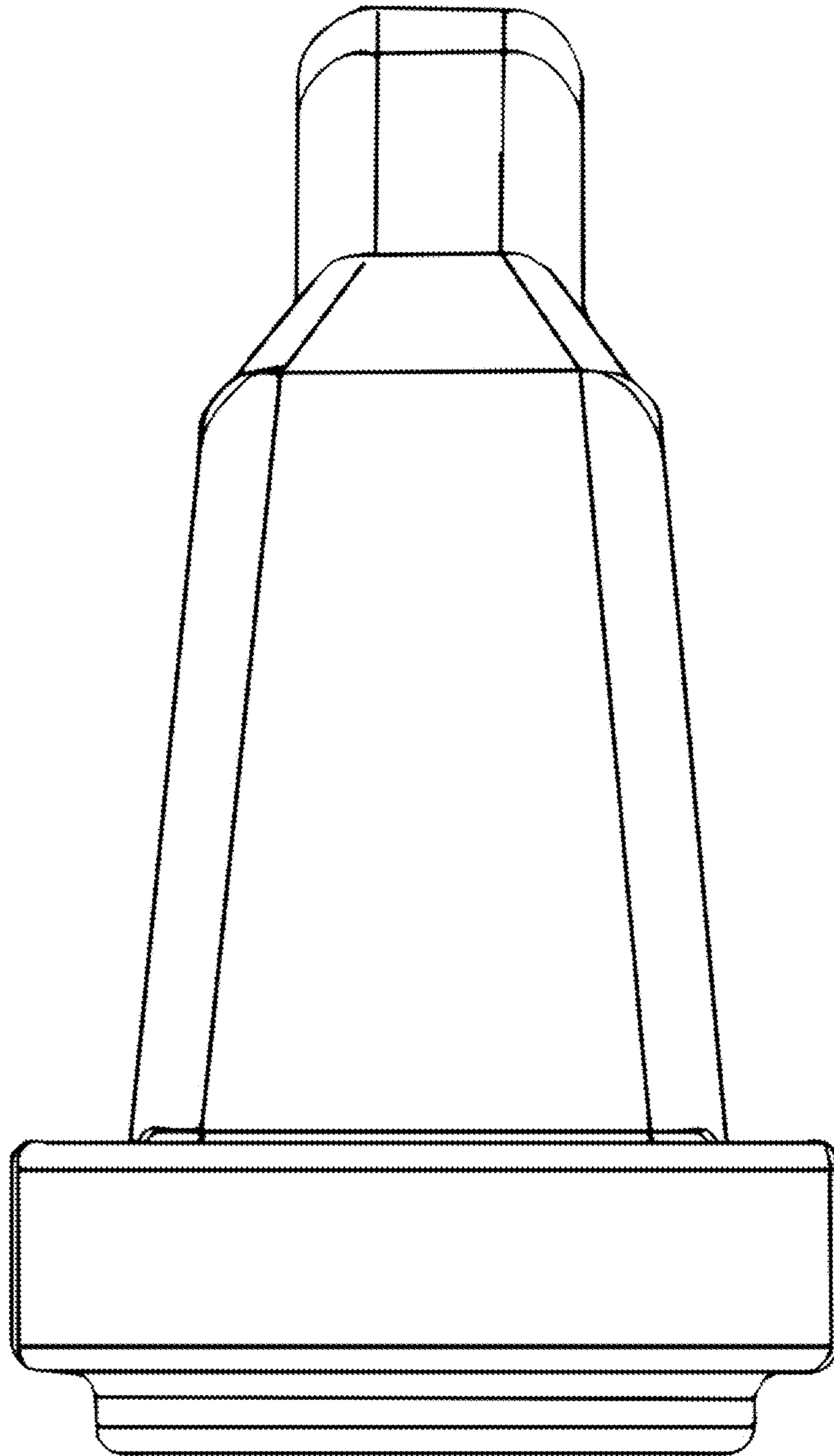


FIG. 7

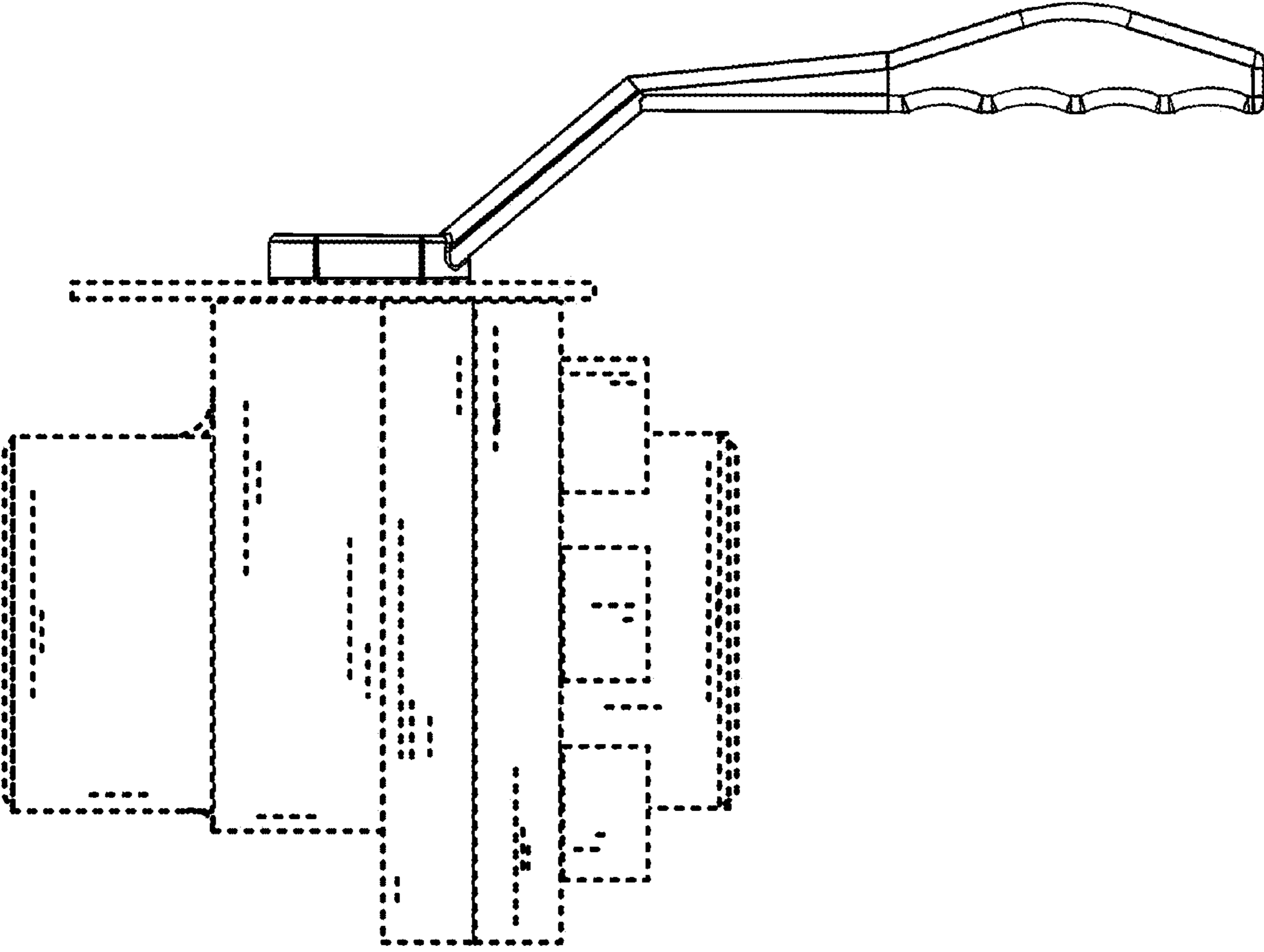


FIG. 8