



US00D880657S

(12) **United States Design Patent** (10) **Patent No.:** **US D880,657 S**
Brame (45) **Date of Patent:** **** Apr. 7, 2020**

(54) **GRASS SPRINKLER HEAD GUARD**

(71) Applicant: **John Brame**, Denver, CO (US)

(72) Inventor: **John Brame**, Denver, CO (US)

(**) Term: **15 Years**

(21) Appl. No.: **29/635,242**

(22) Filed: **Jan. 30, 2018**

(51) **LOC (12) Cl.** **23-01**

(52) **U.S. Cl.**
USPC **D23/218**

(58) **Field of Classification Search**
USPC D23/213, 214, 218, 227, 254; D8/350,
D8/352, 399; D21/443, 444, 386, 390,
D21/471, 488, 498; D30/160; D11/11,
D11/22, 41, 76

CPC B05B 15/70; B05B 15/00; A01G 3/06;
A63F 13/10

See application file for complete search history.

(56) **References Cited**

U.S. PATENT DOCUMENTS

- 2,080,341 A * 5/1937 Schumacher A01G 25/00
239/201
- 2,751,250 A * 6/1956 Block B05B 15/16
239/201
- 3,312,472 A * 4/1967 Kerr A63H 33/18
473/589
- D253,755 S * 12/1979 Minassian D11/81
- D256,386 S * 8/1980 Bergland 239/201
- D304,812 S * 11/1989 De brey D11/227
- 5,037,030 A 8/1991 Apodaca
- 5,211,338 A 5/1993 Leite
- D391,888 S * 3/1998 Fox D11/41
- 5,772,118 A 6/1998 Fabiano
- D403,750 S * 1/1999 Fabian D23/254
- 5,918,814 A 7/1999 Hough
- D450,182 S * 11/2001 Truisi D3/211
- D473,934 S * 4/2003 Singtoroj D23/254
- D486,559 S * 2/2004 Otero D23/254

- D554,974 S * 11/2007 Huang D8/352
- D636,289 S * 4/2011 Cohen D11/95
- D655,820 S * 3/2012 Thomas D24/204
- D682,666 S * 5/2013 Wigboldy D8/399
- 8,465,377 B1 * 6/2013 Kamnikar A63B 69/3676
473/266
- D696,930 S * 1/2014 Rodenhouse D8/399
- D722,648 S * 2/2015 Barry D21/302
- 9,149,825 B1 10/2015 Blakeslee
- 2003/0190970 A1 * 10/2003 Patterson A63B 63/06
473/174
- 2005/0023375 A1 2/2005 Tanczos
- 2013/0324273 A1 * 12/2013 Reino A63B 69/3676
473/176

FOREIGN PATENT DOCUMENTS

WO 2004091803 10/2004

OTHER PUBLICATIONS

20 Pack—Orbit 5 inch Plastic Sprinkler Spray Guard for Pop-Up Heads [Dec. 12, 2019] found online [Dec. 12, 2019]—https://www.amazon.com/20-Pack-Plastic-Sprinkler-Pop-Up/dp/B00LORJ04U/ref=pd_sbs_86_img_0/141-2585903-2590911?encoding=UTF8&pd_rd_i=B00LORJ04U&pd_rd_r=257ea61e-b827-4e9e-abc00-d06be531418f&pd_rd_w=xHT.*

* cited by examiner

Primary Examiner — Cathron C Brooks

Assistant Examiner — John A Voytek

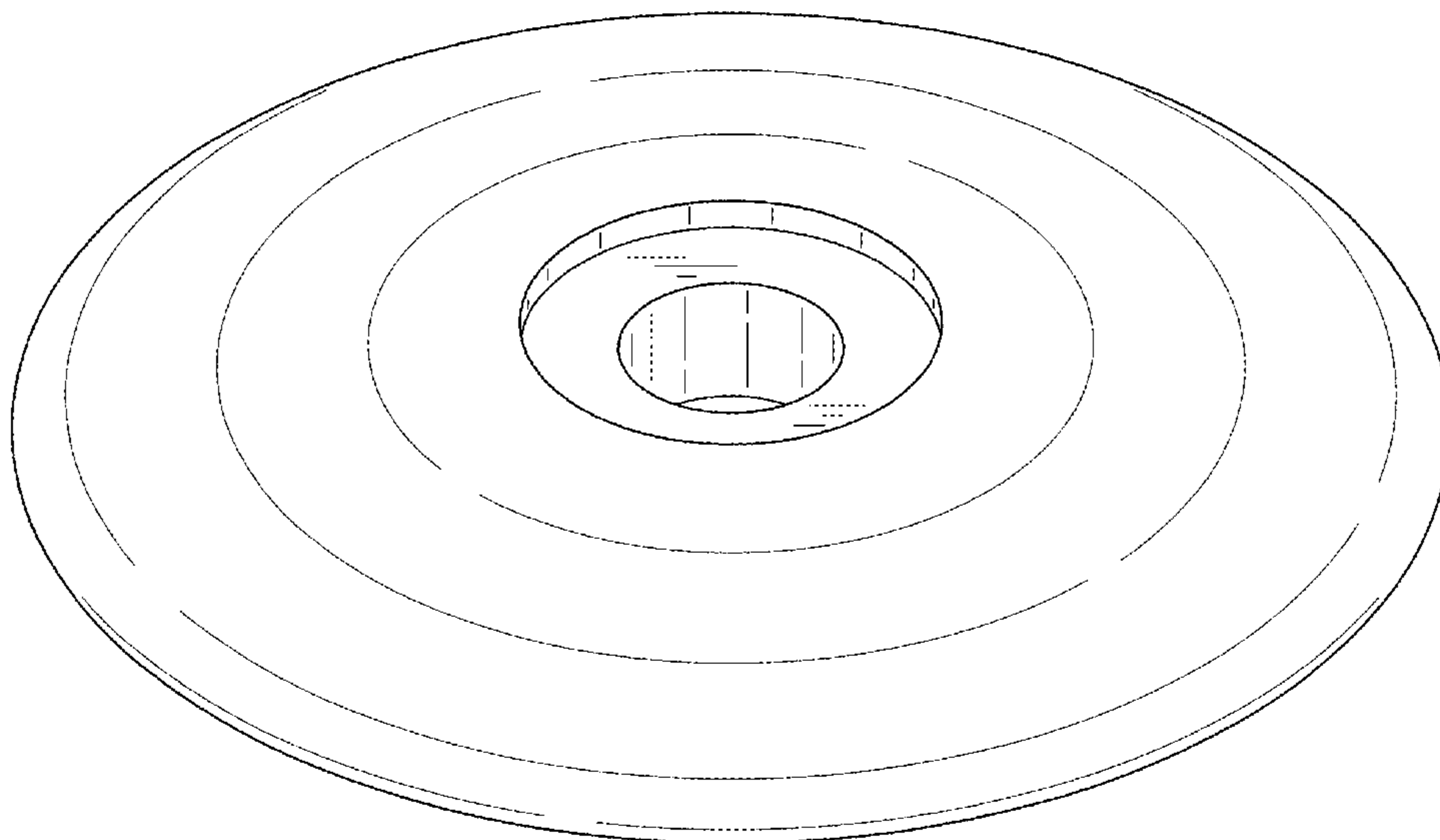
(57) **CLAIM**

I claim the ornamental design for a grass sprinkler head guard, as shown and described.

DESCRIPTION

FIG. 1 is a front view of the grass sprinkler head guard. FIG. 2 is a top view of the claimed design. FIG. 3 is a bottom view of the claimed design; and, FIG. 4 is a perspective view of the claimed design.

1 Claim, 4 Drawing Sheets



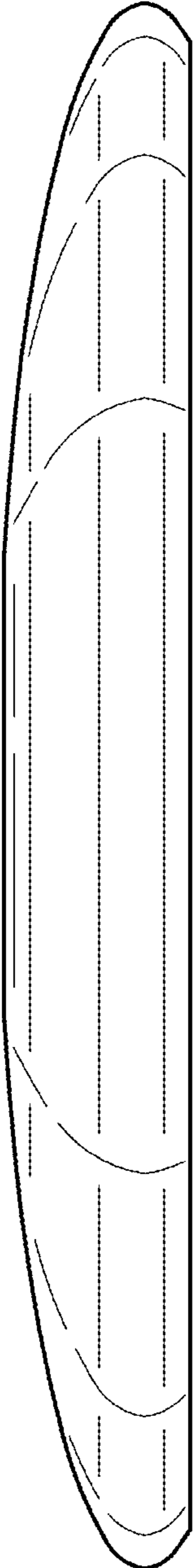


FIG. 1

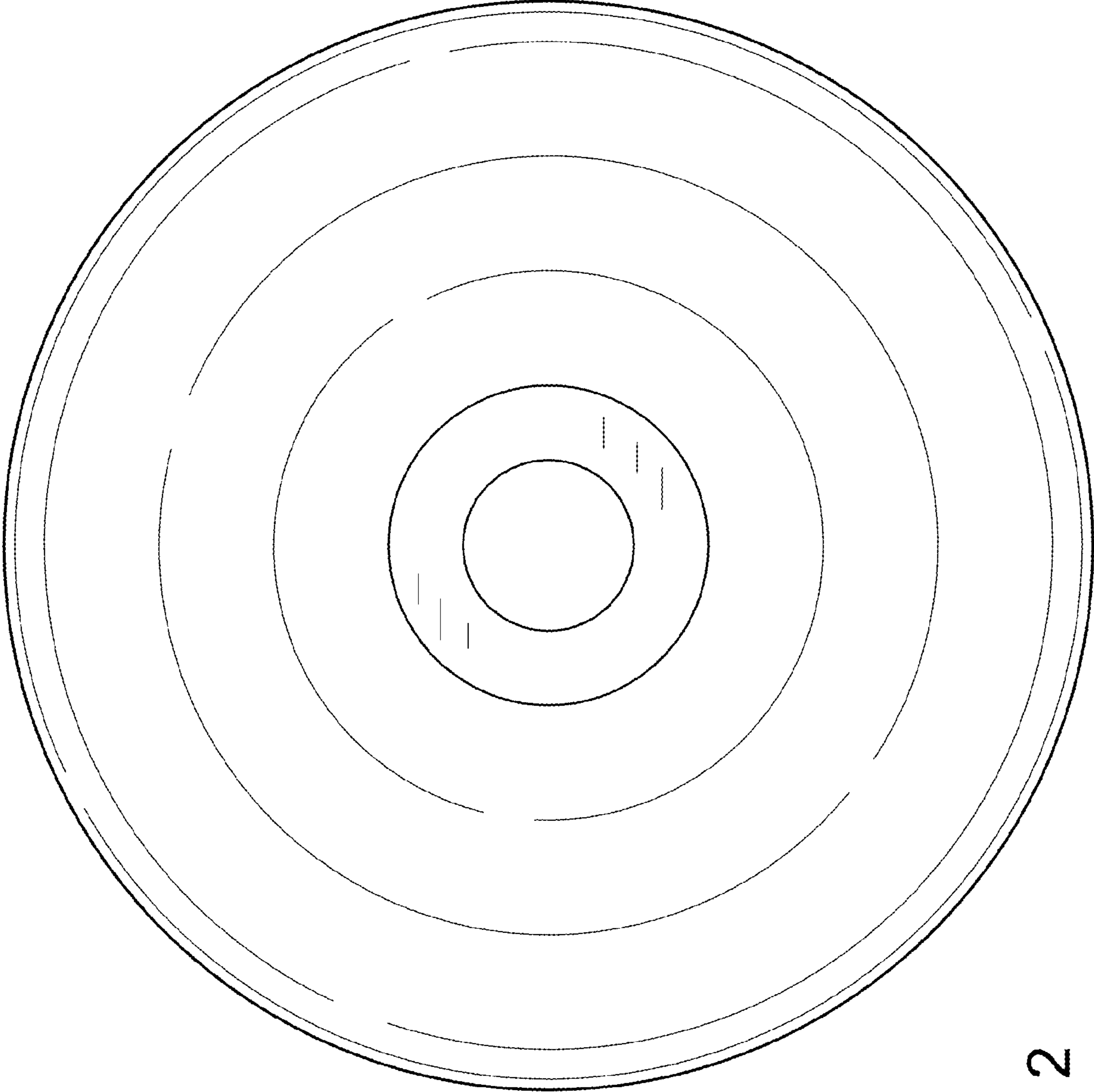


FIG. 2

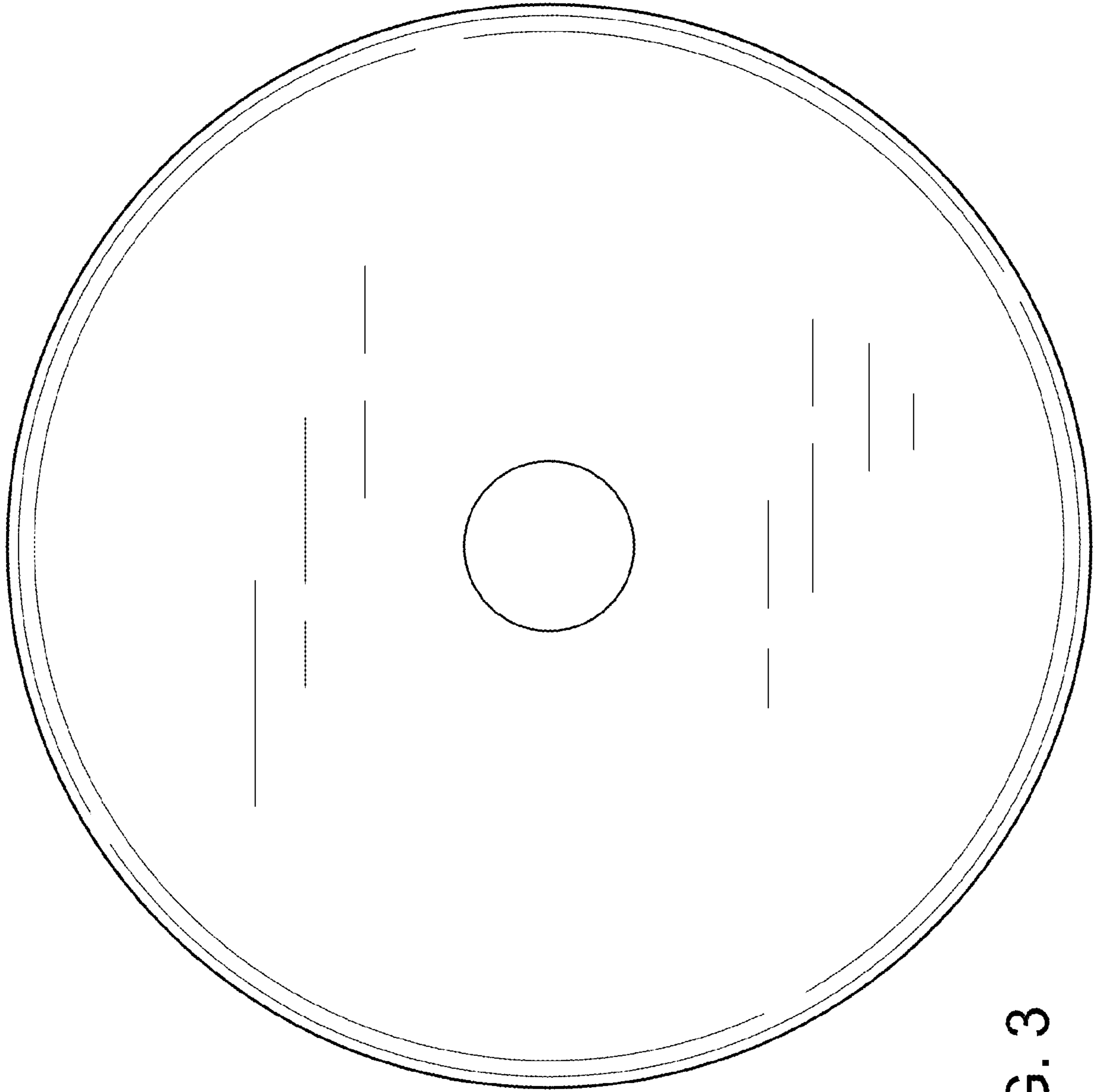


FIG. 3

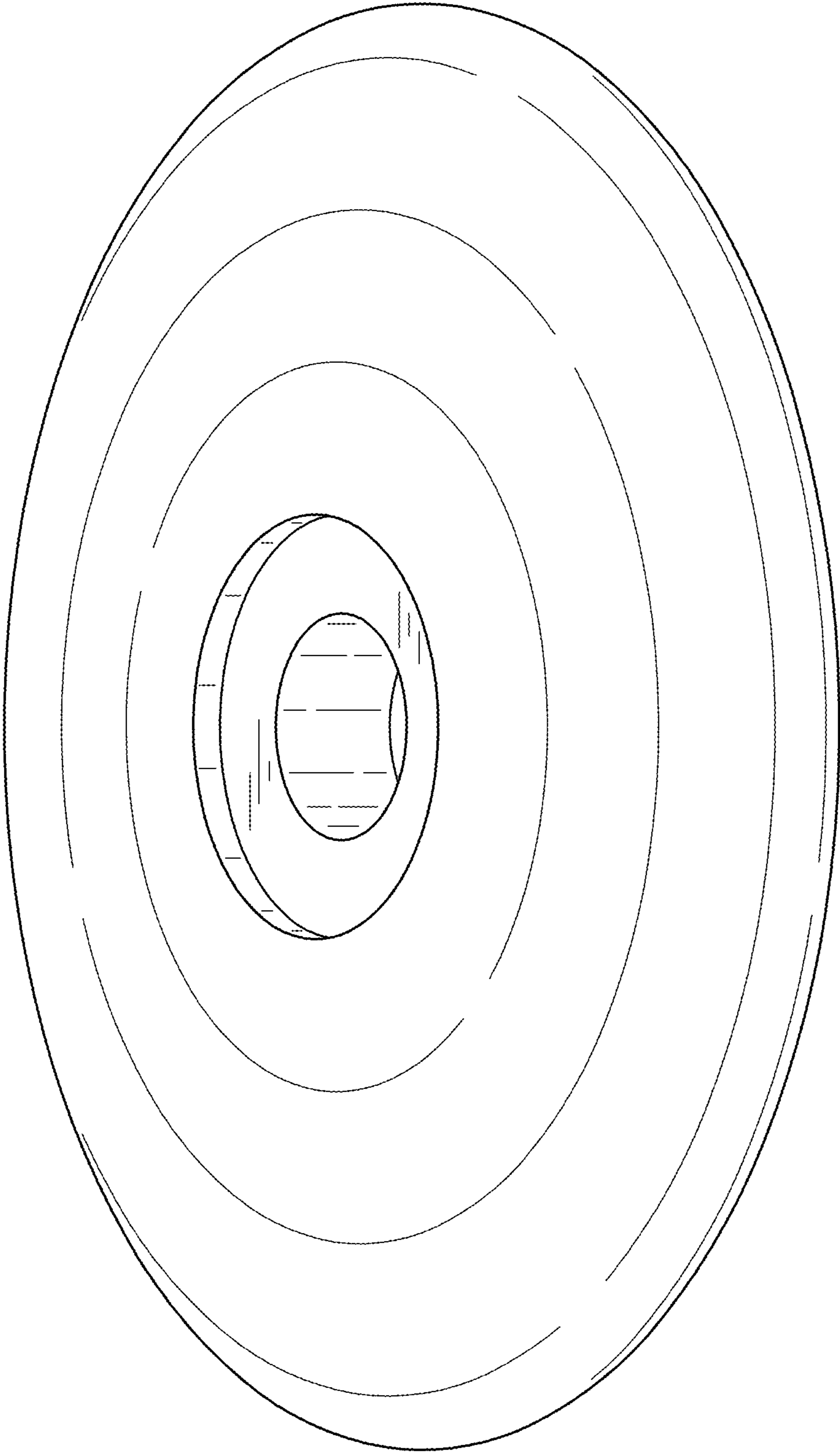


FIG. 4