



US00D880655S

(12) **United States Design Patent**
Wei

(10) **Patent No.:** **US D880,655 S**

(45) **Date of Patent:** **** Apr. 7, 2020**

(54) **WATER FILTER**

(71) Applicant: **Tianjin Tianchuang Best Pure Environmental Science and Technology Co., Ltd., Tianjin (CN)**

(72) Inventor: **Enyu Wei, Tianjin (CN)**

(73) Assignee: **Tianjin Tianchuang Best Pure Environmental Science and Technology Co., Ltd., Tianjin (CN)**

(**) Term: **15 Years**

(21) Appl. No.: **29/655,812**

(22) Filed: **Jul. 7, 2018**

(30) **Foreign Application Priority Data**

Apr. 27, 2018 (CN) 2018 3 0184659

(51) **LOC (12) Cl.** **23-01**

(52) **U.S. Cl.**
USPC **D23/209**

(58) **Field of Classification Search**

USPC D23/200, 207, 208, 209; 210/87, 232, 210/238, 244, 282, 747.3, 767; D7/700; D32/53; D24/162, 132; 4/223, 225.1, 4/227.1, 231

CPC .. B01D 35/143; B01D 35/30; B01D 19/0031; B01D 29/90; B01D 29/27; B01D 29/56; C02F 1/003; C02F 1/283; C02F 1/60

See application file for complete search history.

(56) **References Cited**

U.S. PATENT DOCUMENTS

D398,369 S * 9/1998 Hayes D23/209
D457,596 S * 5/2002 Guzman D23/209

D529,128 S * 9/2006 Lee D23/209
D574,925 S * 8/2008 Morita D23/209
7,617,939 B2 * 11/2009 Klump C02F 1/001
137/562
D635,640 S * 4/2011 Xu D23/209
9,004,290 B2 * 4/2015 Tanner C02F 1/003
210/416.3
D794,747 S * 8/2017 Kimura D23/207
D822,791 S * 7/2018 Kawai D23/207
D823,433 S * 7/2018 Benson D23/209

* cited by examiner

Primary Examiner — Cathron C Brooks

Assistant Examiner — John A Voytek

(74) *Attorney, Agent, or Firm* — Mei & Mark LLP; Lei Mei; Manni Li

(57) **CLAIM**

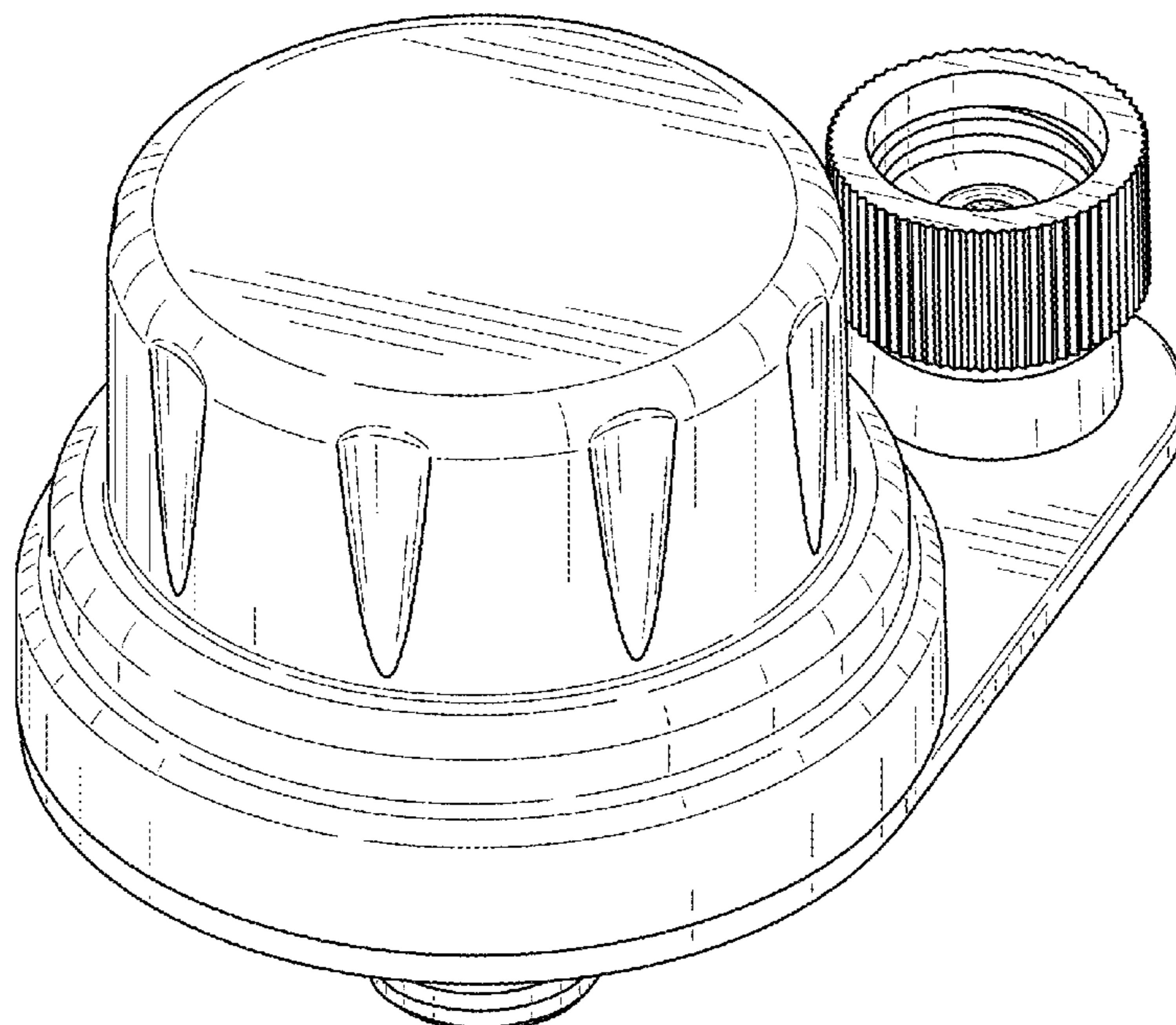
The ornamental design for a water filter, as shown and described.

DESCRIPTION

FIG. 1 is a perspective view of a water filter according to the present invention;
FIG. 2 is a front view thereof;
FIG. 3 is a rear view thereof;
FIG. 4 is a right view thereof;
FIG. 5 is a left view thereof;
FIG. 6 is a top view thereof; and,
FIG. 7 is a bottom view thereof.

In the drawings, the broken lines depict portions of the water filter that form no part of the claimed design.

1 Claim, 4 Drawing Sheets



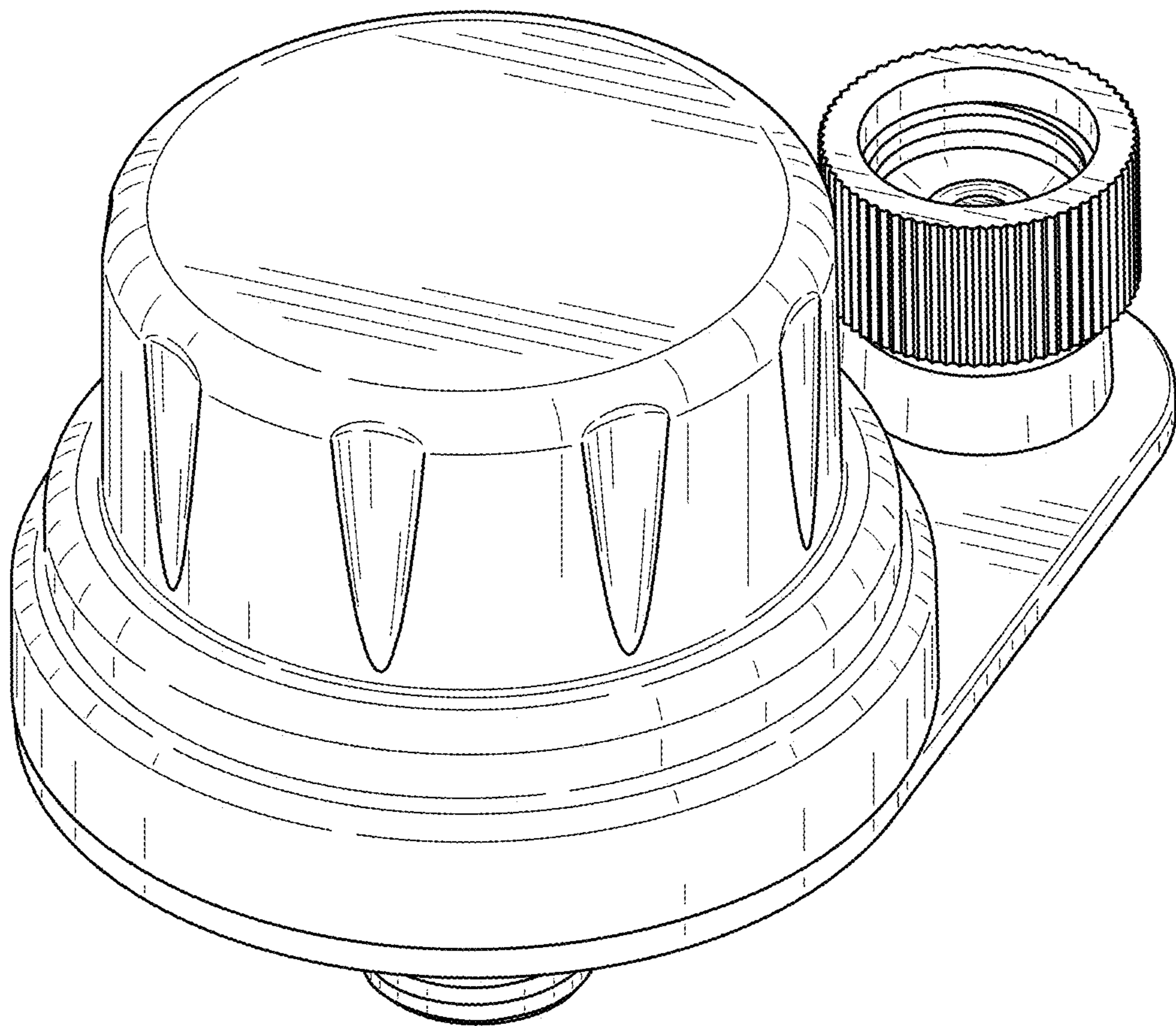


FIG. 1

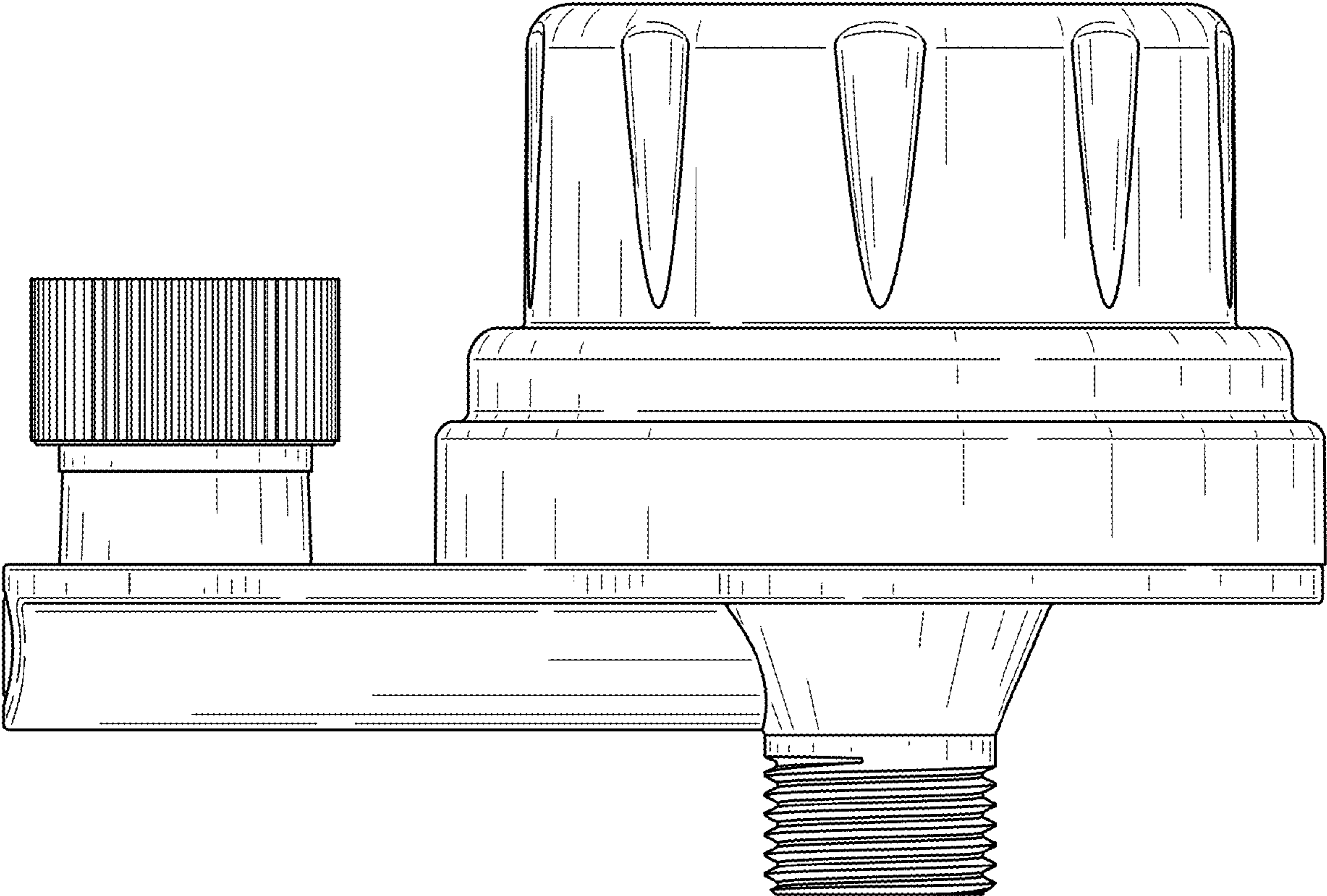


FIG. 2

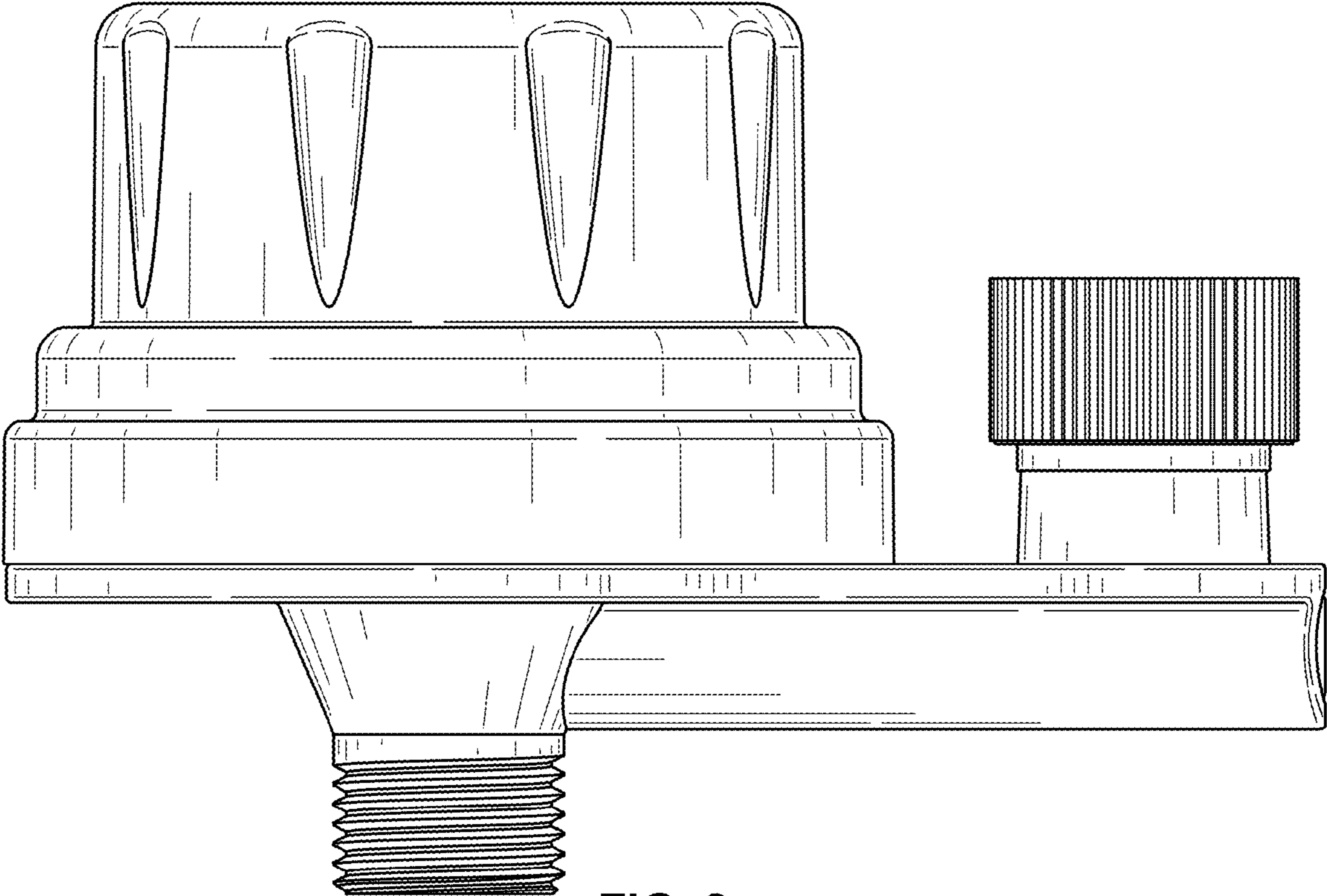


FIG. 3

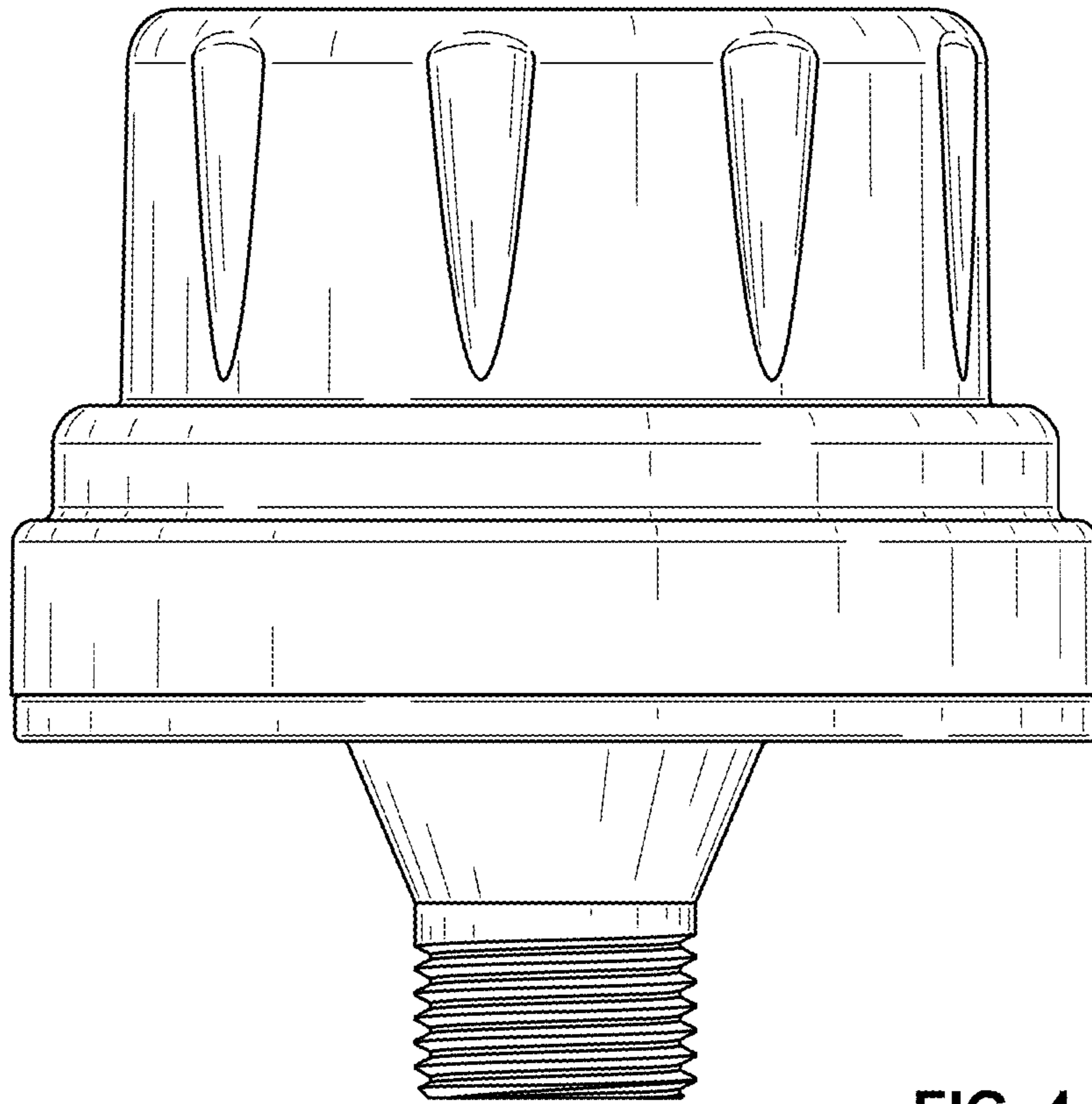


FIG. 4

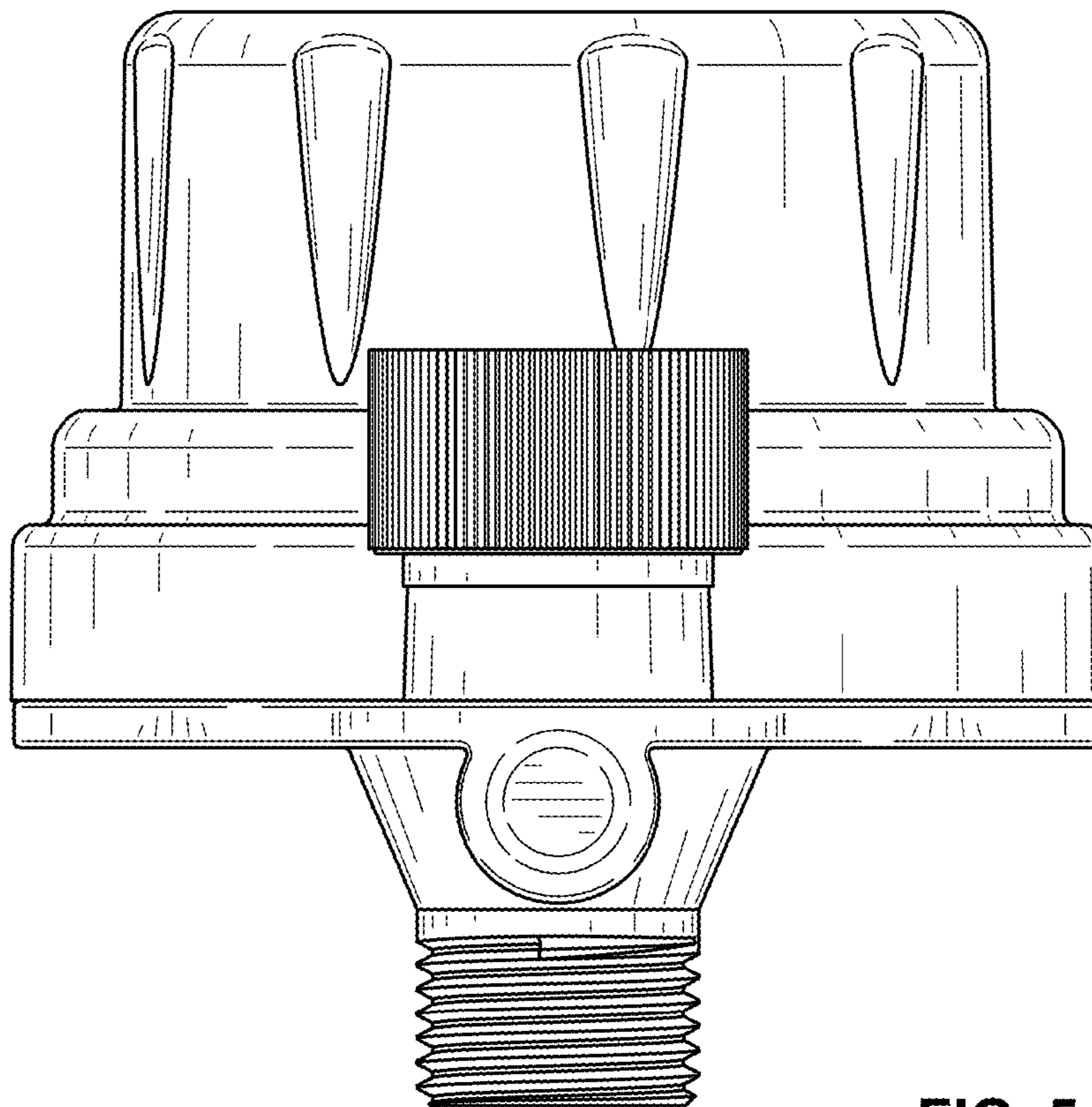


FIG. 5

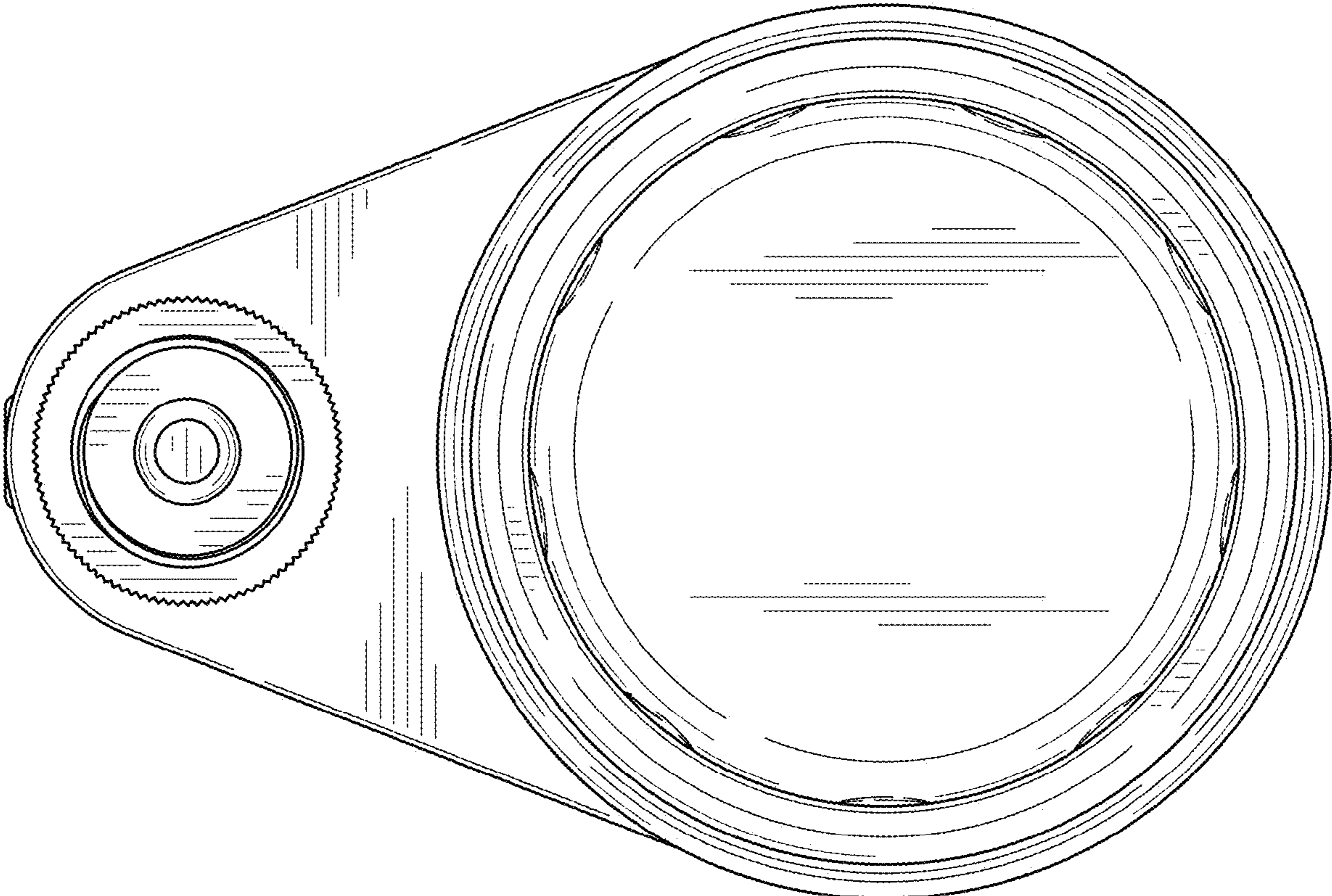


FIG. 6

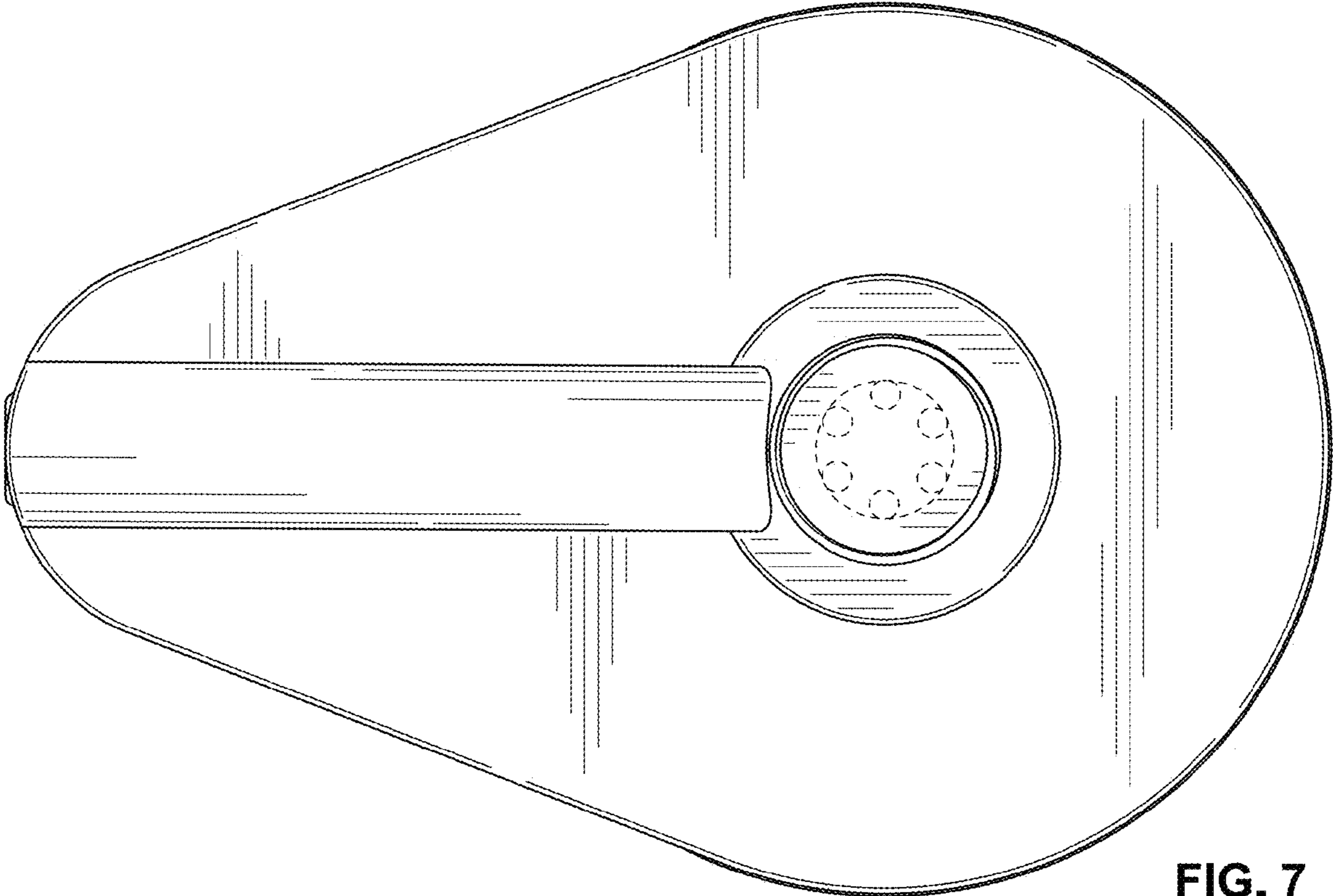


FIG. 7