



US00D880654S

(12) **United States Design Patent** (10) **Patent No.:** **US D880,654 S**
Sheng et al. (45) **Date of Patent:** **** Apr. 7, 2020**

(54) **WATER PURIFIER**
 (71) Applicant: **HON HAI PRECISION INDUSTRY CO., LTD.**, New Taipei (TW)
 (72) Inventors: **Ying-Wei Sheng**, New Taipei (TW);
Wei-Chien Hsu, New Taipei (TW);
Yu-Chao Li, Shenzhen (CN)
 (73) Assignee: **HON HAI PRECISION INDUSTRY CO., LTD.**, New Taipei (TW)

D547,827 S * 7/2007 Kennedy D23/209
 D568,666 S * 5/2008 Souloglou D7/316
 D588,160 S * 3/2009 Beale D15/7
 D598,234 S * 8/2009 Bodum D7/317
 (Continued)

(**) Term: **15 Years**
 (21) Appl. No.: **29/649,921**
 (22) Filed: **Jun. 4, 2018**

(30) **Foreign Application Priority Data**
 Dec. 15, 2017 (CN) 2017 3 0643384
 (51) **LOC (12) Cl.** **23-01**
 (52) **U.S. Cl.**
 USPC **D23/209**
 (58) **Field of Classification Search**
 USPC D7/317, 384; D15/7, 8; D23/207, 208,
 D23/209, 210, 233, 299, 336, 366
 CPC B01D 35/12; B01D 35/301; B01D 35/153;
 B01D 29/114; B01D 2201/4092
 See application file for complete search history.

(56) **References Cited**
 U.S. PATENT DOCUMENTS
 D214,165 S * 5/1969 Sesholtz D23/316
 D290,638 S * 6/1987 Bishop D23/207
 D306,754 S * 3/1990 Petrucci D23/209
 D314,607 S * 2/1991 Kapec D23/209
 D377,677 S * 1/1997 Robbins D23/209
 D384,128 S * 9/1997 Scott D23/209
 D407,462 S * 3/1999 Bishop D23/207
 D521,593 S * 5/2006 Mitsis D23/207
 D522,615 S * 6/2006 Kleffmann D23/233
 D547,826 S * 7/2007 Kennedy D23/209

OTHER PUBLICATIONS

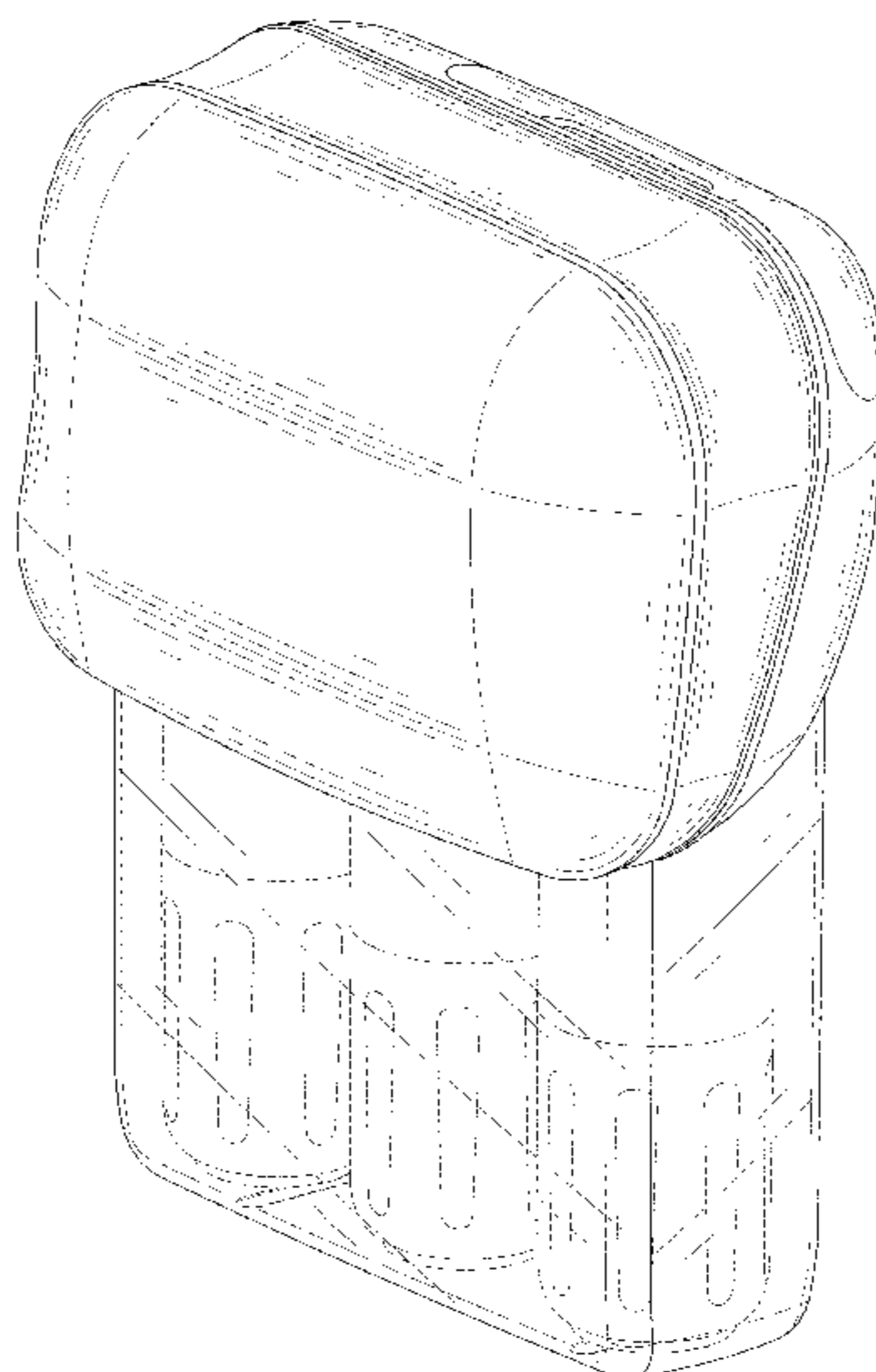
<https://www.amazon.com/Frizzlife-SK99-Precision-chlorine-chloramine/dp/> (Year: 2019).*

Primary Examiner — Manpreet S Matharu
Assistant Examiner — Keith J Wilson
 (74) *Attorney, Agent, or Firm* — ScienBiziP, P.C.

(57) **CLAIM**
 We claim the ornamental design for a water purifier, as shown and described.

DESCRIPTION
 FIG. 1 is a front perspective view of an embodiment of a water purifier, showing our new design;
 FIG. 2 is a rear perspective view of the water purifier shown in FIG. 1;
 FIG. 3 is a front elevation view of the water purifier shown in FIG. 1;
 FIG. 4 is a rear elevation view of the water purifier shown in FIG. 1;
 FIG. 5 is a left side elevation view of the water purifier shown in FIG. 1;
 FIG. 6 is a right side elevation view of the water purifier shown in FIG. 1;
 FIG. 7 is a top plan view of the water purifier shown in FIG. 1; and,
 FIG. 8 is a bottom plan view of the water purifier shown in FIG. 1.
 The broken lines in the drawings depict portions of the water purifier that form no part of the claimed design. The broken lines and unshaded regions bounded by broken lines form no part of the claimed design.

1 Claim, 8 Drawing Sheets



(56)

References Cited

U.S. PATENT DOCUMENTS

D610,650 S * 2/2010 Kulikov D23/209
D616,694 S * 6/2010 Kulikov D23/209
D621,001 S * 8/2010 Maziel D23/209
D656,578 S * 3/2012 Sherman D23/209
D668,741 S * 10/2012 Choi D23/209
D676,108 S * 2/2013 Kulikov D23/209
D742,928 S * 11/2015 West D15/7
D759,788 S * 6/2016 Wei D23/207
D768,810 S * 10/2016 Wei D23/207
D768,812 S * 10/2016 Kruse D23/209
D783,774 S * 4/2017 Costantini D23/209
D788,825 S * 6/2017 Hawkins D15/7
D792,554 S * 7/2017 Kruse D23/209
D793,524 S * 8/2017 Kruse D23/209
D826,374 S * 8/2018 Berducat D23/209
D826,375 S * 8/2018 Berducat D23/209
D846,693 S * 4/2019 Zou D23/209
D857,158 S * 8/2019 Zou D23/209
D863,500 S * 10/2019 Zou D23/209
D865,119 S * 10/2019 An D23/209
2004/0051381 A1 * 3/2004 Garner F15B 13/0814
307/11
2006/0226064 A1 * 10/2006 Beckman C02F 1/003
210/323.1
2018/0001237 A1 * 1/2018 Zhibin B01D 35/12

* cited by examiner

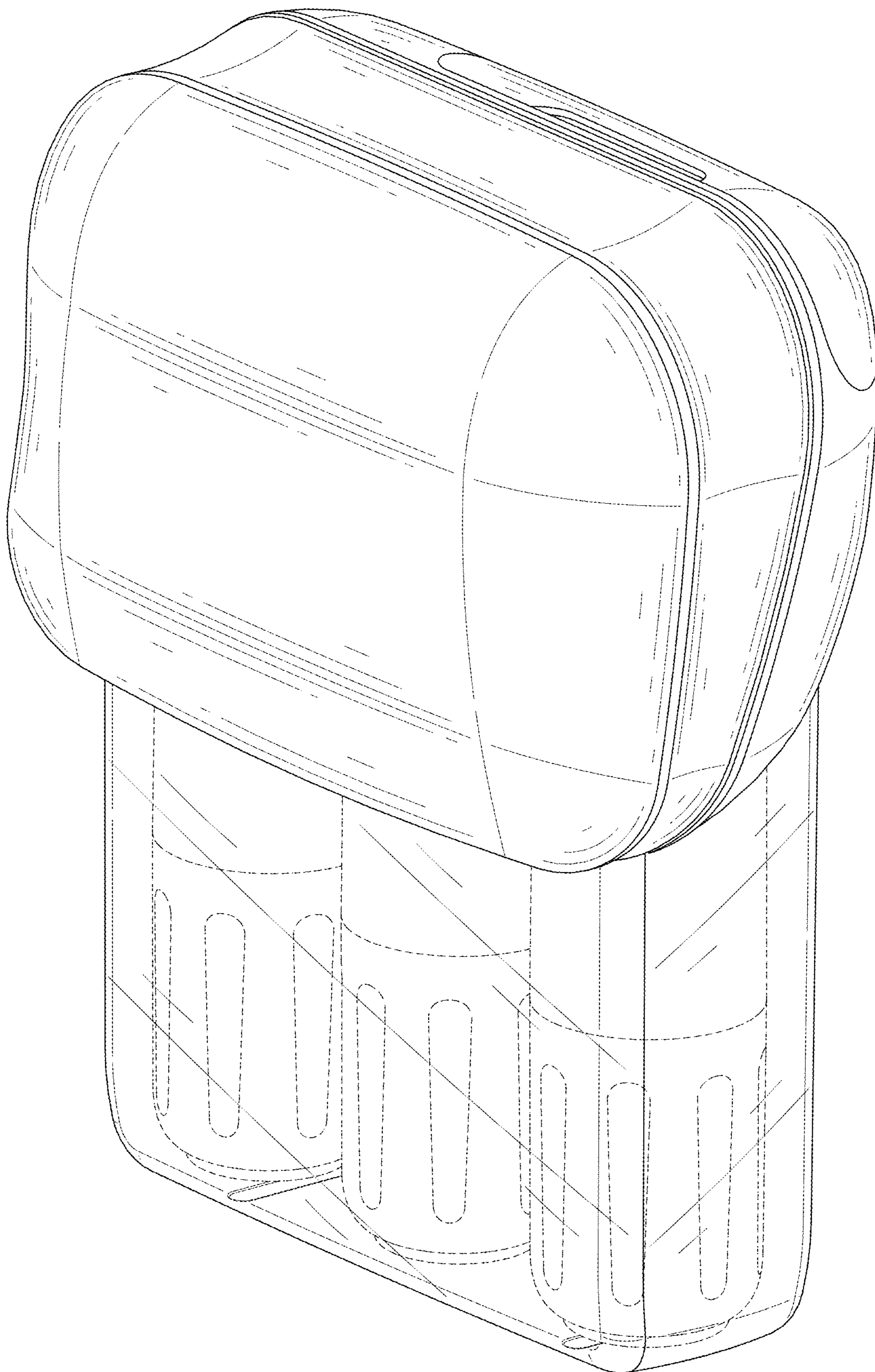


FIG. 1

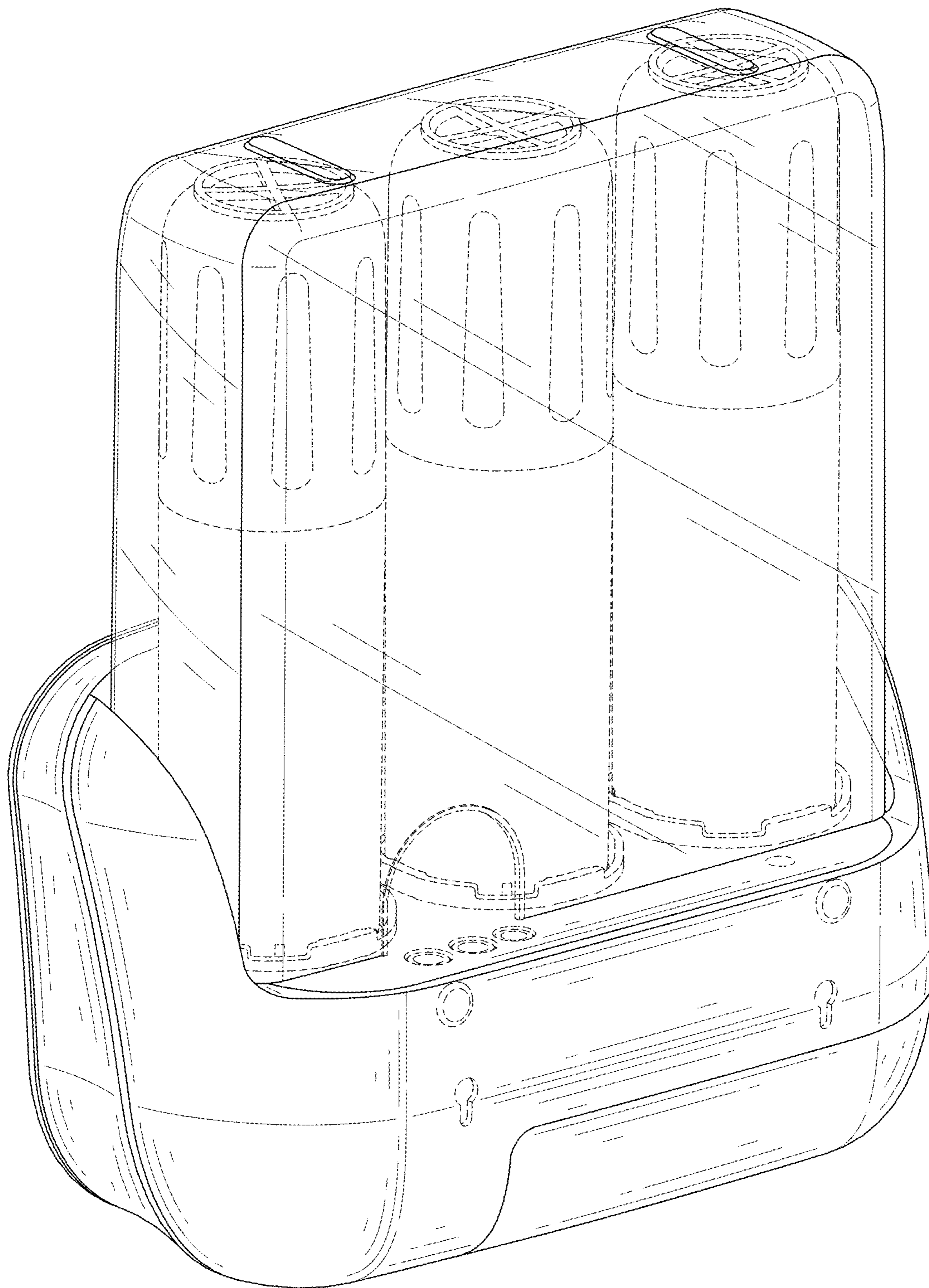


FIG. 2

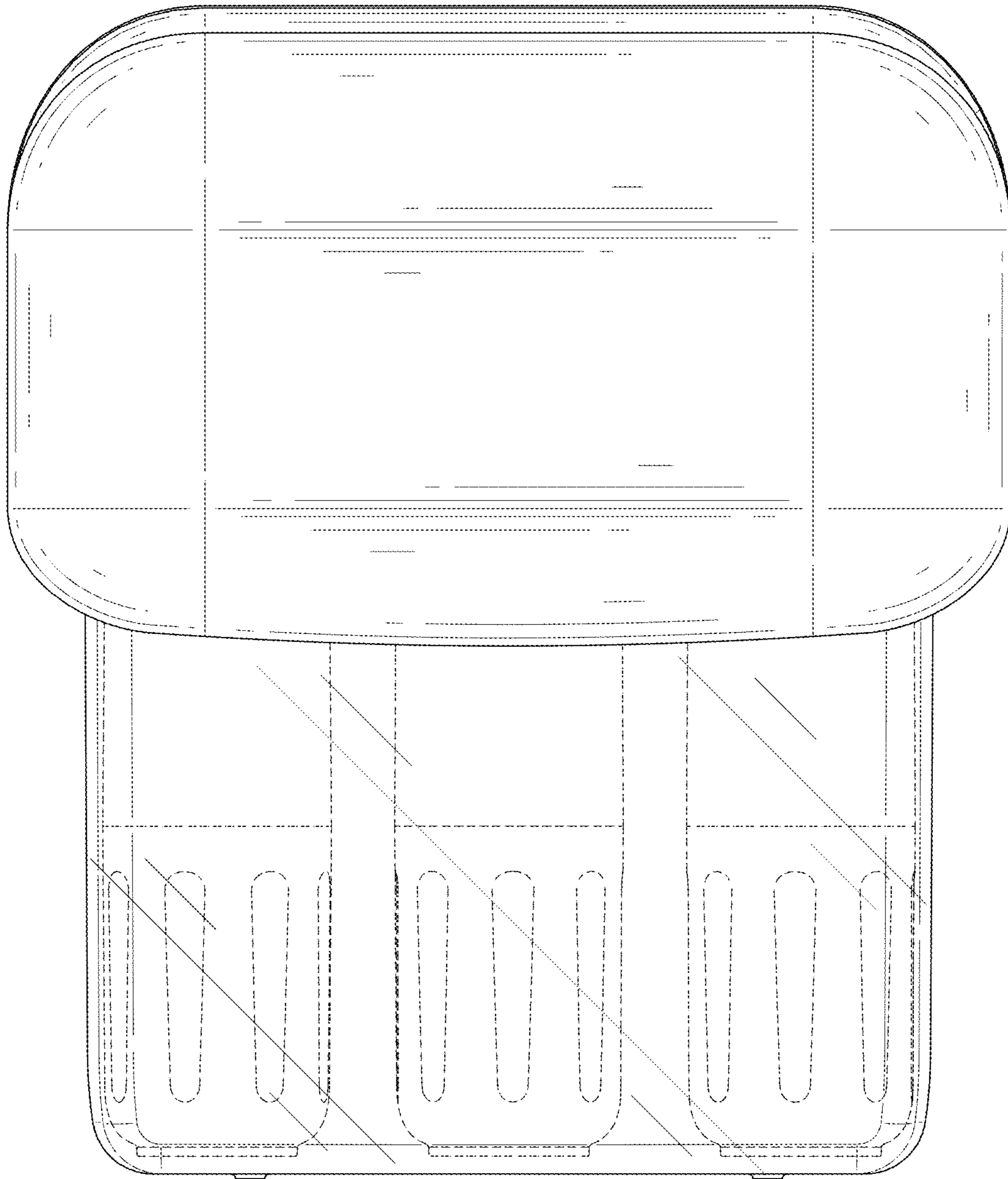


FIG. 3

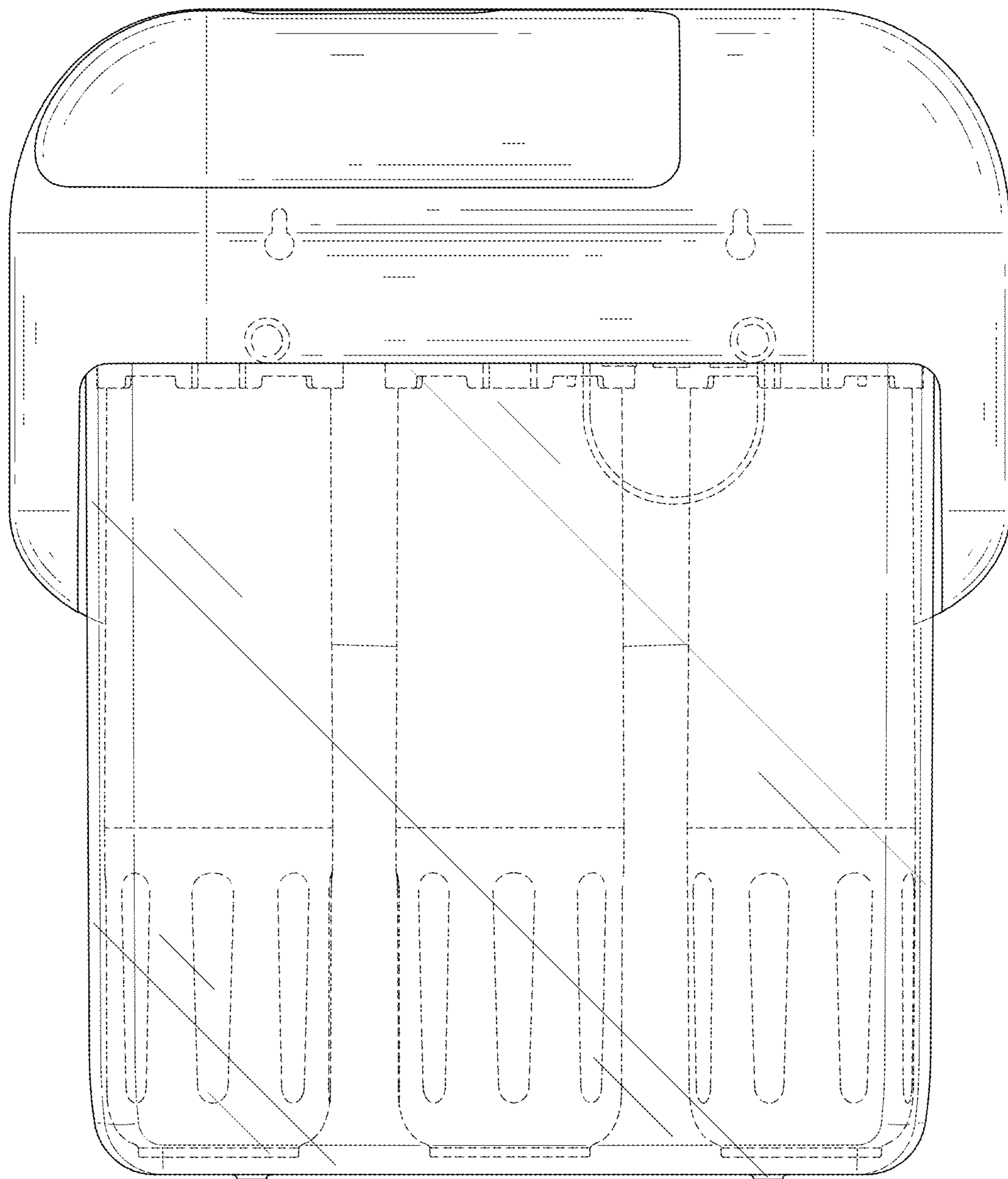


FIG. 4

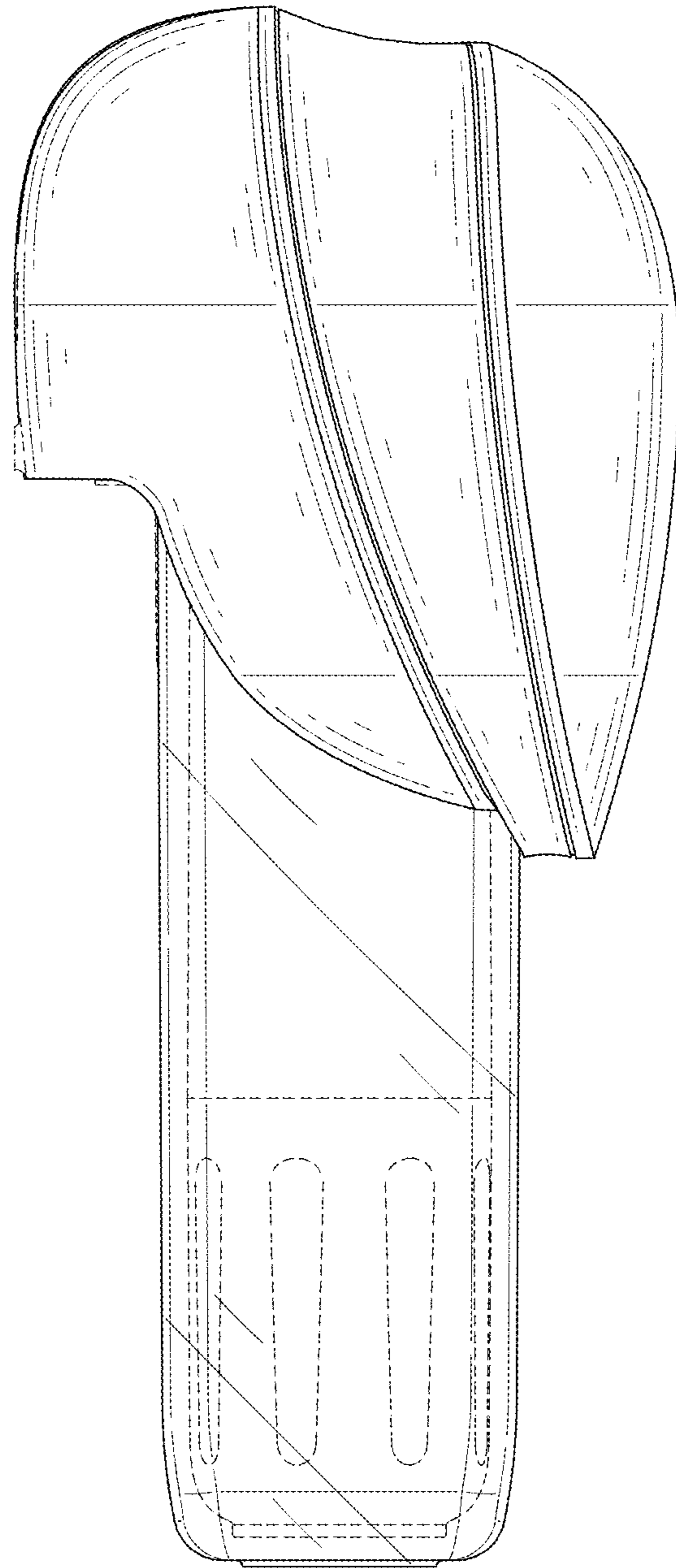


FIG. 5

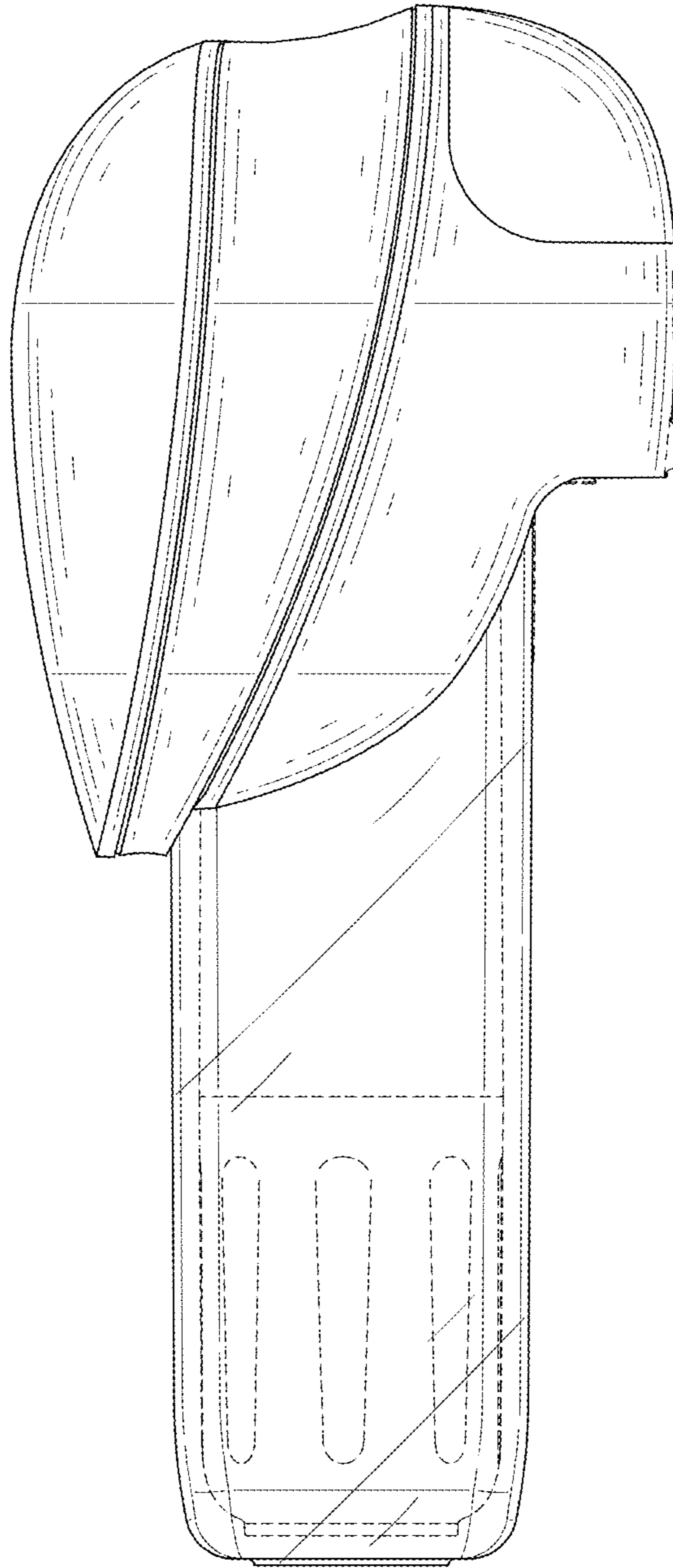


FIG. 6

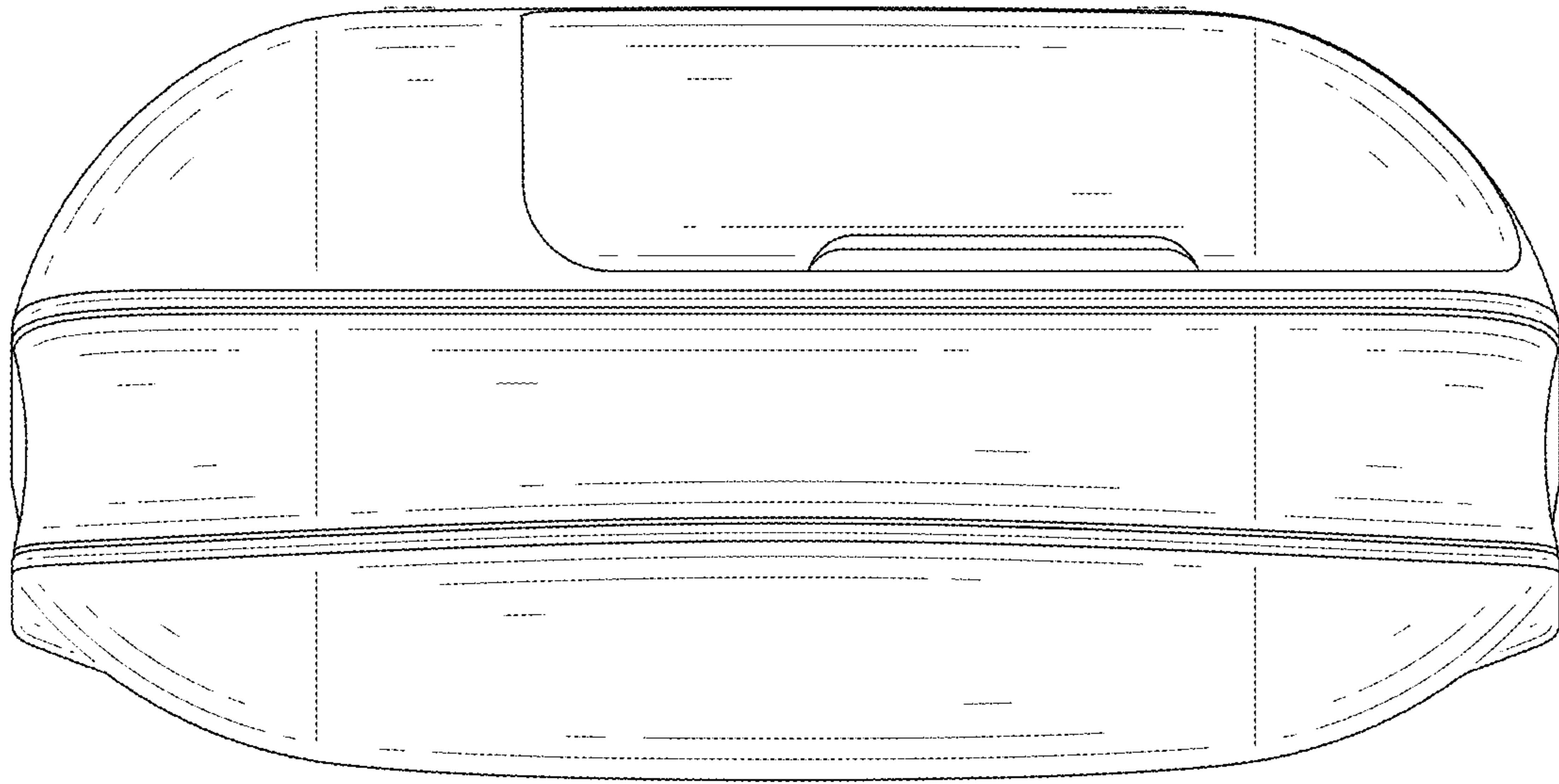


FIG. 7

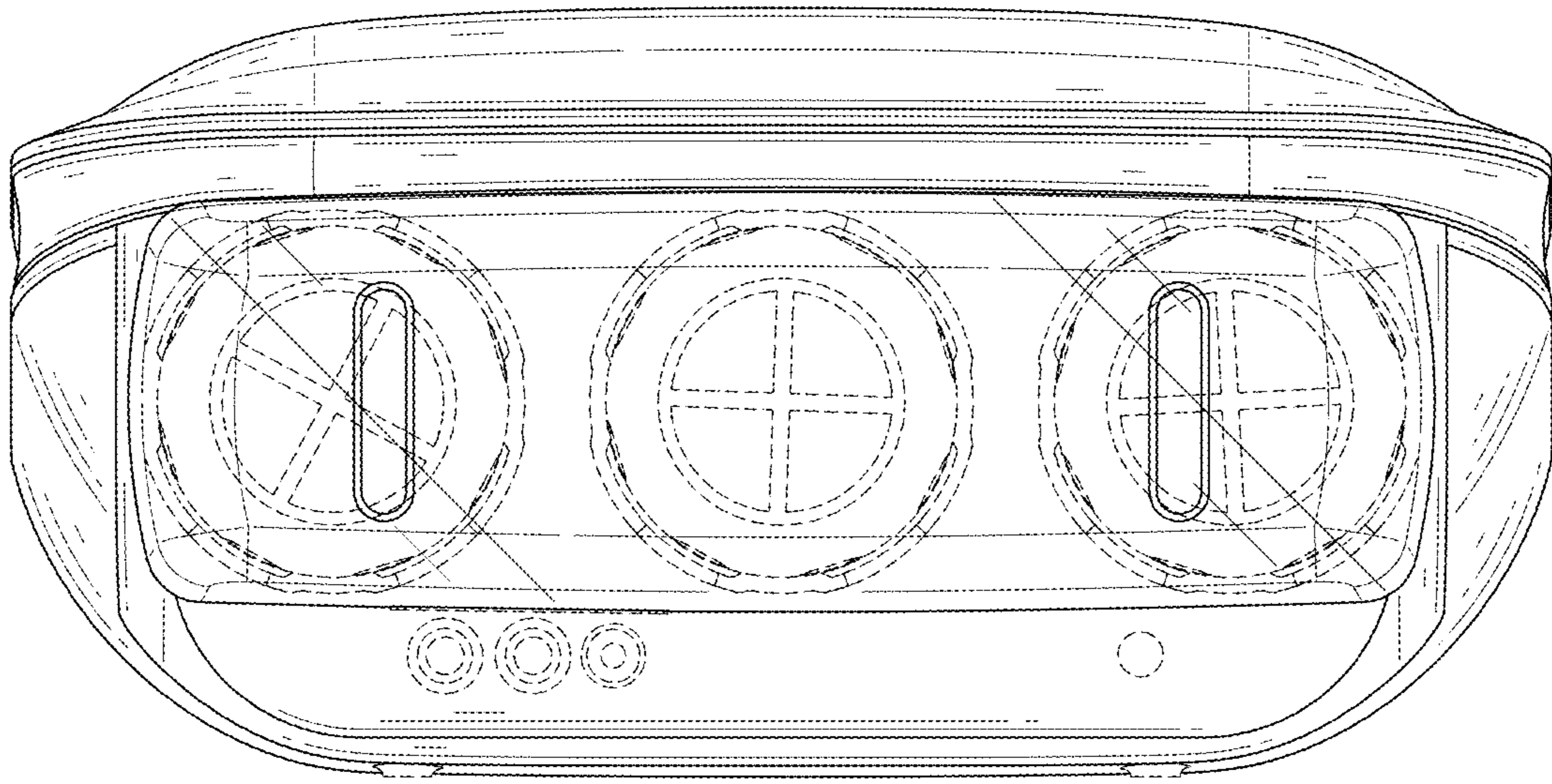


FIG. 8