



US00D880653S

(12) **United States Design Patent**  
**Bell**

(10) **Patent No.:** **US D880,653 S**

(45) **Date of Patent:** **\*\* Apr. 7, 2020**

(54) **ENVIRONMENTAL WASTE WATER  
FILTERING SYSTEM BASE**

(71) Applicant: **Bryce Paul Bell**, San Diego, CA (US)

(72) Inventor: **Bryce Paul Bell**, San Diego, CA (US)

(\*\*) Term: **15 Years**

(21) Appl. No.: **29/645,982**

(22) Filed: **Apr. 30, 2018**

**Related U.S. Application Data**

(63) Continuation of application No. 29/597,179, filed on Mar. 15, 2017, now Pat. No. Des. 816,799.

(51) **LOC (12) Cl.** ..... **23-01**

(52) **U.S. Cl.**  
USPC ..... **D23/209**

(58) **Field of Classification Search**

USPC ..... D23/200, 207, 208, 209; 210/87, 232, 210/238, 244, 282, 747.3, 767; D7/700; D32/53; D24/162, 132; 4/223, 225.1, 4/227.1, 231

CPC .. B01D 35/143; B01D 35/30; B01D 19/0031; B01D 29/90; B01D 29/27; B01D 29/56; C02F 1/003; C02F 1/283; C02F 1/60

See application file for complete search history.

(56) **References Cited**

**U.S. PATENT DOCUMENTS**

180,368 A	7/1876	Paul et al.	
533,563 A	2/1895	Shriner	
693,493 A	2/1902	Burger	
712,336 A	10/1902	Rudner	
935,722 A	10/1909	Zerkowitz	
987,261 A	3/1911	Schuyler	
1,753,577 A	4/1930	Cesare	
4,204,966 A	5/1980	Morgan, Jr.	
5,059,319 A	10/1991	Welsh	
D334,120 S *	3/1993	Faught	D7/700
5,246,580 A	9/1993	Stedfieldt	

(Continued)

**OTHER PUBLICATIONS**

Halosource Water Purifier [Aug. 26, 2019] found online [Aug. 26, 2019]—<https://www.mehdimojtabavi.com/water-purifier-gallery>.\*

(Continued)

*Primary Examiner* — Lakiya G Rogers

*Assistant Examiner* — John A Voytek

(74) *Attorney, Agent, or Firm* — Gary L. Eastman, Esq.; Eastman McCartney Dallmann LLP

(57) **CLAIM**

The ornamental design for an environmental waste water filtering system base, as shown and described.

**DESCRIPTION**

FIG. 1 is a top perspective view of an environmental waste water filtering system base;

FIG. 2 is a bottom perspective view of the environmental waste water filtering system base;

FIG. 3 is a front elevational view of the environmental waste water filtering system base;

FIG. 4 is a left elevational view of the environmental waste water filtering system base;

FIG. 5 is a bottom plan view of the environmental waste water filtering system base;

FIG. 6 is a top plan view of the environmental waste water filtering system base;

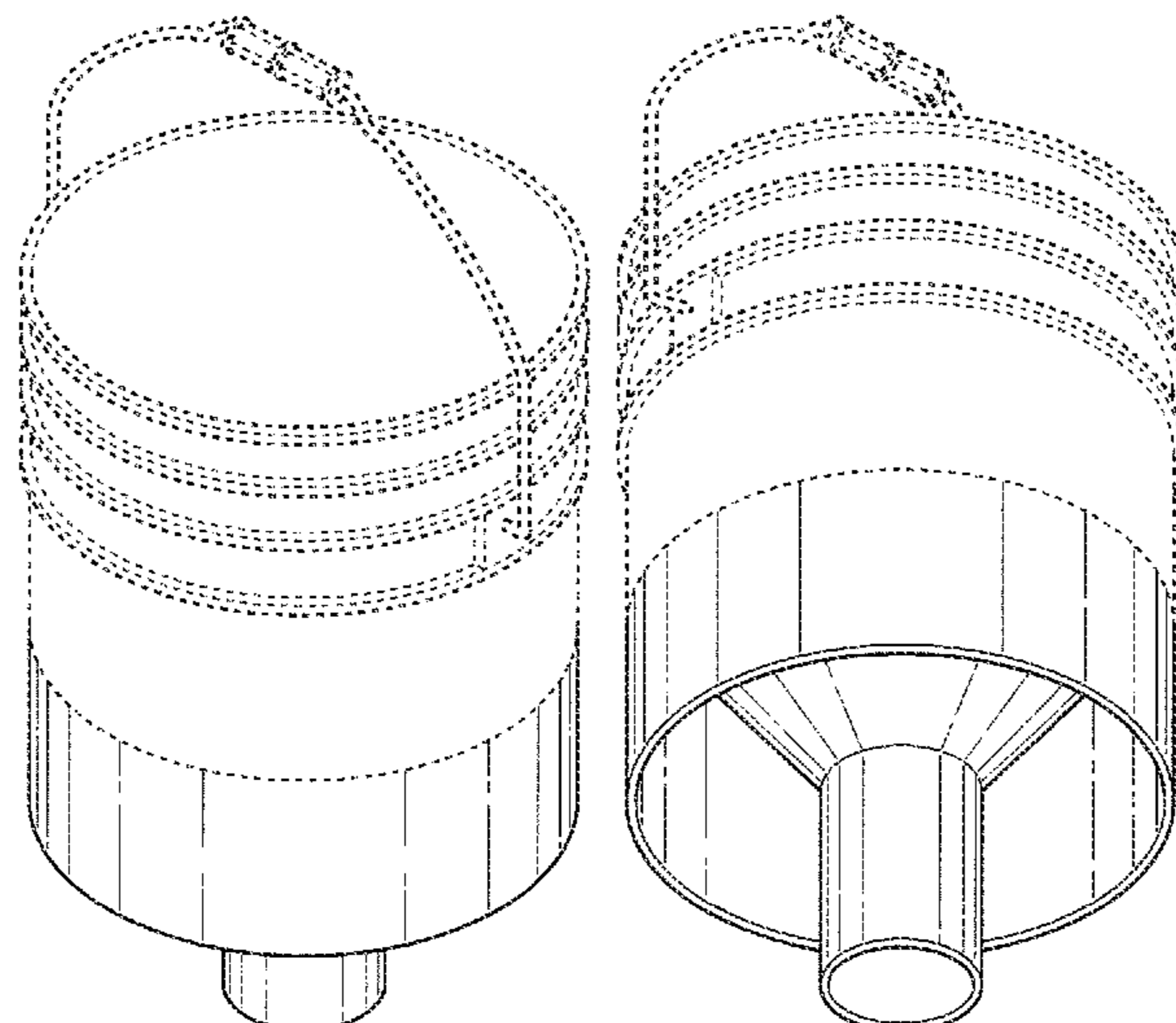
FIG. 7 is a front cutaway view of the environmental waste water filtering system base; and,

FIG. 8 is a left cutaway view of the environmental waste water filtering system base.

The back view is a mirror image of FIG. 3, and the right view is a mirror image of FIG. 4.

The broken lines shown in the figures illustrate environment that forms no part of the claimed design.

**1 Claim, 3 Drawing Sheets**



(56)

References Cited

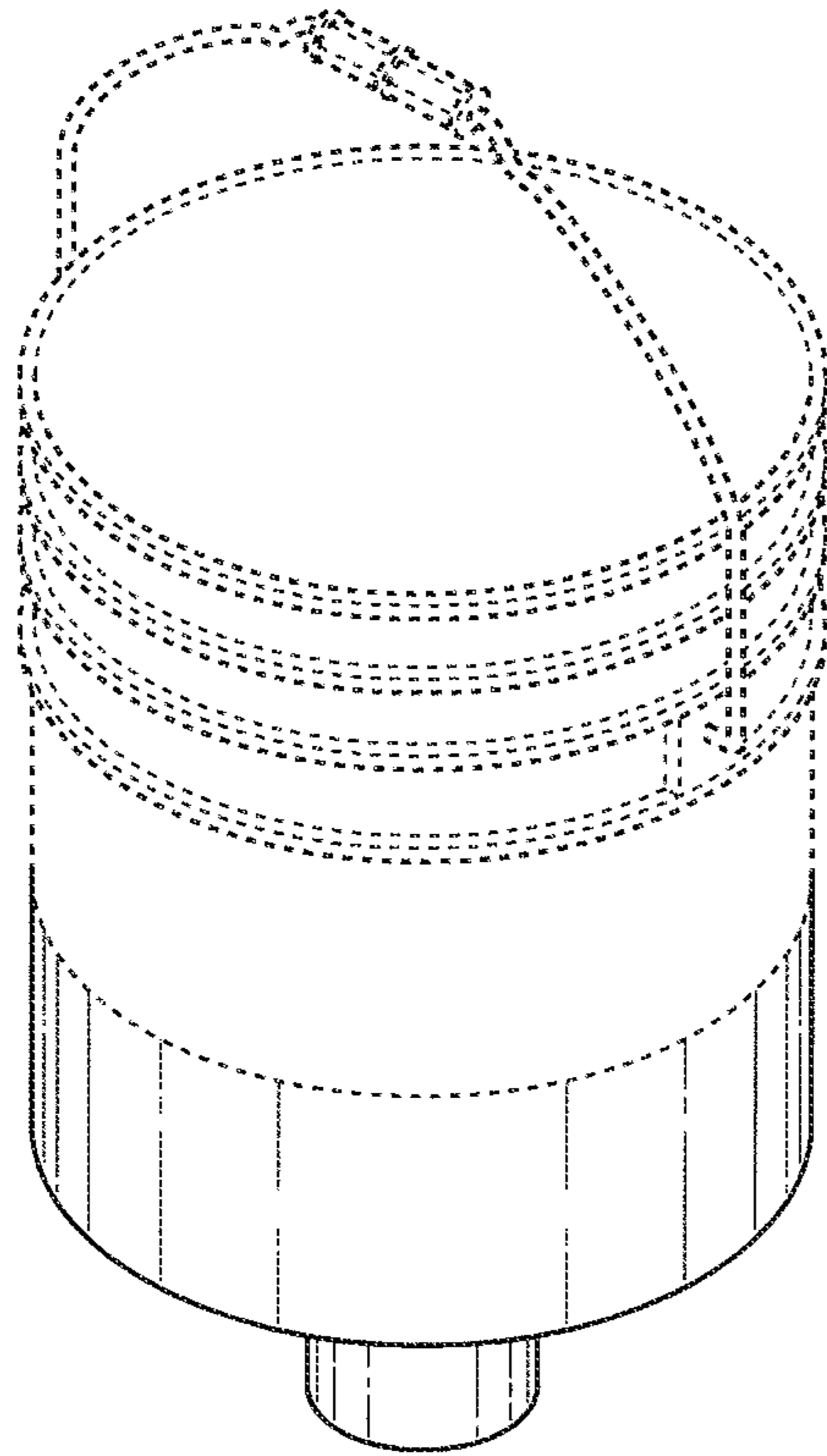
U.S. PATENT DOCUMENTS

D350,900	S	9/1994	Goetz	
D352,143	S	11/1994	Arshinoff	
5,513,770	A	5/1996	Seeley et al.	
D430,459	S	9/2000	Conti	
7,025,880	B2	4/2006	Lamb	
D545,519	S	6/2007	King	
D638,517	S *	5/2011	Greenway-Balnar	..... D23/209
D650,885	S *	12/2011	Bridges	..... D23/207
D650,886	S *	12/2011	Bridges	..... D23/207
D688,592	S *	8/2013	Placencia	..... D11/152
D757,889	S	5/2016	Meyer	
D770,009	S	10/2016	Hoover	
D776,813	S *	1/2017	Evans	..... D24/152
D783,209	S *	4/2017	Morris	..... D30/121
D803,349	S *	11/2017	Zou	..... D23/209
9,820,909	B2 *	11/2017	Enlow	..... A61H 9/0007
D806,486	S *	1/2018	Lopez	..... D7/700
D816,799	S *	5/2018	Bell	..... D23/209
D832,664	S *	11/2018	Degerland	..... D7/700
2011/0253641	A1 *	10/2011	Pearse	..... C02F 1/004 210/747.3
2014/0190883	A1 *	7/2014	Handa	..... C02F 1/003 210/337
2018/0272256	A1 *	9/2018	Bell	..... B01D 29/27

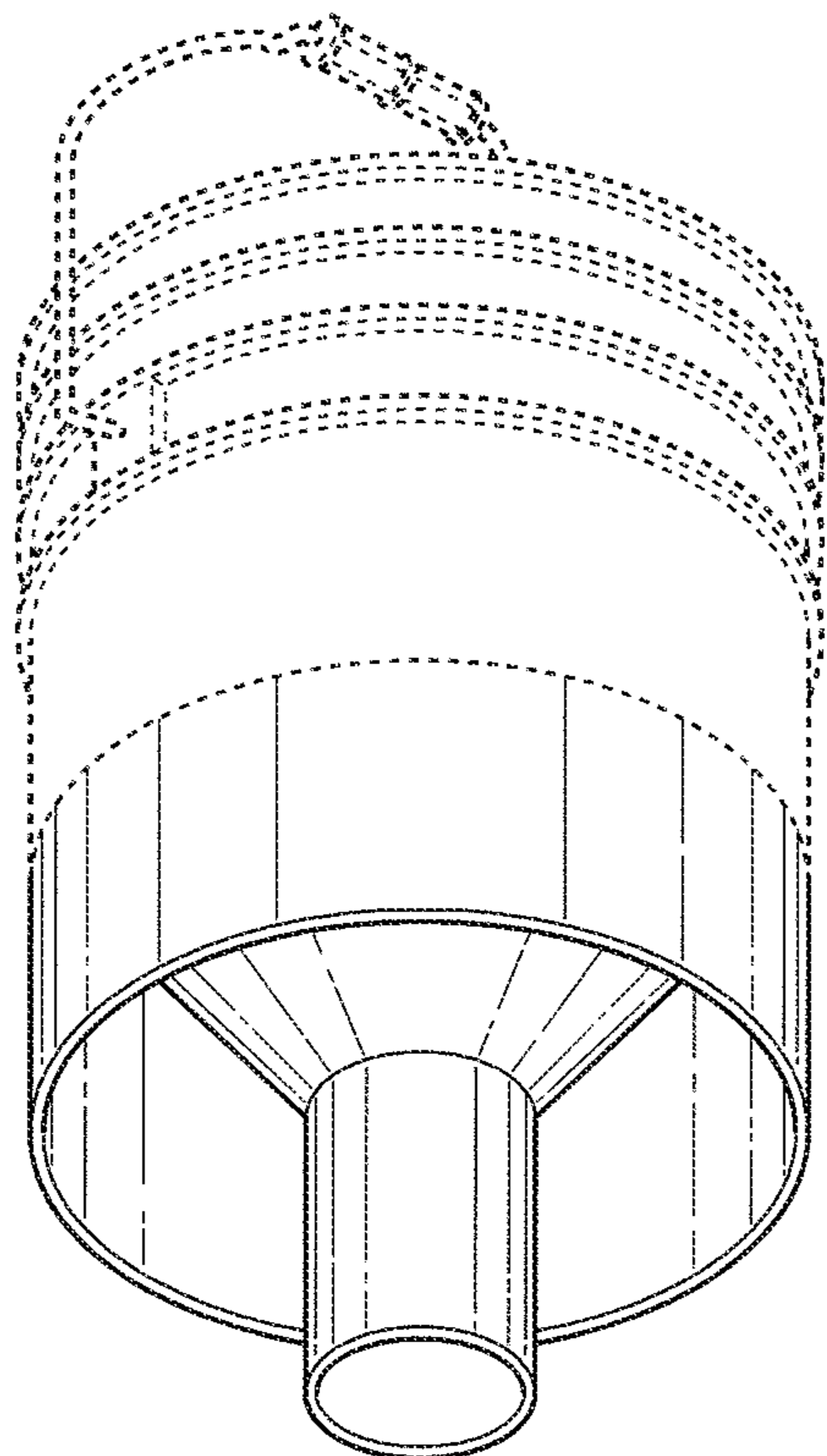
OTHER PUBLICATIONS

Blumat Water Reservoir [Aug. 26, 2019] found online [Aug. 26, 2019]—[https://www.amazon.com/Blumat-Water-Reservoir-Bulkhead-Fittings/dp/B01N9RDYZA/ref=asc\\_df\\_B01N9RDYZA/?tag=hyprod-20&linkCode=df0&hvadid=216531775325&hvpos=1o7&hvnetw=g&hvrnd=17857148945492771029&hvpone=&hvptwo=&hvqmt=&hvdev=c&hvdvcmdl=&hvlocint=&hvloc.\\*](https://www.amazon.com/Blumat-Water-Reservoir-Bulkhead-Fittings/dp/B01N9RDYZA/ref=asc_df_B01N9RDYZA/?tag=hyprod-20&linkCode=df0&hvadid=216531775325&hvpos=1o7&hvnetw=g&hvrnd=17857148945492771029&hvpone=&hvptwo=&hvqmt=&hvdev=c&hvdvcmdl=&hvlocint=&hvloc.*)

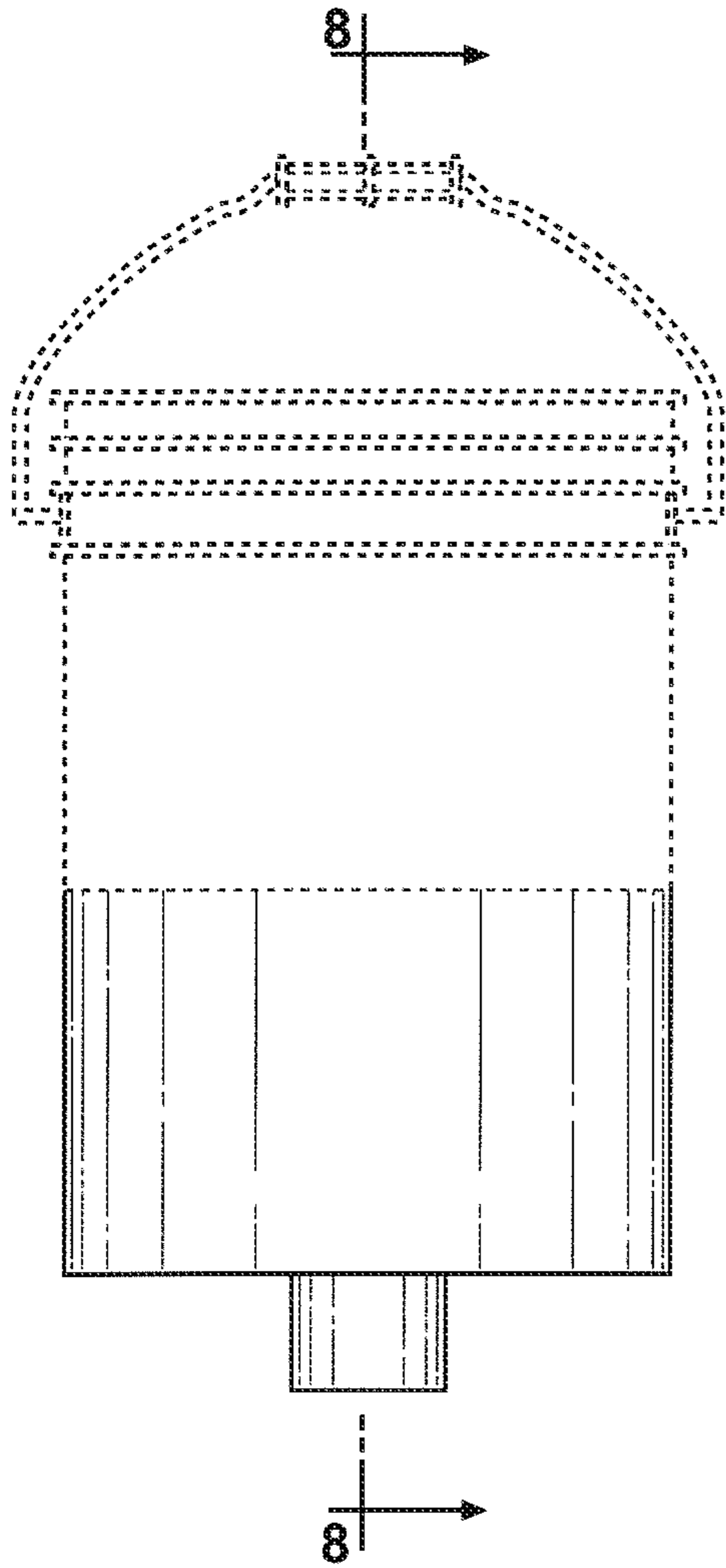
\* cited by examiner



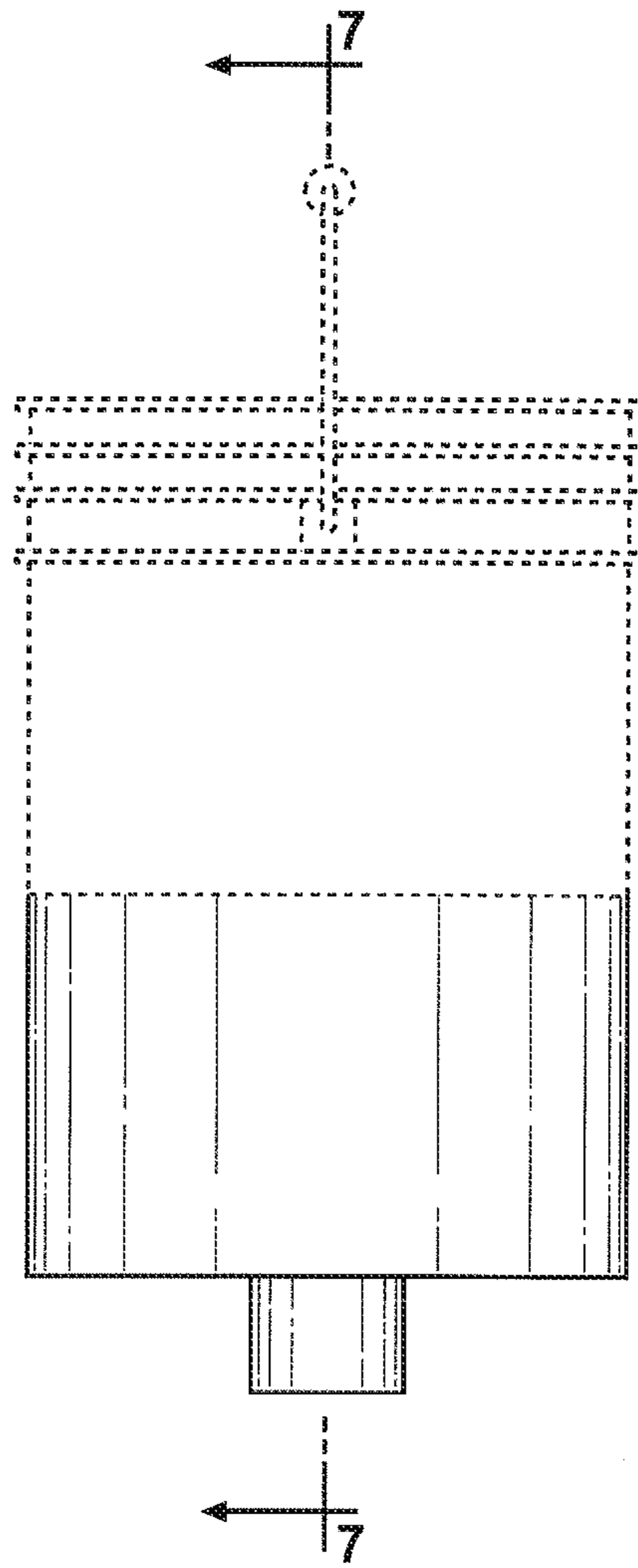
**FIG. 1**



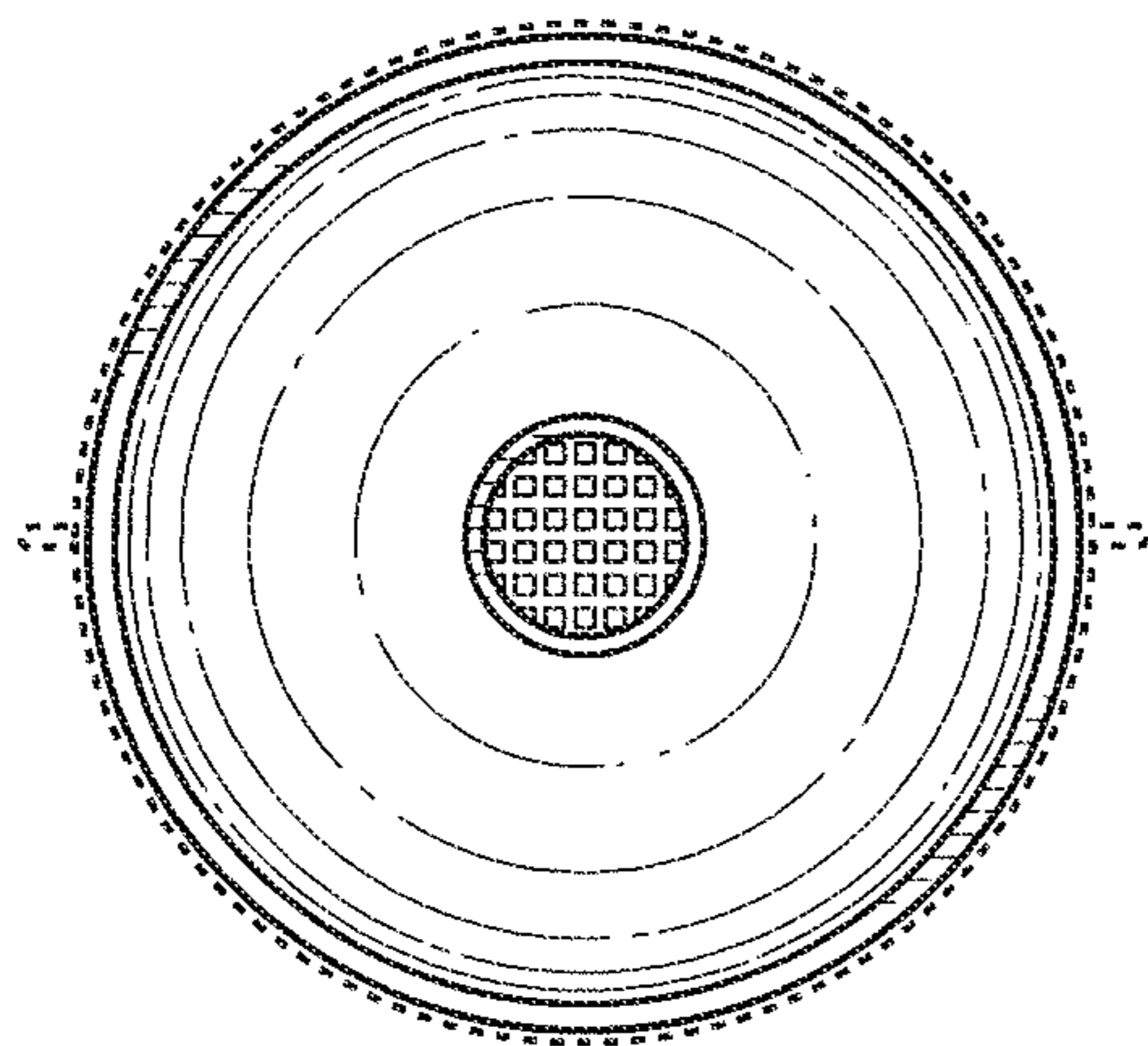
**FIG. 2**



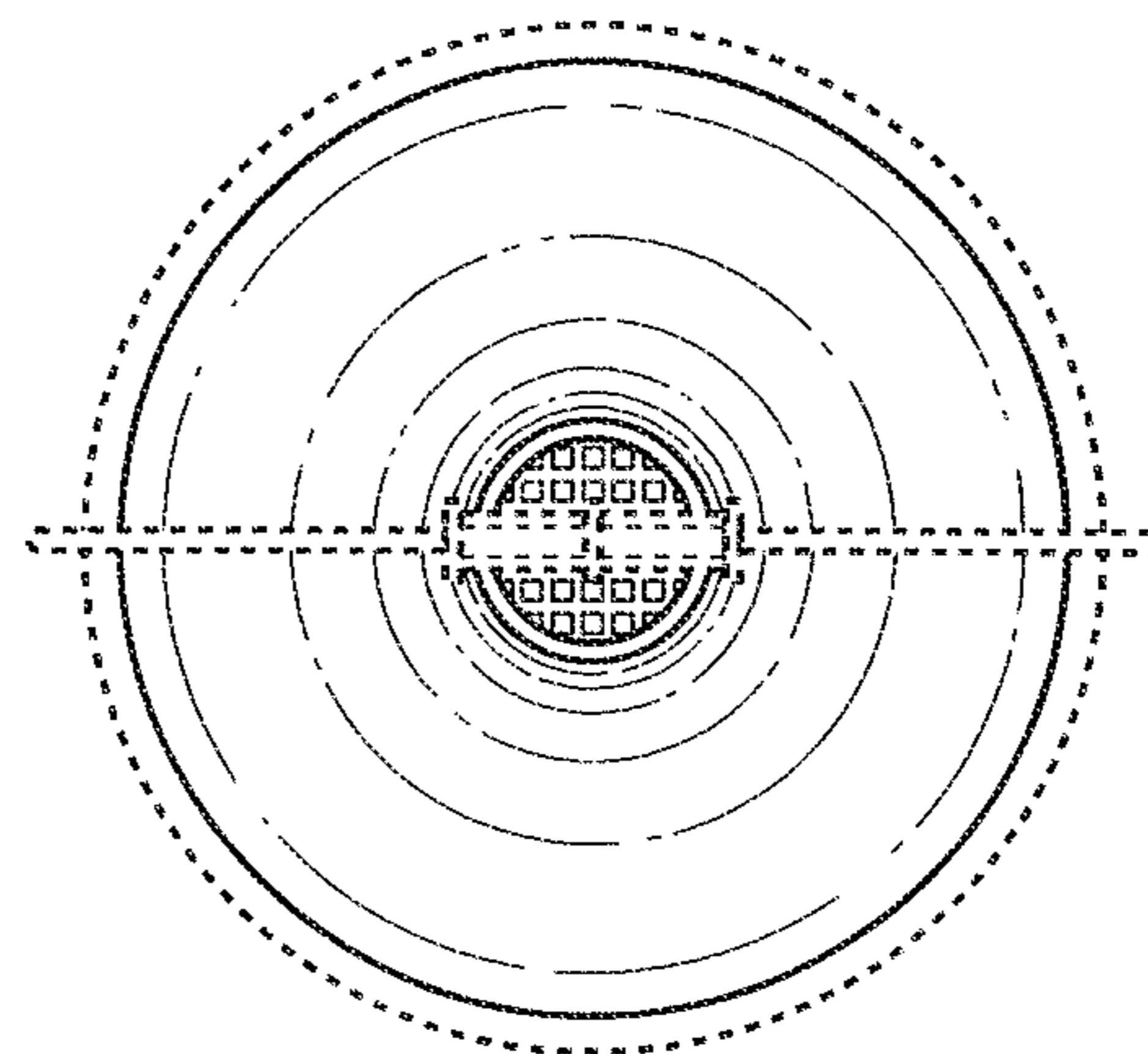
**FIG. 3**



**FIG. 4**



**FIG. 5**



**FIG. 6**

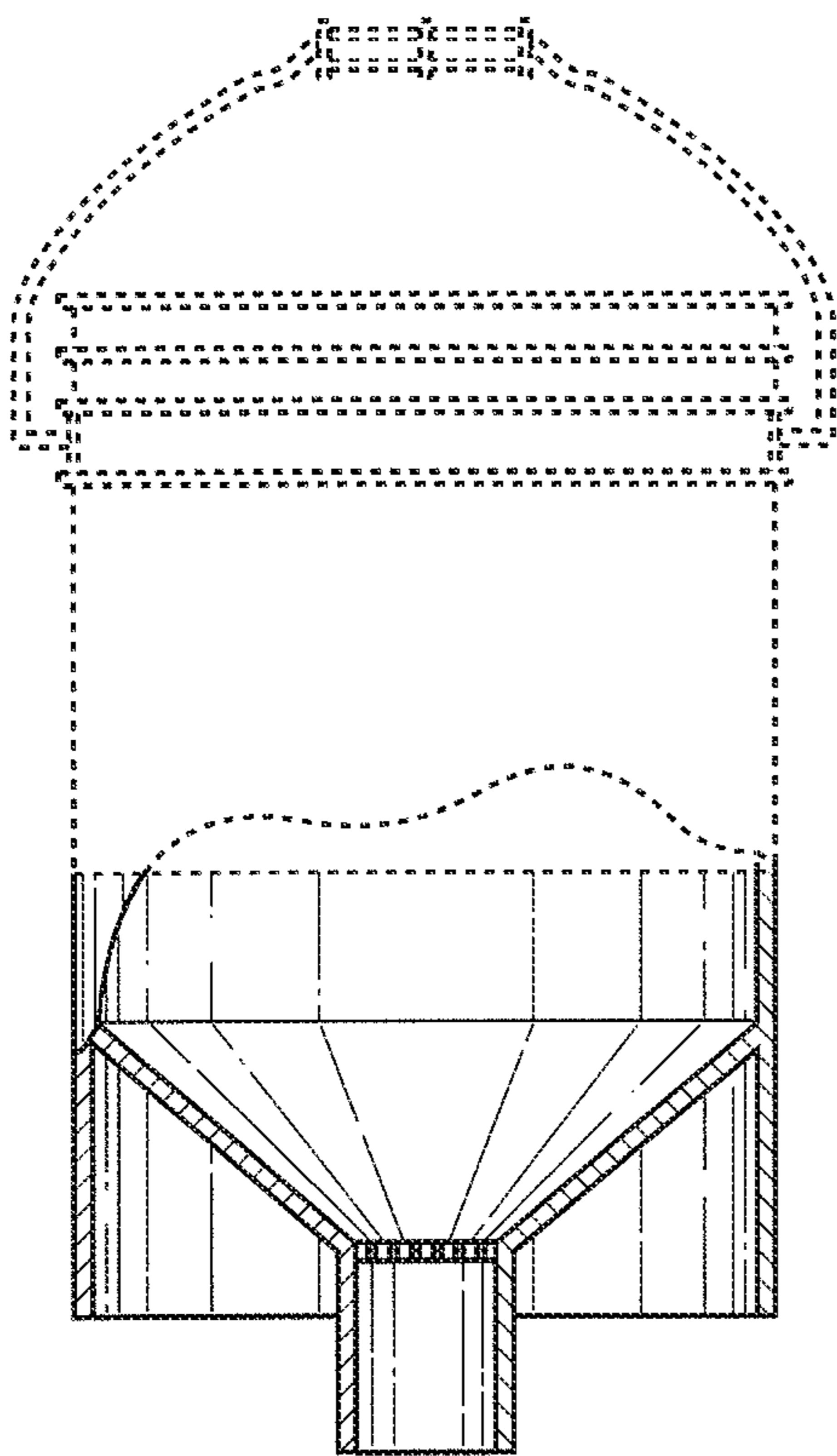


FIG. 7

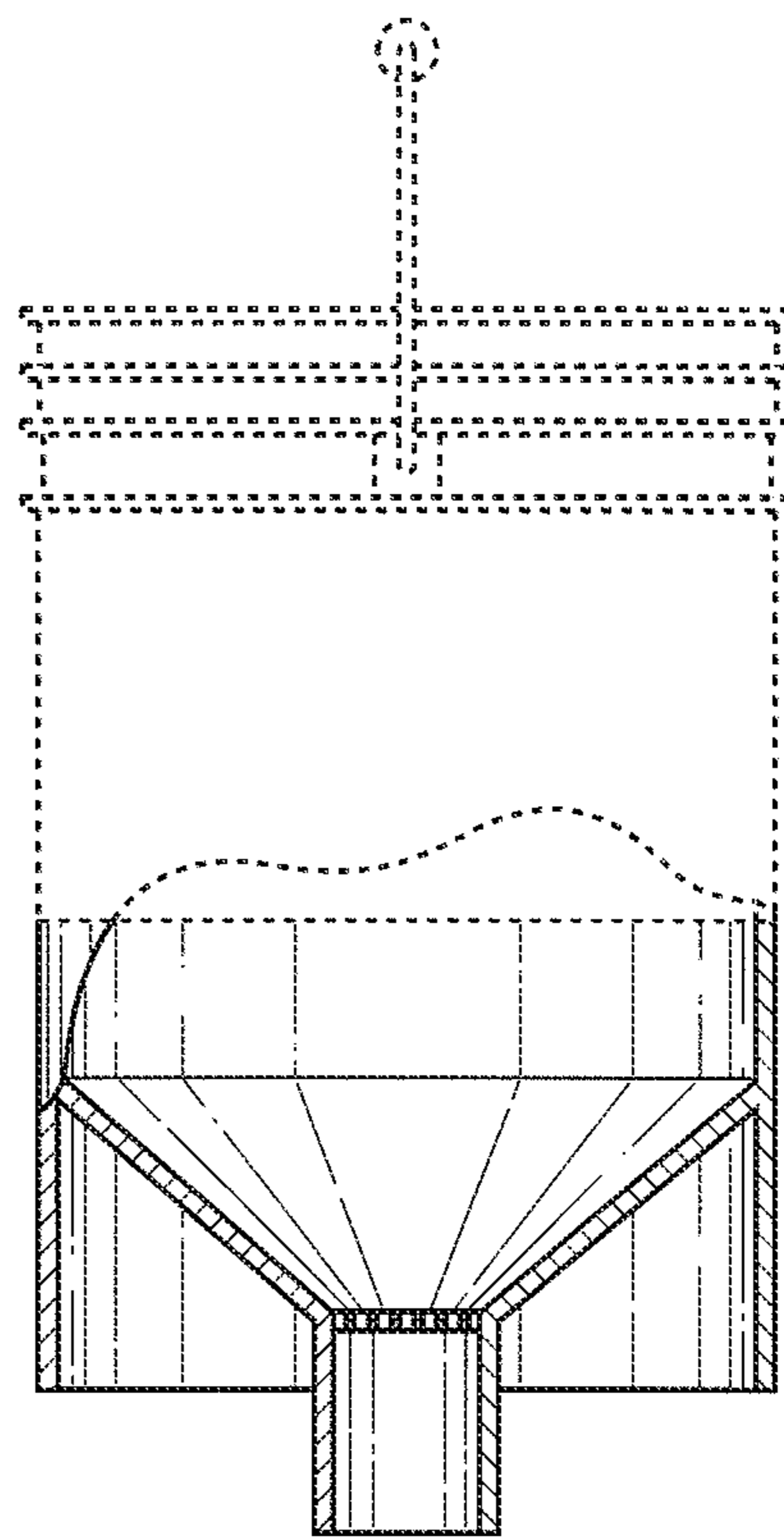


FIG. 8