



US00D880652S

(12) **United States Design Patent**
Kepner

(10) **Patent No.:** **US D880,652 S**

(45) **Date of Patent:** **** Apr. 7, 2020**

(54) **WATER-TREATMENT DEVICE**

(71) Applicant: **K2 Concepts Incorporated**, Lancaster,
PA (US)

(72) Inventor: **Bryan Kepner**, Lancaster, PA (US)

(**) Term: **15 Years**

(21) Appl. No.: **29/661,087**

(22) Filed: **Aug. 24, 2018**

(51) **LOC (12) Cl.** **23-01**

(52) **U.S. Cl.**
USPC **D23/207**

(58) **Field of Classification Search**
USPC D23/200, 207, 208, 209; 210/87, 232,
210/238, 244, 282, 747.3, 767; D7/700;
D32/53; D24/162, 132; 4/223, 225.1,
4/227.1, 231
CPC .. B01D 35/143; B01D 35/30; B01D 19/0031;
B01D 29/90; B01D 29/27; B01D 29/56;
C02F 1/003; C02F 1/283; C02F 1/60
See application file for complete search history.

(56) **References Cited**

U.S. PATENT DOCUMENTS

D93,591 S	*	10/1934	Wewetzer	D28/80
D119,967 S	*	4/1940	Siread	D99/38
D173,614 S	*	12/1954	Gemora	D28/80
D255,096 S	*	5/1980	Etelson	D9/666
D259,356 S	*	5/1981	Ferretti	D21/816
D281,042 S	*	10/1985	Antoni	D7/539
D298,065 S	*	10/1988	Bussell	D28/8.2
D303,724 S	*	9/1989	Horng	D28/80
D308,021 S	*	5/1990	Natori	D9/666
D464,525 S	*	10/2002	Pai	D7/337
D628,766 S	*	12/2010	Zubanas	D1/128
D675,708 S	*	2/2013	Smiedt	D23/209

D779,032 S	*	2/2017	Kepner	D23/207
D779,033 S	*	2/2017	Kepner	D23/207
D834,747 S	*	11/2018	Wu	D28/7

* cited by examiner

Primary Examiner — Lakiya G Rogers

Assistant Examiner — John A Voytek

(74) *Attorney, Agent, or Firm* — Withers & Keys, LLC

(57) **CLAIM**

The ornamental design for a water-treatment device, as shown and described.

DESCRIPTION

FIG. 1 is a perspective view of a water-treatment device showing my new design as viewed from a front top side of the water-treatment device;

FIG. 2 is a perspective view of the water-treatment device shown in FIG. 1 as viewed from a rear bottom side of the water-treatment device;

FIG. 3 is a top view of the water-treatment device shown in FIG. 1;

FIG. 4 is a bottom view of the water-treatment device shown in FIG. 1;

FIG. 5 is a left-side view of the water-treatment device shown in FIG. 3;

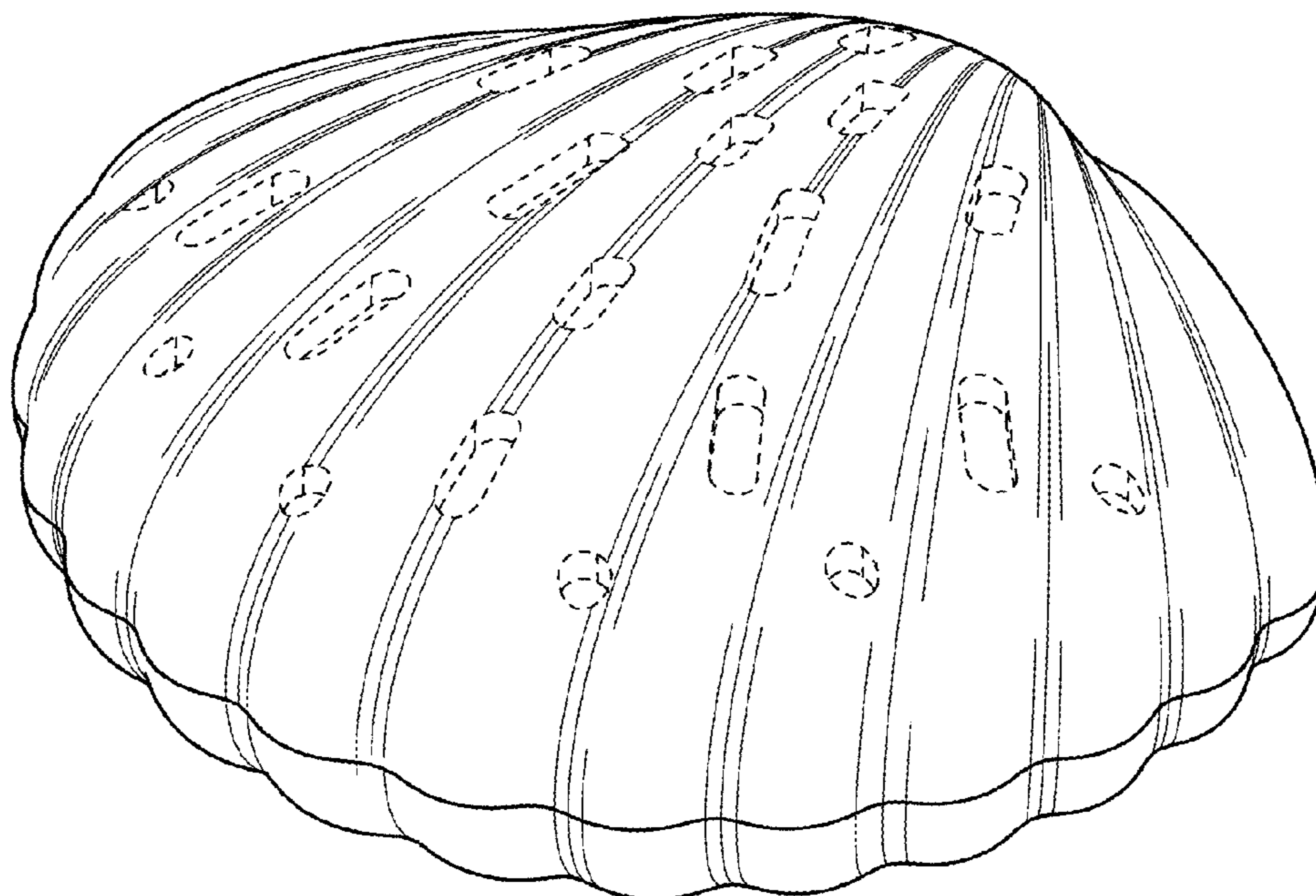
FIG. 6 is a right-side view of the water-treatment device shown in FIG. 3;

FIG. 7 is a frontal view of the water-treatment device shown in FIG. 3; and,

FIG. 8 is a rear view of the water-treatment device shown in FIG. 3.

The broken lines shown in the drawings illustrate portions of the water-treatment device that forms no part of the claimed design.

1 Claim, 8 Drawing Sheets



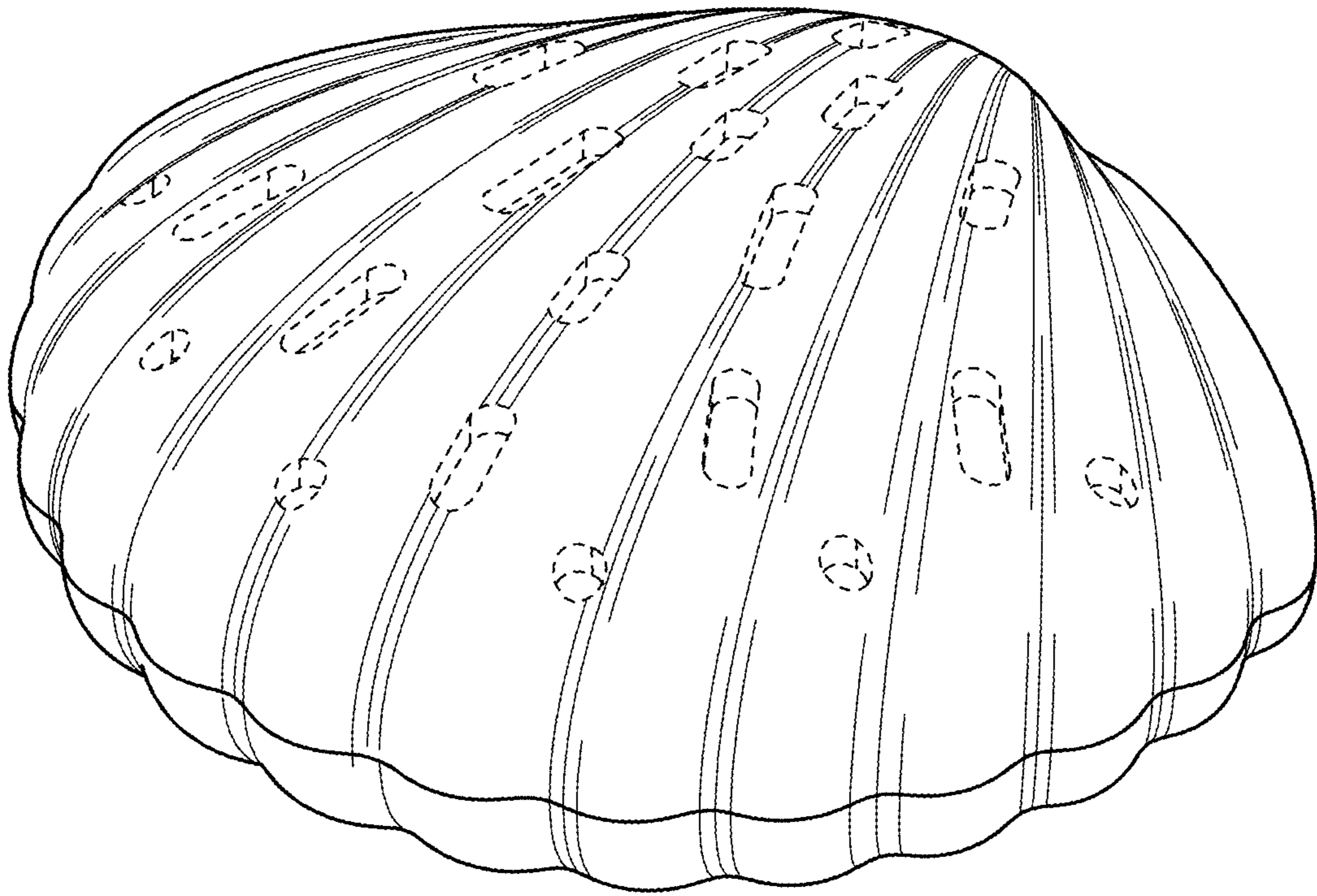


Fig. 1

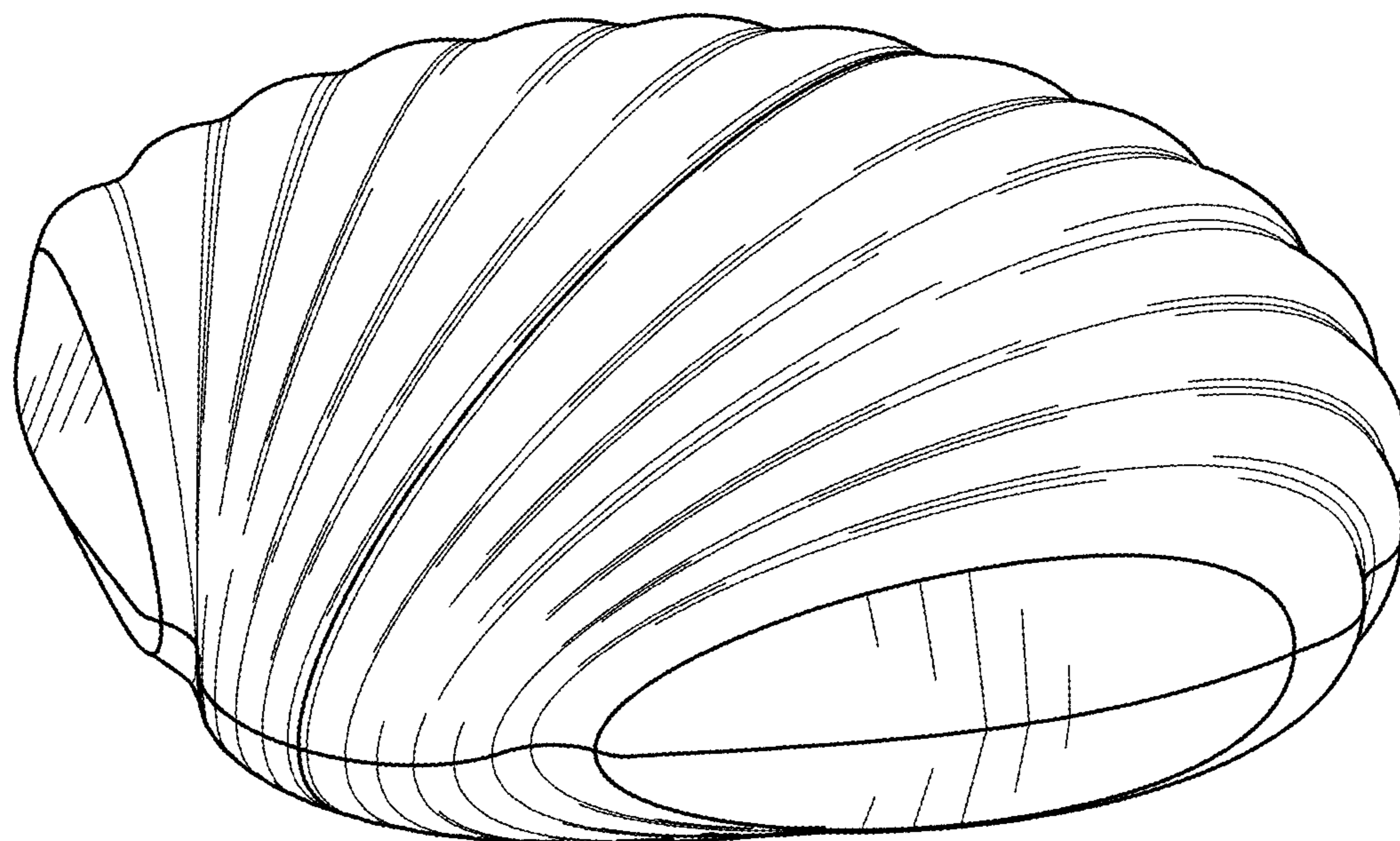


Fig. 2

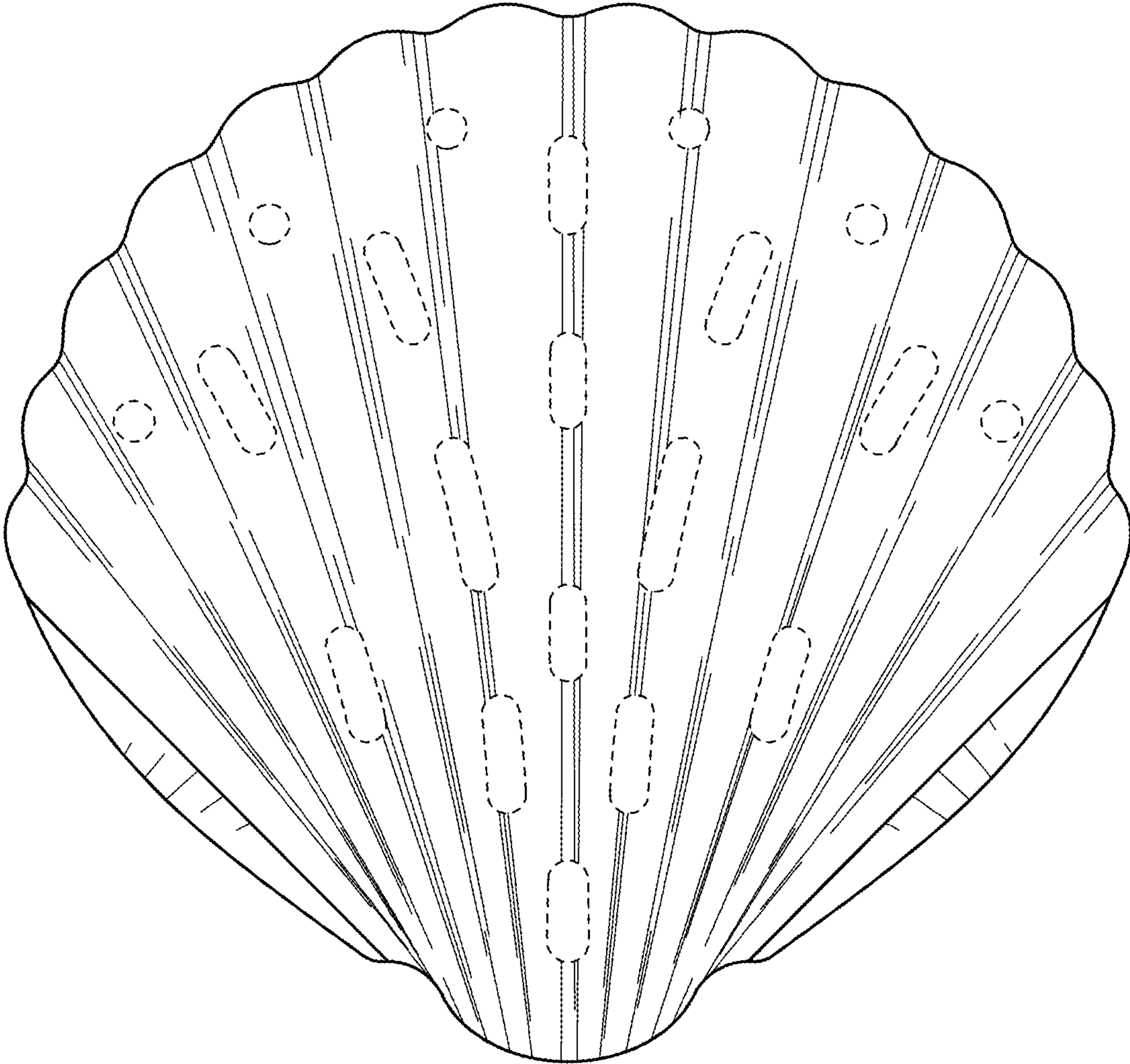


Fig. 3

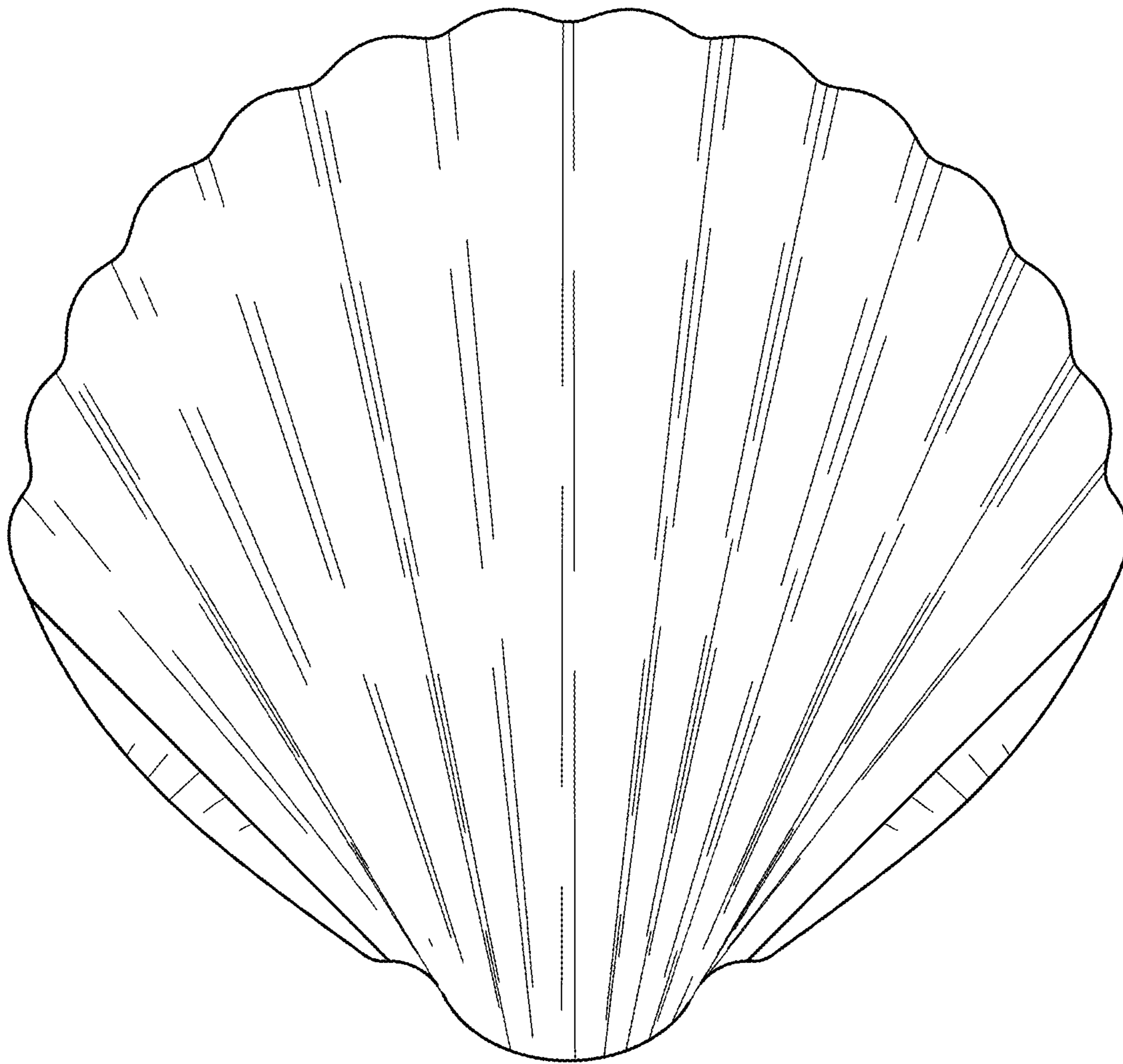


Fig. 4

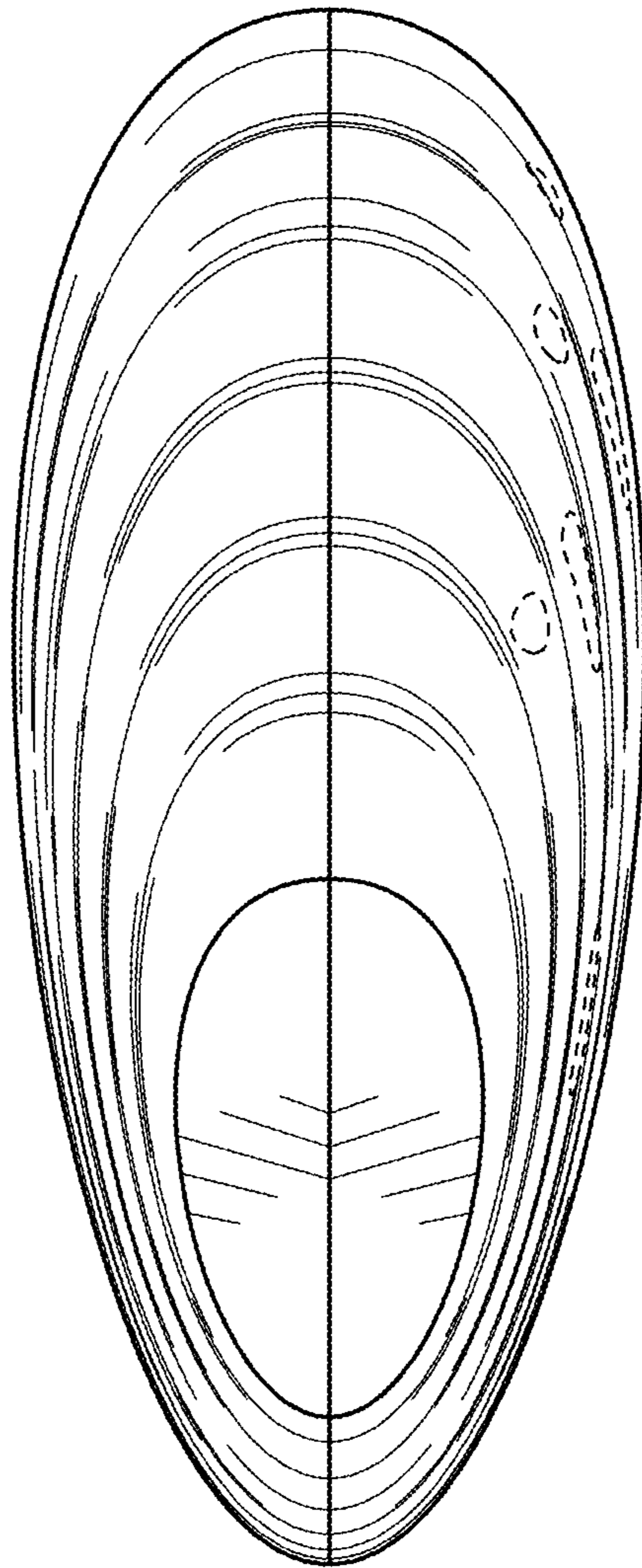


Fig. 5

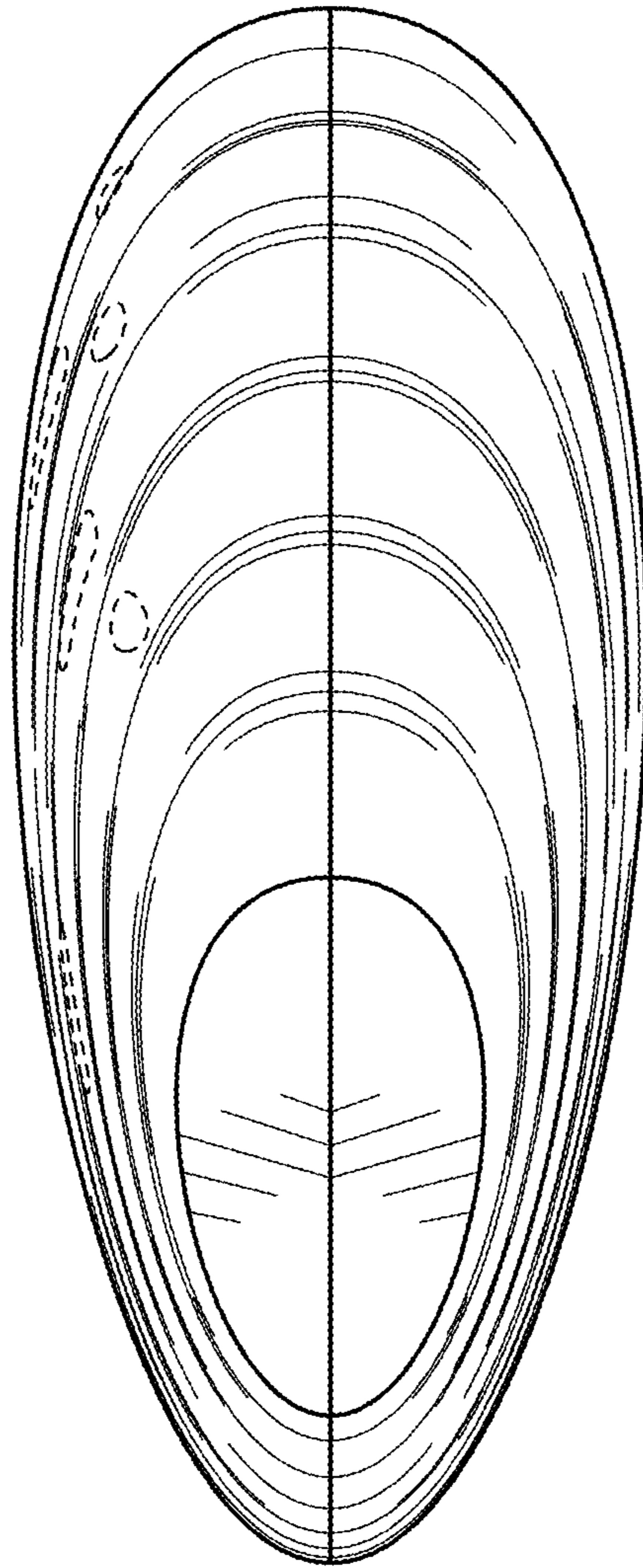


Fig. 6

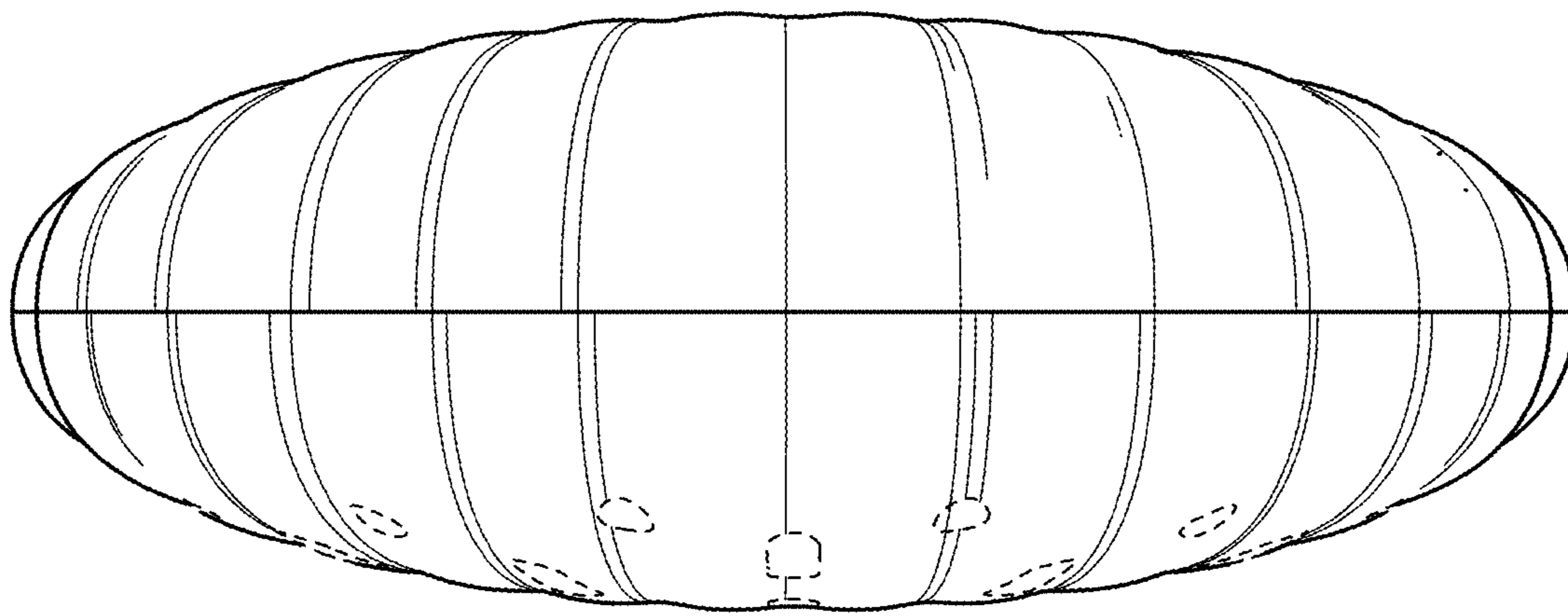


Fig. 7

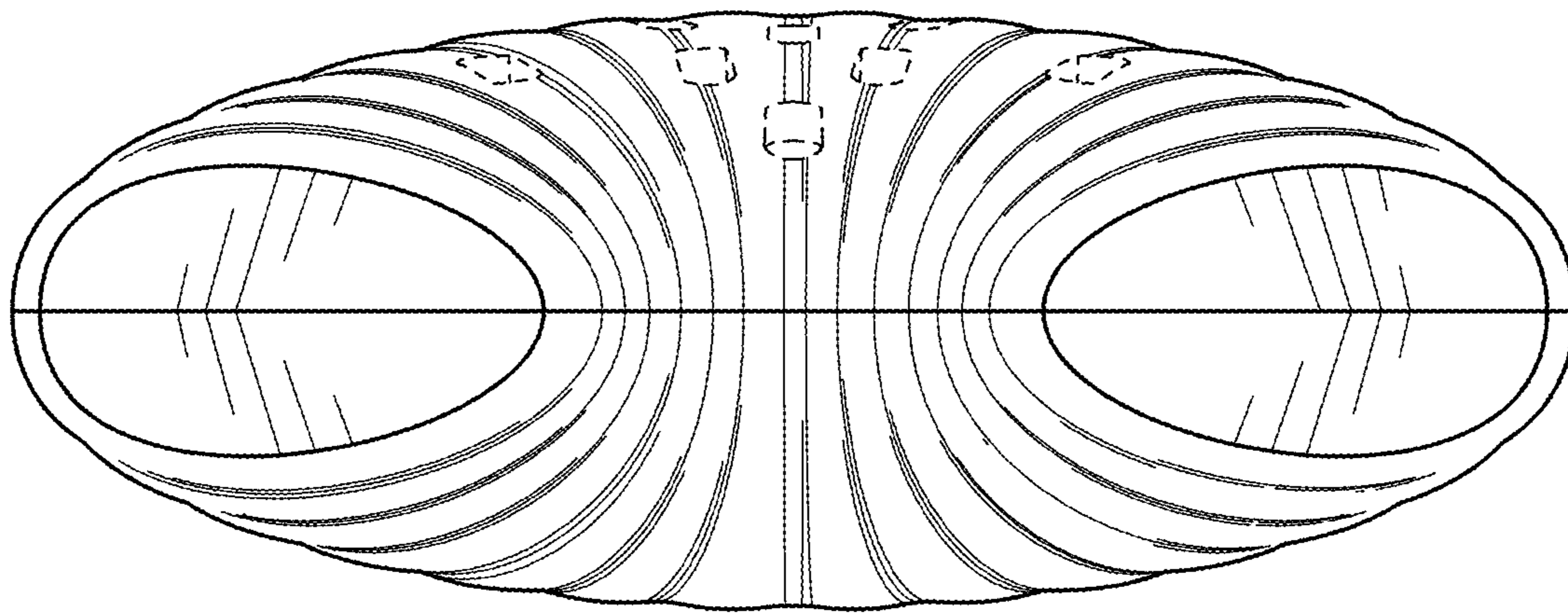


Fig. 8