



US00D880651S

(12) **United States Design Patent**
Bell

(10) **Patent No.:** **US D880,651 S**

(45) **Date of Patent:** **** Apr. 7, 2020**

(54) **FISHING BOBBER**

(71) Applicant: **John Bell**, Mount Pleasant, SC (US)

(72) Inventor: **John Bell**, Mount Pleasant, SC (US)

(**) Term: **15 Years**

(21) Appl. No.: **29/681,278**

(22) Filed: **Feb. 23, 2019**

Related U.S. Application Data

(63) Continuation-in-part of application No. 15/252,215, filed on Aug. 31, 2016, now abandoned.

(51) **LOC (12) Cl.** **22-05**

(52) **U.S. Cl.**
USPC **D22/146**

(58) **Field of Classification Search**
USPC D22/145-146, 130, 132; 43/43.11, 44.88,
43/44.91, 44.96, 44.97, 44.81, 42.74,
43/42.11, 42.28
CPC A01K 85/00; A01K 85/01; A01K 93/00
See application file for complete search history.

(56) **References Cited**

U.S. PATENT DOCUMENTS

D243,689 S * 3/1977 Price D22/130
D357,864 S * 5/1995 Rusnock D9/500

D414,238 S * 9/1999 Kupperman D22/146
D441,046 S * 4/2001 Viano D22/145
D552,707 S * 10/2007 Taft D22/146
D745,946 S * 12/2015 Herlitzka D22/146

OTHER PUBLICATIONS

Lot of 8 New Miller Lite Beer Can Fishing Bobbers, Ebay.com, 1995-2020.*

* cited by examiner

Primary Examiner — Catherine R Oliver-Garcia
(74) *Attorney, Agent, or Firm* — Gregory Finch; Finch Paolino, LLC

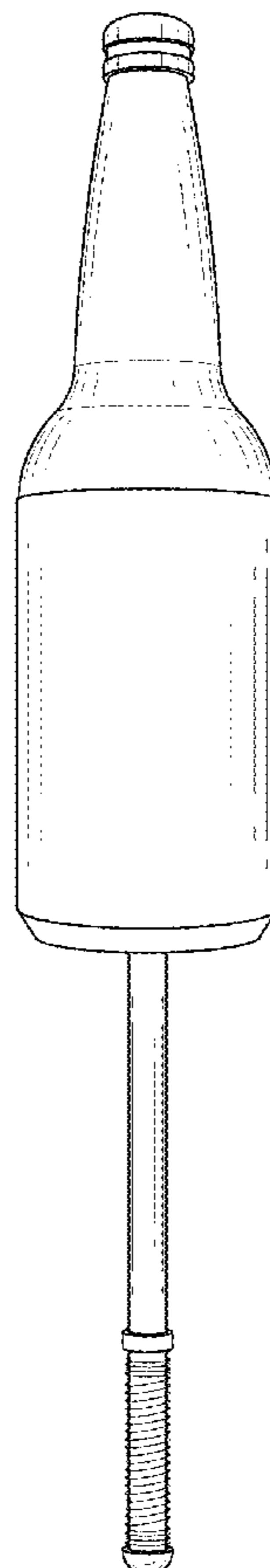
(57) **CLAIM**

The ornamental design for a fishing bobber, as shown and described.

DESCRIPTION

FIG. 1 is an isometric view of the claimed fishing bobber, embodying the present design;
FIG. 2 is a right side view thereof;
FIG. 3 is a left side view thereof;
FIG. 4 is a top plan view thereof; and,
FIG. 5 is a bottom plan view thereof.

1 Claim, 5 Drawing Sheets



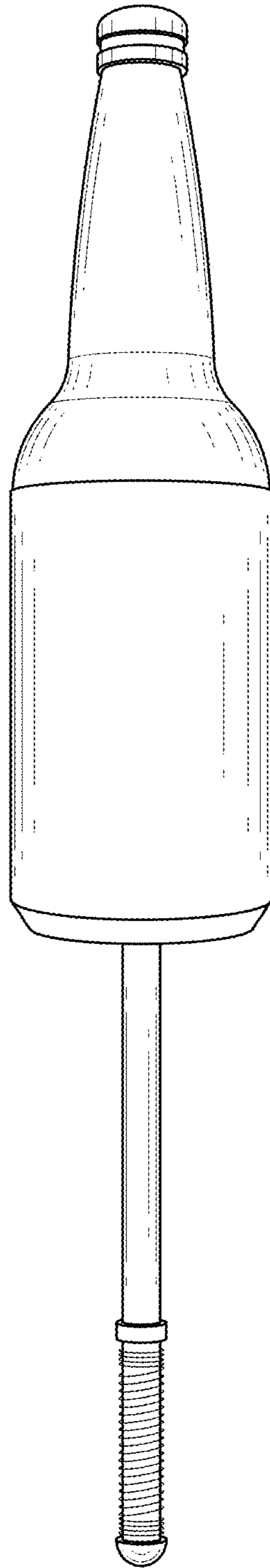


FIG. 1

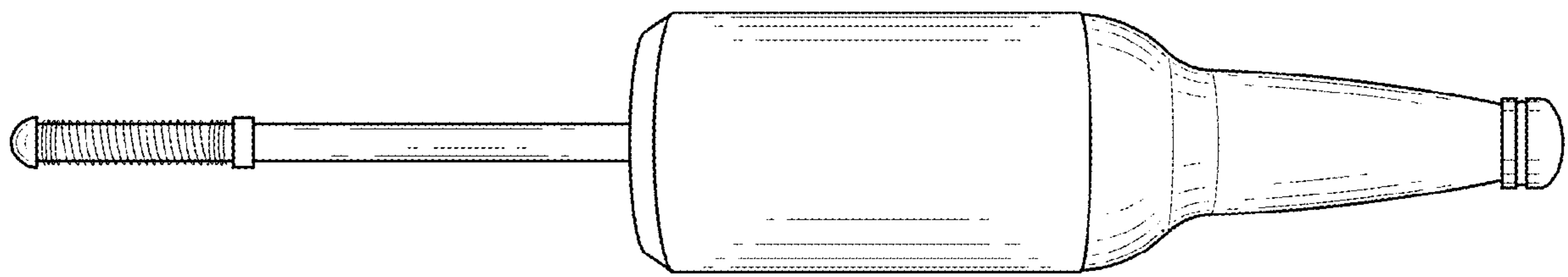


FIG. 2

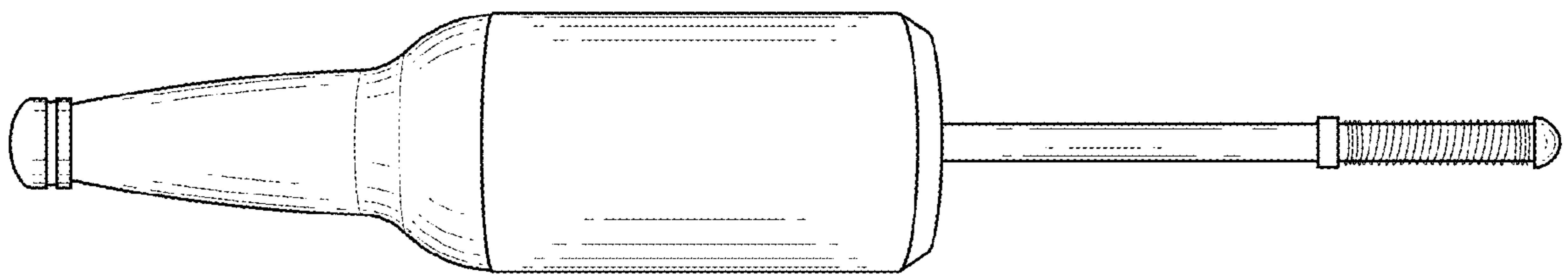


FIG. 3

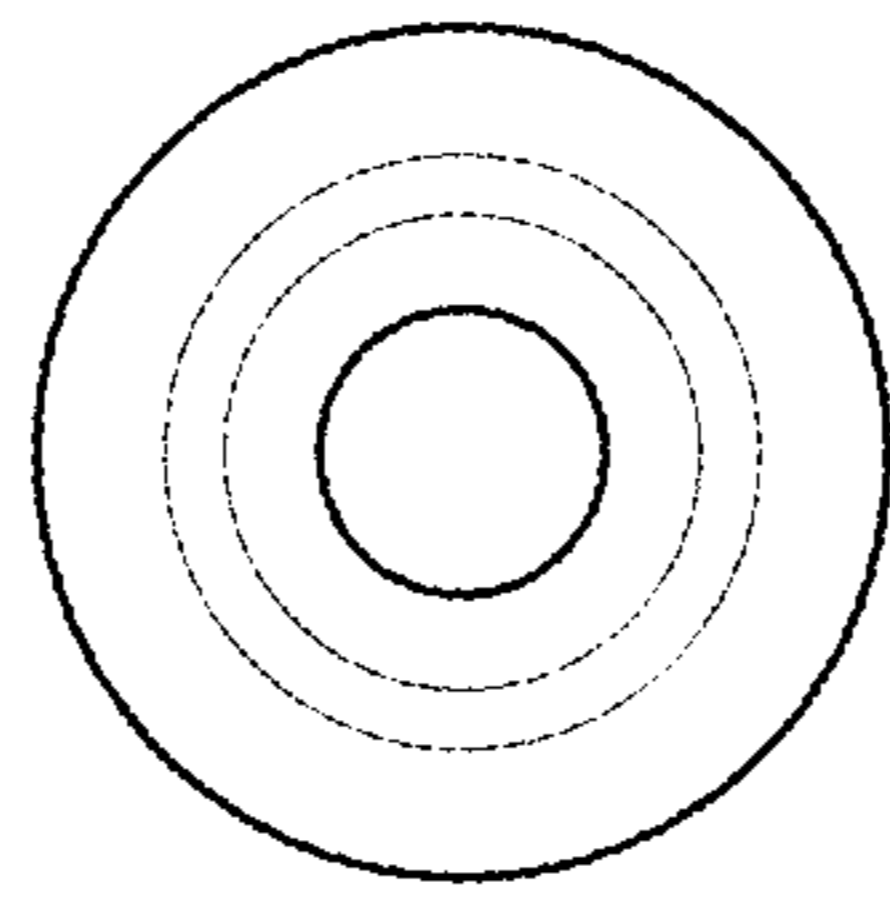


FIG. 4

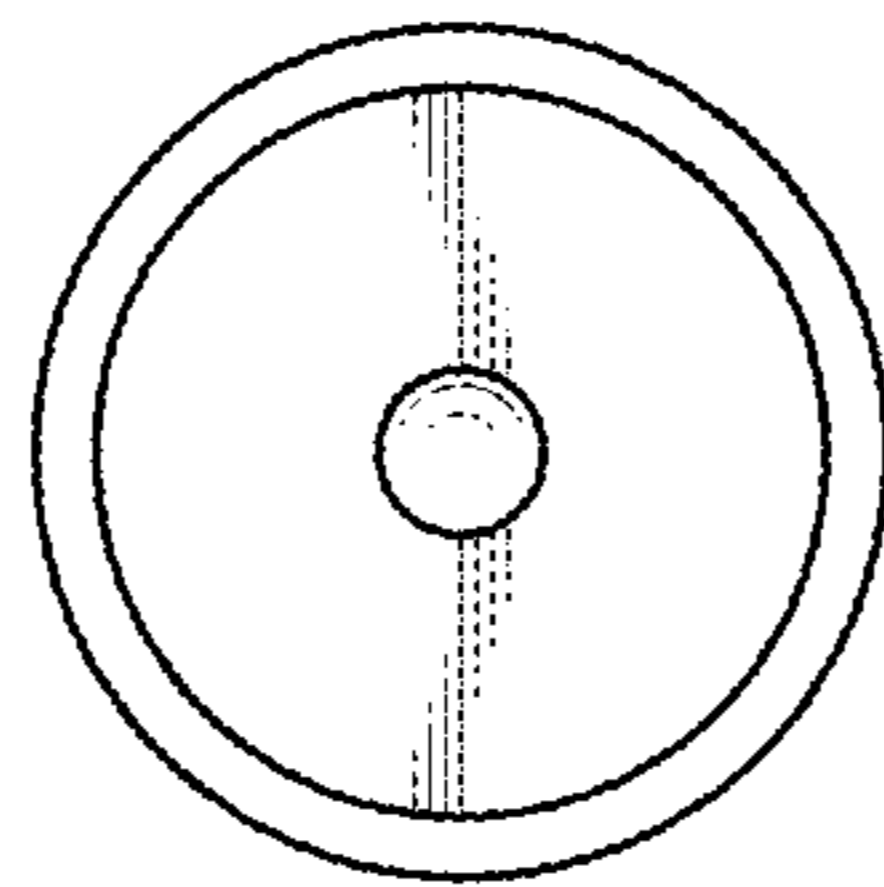


FIG. 5