



US00D880647S

(12) **United States Design Patent**
Gu

(10) **Patent No.:** **US D880,647 S**

(45) **Date of Patent:** **** Apr. 7, 2020**

(54) **ELECTRONIC PEST REPELLER**

(71) Applicant: **Tijun Gu**, Shenzhen (CN)

(72) Inventor: **Tijun Gu**, Shenzhen (CN)

(73) Assignee: **Shenzhen Fascent Technology Co., Ltd.**, Shenzhen (CN)

(**) Term: **15 Years**

(21) Appl. No.: **29/676,635**

(22) Filed: **Jan. 13, 2019**

(51) **LOC (12) Cl.** **22-06**

(52) **U.S. Cl.**
USPC **D22/120**

(58) **Field of Classification Search**
USPC D22/119–120, 123–124; 43/111–113,
43/124, 126, 129, 131, 132.1, 144;
D23/366–369

CPC A01M 1/04; A01M 1/08; A01M 1/106;
A01M 1/145; A01M 1/026; A01M
1/2011; A01M 29/00; A01M 29/12;
A01M 29/16; A01M 29/34; A01M 29/28;
A01M 31/008; A01M 2220/011; A01M
2200/012; A01N 25/201; A01N 37/44;
A01N 43/16; A01N 49/00

See application file for complete search history.

(56) **References Cited**

U.S. PATENT DOCUMENTS

D469,499 S *	1/2003	Levine	D22/120
D779,026 S *	2/2017	Hou	D22/120
D829,848 S *	10/2018	Gu	D22/120
D829,876 S *	10/2018	Arinsmier	D23/366
D831,781 S *	10/2018	Zhao	D22/120
D836,748 S *	12/2018	Gu	D22/120
D857,147 S *	8/2019	Gu	D22/120
D869,598 S *	12/2019	Gu	D22/120

* cited by examiner

Primary Examiner — Catherine R Oliver-Garcia

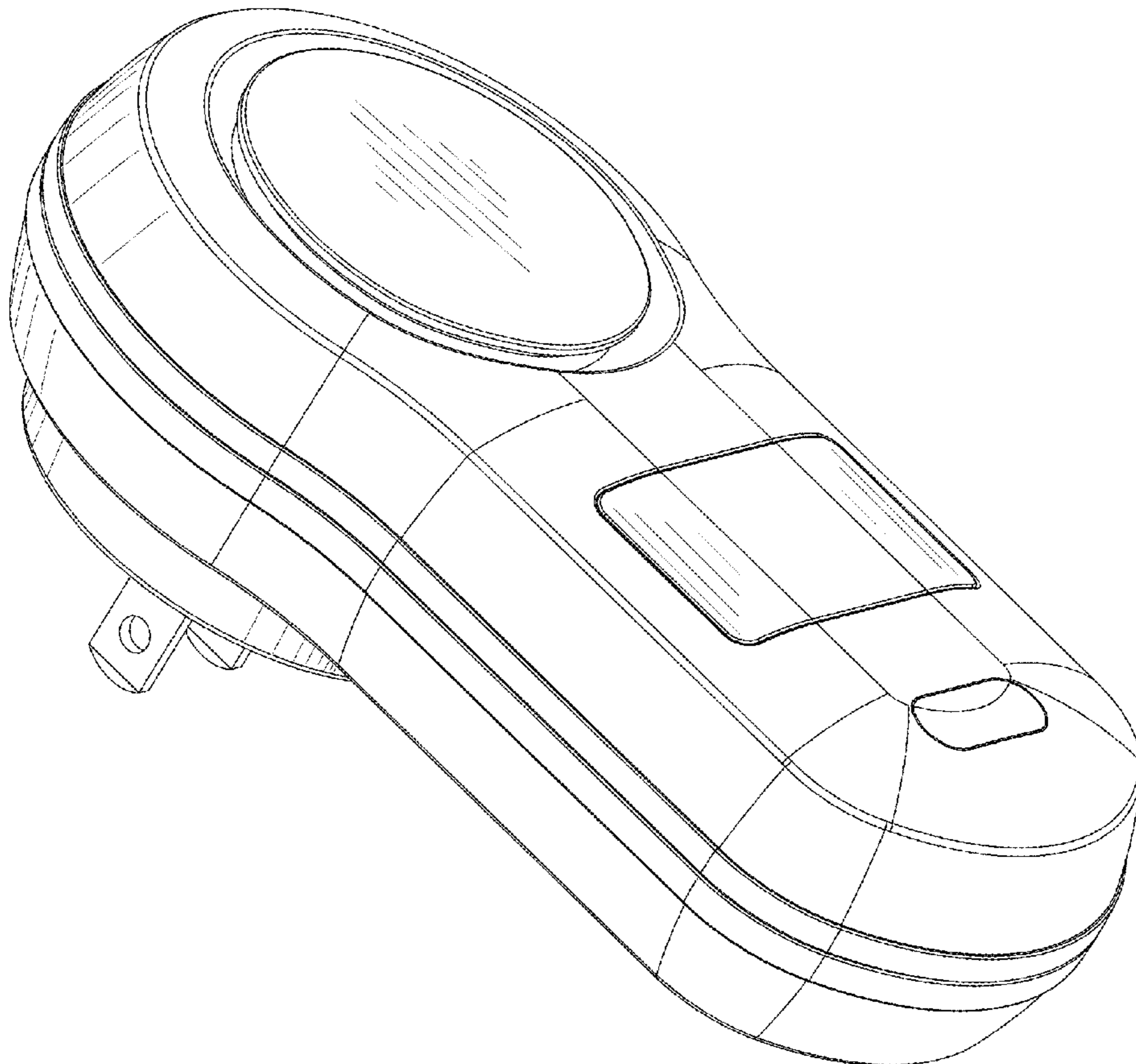
(57) **CLAIM**

The ornamental design for an electronic pest repeller, as shown and described.

DESCRIPTION

FIG. 1 is a front perspective view of the electronic pest repeller showing my new design;
FIG. 2 is a rear perspective view thereof;
FIG. 3 is a front elevational view thereof;
FIG. 4 is a rear elevational view thereof;
FIG. 5 is a left side elevational view thereof;
FIG. 6 is a right side elevational view thereof;
FIG. 7 is a top plan view thereof; and,
FIG. 8 is a bottom plan view thereof.

1 Claim, 7 Drawing Sheets



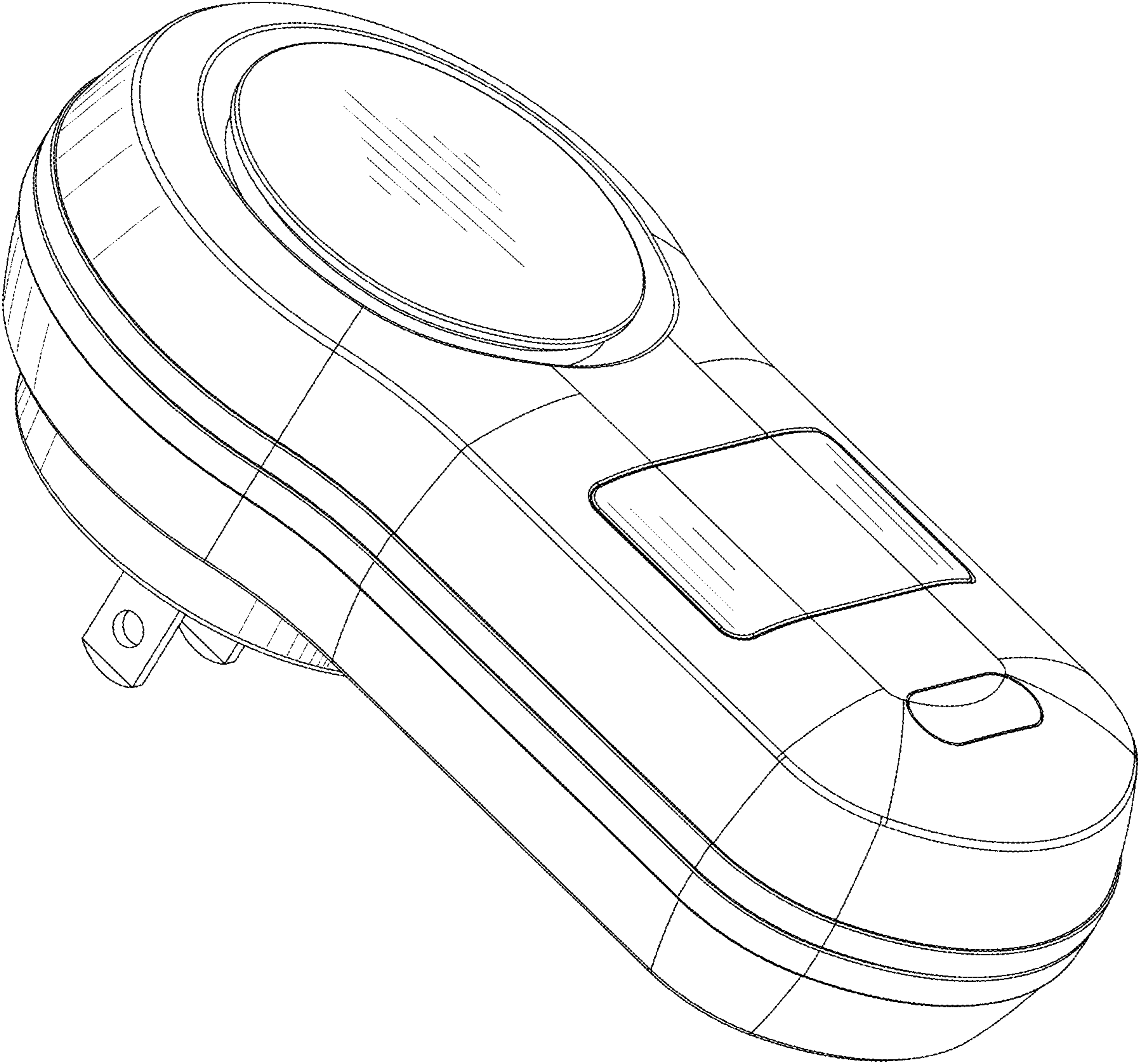


FIG.1

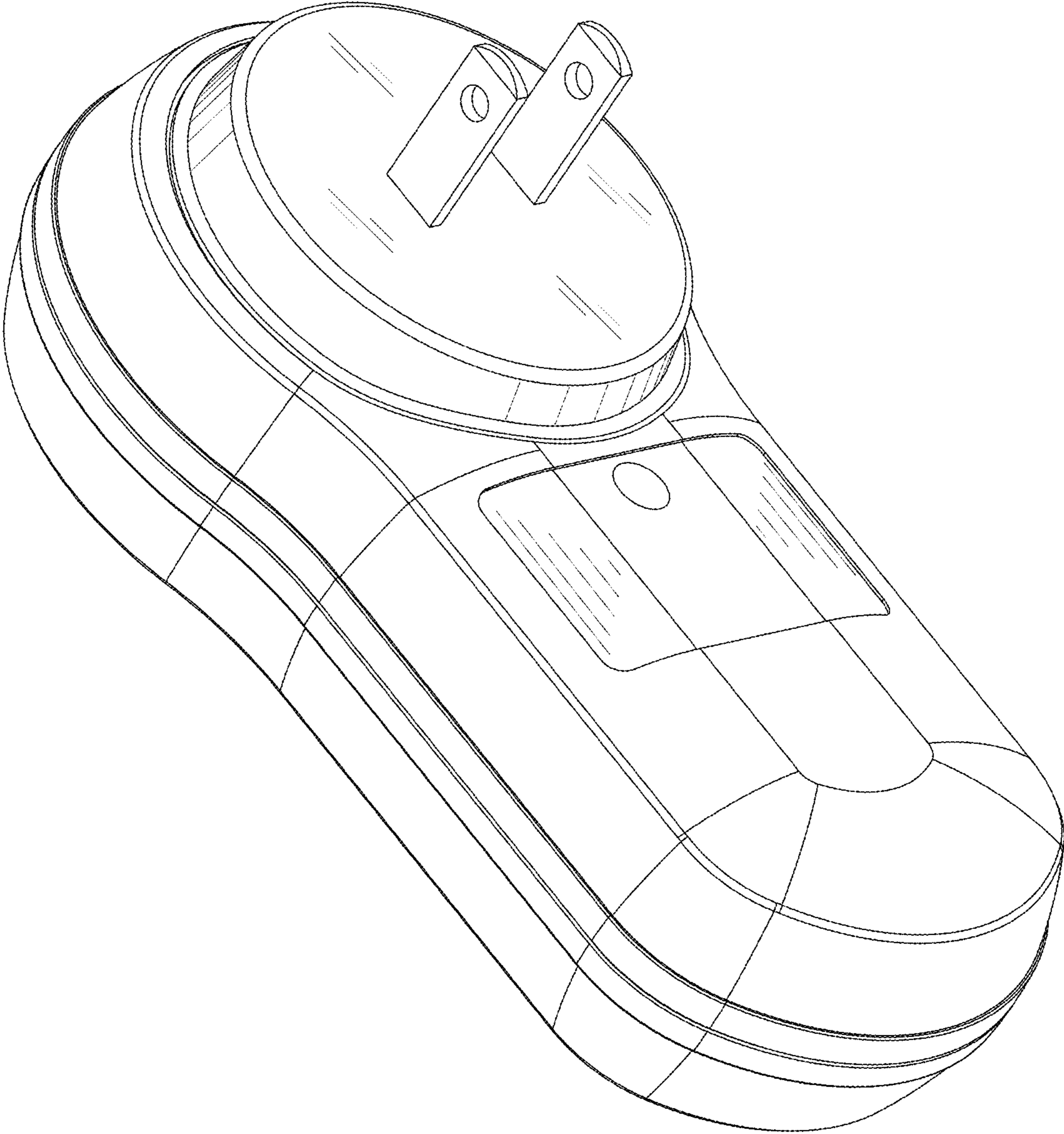


FIG.2

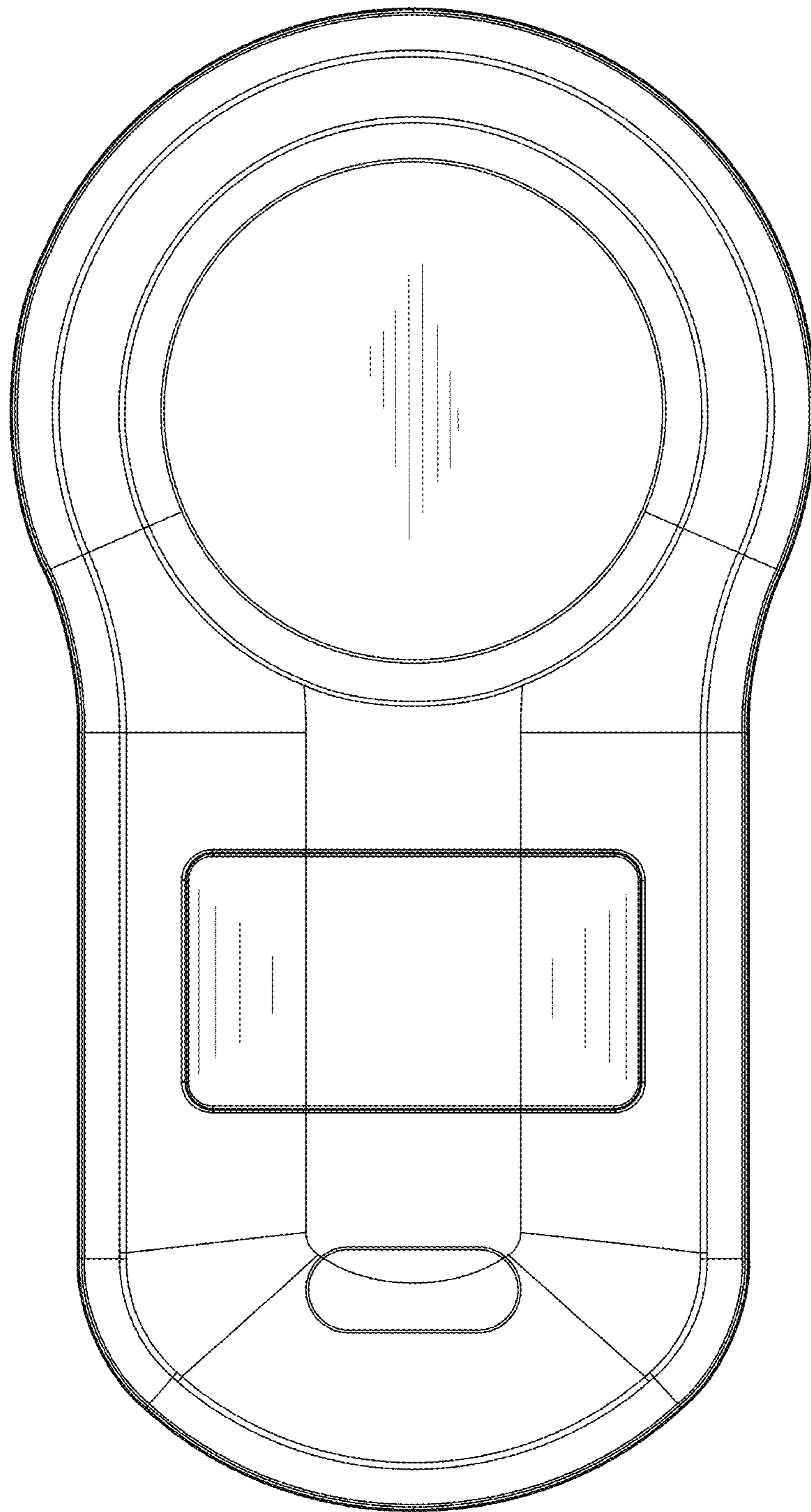


FIG.3

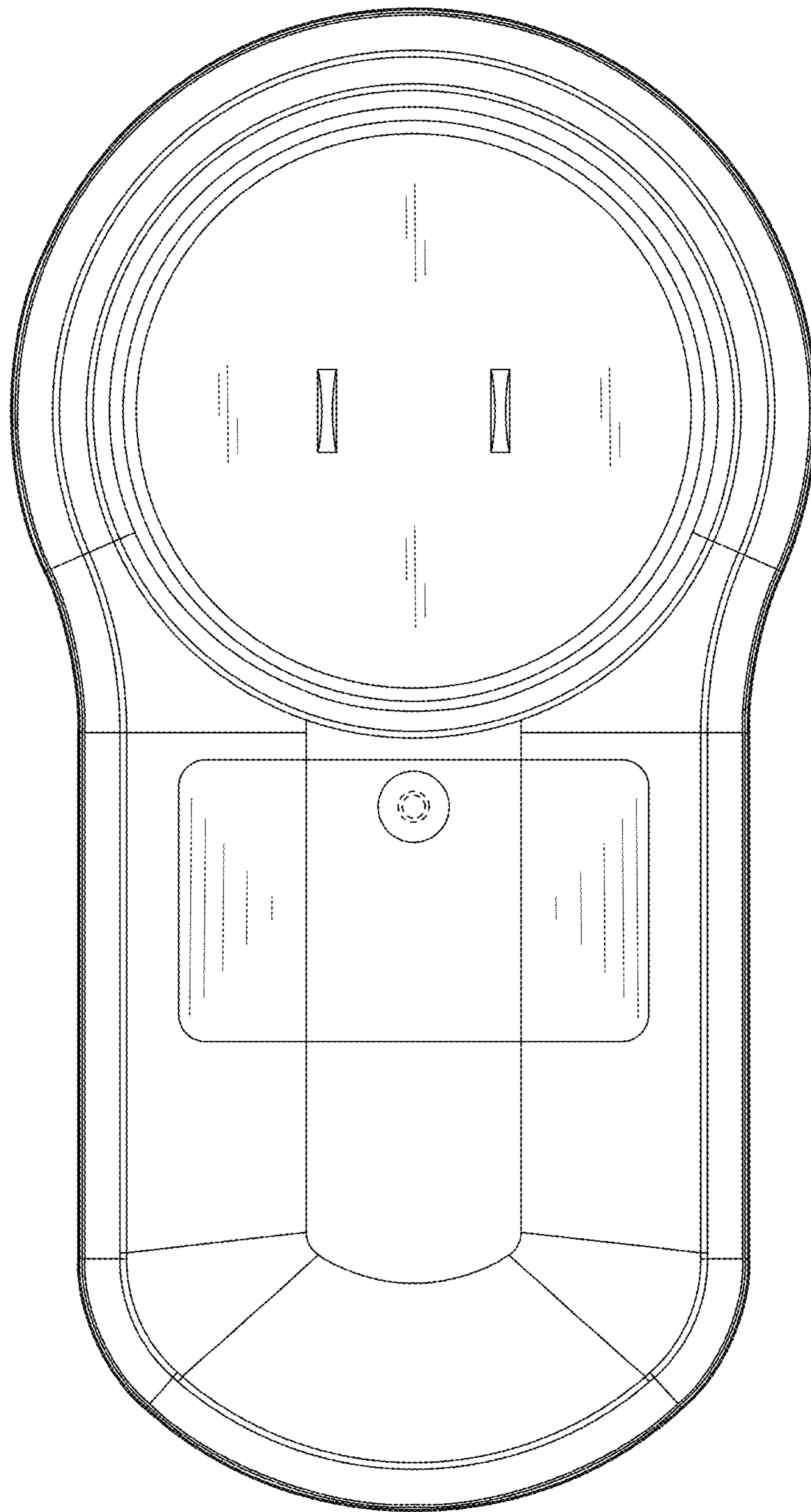


FIG.4

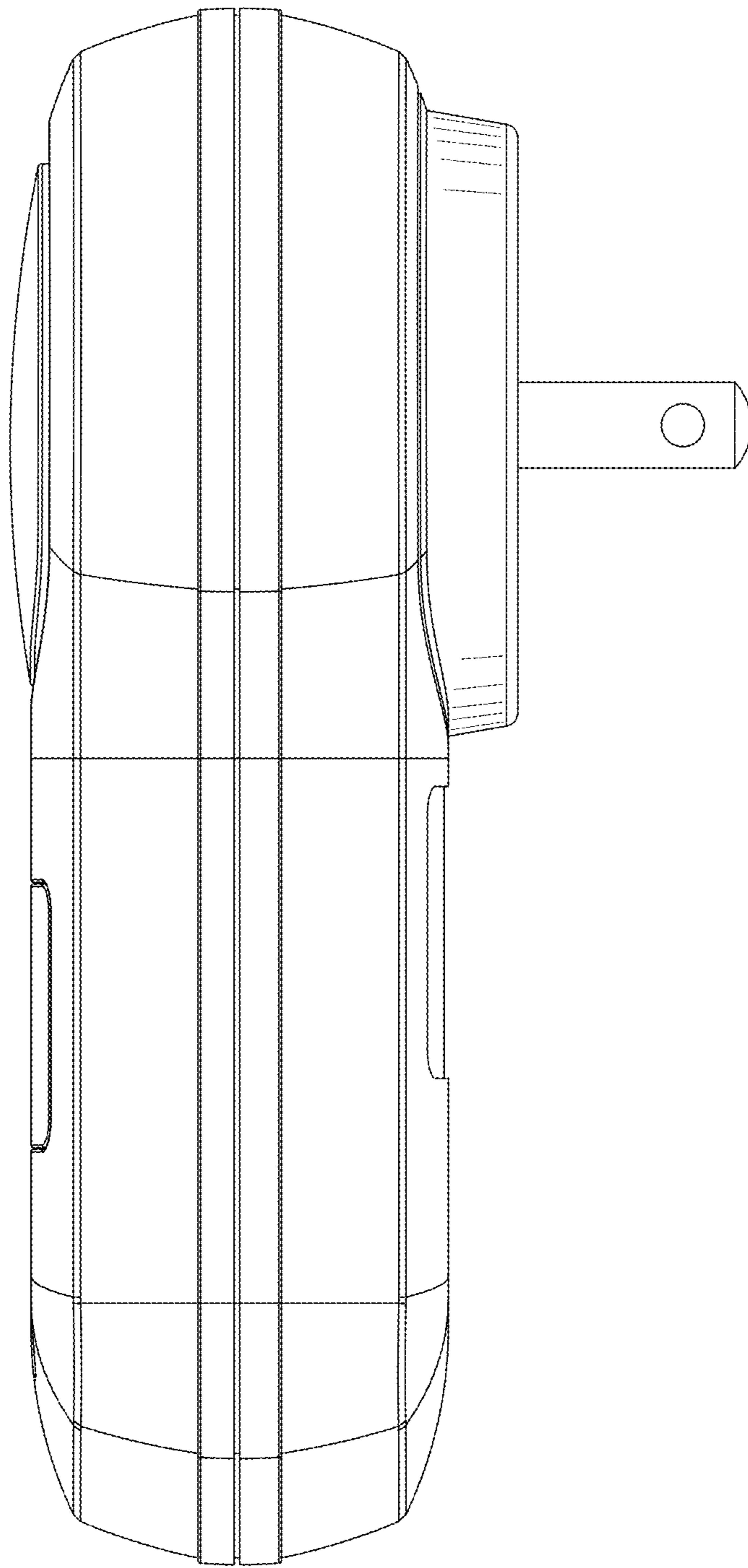


FIG.5

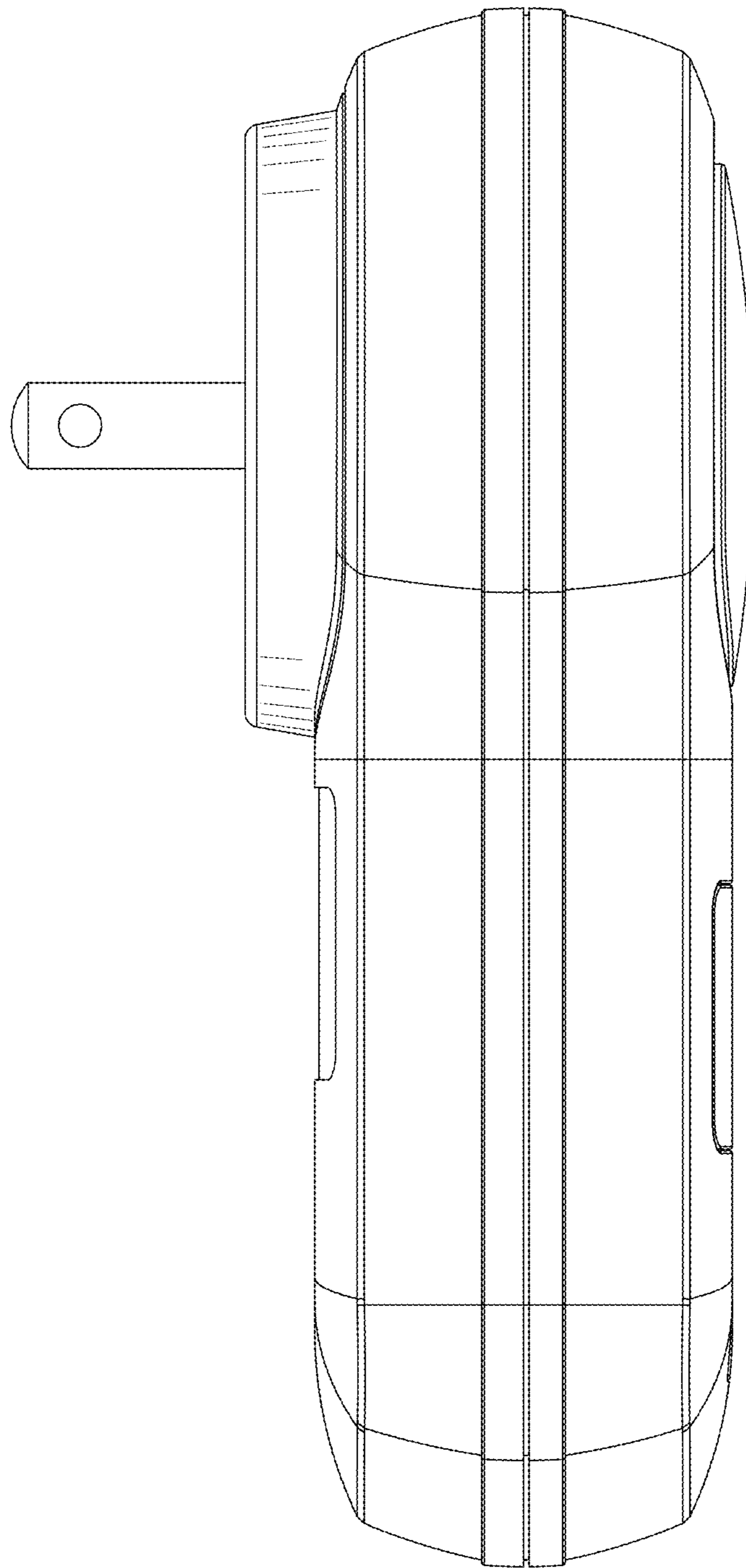


FIG.6

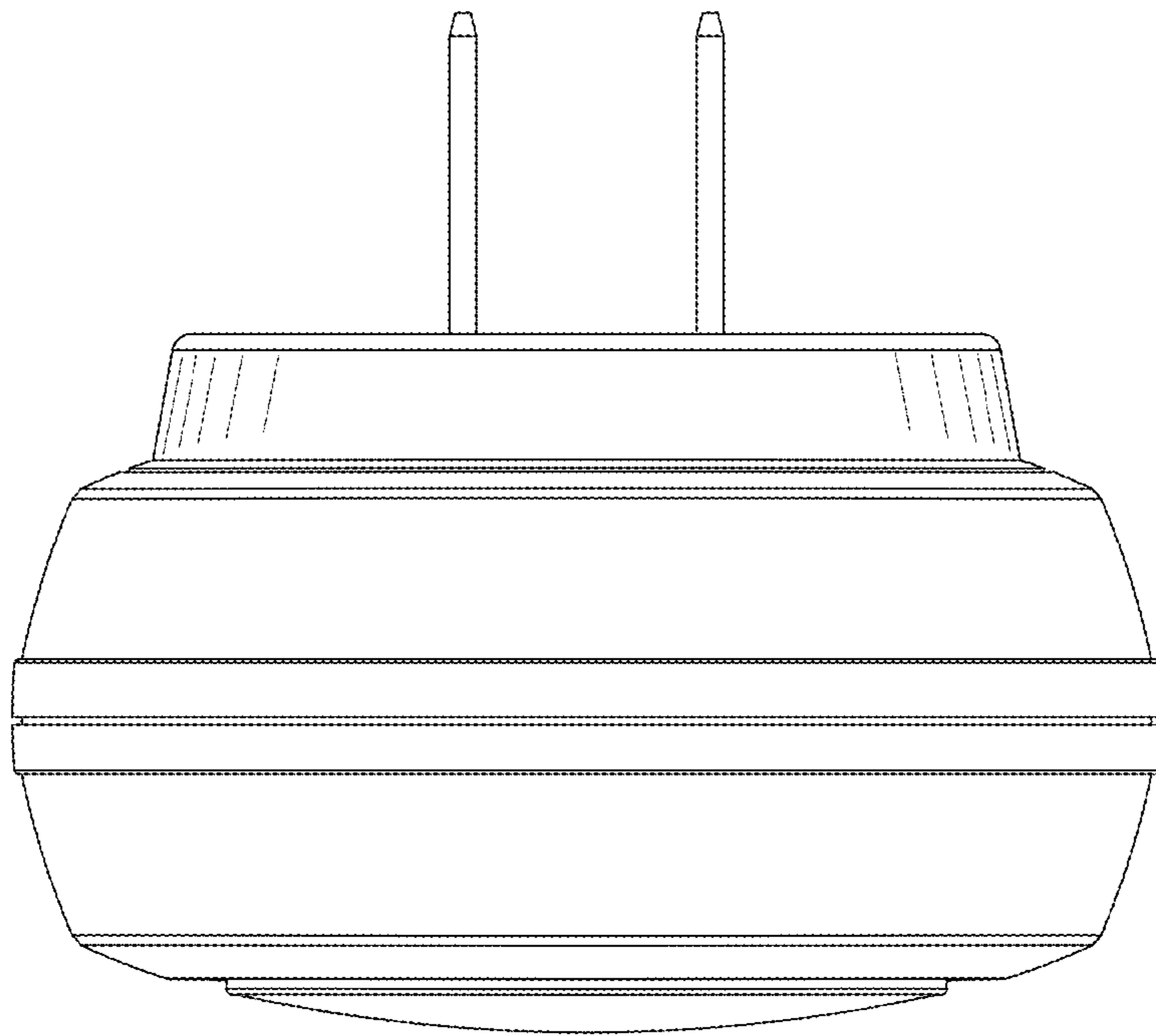


FIG. 7

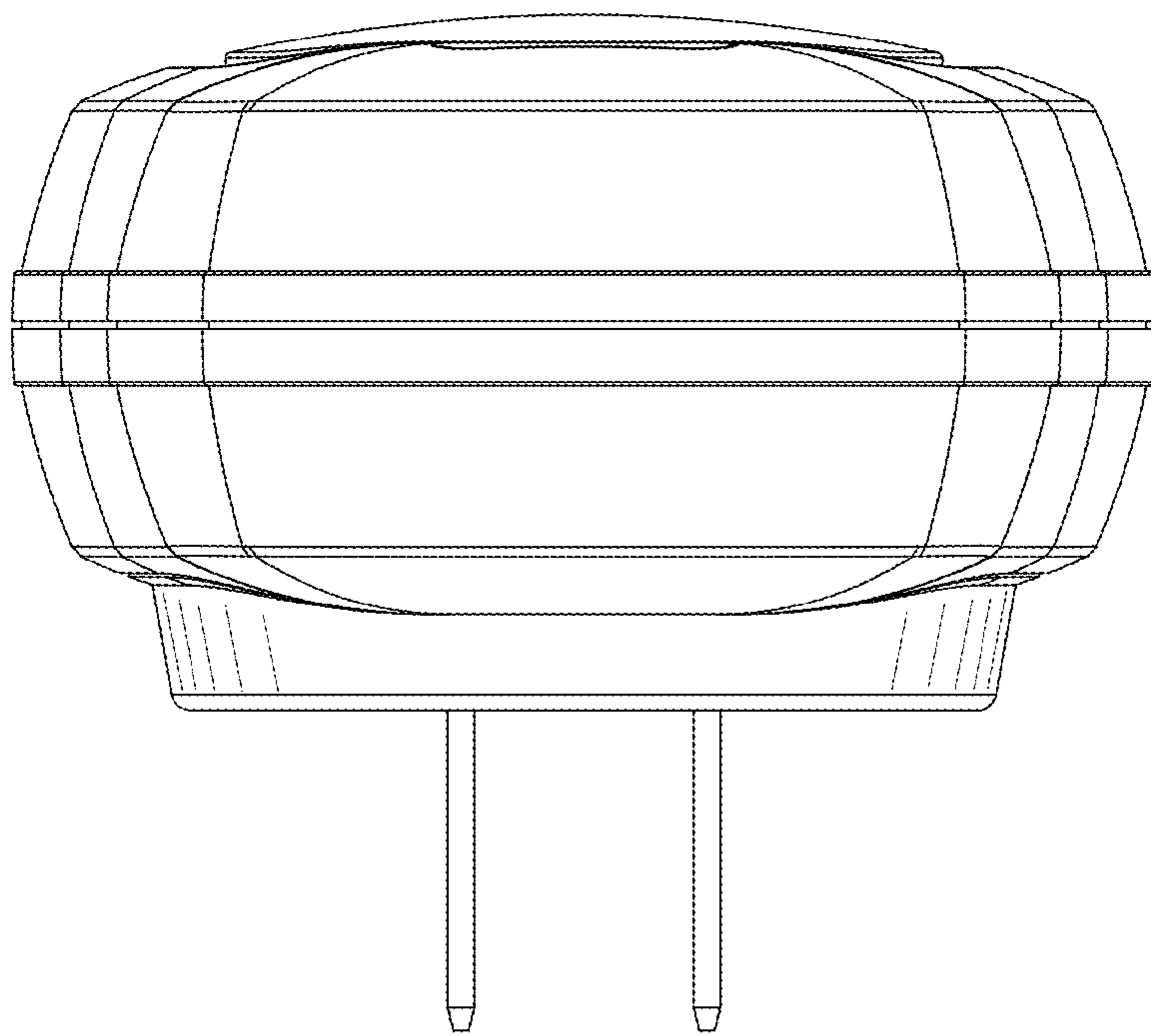


FIG. 8