



US00D880644S

(12) **United States Design Patent**
Chin

(10) **Patent No.:** **US D880,644 S**

(45) **Date of Patent:** **** Apr. 7, 2020**

(54) **PROTECTIVE GUARD FOR OPTICS**

(71) Applicant: **David Chin**, Irvine, CA (US)

(72) Inventor: **David Chin**, Irvine, CA (US)

(**) Term: **15 Years**

(21) Appl. No.: **29/658,758**

(22) Filed: **Aug. 2, 2018**

(51) **LOC (12) Cl.** **22-01**

(52) **U.S. Cl.**
USPC **D22/109**

(58) **Field of Classification Search**
USPC D22/109
CPC F41G 11/003
See application file for complete search history.

(56) **References Cited**

U.S. PATENT DOCUMENTS

D672,840 S * 12/2012 Neufeld D22/108

D728,729 S * 5/2015 Geissele D22/109
D732,631 S * 6/2015 Cheng D22/109
D738,986 S * 9/2015 Anderson D22/109

* cited by examiner

Primary Examiner — Michael A. Pratt

(74) *Attorney, Agent, or Firm* — Kafantaris Law Offices;
Theo Kafantaris

(57) **CLAIM**

The ornamental design for the protective guard for optics, as shown and described.

DESCRIPTION

FIG. 1 is a front view of the protective guard for optics;
FIG. 2 is a front-elevation view of FIG. 1, the right side
being a mirror image;
FIG. 3 is a side view of FIG. 1, the right side being a mirror
image; and,
FIG. 4 is a rear-elevation view of FIG. 1.
This embodiment protects the optics from damage for fire-
arms.

1 Claim, 2 Drawing Sheets

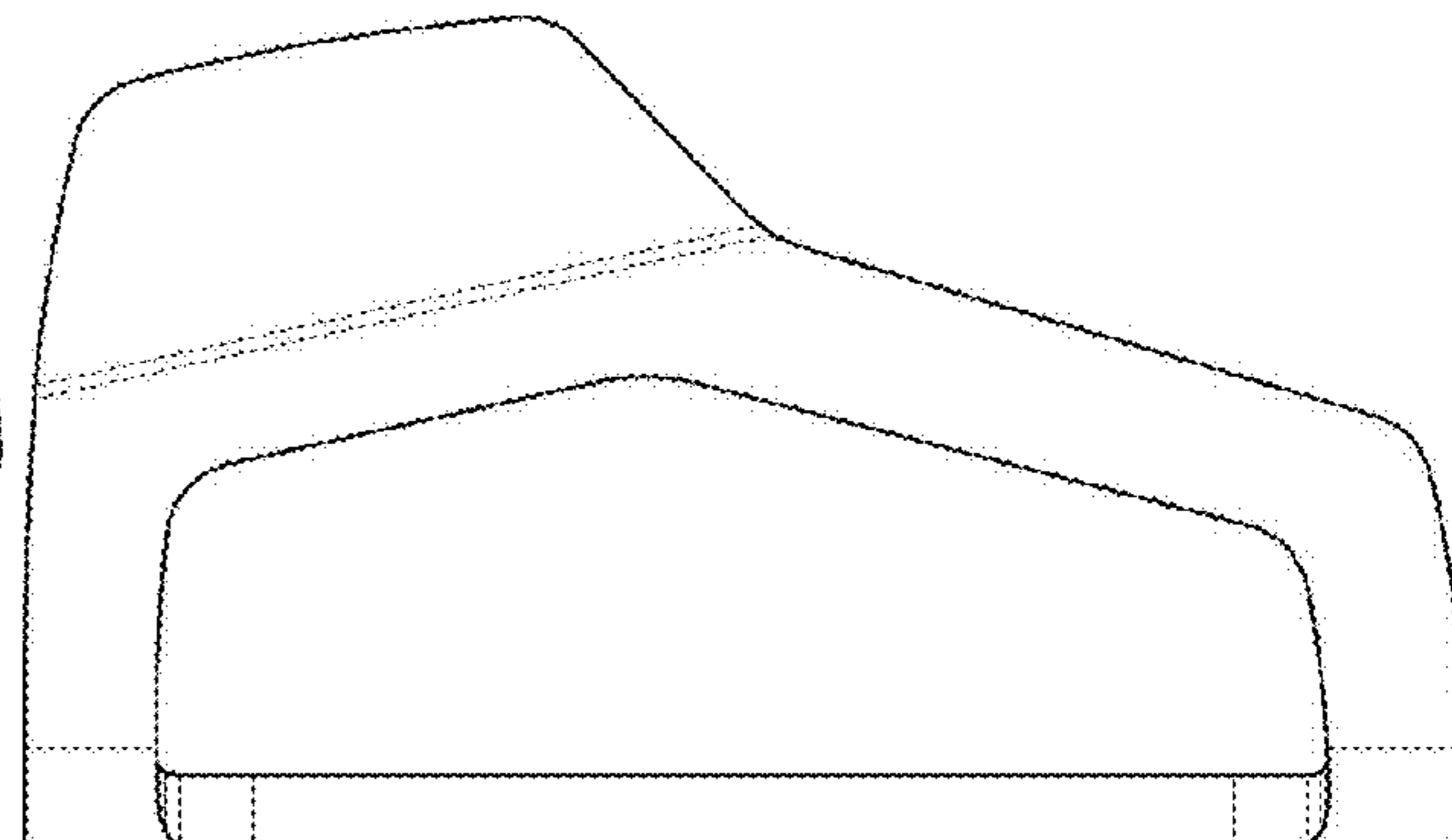
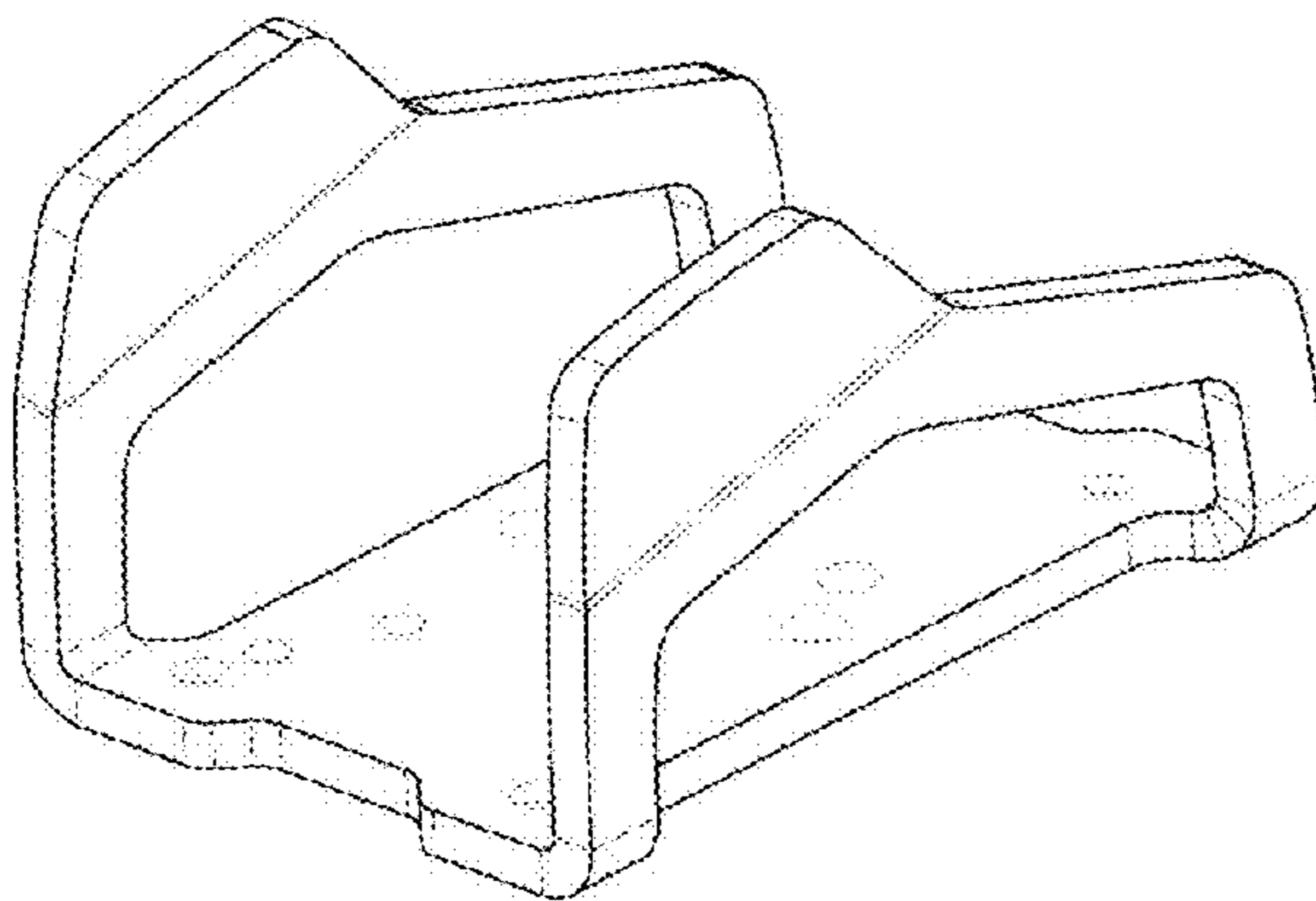


FIG. 1

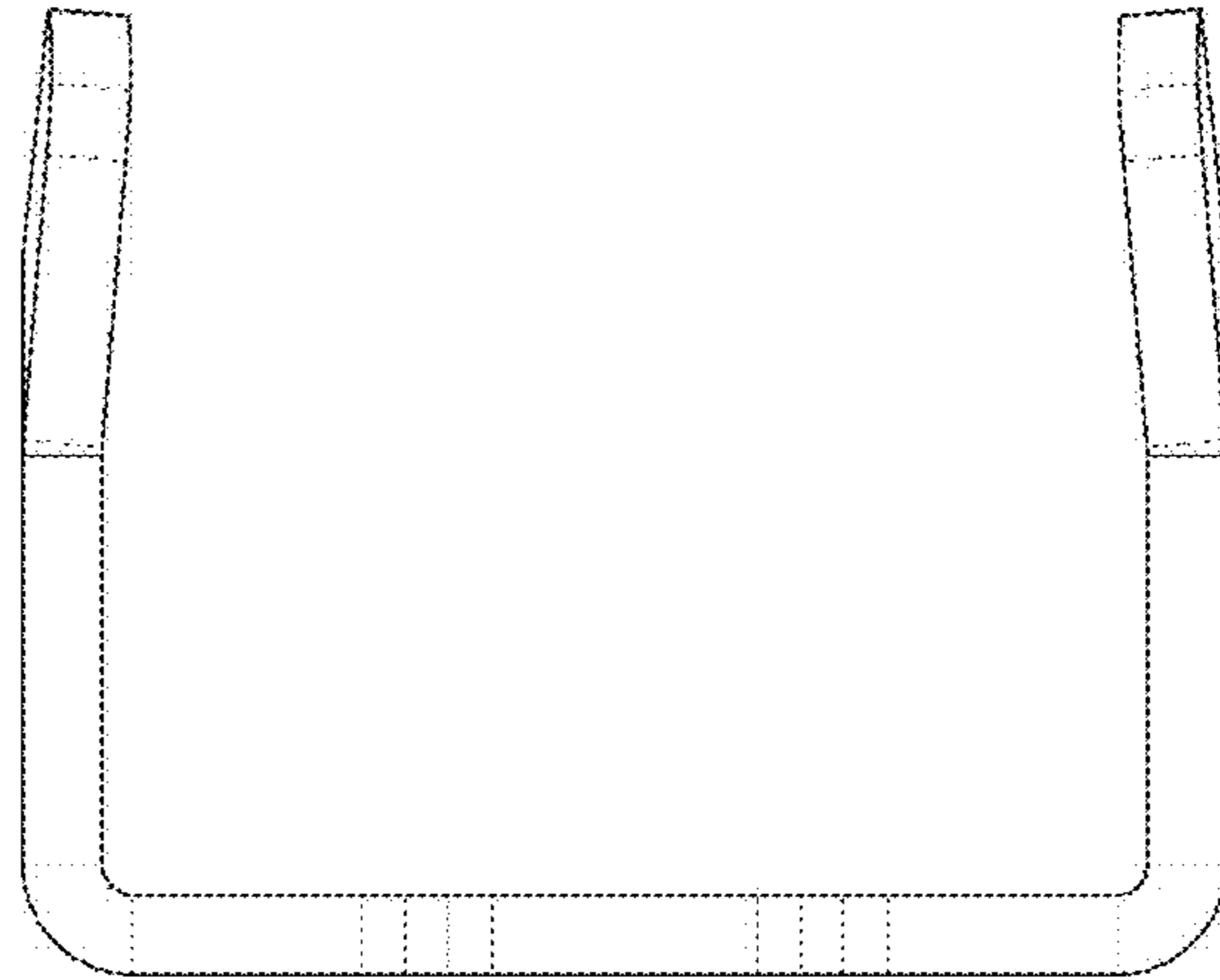


FIG. 2

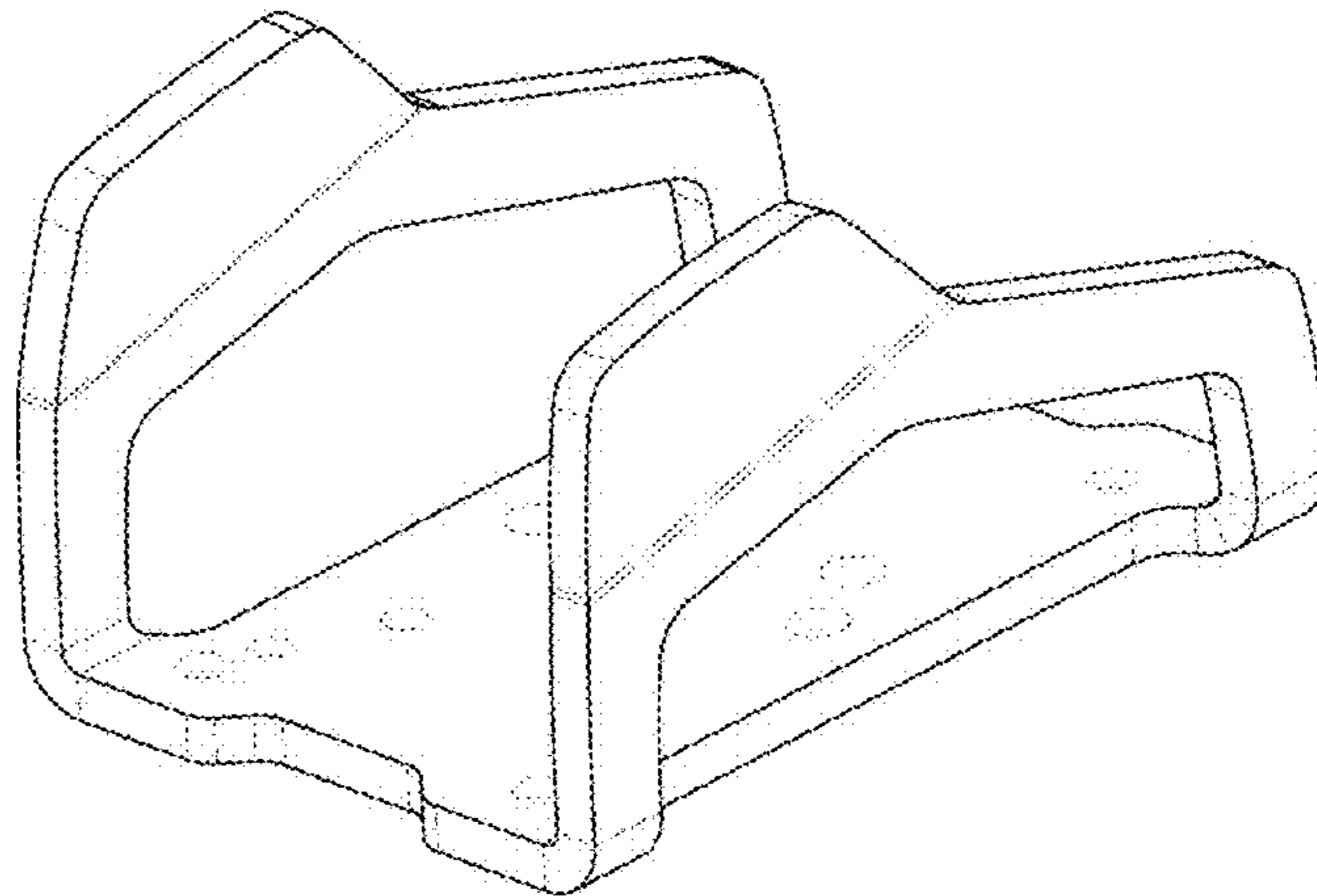


FIG. 3

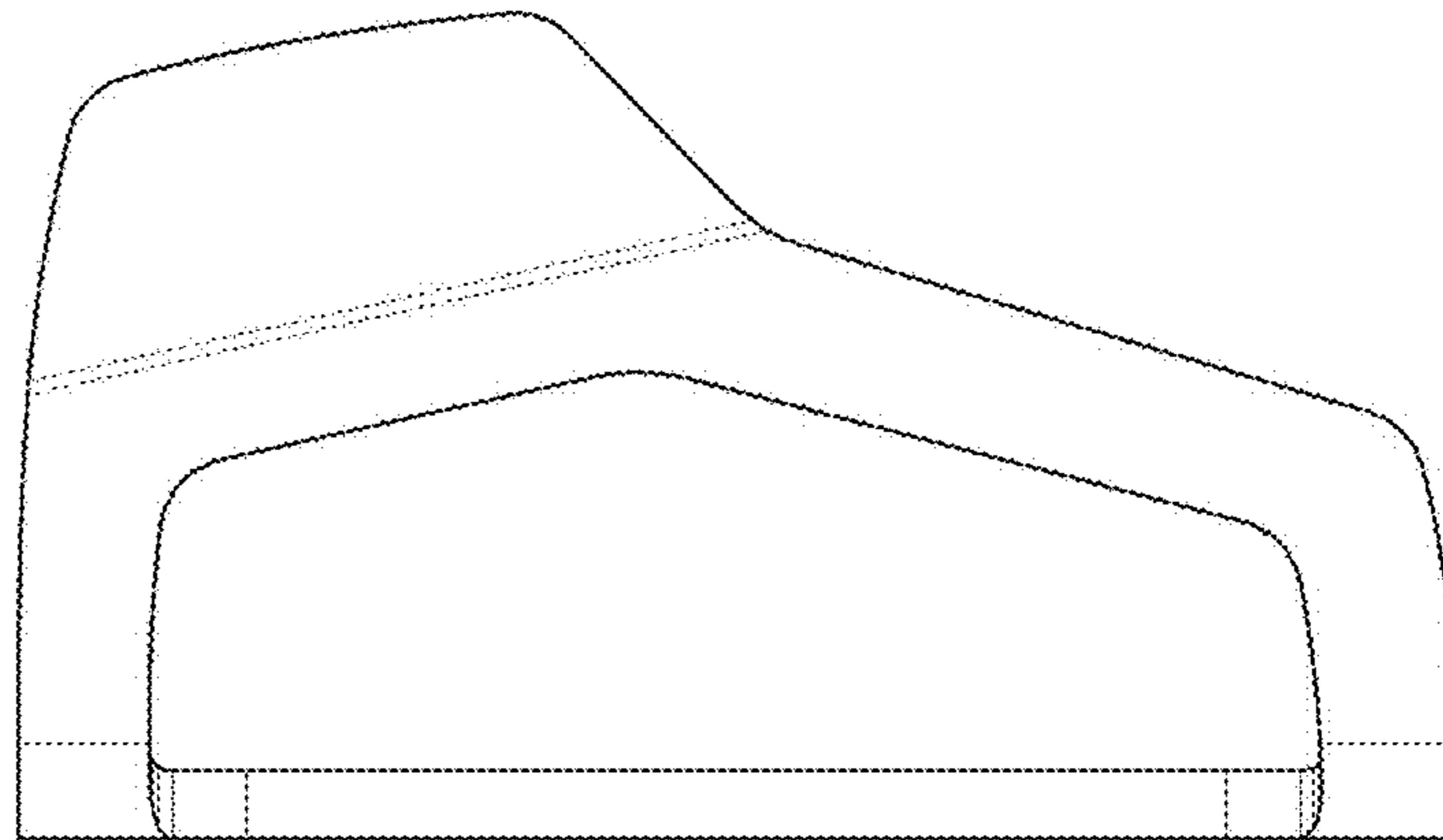


FIG. 4

