



US00D880642S

(12) **United States Design Patent**  
**Geissele**

(10) **Patent No.:** **US D880,642 S**  
(45) **Date of Patent:** **\*\* Apr. 7, 2020**

(54) **FIREARM SELECTOR LEVER**

(71) Applicant: **WHG Properties, LLC**, North Wales, PA (US)

(72) Inventor: **William H. Geissele**, Lower Gwynedd, PA (US)

(73) Assignee: **WHG Properties, LLC**, North Wales, PA (US)

(\*\*) Term: **15 Years**

(21) Appl. No.: **29/661,292**

(22) Filed: **Aug. 27, 2018**

(51) **LOC (12) Cl.** ..... **22-01**

(52) **U.S. Cl.**  
USPC ..... **D22/108**

(58) **Field of Classification Search**  
USPC ..... **D22/108**

(Continued)

(56) **References Cited**

**U.S. PATENT DOCUMENTS**

8,047,119 B2 \* 11/2011 Hochstrate ..... F41A 19/46  
89/139  
D810,388 S \* 2/2018 Podgurny ..... D99/27

(Continued)

*Primary Examiner* — Michael A. Pratt

(74) *Attorney, Agent, or Firm* — Fox Rothschild LLP

(57) **CLAIM**

The ornamental design for a firearm selector lever, as shown and described.

**DESCRIPTION**

FIG. 1 is a top, front, right side perspective view of an embodiment of a firearm selector lever according to the present disclosure.

FIG. 2 is a top, back, left side view of the firearm selector lever of FIG. 1.

FIG. 3 is a top view of the firearm selector lever of FIG. 1. FIG. 4 is a bottom view of the firearm selector lever of FIG. 1.

FIG. 5 is a back view of the firearm selector lever of FIG. 1.

FIG. 6 is a front view of the firearm selector lever of FIG. 1.

FIG. 7 is a right side view of the firearm selector lever of FIG. 1.

FIG. 8 is a left side view of the firearm selector lever of FIG. 1.

FIG. 9 is a top, front, right side perspective view of another embodiment of a firearm selector lever according to the present disclosure.

FIG. 10 is a top, back, left side view of the firearm selector lever of FIG. 9.

FIG. 11 is a top view of the firearm selector lever of FIG. 9. FIG. 12 is a bottom view of the firearm selector lever of FIG. 9.

FIG. 13 is a back view of the firearm selector lever of FIG. 9.

FIG. 14 is a front view of the firearm selector lever of FIG. 9.

FIG. 15 is a right side view of the firearm selector lever of FIG. 9.

FIG. 16 is a left side view of the firearm selector lever of FIG. 9.

FIG. 17 is a top, front, right side perspective view of another embodiment of a firearm selector lever according to the present disclosure.

FIG. 18 is a top, back, left side view of the firearm selector lever of FIG. 17.

FIG. 19 is a top view of the firearm selector lever of FIG. 17. FIG. 20 is a bottom view of the firearm selector lever of FIG. 17.

FIG. 21 is a back view of the firearm selector lever of FIG. 17.

FIG. 22 is a front view of the firearm selector lever of FIG. 17.

FIG. 23 is a right side view of the firearm selector lever of FIG. 17.

FIG. 23 is a right side view of the firearm selector lever of FIG. 17.

(Continued)

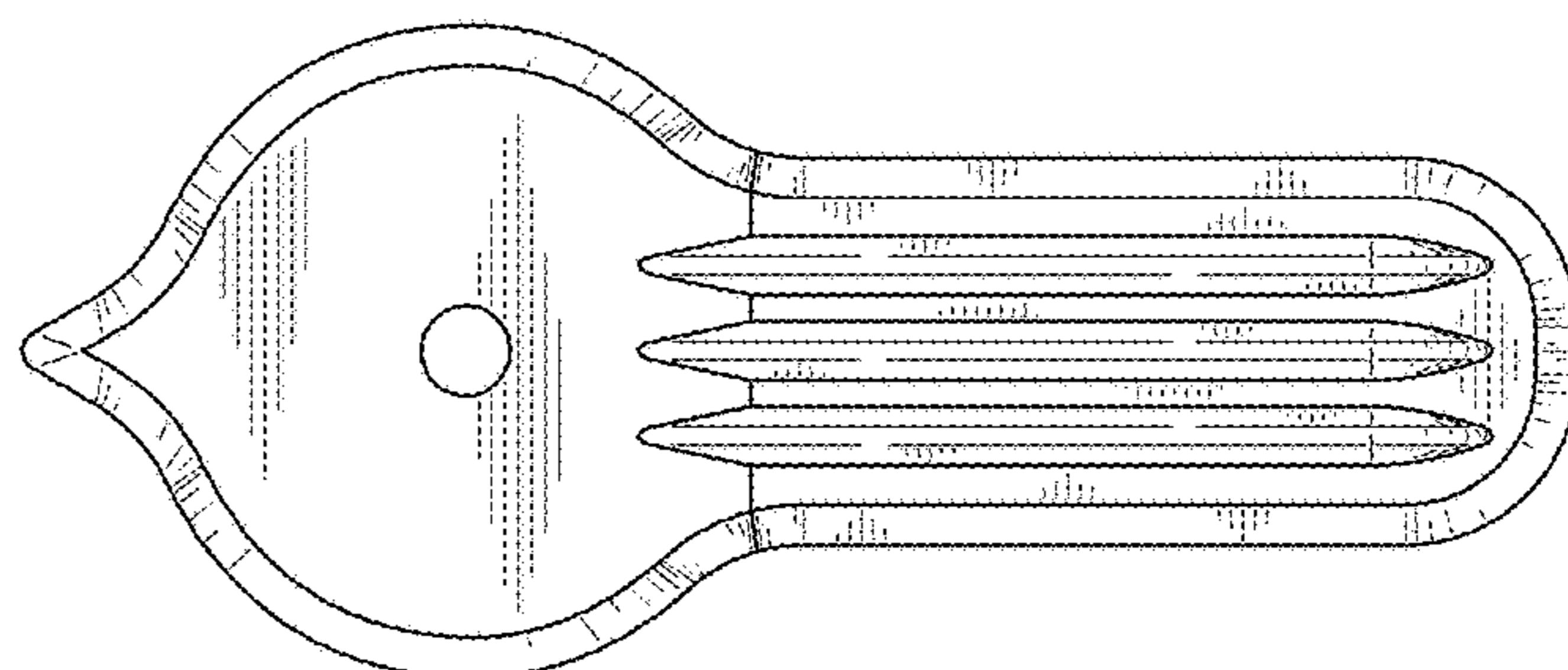
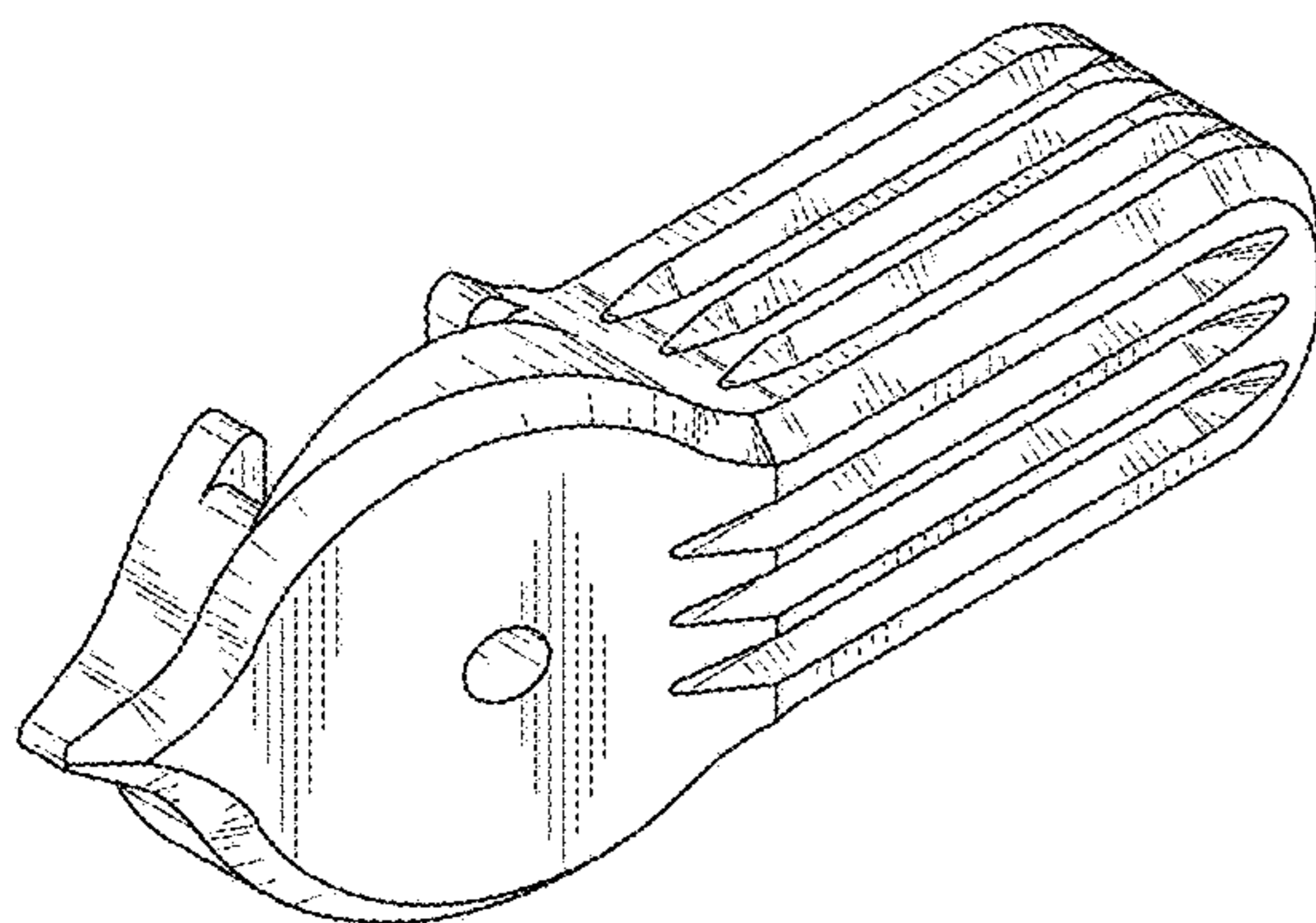


FIG. 24 is a left side view of the firearm selector lever of FIG. 17.

FIG. 25 is a top, front, right side perspective view of another embodiment of a firearm selector lever according to the present disclosure.

FIG. 26 is a top, back, left side view of the firearm selector lever of FIG. 25.

FIG. 27 is a top view of the firearm selector lever of FIG. 25.

FIG. 28 is a bottom view of the firearm selector lever of FIG. 25.

FIG. 29 is a back view of the firearm selector lever of FIG. 25.

FIG. 30 is a front view of the firearm selector lever of FIG. 25.

FIG. 31 is a right side view of the firearm selector lever of FIG. 25; and,

FIG. 32 is a left side view of the firearm selector lever of FIG. 25.

The broken lines in the Figures illustrate portions of the article that form no part of the claimed design.

**1 Claim, 8 Drawing Sheets**

(58) **Field of Classification Search**

CPC ..... F41A 19/46; F41A 17/00  
See application file for complete search history.

(56) **References Cited**

U.S. PATENT DOCUMENTS

D819,768	S	*	6/2018	Dew	.....	D22/108
D855,735	S	*	8/2019	Geissele	.....	D22/108
D856,457	S	*	8/2019	Montes	.....	D22/108
2017/0176122	A1	*	6/2017	Underwood	.....	F41A 19/46
2017/0299304	A1	*	10/2017	Otte, Jr.	.....	F41A 17/46

\* cited by examiner

FIG. 1

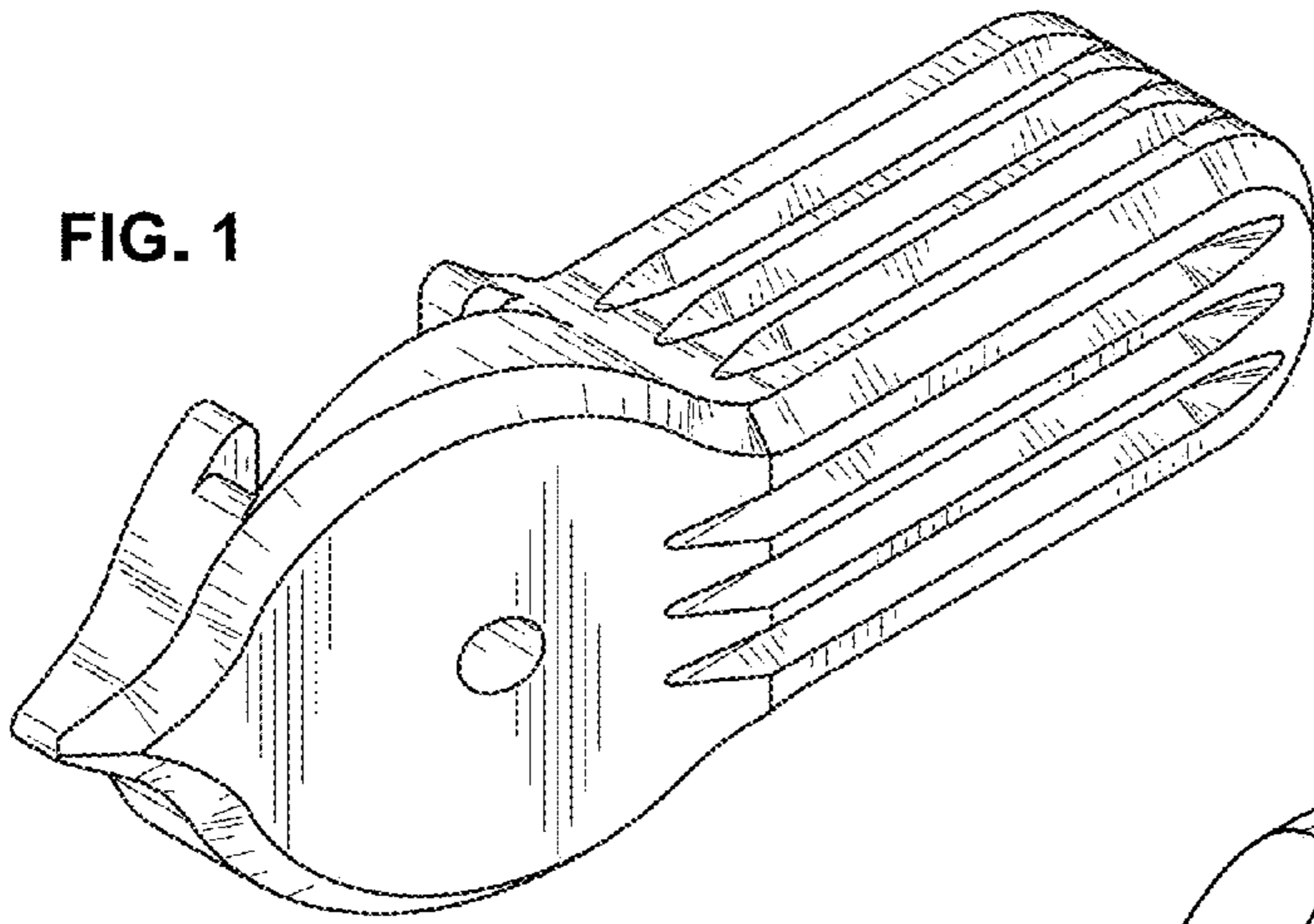


FIG. 2

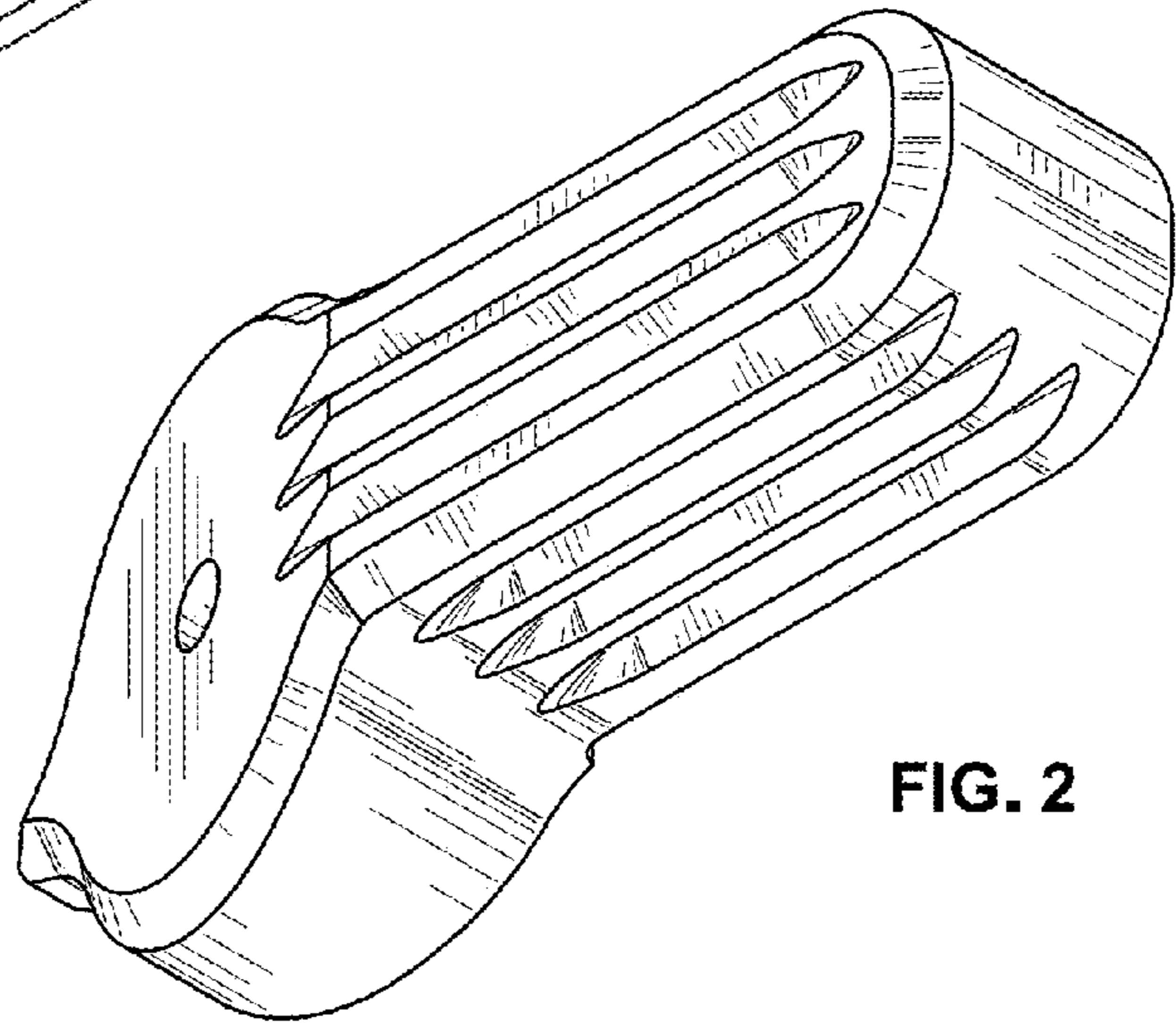


FIG. 3

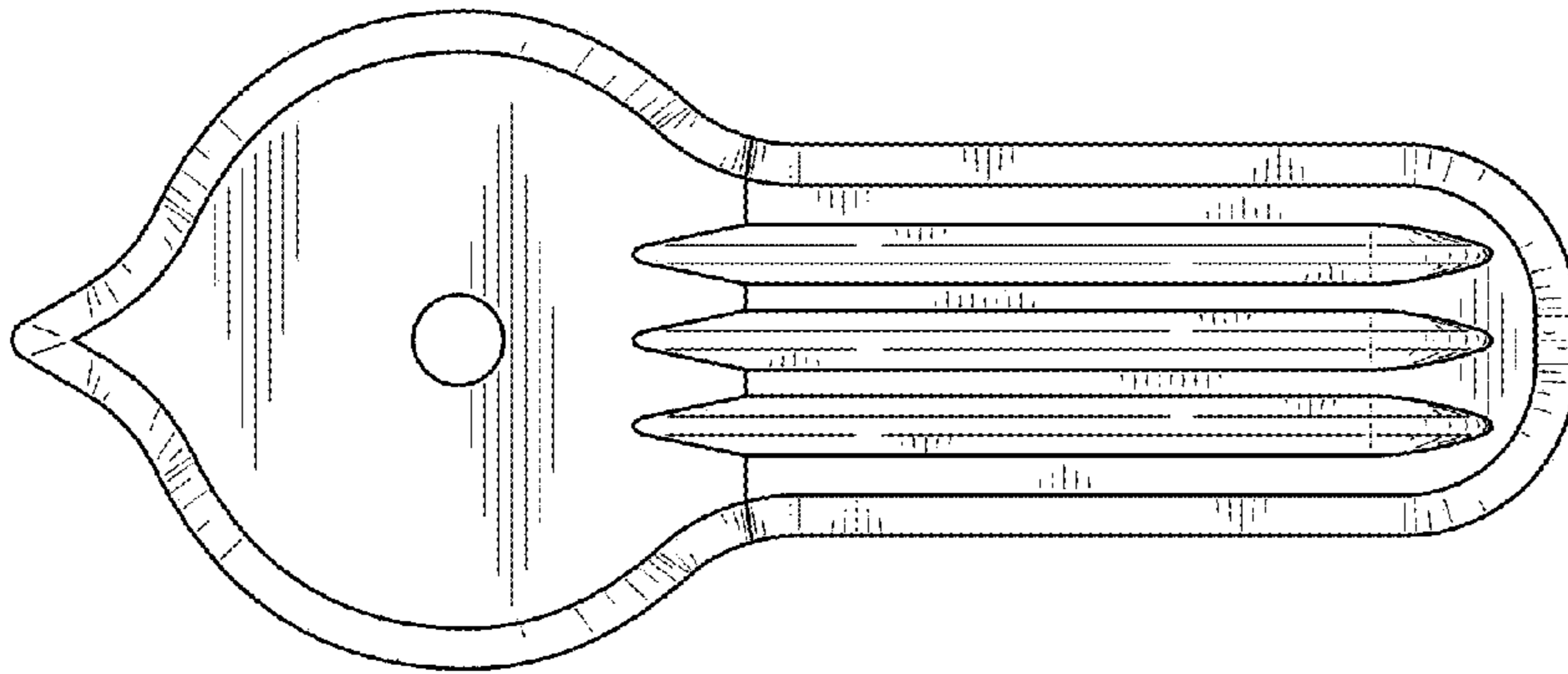


FIG. 4

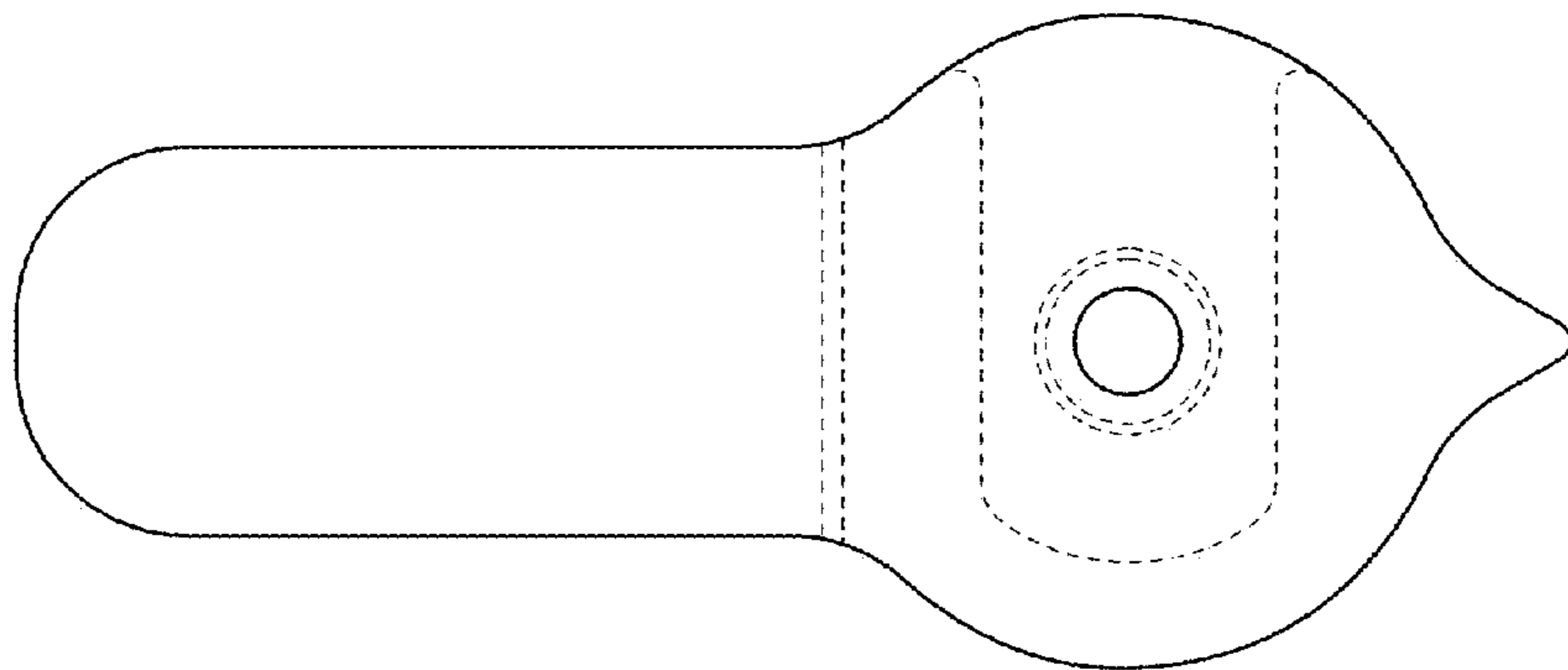


FIG. 5

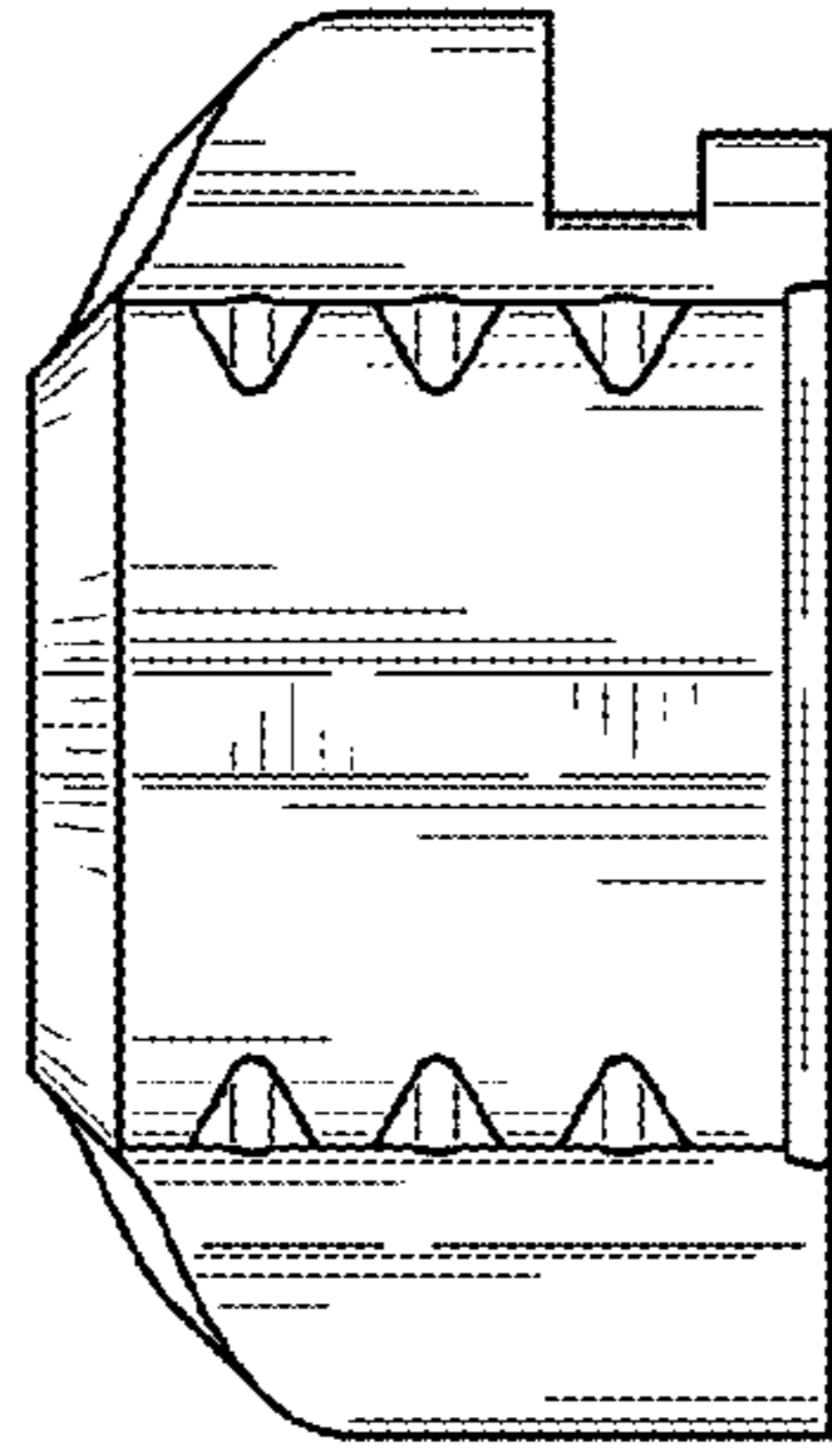


FIG. 6

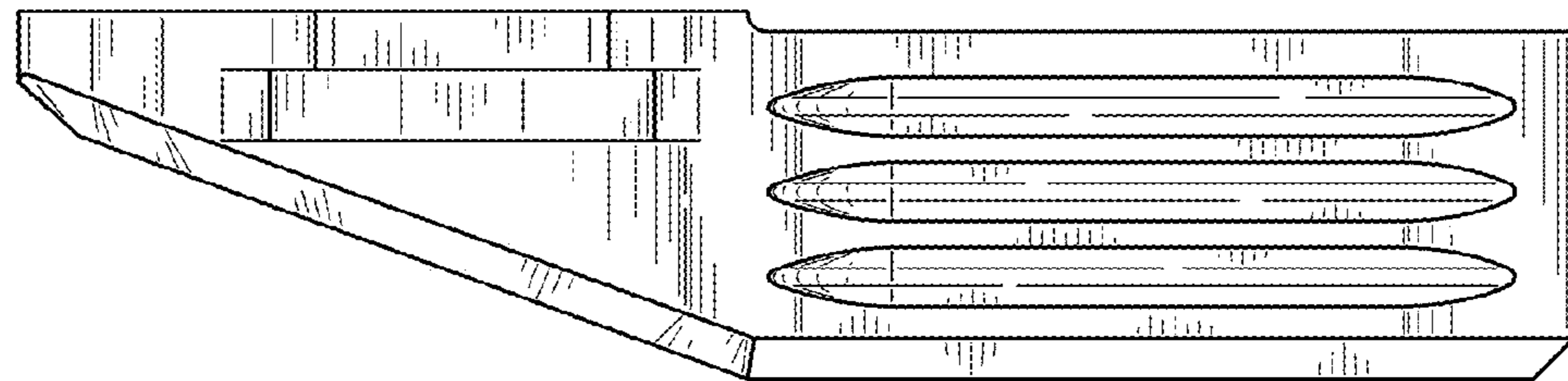
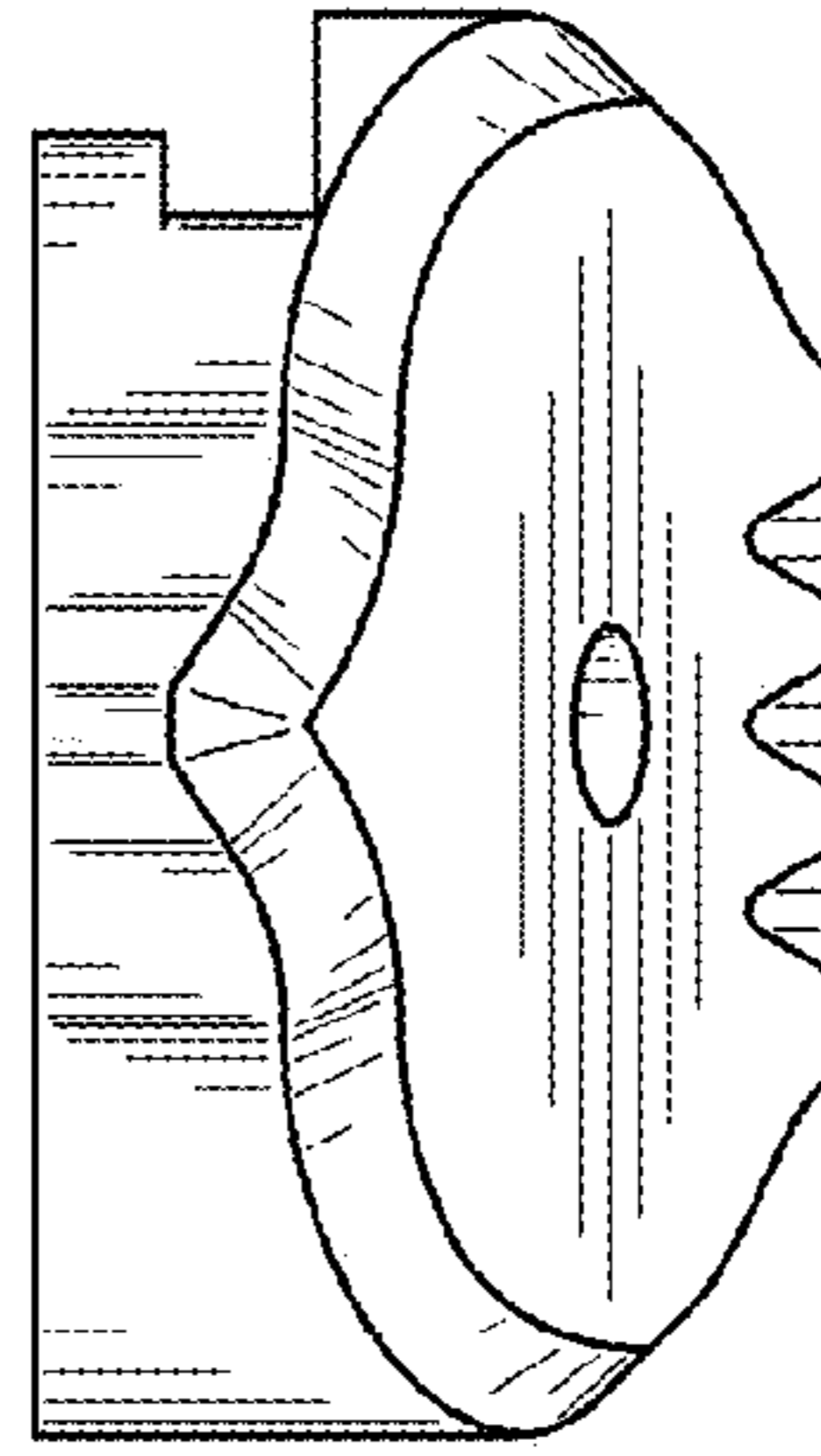
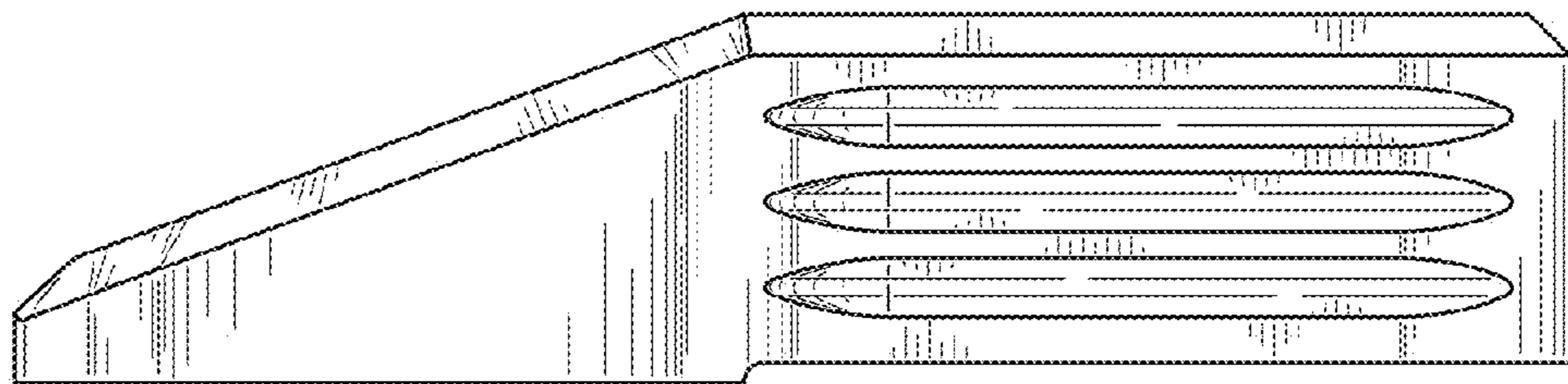


FIG. 7

FIG. 8



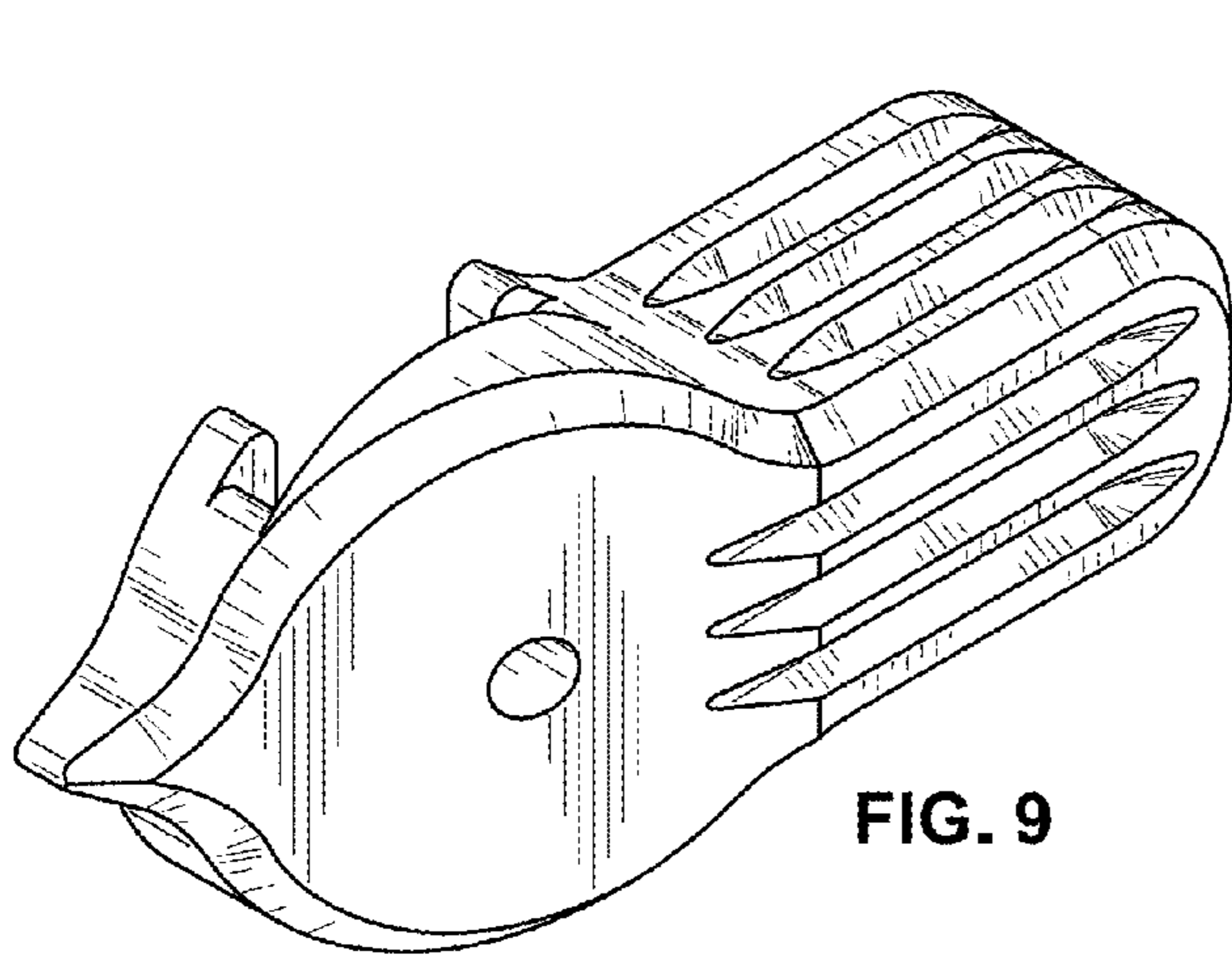


FIG. 9

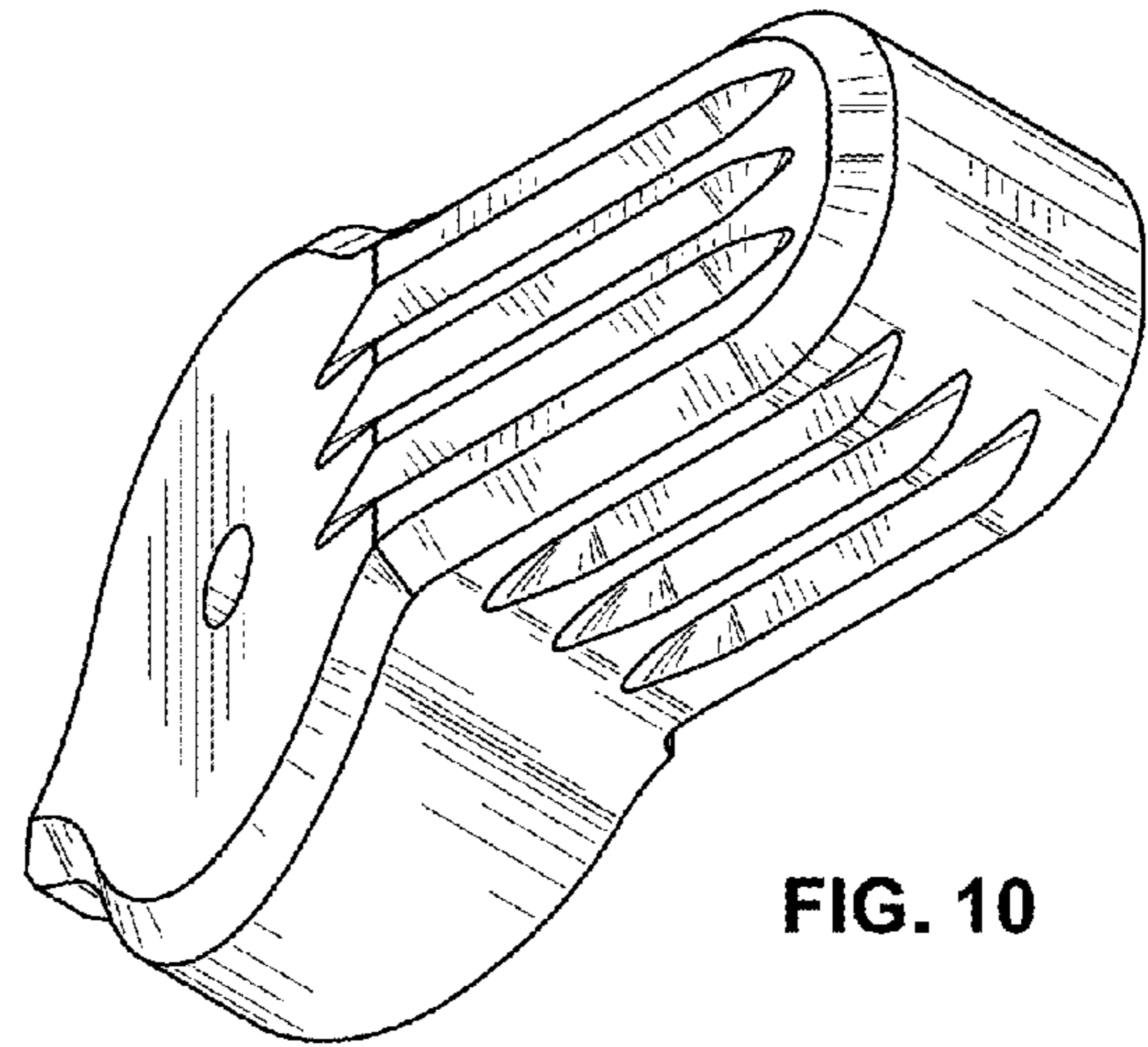


FIG. 10

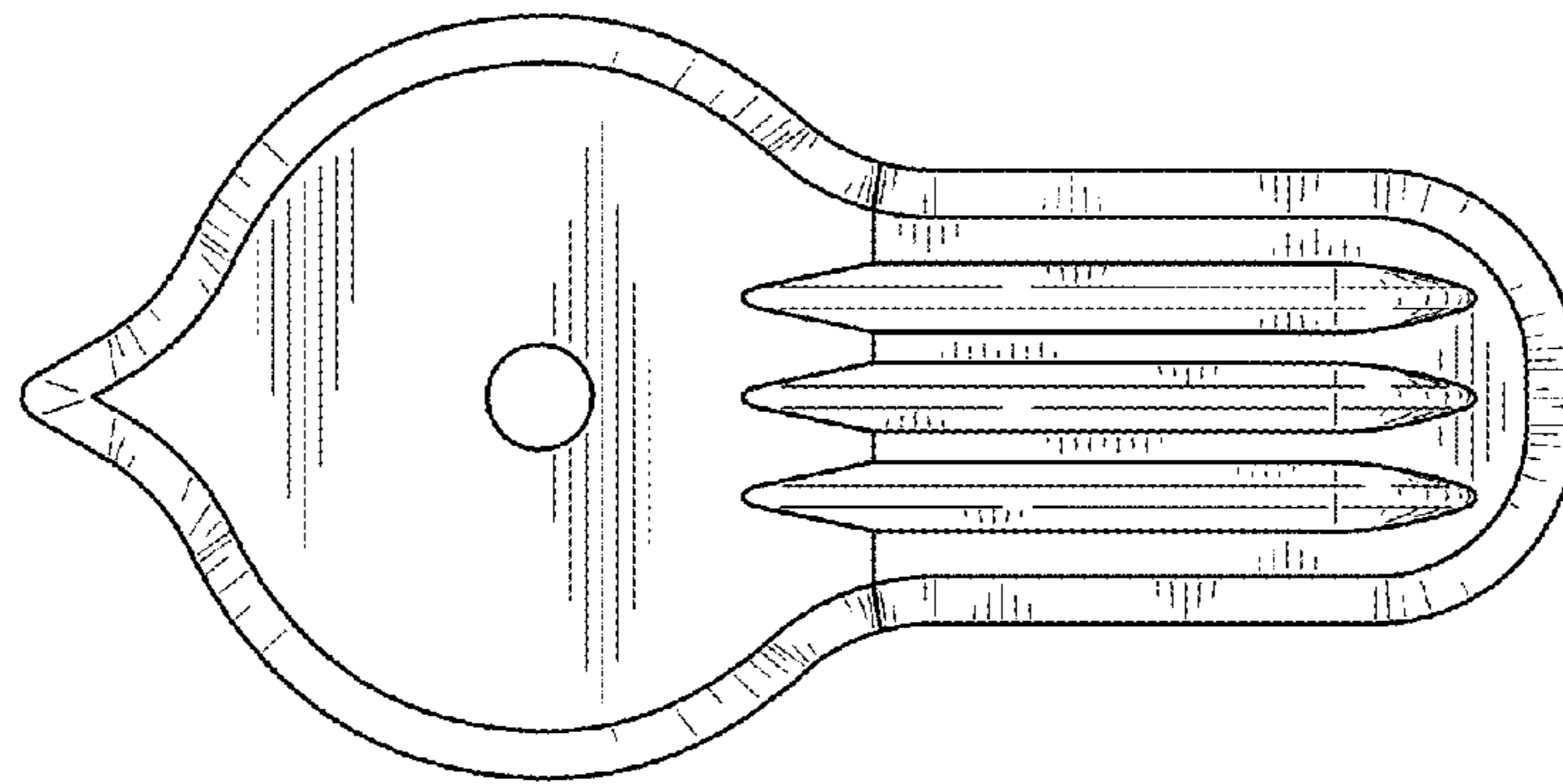


FIG. 11

FIG. 12

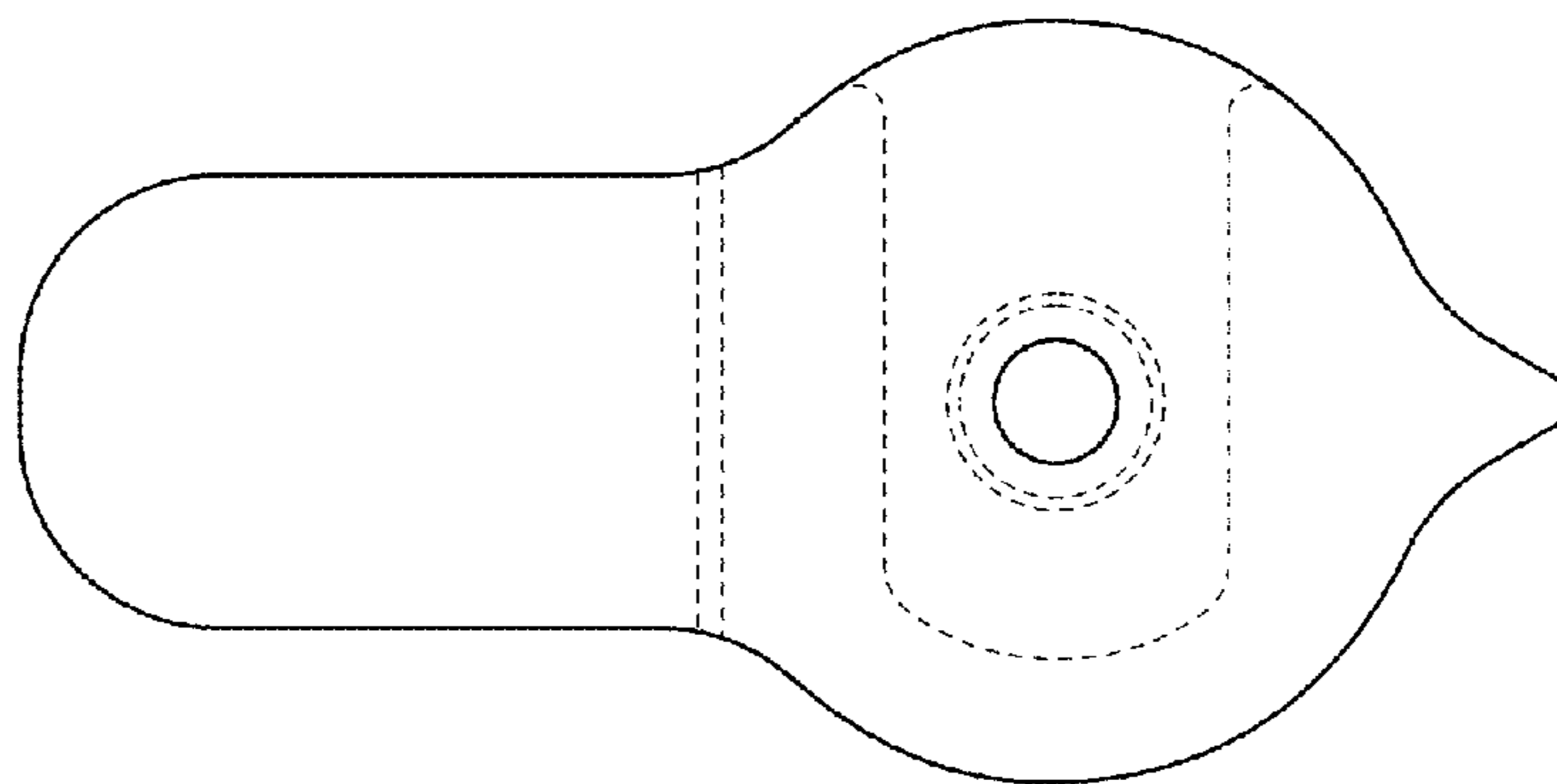


FIG. 13

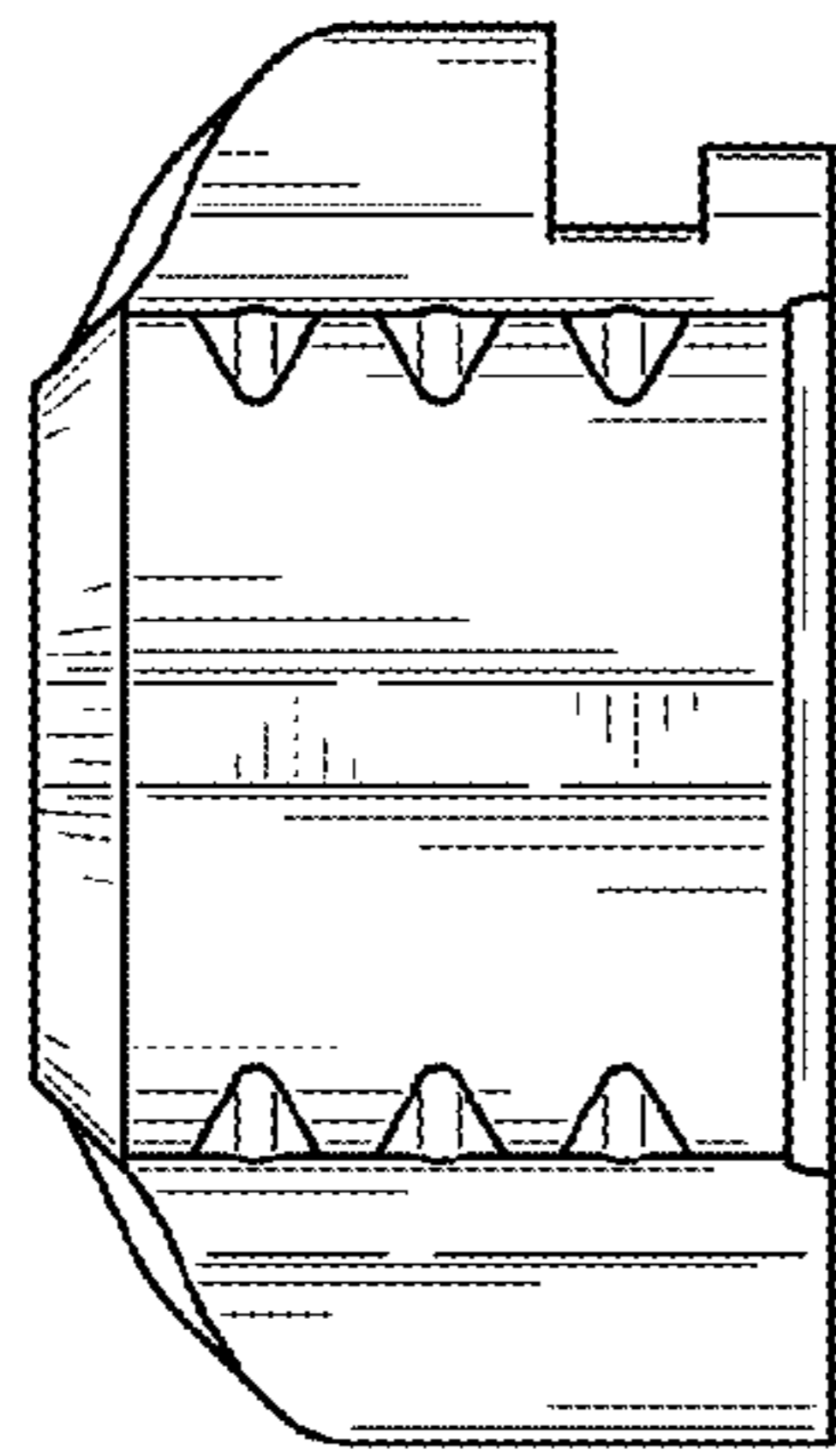


FIG. 14

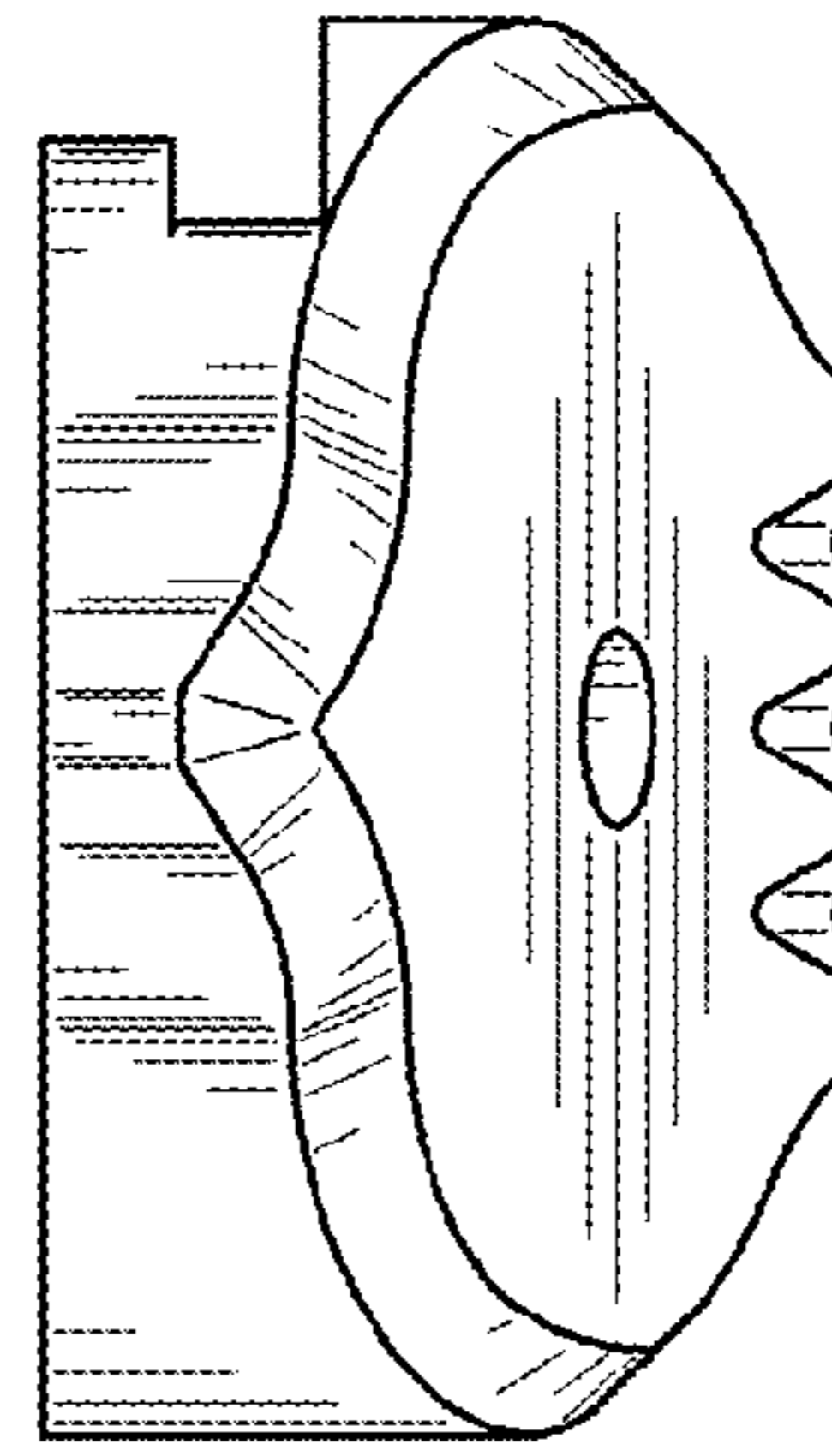


FIG. 15

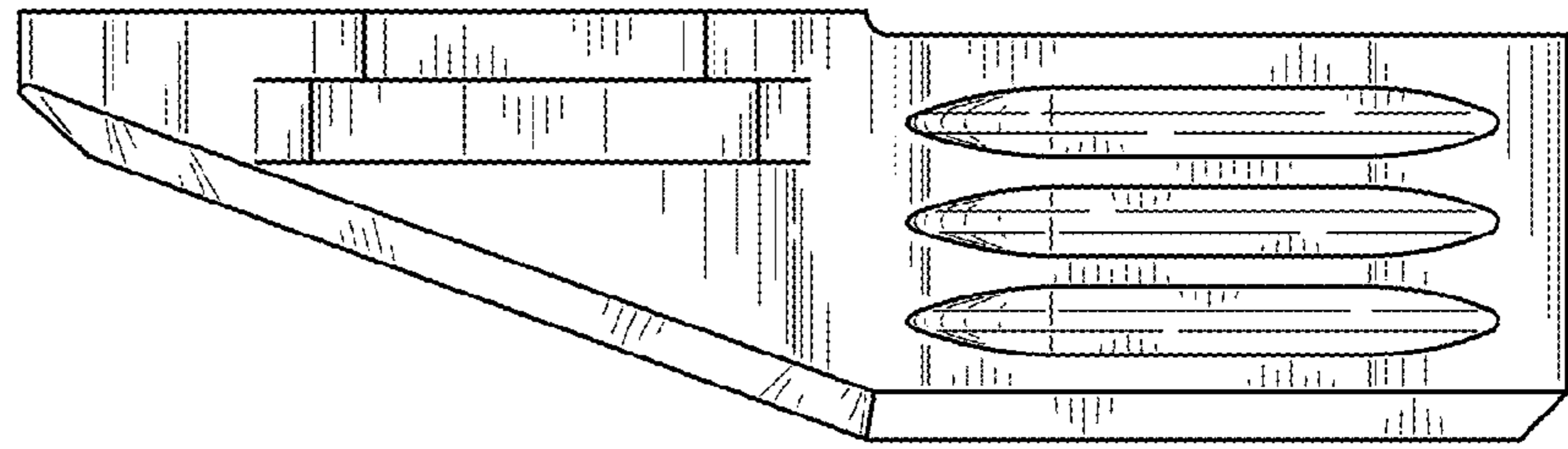


FIG. 16

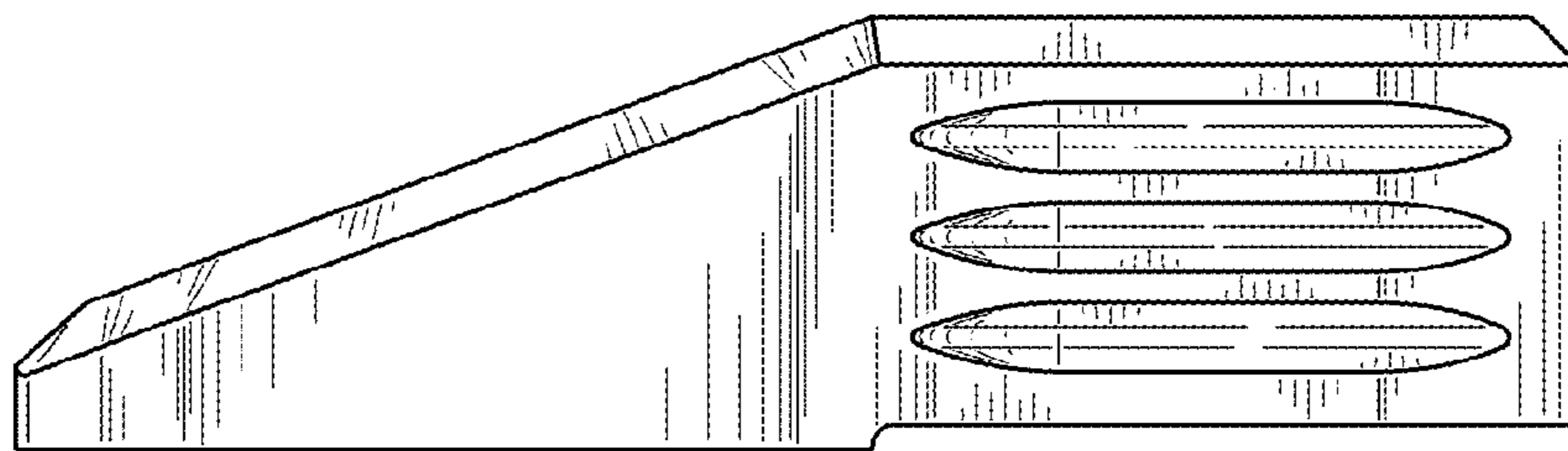


FIG. 17

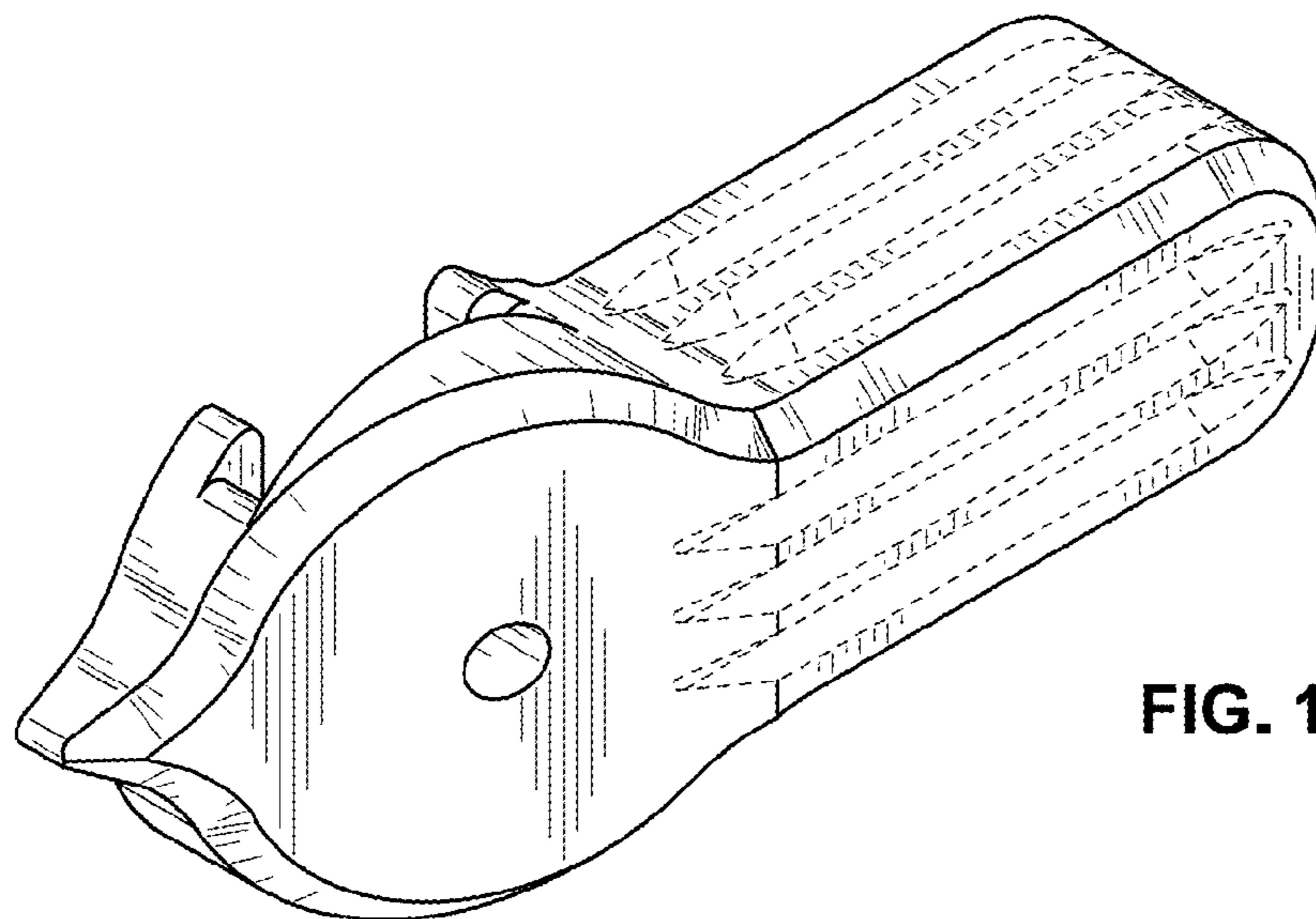


FIG. 18

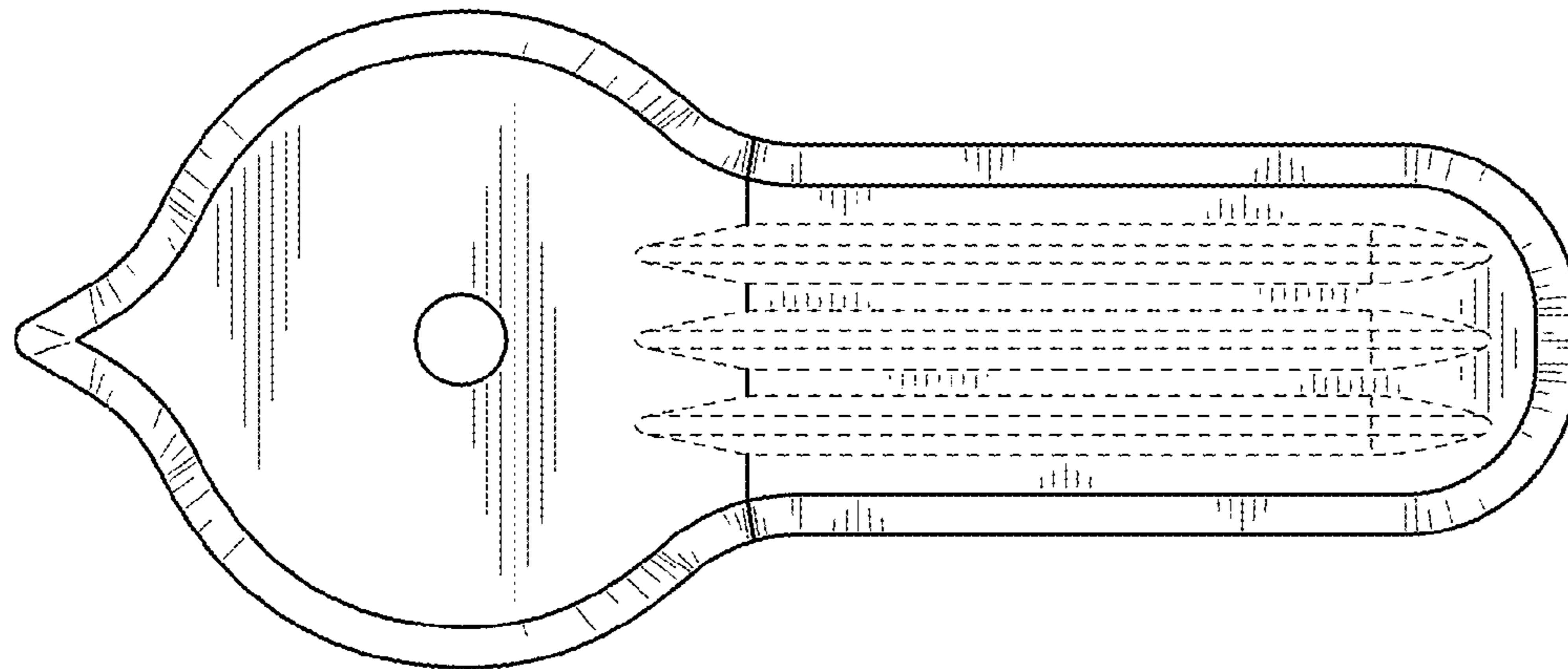
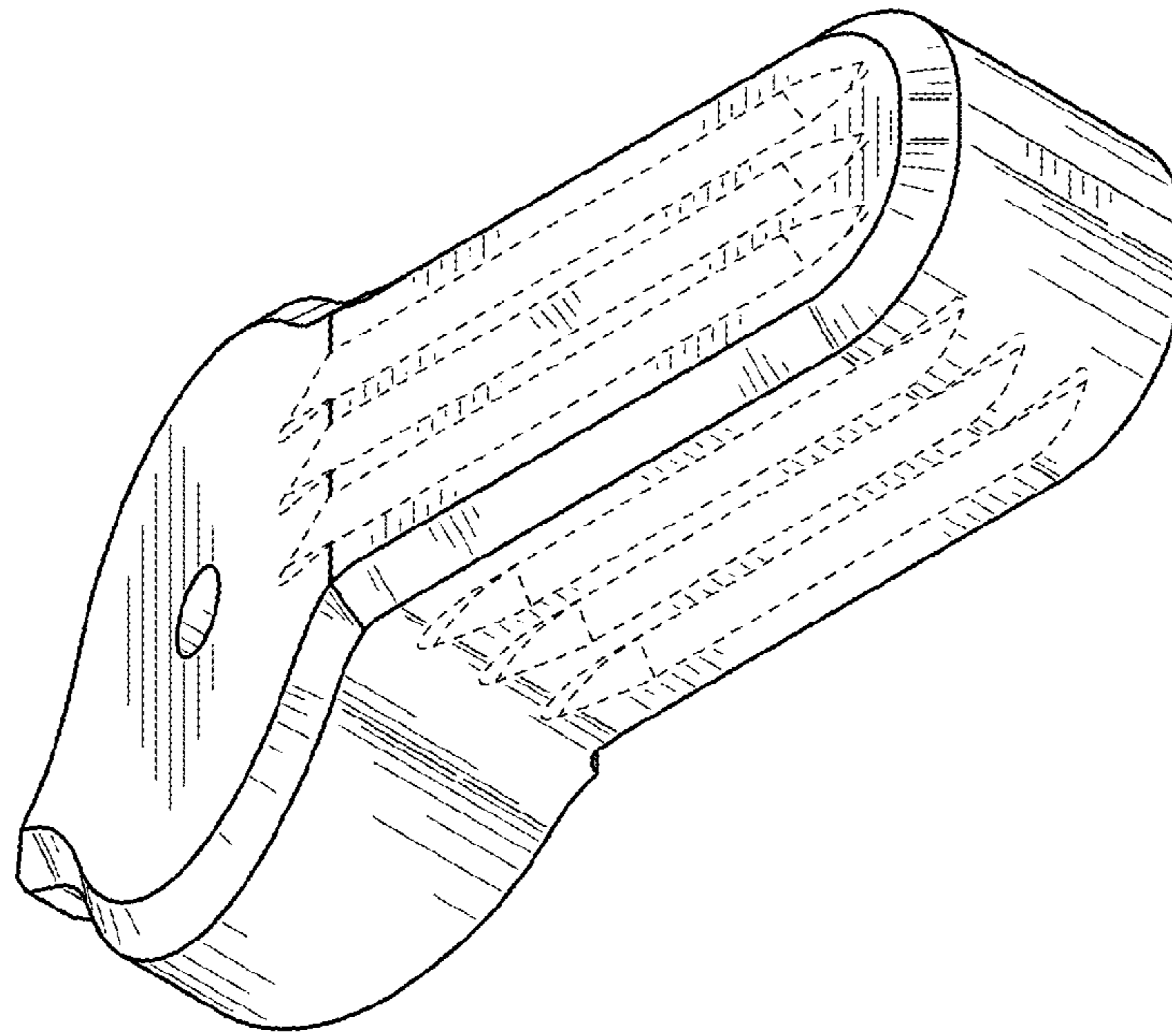


FIG. 19

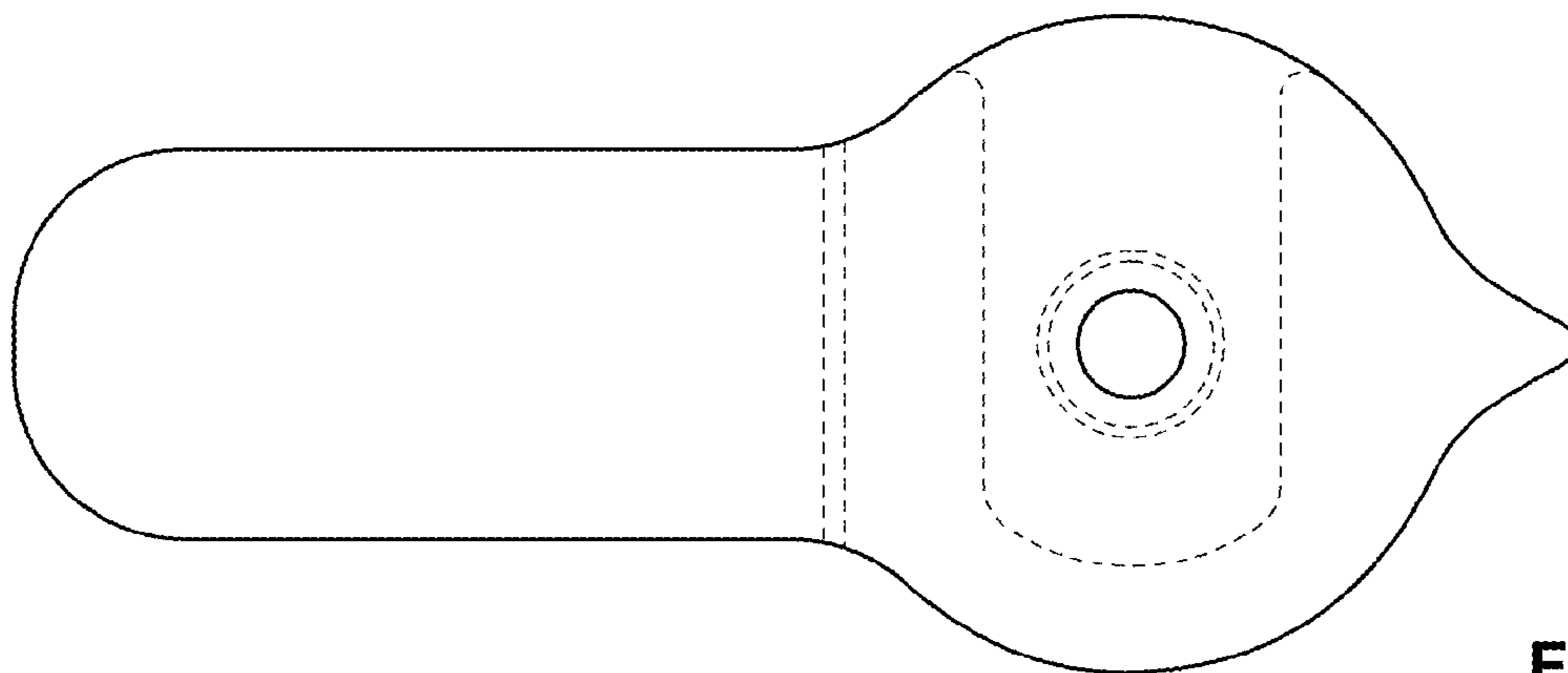


FIG. 20

FIG. 21

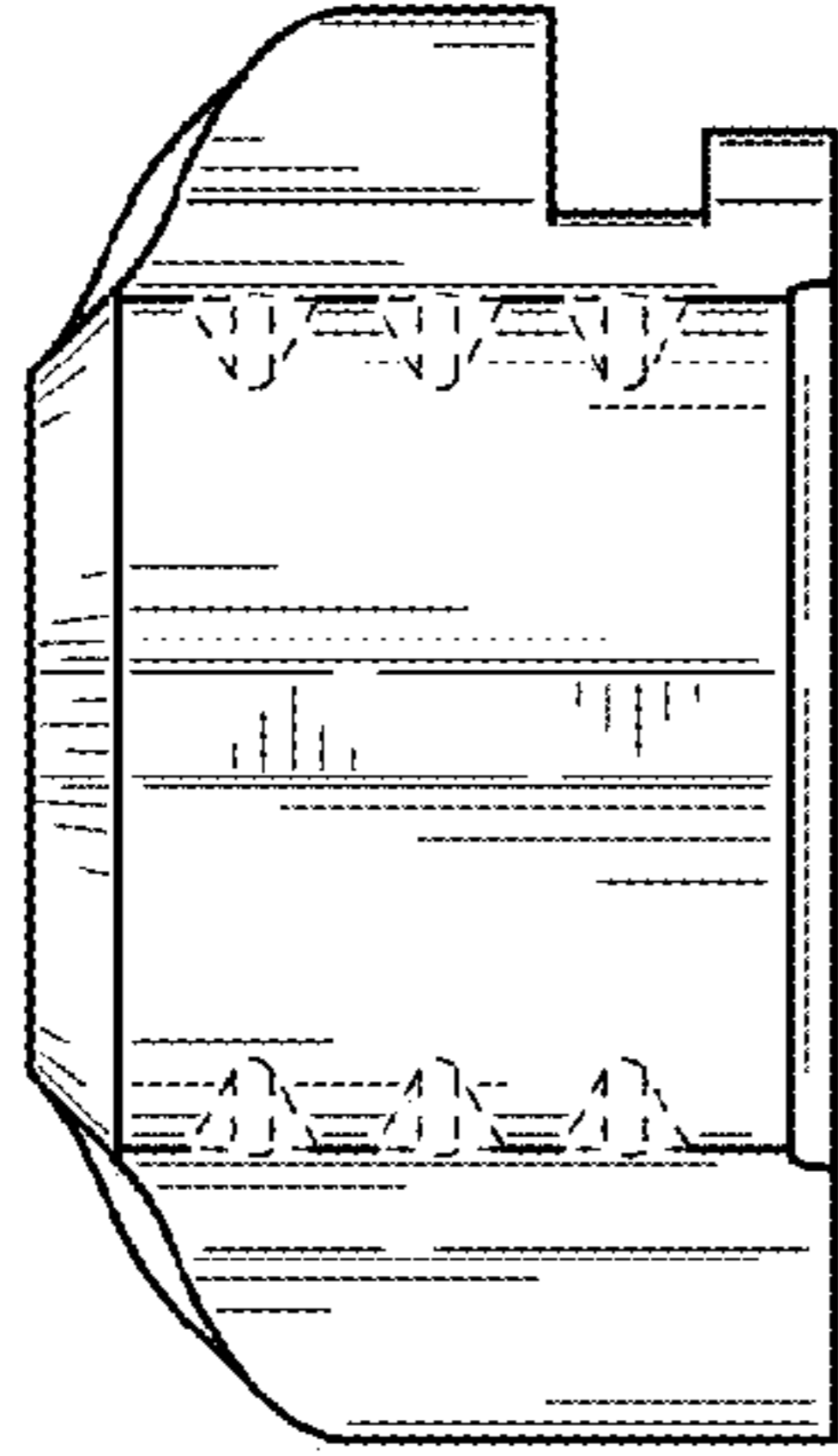


FIG. 22

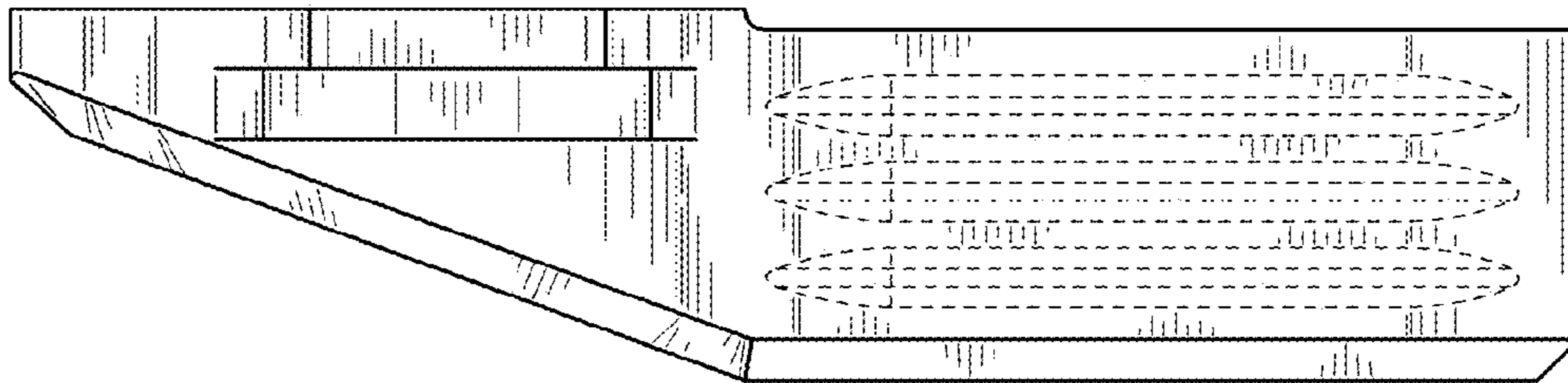
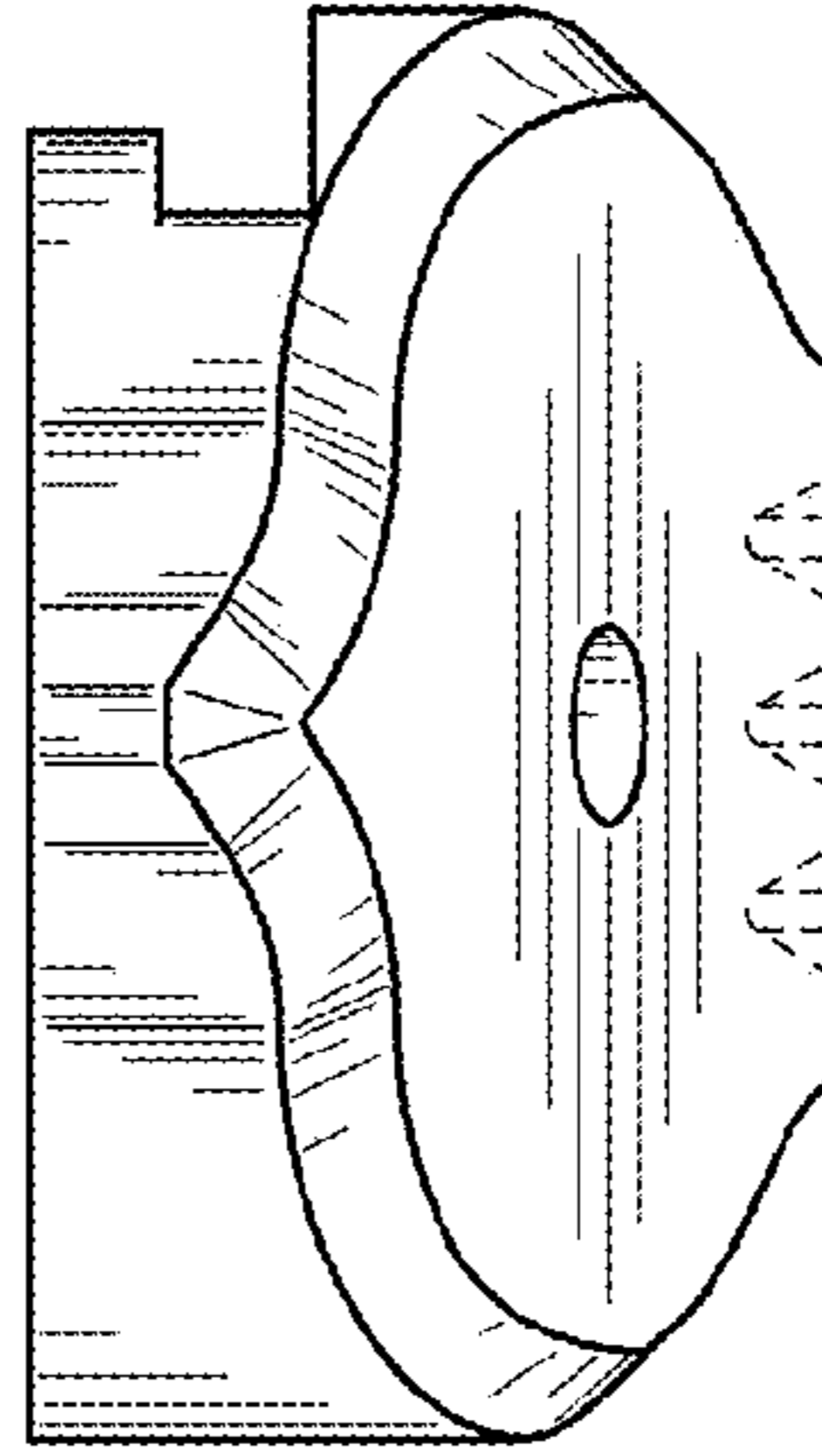


FIG. 23

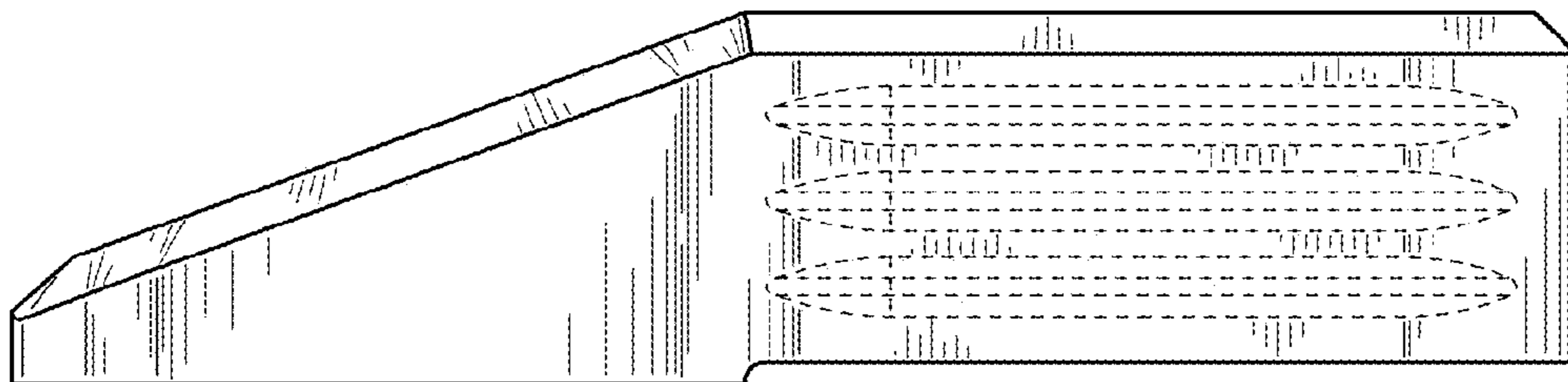


FIG. 24



FIG. 25

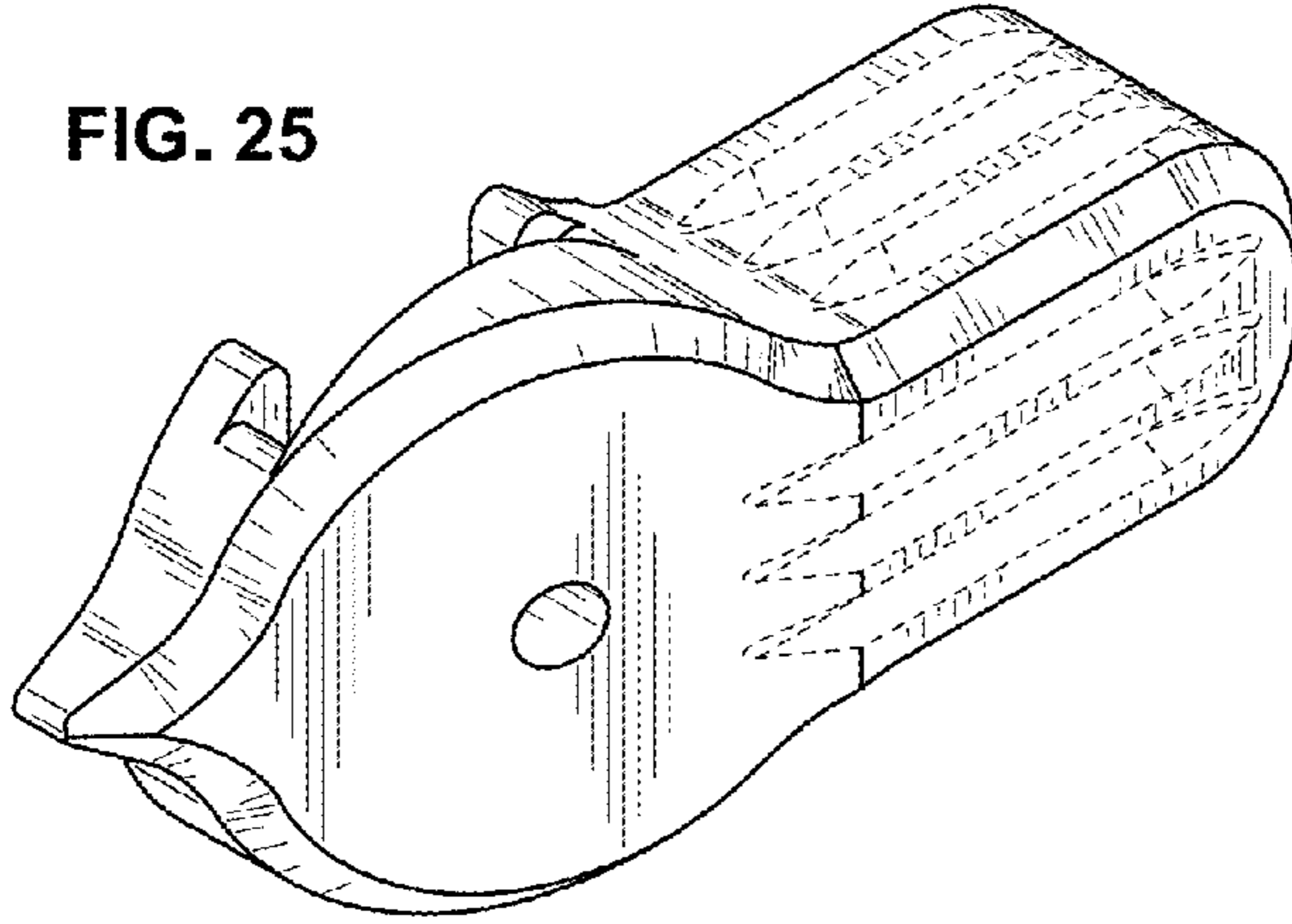


FIG. 26

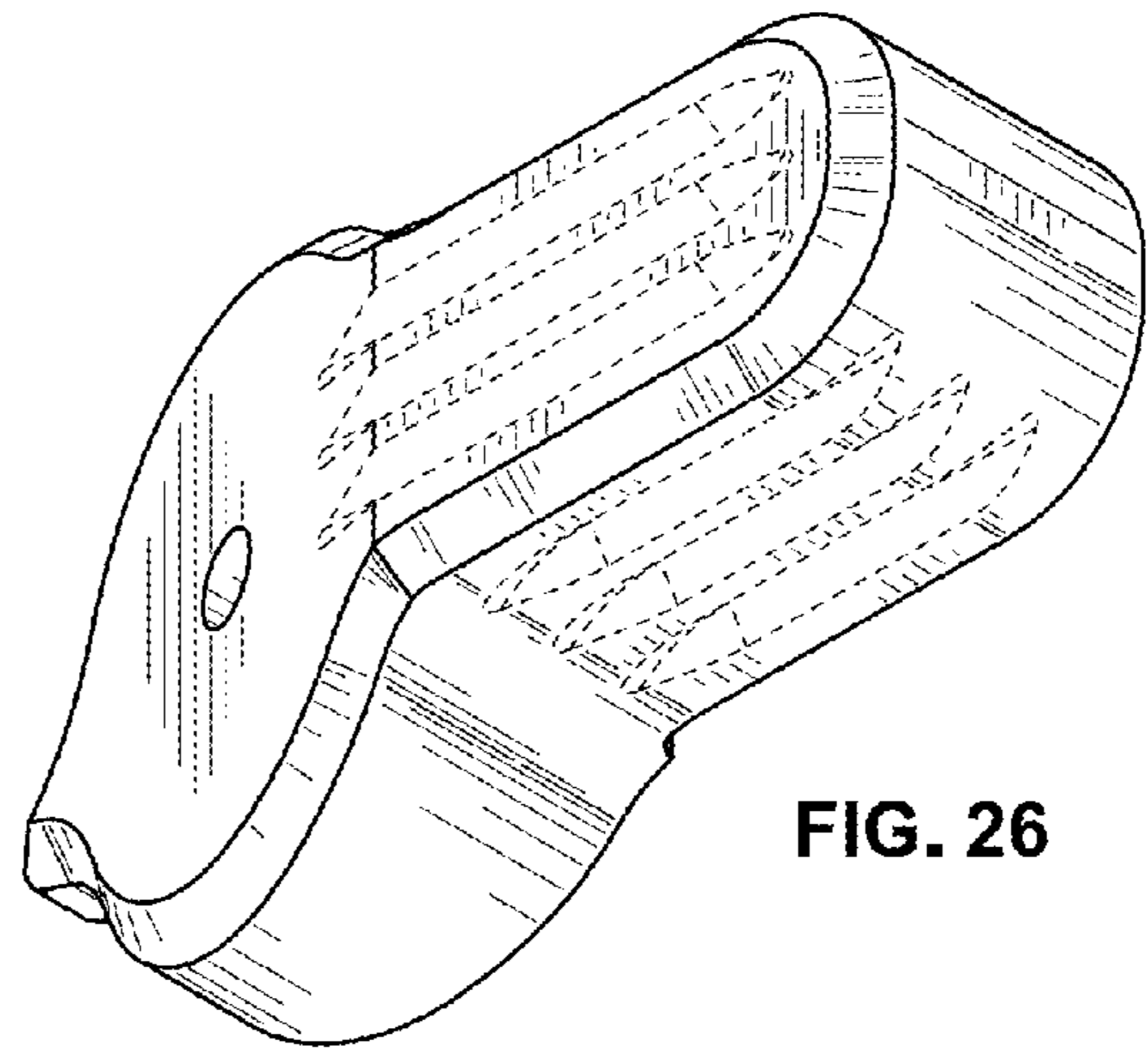


FIG. 27

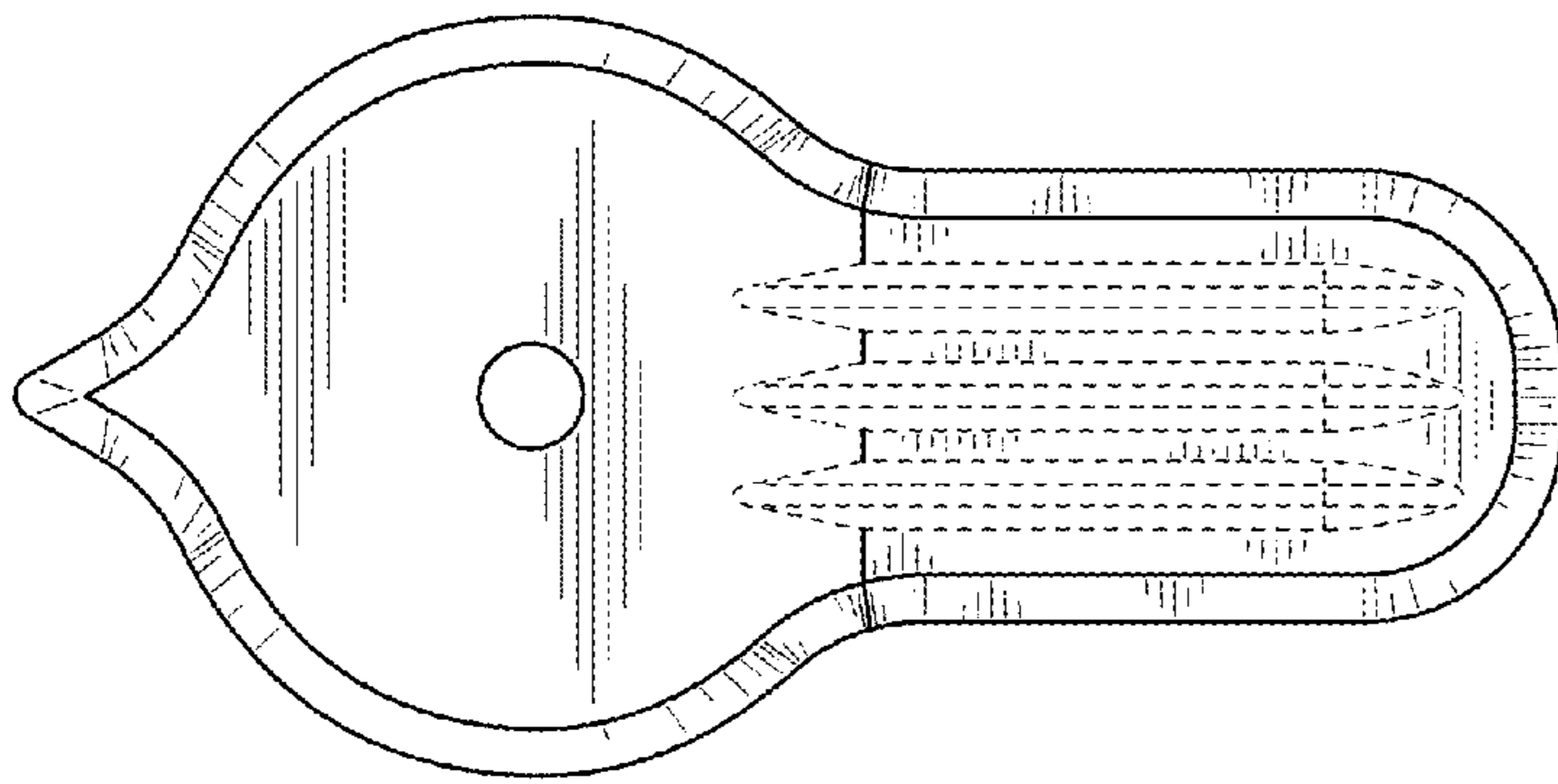


FIG. 28

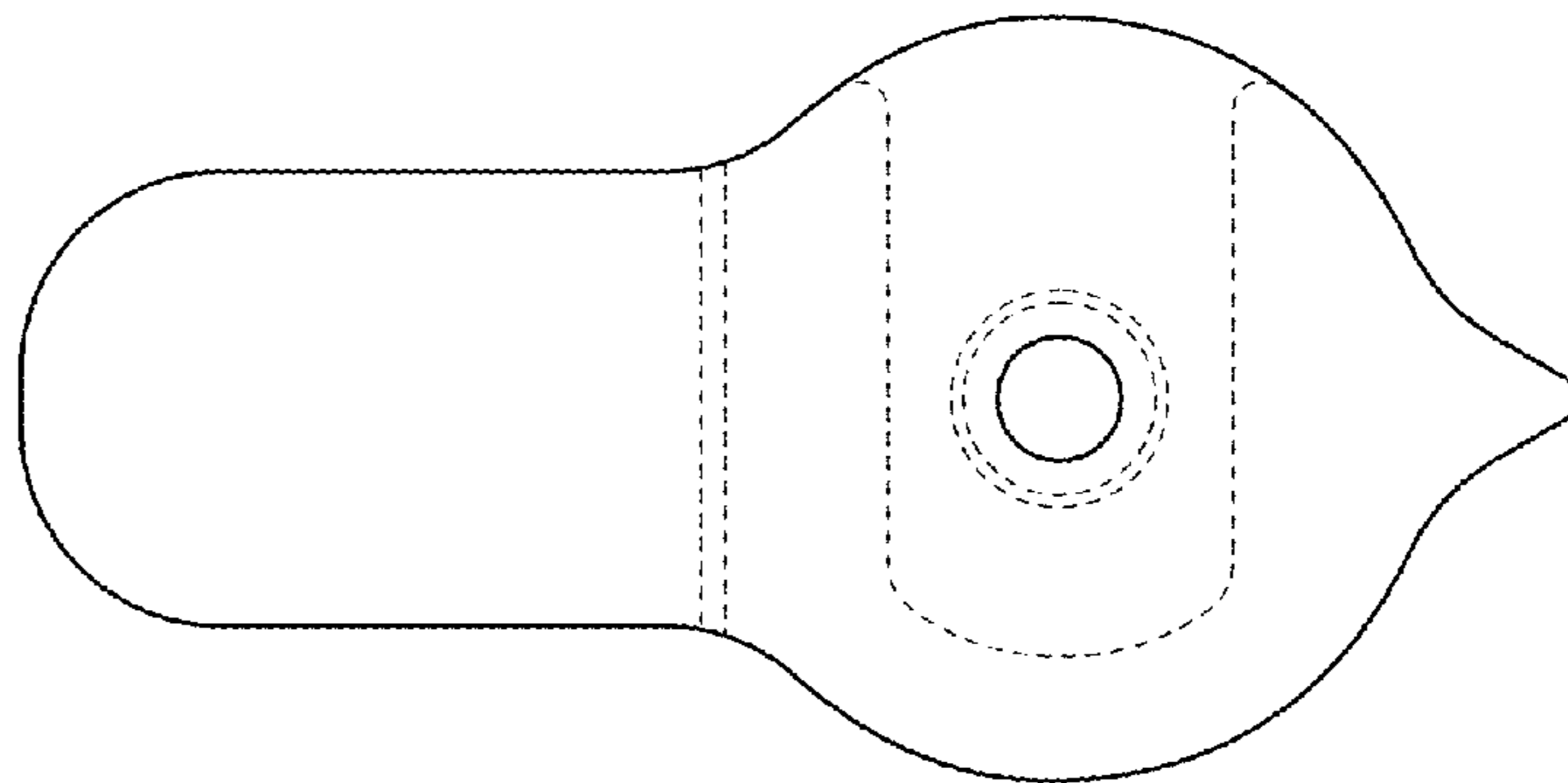


FIG. 29

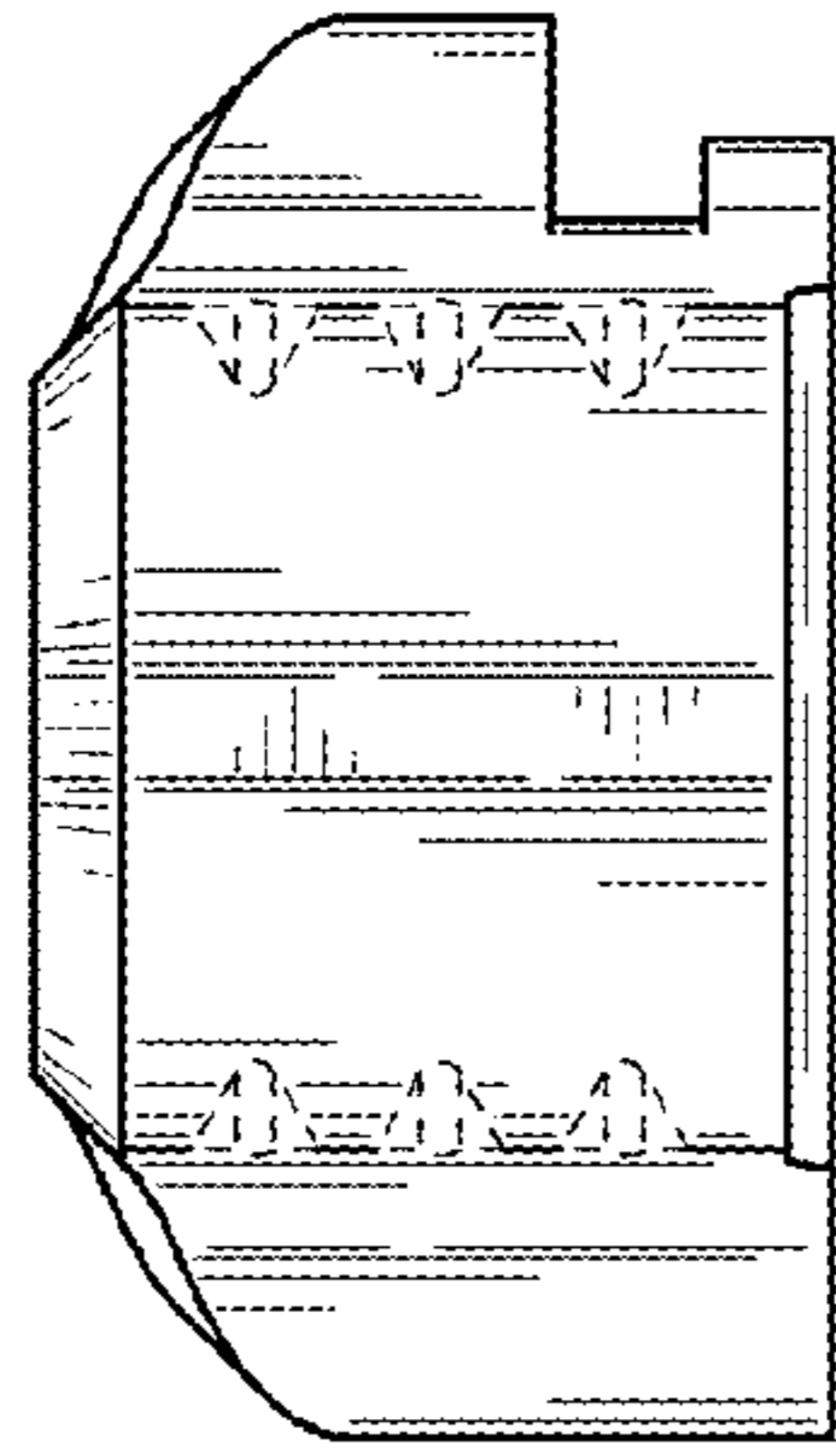


FIG. 30

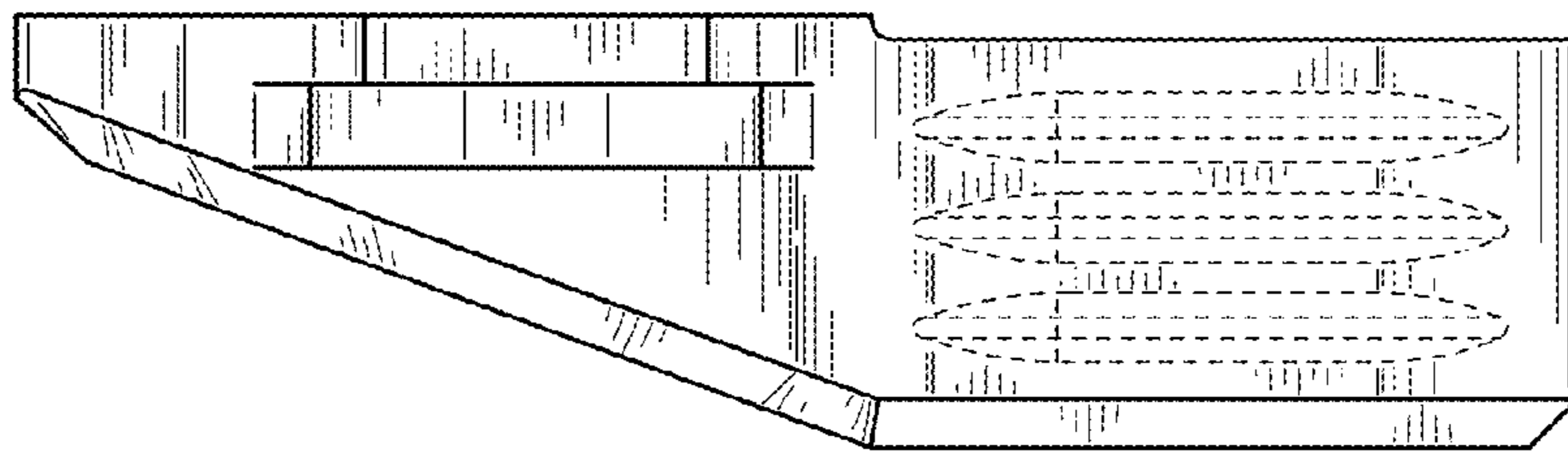
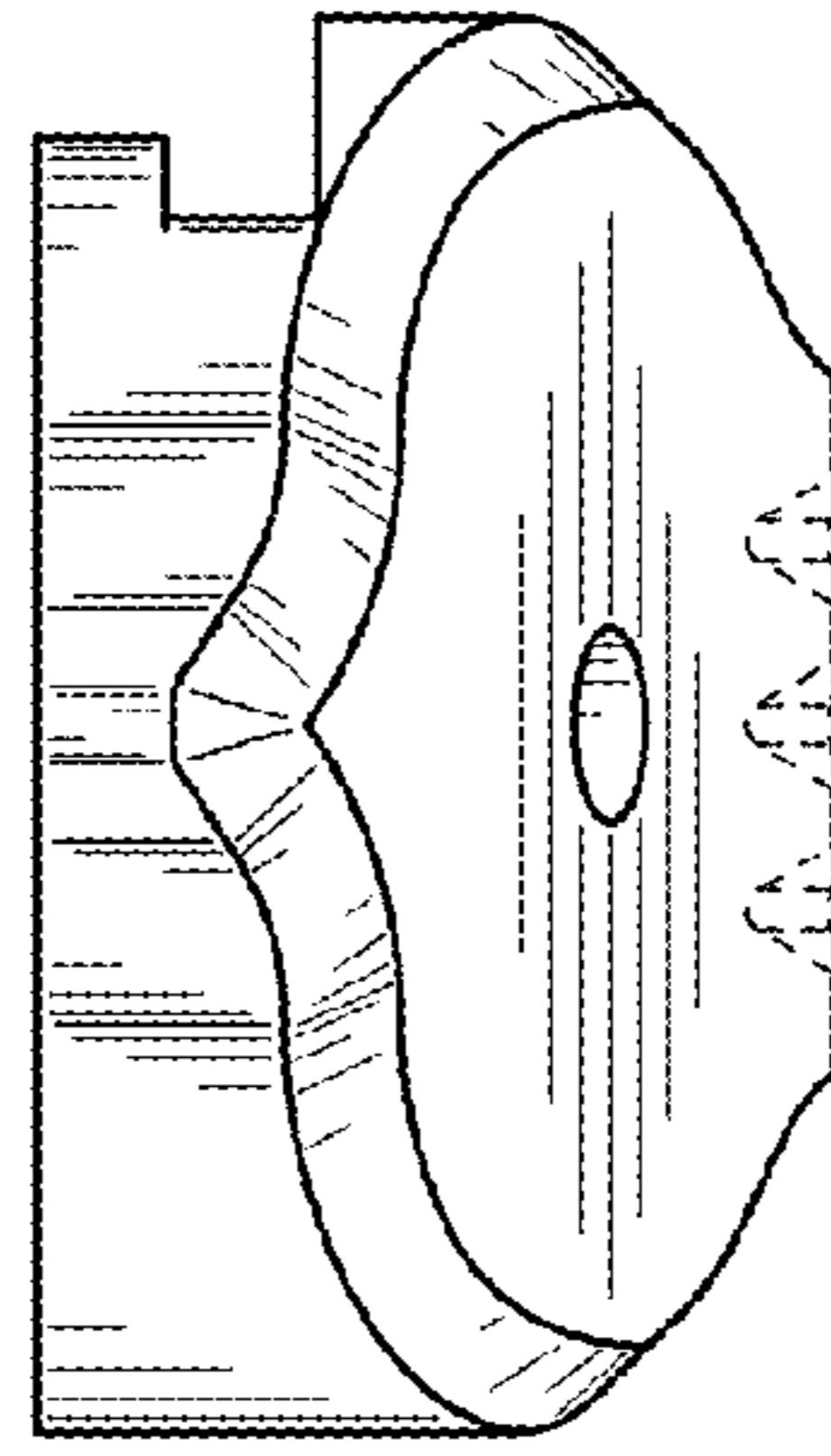


FIG. 31

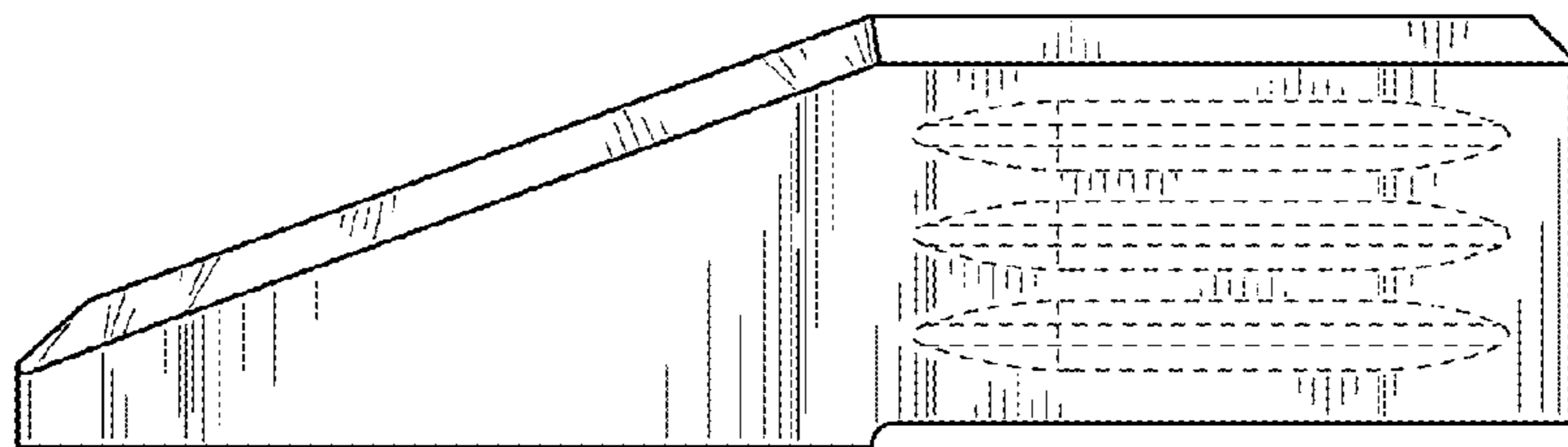


FIG. 32