



US00D880641S

(12) **United States Design Patent**
Haugen

(10) **Patent No.:** **US D880,641 S**

(45) **Date of Patent:** **** Apr. 7, 2020**

(54) **RIFLESTOCK**

(71) Applicant: **GRS Riflestocks AS**, Hornindal (NO)

(72) Inventor: **Håvard Haugen**, Hornindal (NO)

(73) Assignee: **GRS RIFLESTOCKS AS**, Hornindal (NO)

(**) Term: **15 Years**

(21) Appl. No.: **29/659,874**

(22) Filed: **Aug. 13, 2018**

(30) **Foreign Application Priority Data**

Feb. 12, 2018 (NO) 20180141

(51) **LOC (12) Cl.** **22-01**

(52) **U.S. Cl.**
USPC **D22/108**

(58) **Field of Classification Search**
USPC D22/103, 108; D21/572-573
See application file for complete search history.

(56) **References Cited**

U.S. PATENT DOCUMENTS

D610,218 S * 2/2010 Barrett D22/103
D626,618 S * 11/2010 Peterson D22/103

D629,062 S * 12/2010 Peterson D22/103
D641,825 S * 7/2011 Gridelet D22/103
D645,532 S * 9/2011 Peterson D22/103
D670,783 S * 11/2012 Barrett D22/103
D738,965 S * 9/2015 Yang D21/570
D827,753 S * 9/2018 Lessard D22/103
10,317,165 B2 * 6/2019 Saltzman F41C 23/08

* cited by examiner

Primary Examiner — Michael A. Pratt

(74) *Attorney, Agent, or Firm* — Finnegan, Henderson, Farabow, Garrett & Dunner LLP

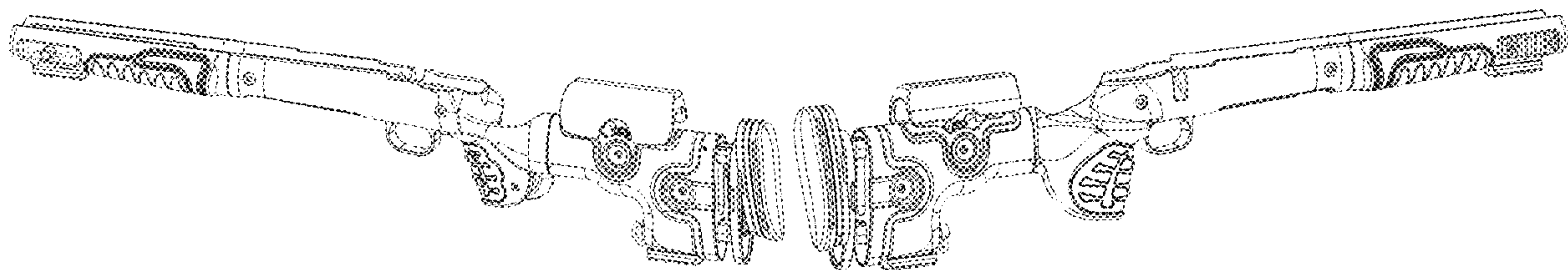
(57) **CLAIM**

The ornamental design for a riflestock, as shown and described.

DESCRIPTION

FIG. 1 is a top, rear, right perspective view of a riflestock, showing the new design;
FIG. 2 is a top, rear, left perspective view thereof;
FIG. 3 is a top, front, left perspective view thereof;
FIG. 4 is a right side view thereof;
FIG. 5 is a left side view thereof;
FIG. 6 is an enlarged rear view thereof;
FIG. 7 is an enlarged front view thereof;
FIG. 8 is a top plan view thereof; and,
FIG. 9 is a bottom plan view thereof.

1 Claim, 9 Drawing Sheets



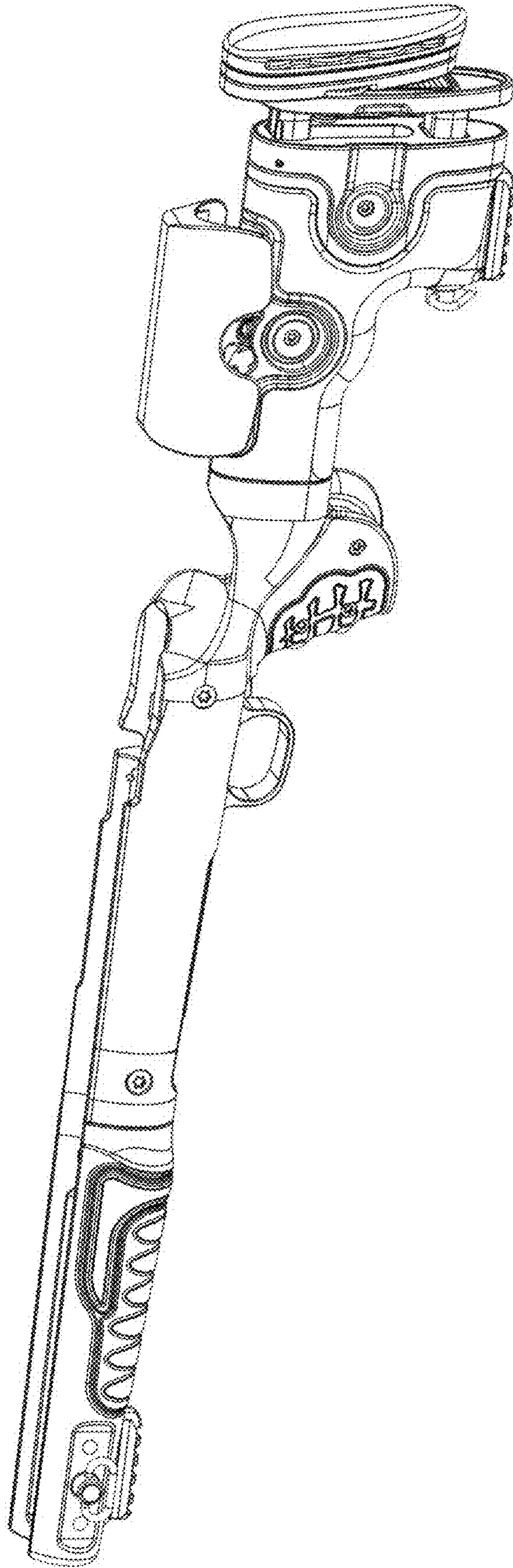


Fig. 1

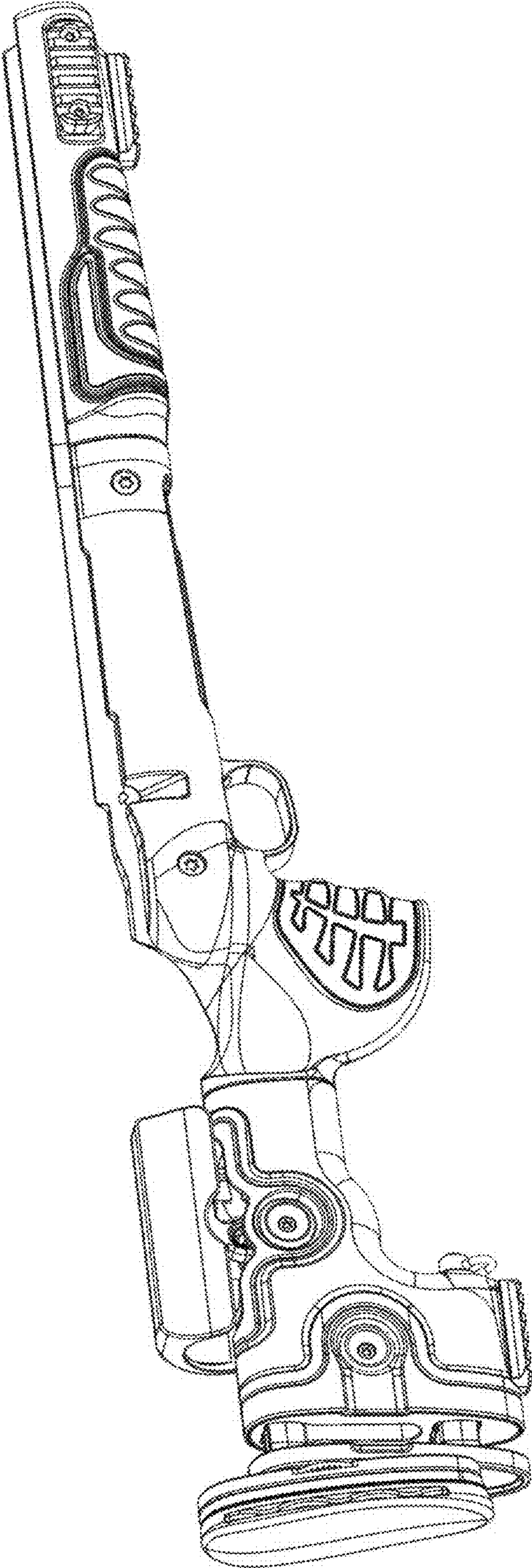


Fig. 2

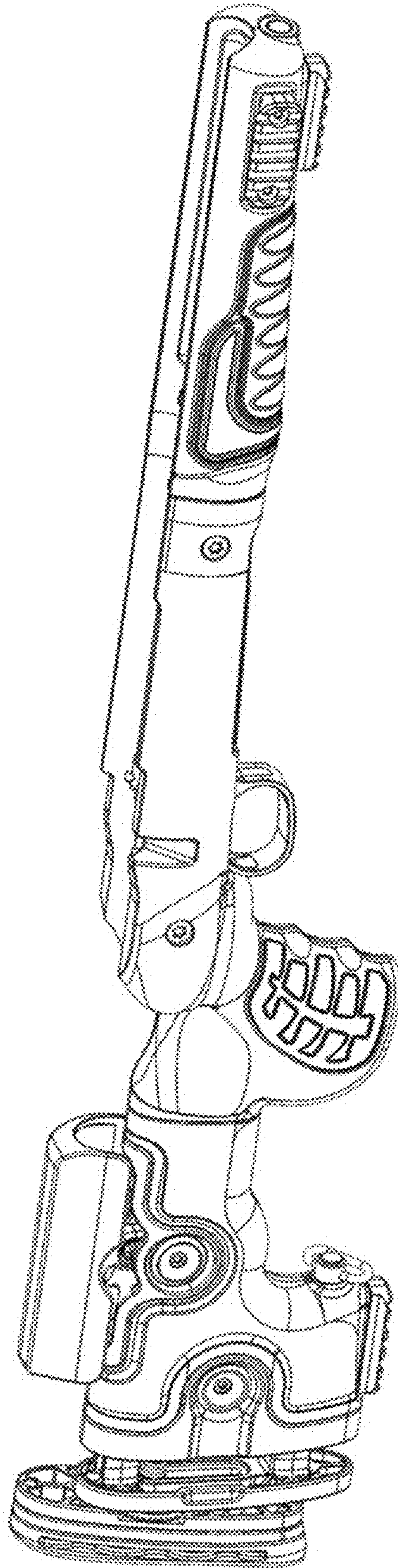


Fig. 3

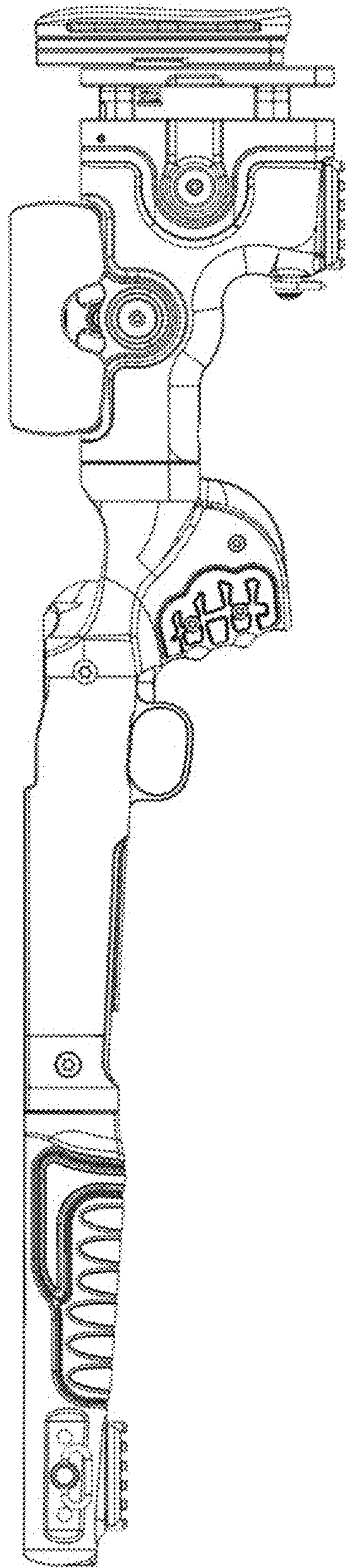


Fig. 4

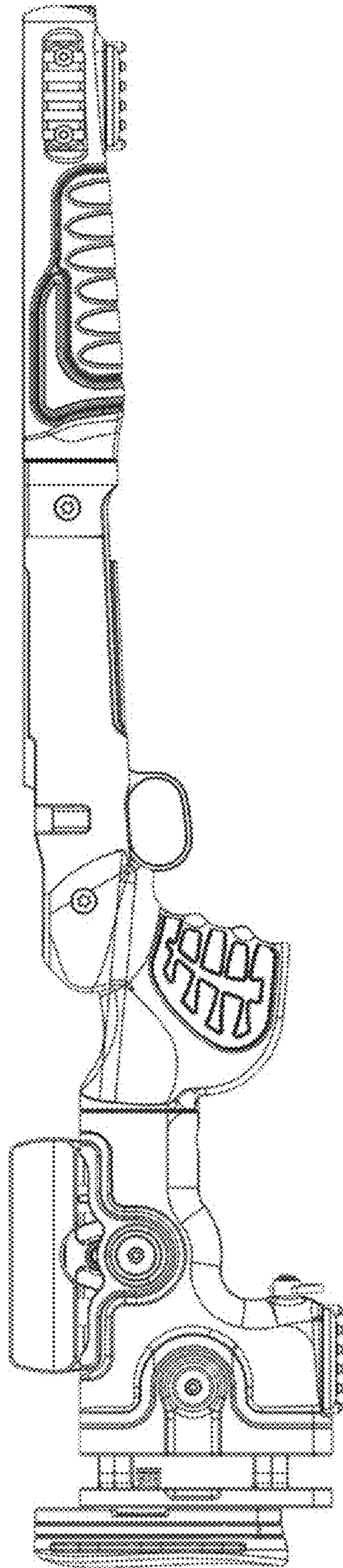


Fig. 5

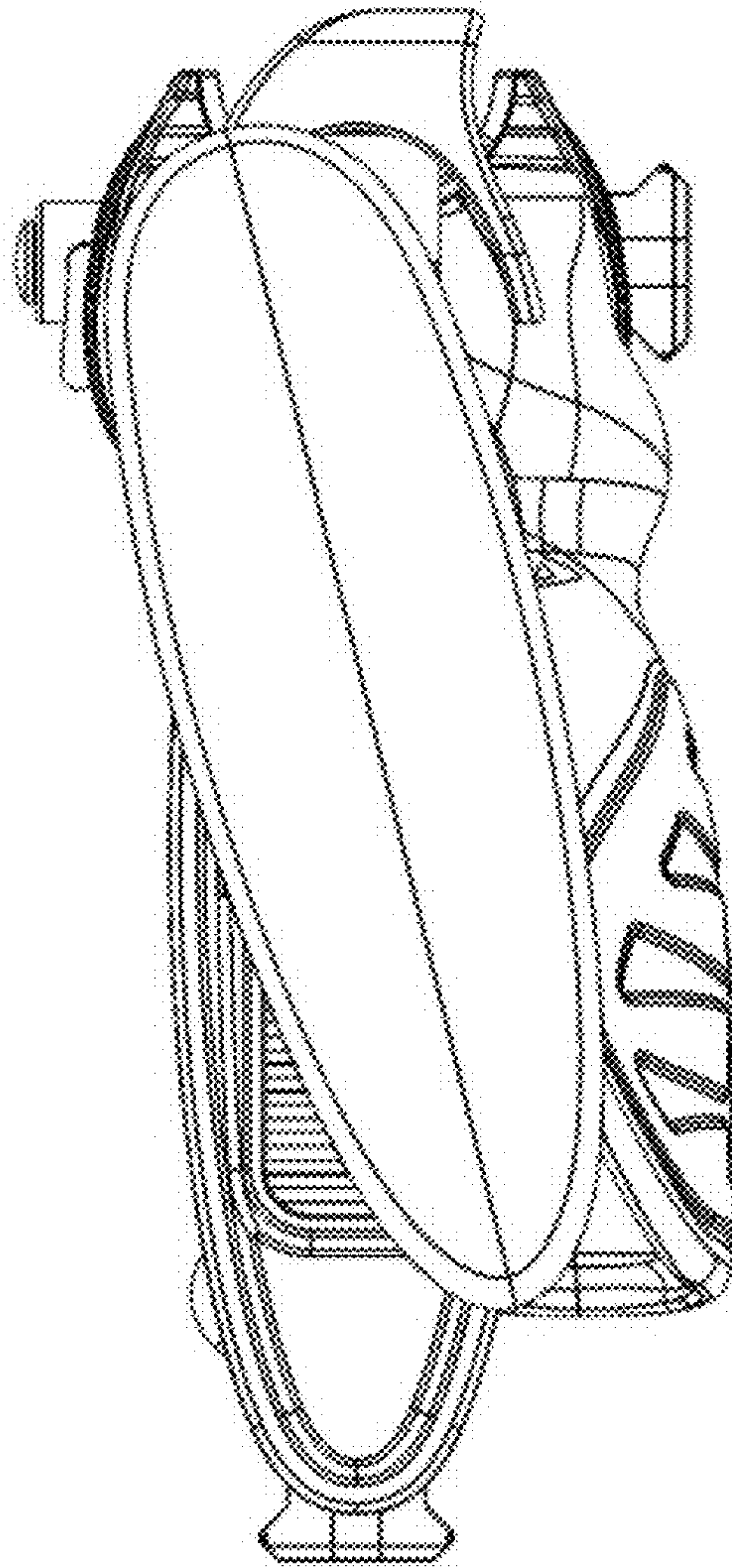


Fig. 6

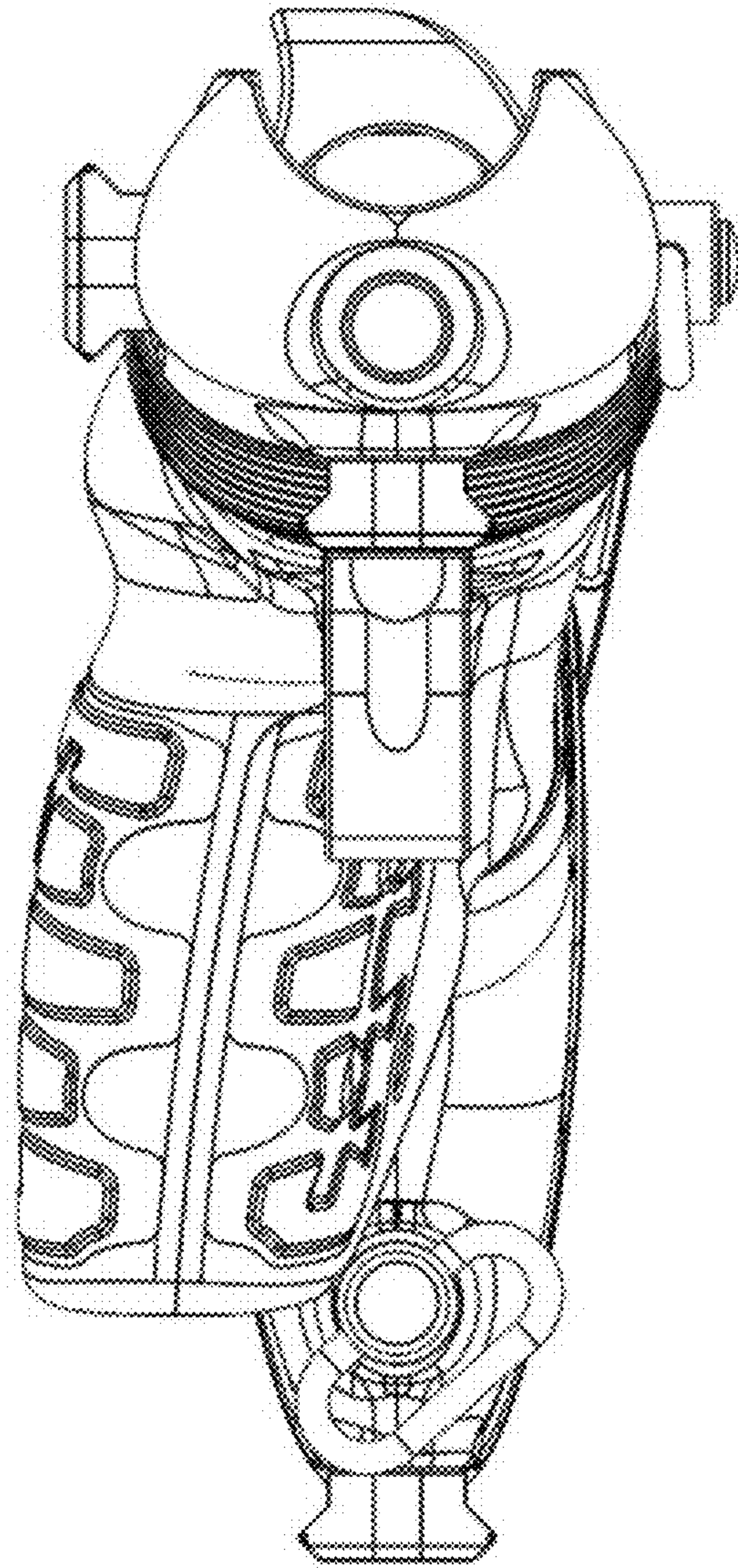


Fig. 7

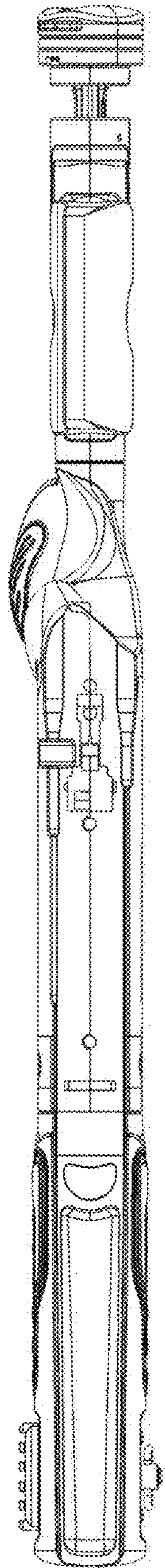


Fig. 8

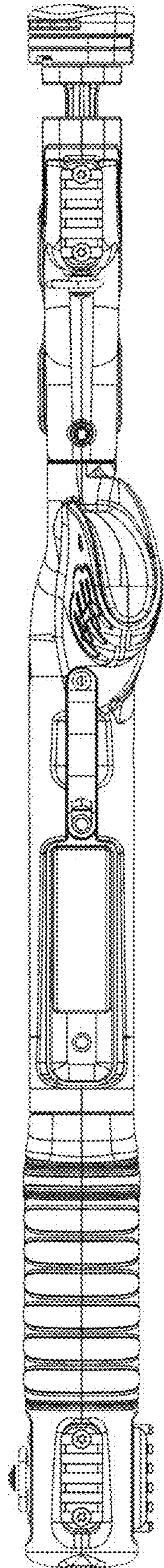


Fig. 9