

US00D880637S

(12) **United States Design Patent**
Bandini et al.

(10) **Patent No.:** **US D880,637 S**

(45) **Date of Patent:** **** Apr. 7, 2020**

(54) **GUN, COMPRESSED AIR GUN OR GUN MODEL**

(71) Applicant: **Arsenal Firearms Finance Limited**,
Road Town, Tortola Aleman (VG)

(72) Inventors: **Nicola Bandini**, Siena (IT); **Dimitry Streshinskiy**, Paris (FR)

(73) Assignee: **Arsenal Firearms Finance Limited**,
Road Town (VG)

(**) Term: **15 Years**

(21) Appl. No.: **29/596,526**

(22) Filed: **Mar. 9, 2017**

Related U.S. Application Data

(62) Division of application No. 29/440,238, filed on Dec. 20, 2012.

(51) **LOC (12) Cl.** **22-01**

(52) **U.S. Cl.**
USPC **D22/104**

(58) **Field of Classification Search**
USPC D22/104; D21/572-575
CPC F41C 3/14; F41C 3/16; F41C 3/04
See application file for complete search history.

(56) **References Cited**

U.S. PATENT DOCUMENTS

4,019,273	A *	4/1977	Kibler	F41A 19/64 42/106
4,521,985	A *	6/1985	Smith	F41A 35/06 42/7
4,580,484	A *	4/1986	Moore	F41A 3/44 42/77
5,090,147	A *	2/1992	Pastor	F41A 17/56 42/70.05

7,318,294	B2 *	1/2008	Zimmermann	F41A 5/04 42/50
7,401,432	B2 *	7/2008	Perry	F41A 11/00 42/108
7,703,232	B1 *	4/2010	Johns	F41A 21/00 42/108
7,958,661	B2 *	6/2011	Strayer	F41A 35/06 42/49.01
8,127,481	B2 *	3/2012	Rozum	F41A 17/00 42/70.01
8,312,658	B2 *	11/2012	Lippard	F41A 17/56 42/69.03
2013/0205632	A1 *	8/2013	Kohout	F41C 3/00 42/8
2013/0283660	A1 *	10/2013	Matthews	F41G 1/30 42/113

* cited by examiner

Primary Examiner — Michael A. Pratt

(74) *Attorney, Agent, or Firm* — Kilyk & Bowersox P.L.L.C.

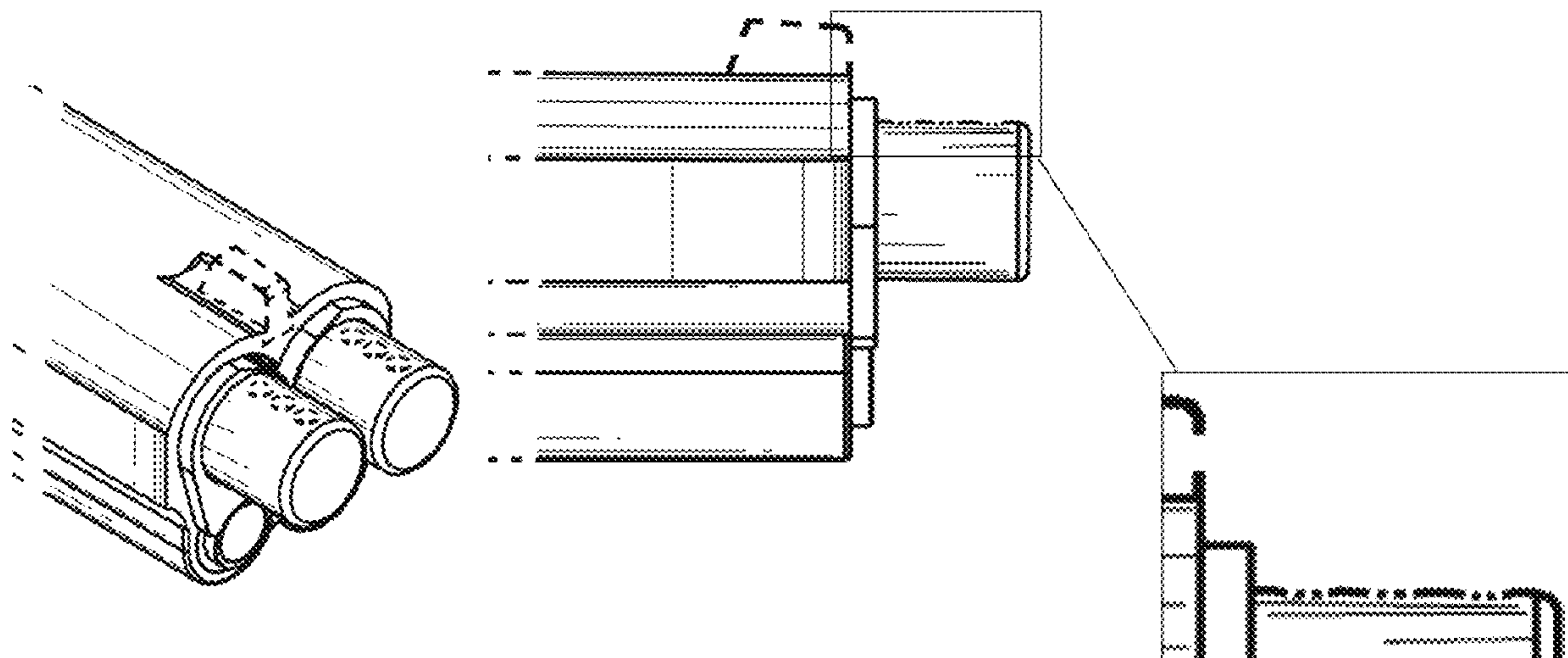
(57) **CLAIM**

The design related to gun, compressed air gun or gun model, as shown and described.

DESCRIPTION

FIG. 1 is a portional front perspective view of the gun showing a new design for this portion alone; FIG. 2 is a portional rear perspective view of the gun of FIG. 1 showing a new design for this portion alone; FIG. 3 is a portional left side view of the gun of FIG. 1 showing a new design for this portion alone; and, FIG. 4 is a portional right side view of the gun of FIG. 1 showing a new design for this portion alone. The broken lines shown are included for the purpose of illustrating the unclaimed portions of the article and form no part of the claimed design.

1 Claim, 26 Drawing Sheets



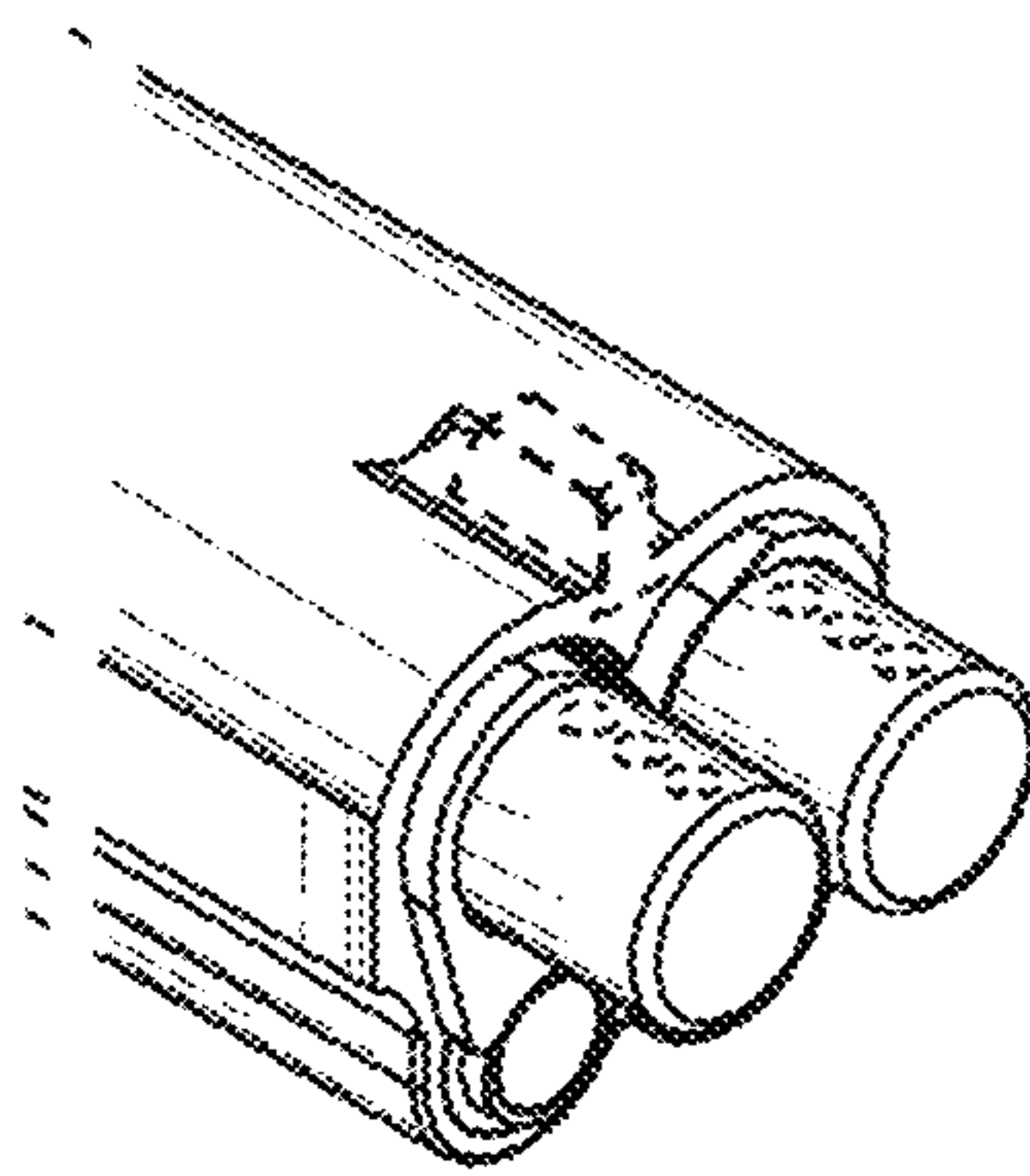


FIG. 1

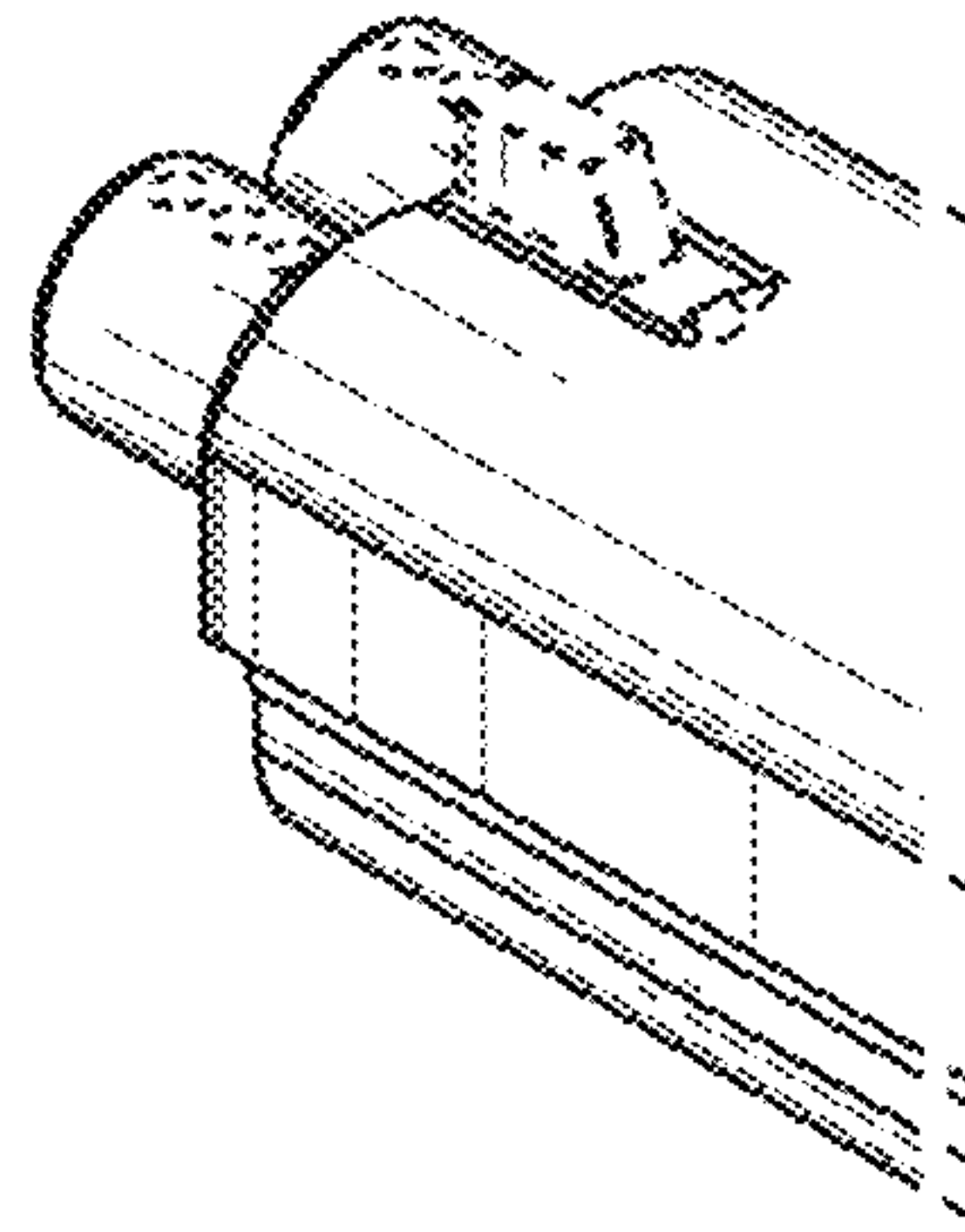


FIG. 2

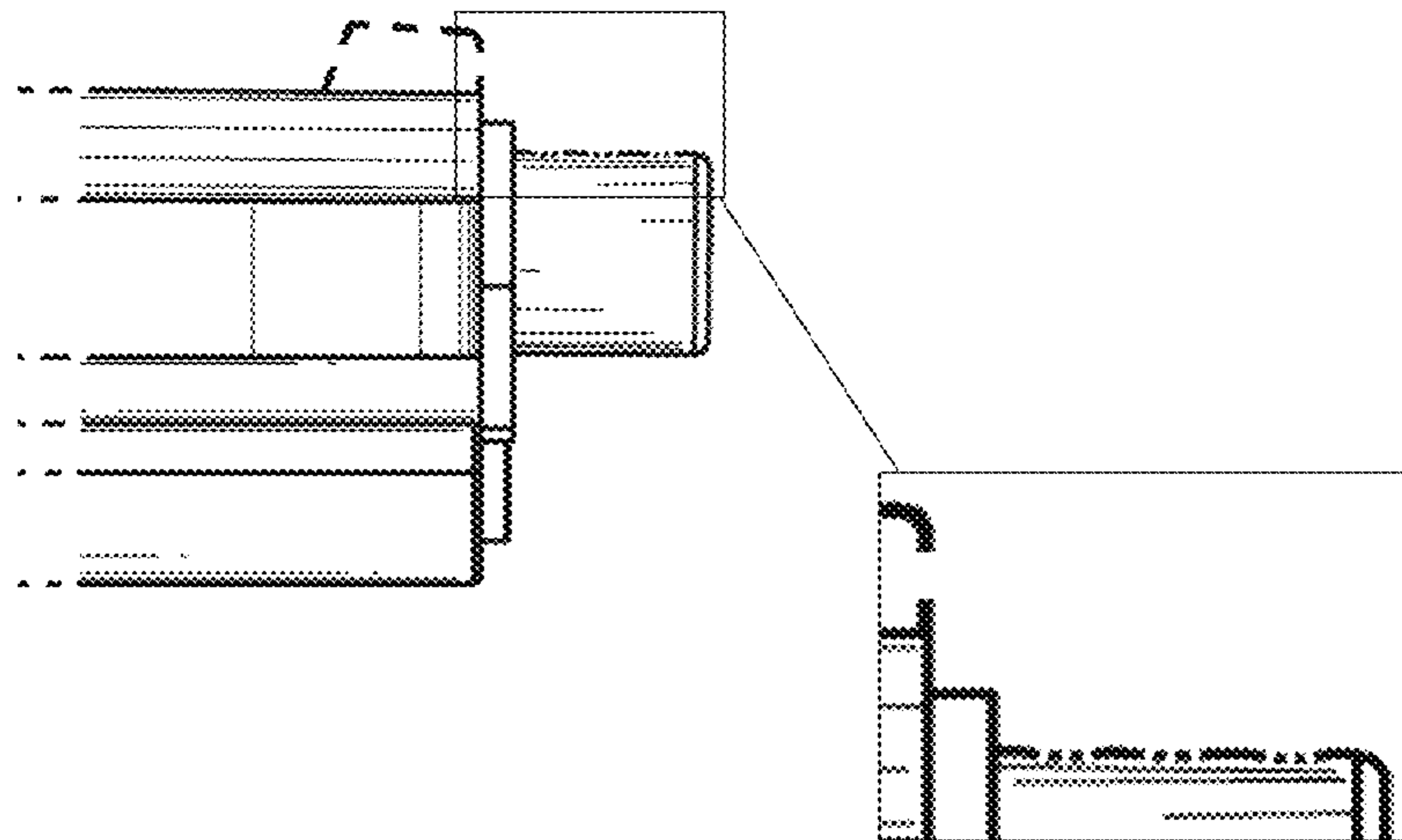


FIG. 3

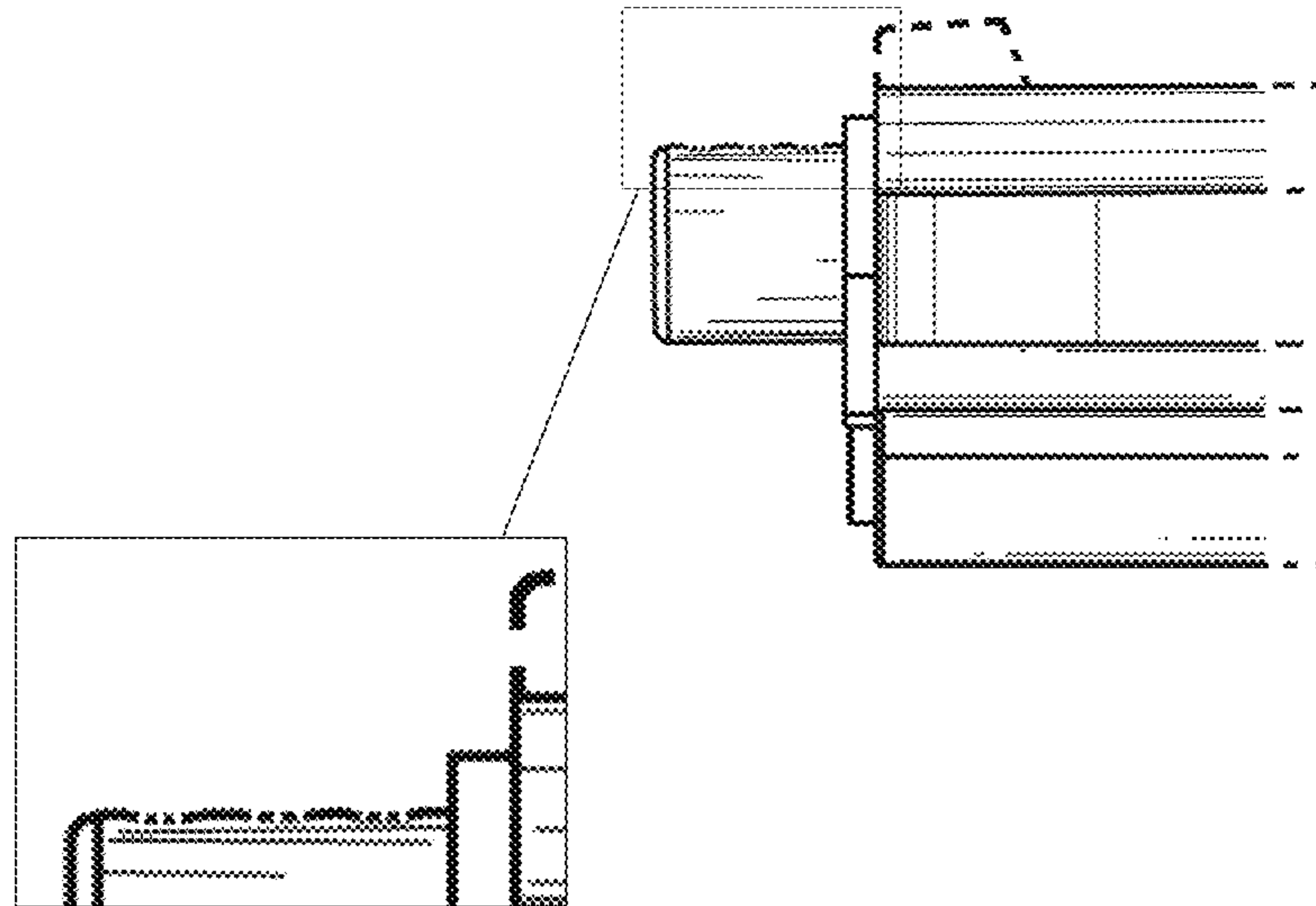


FIG. 4

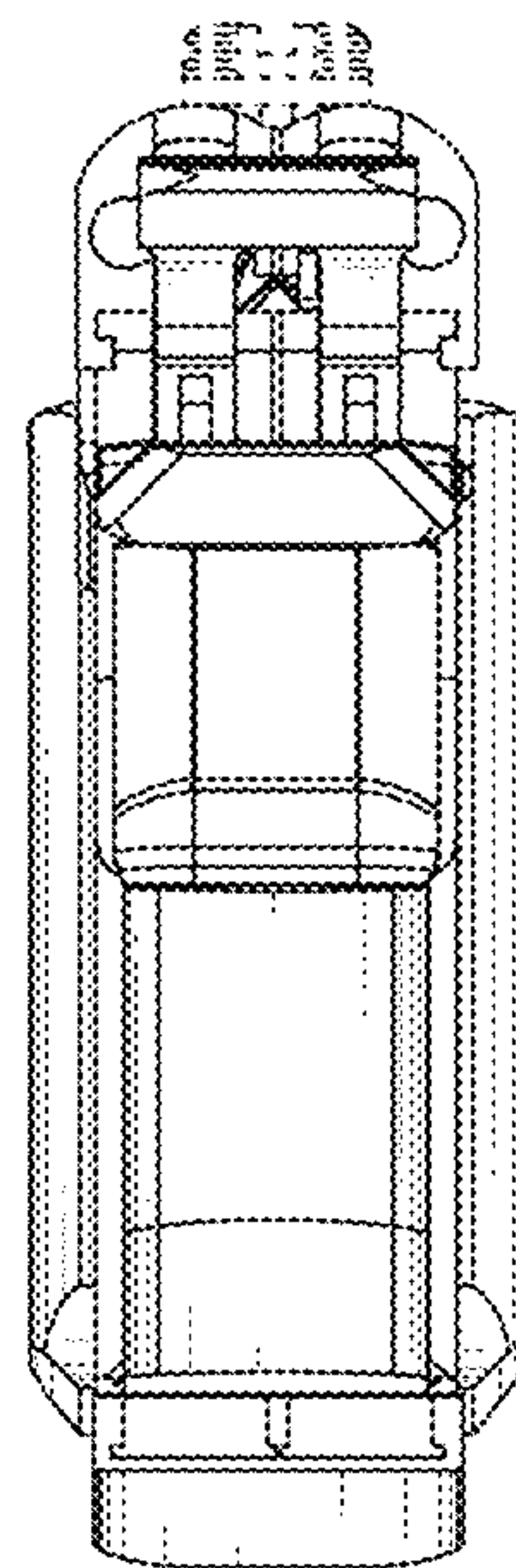


FIG. 5

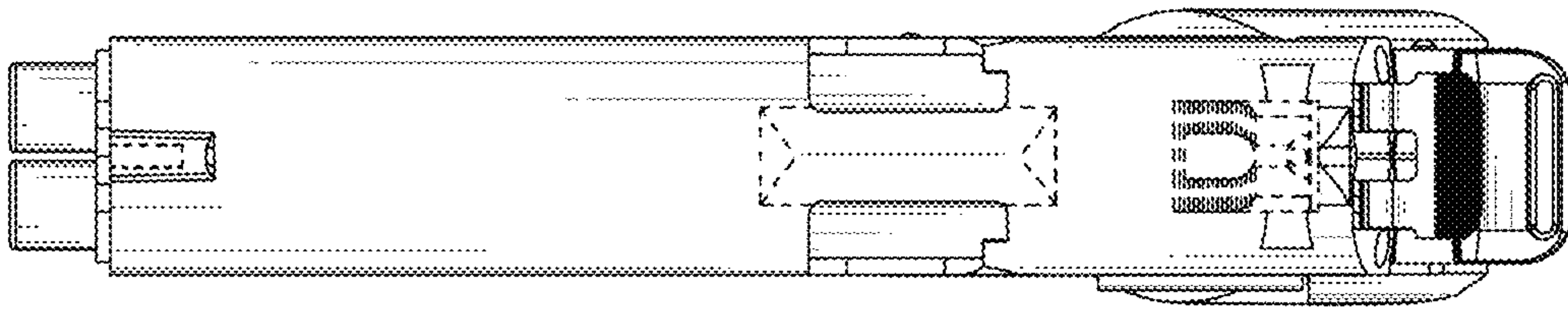


FIG. 6

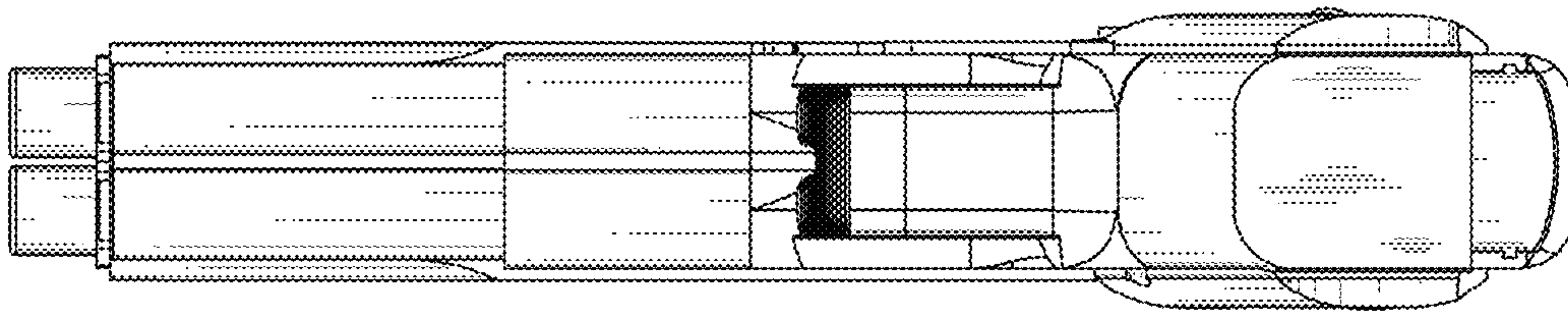


FIG. 7

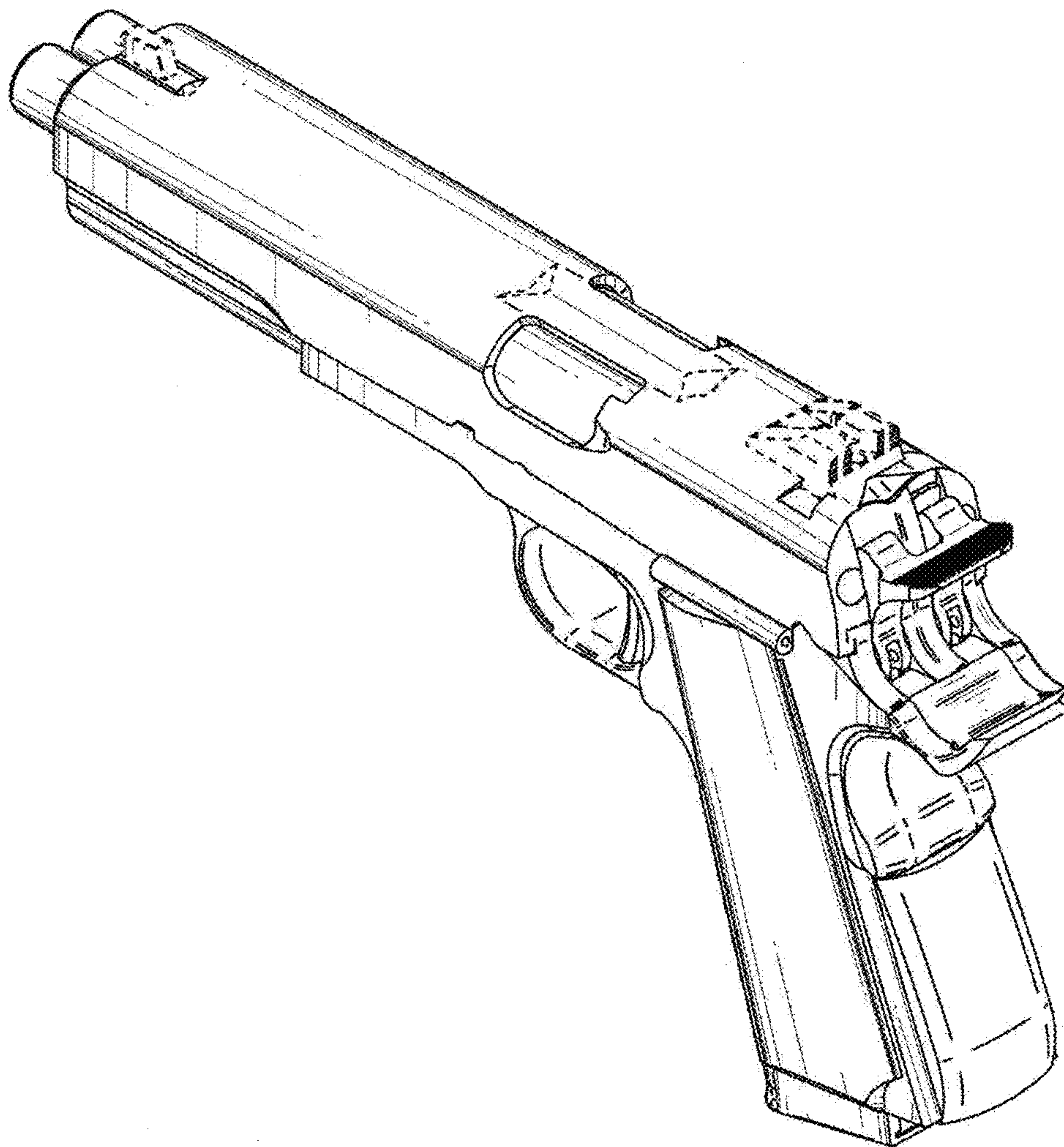


FIG. 8

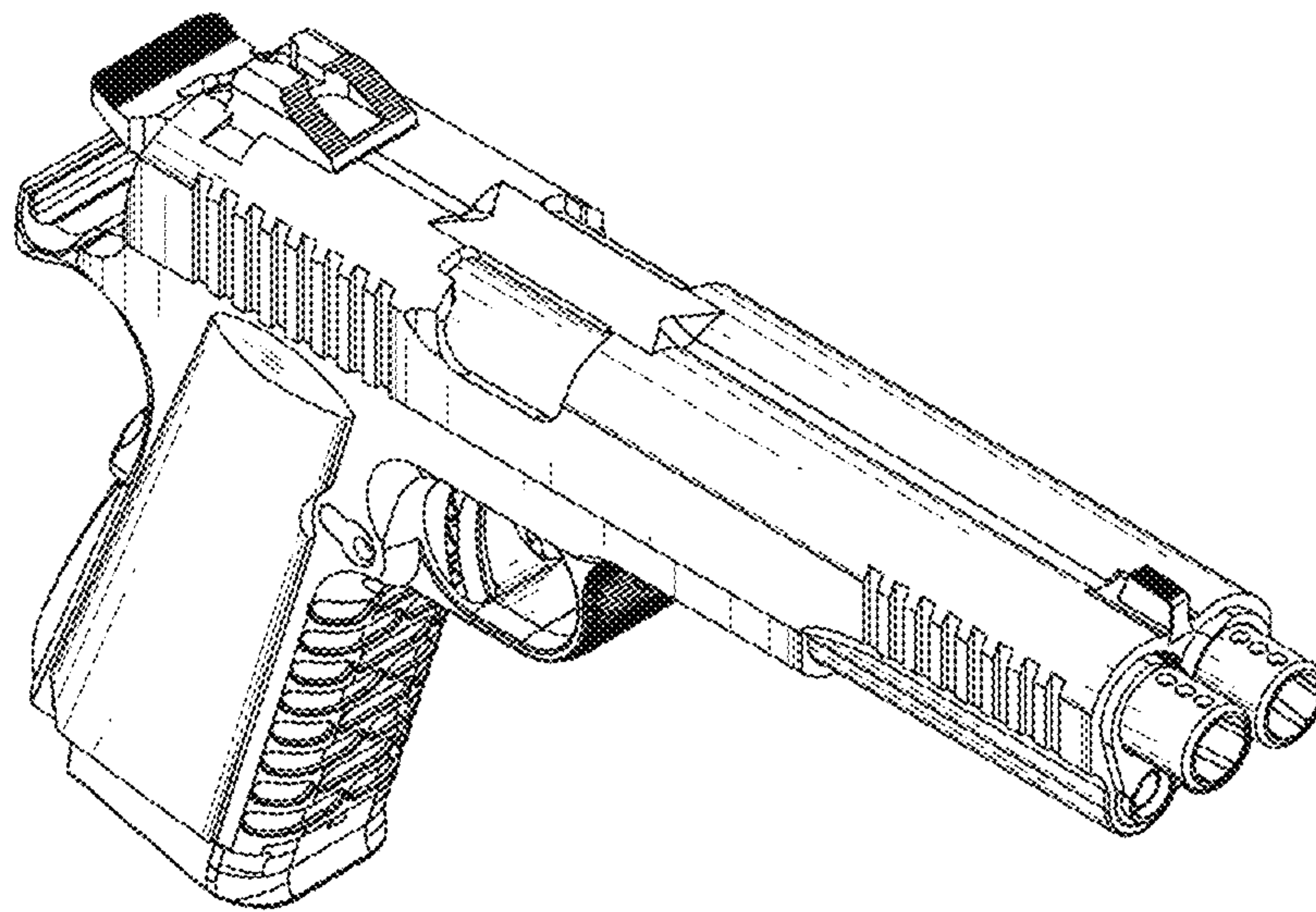


FIG. 9

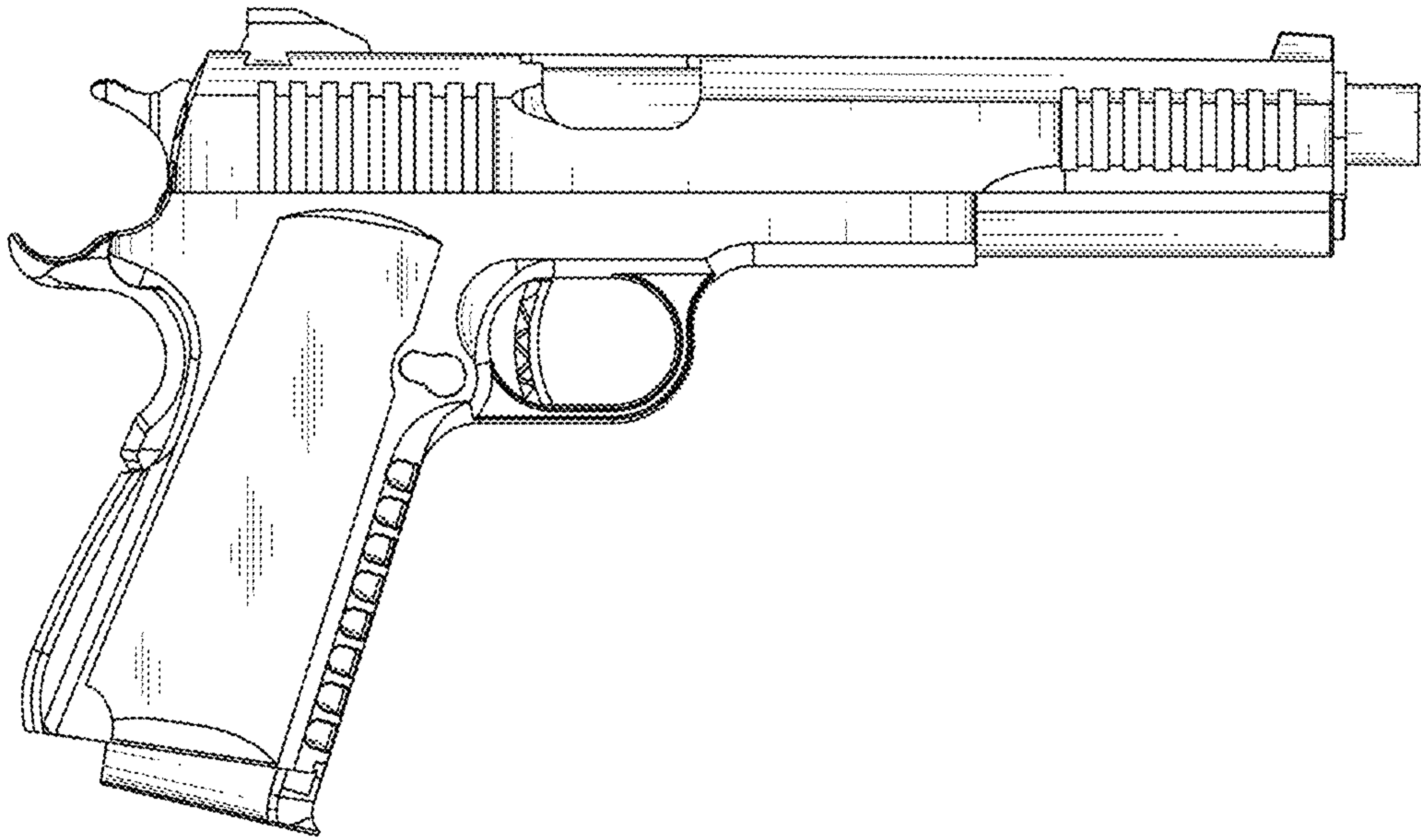


FIG. 10

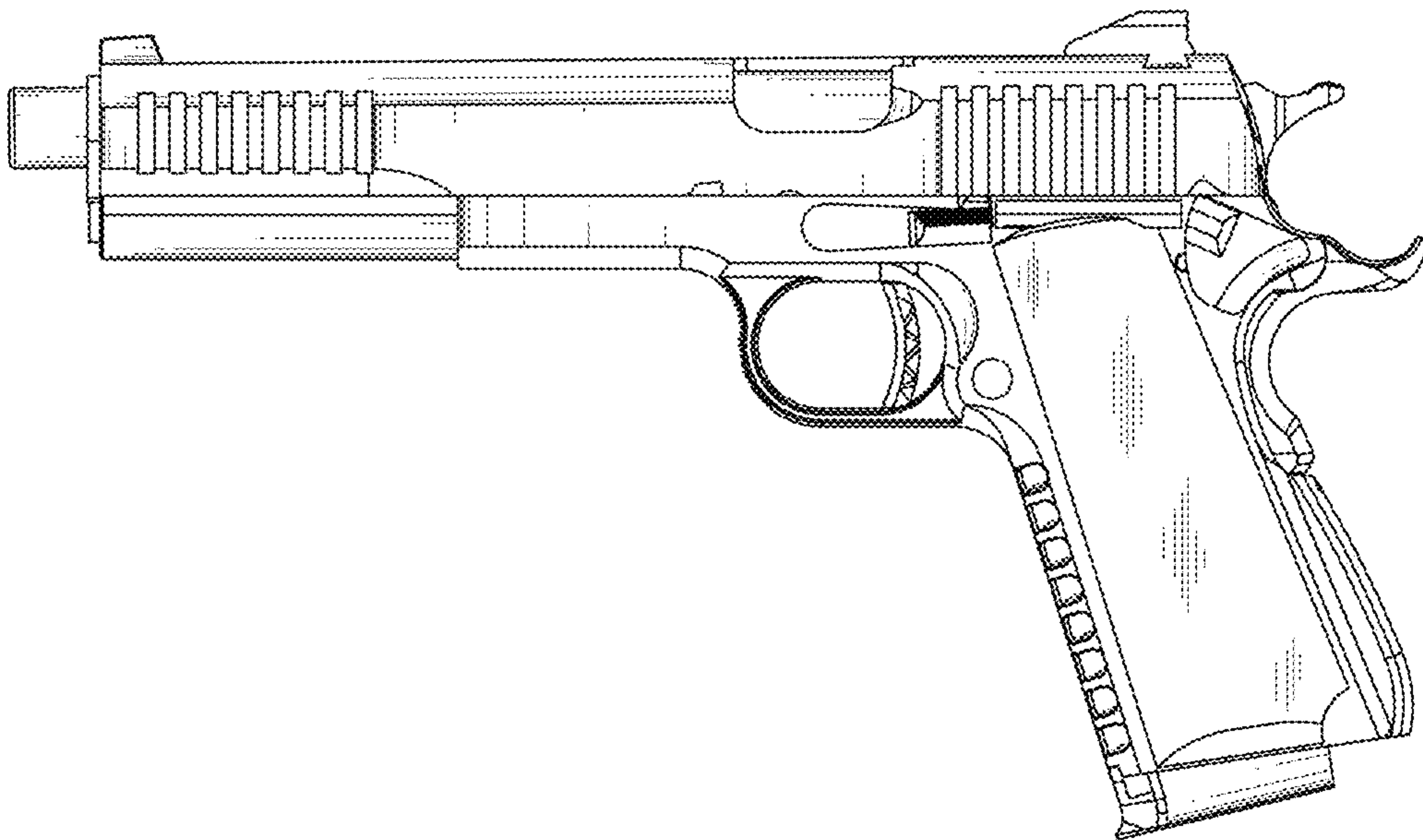


FIG. 11

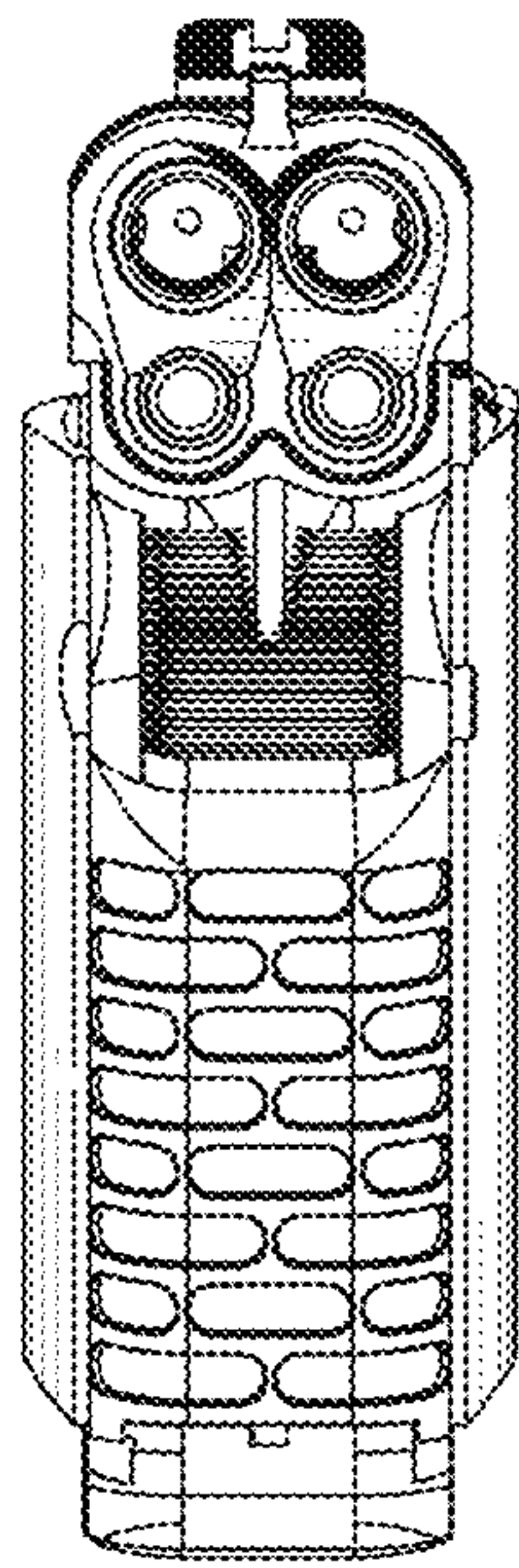


FIG. 12

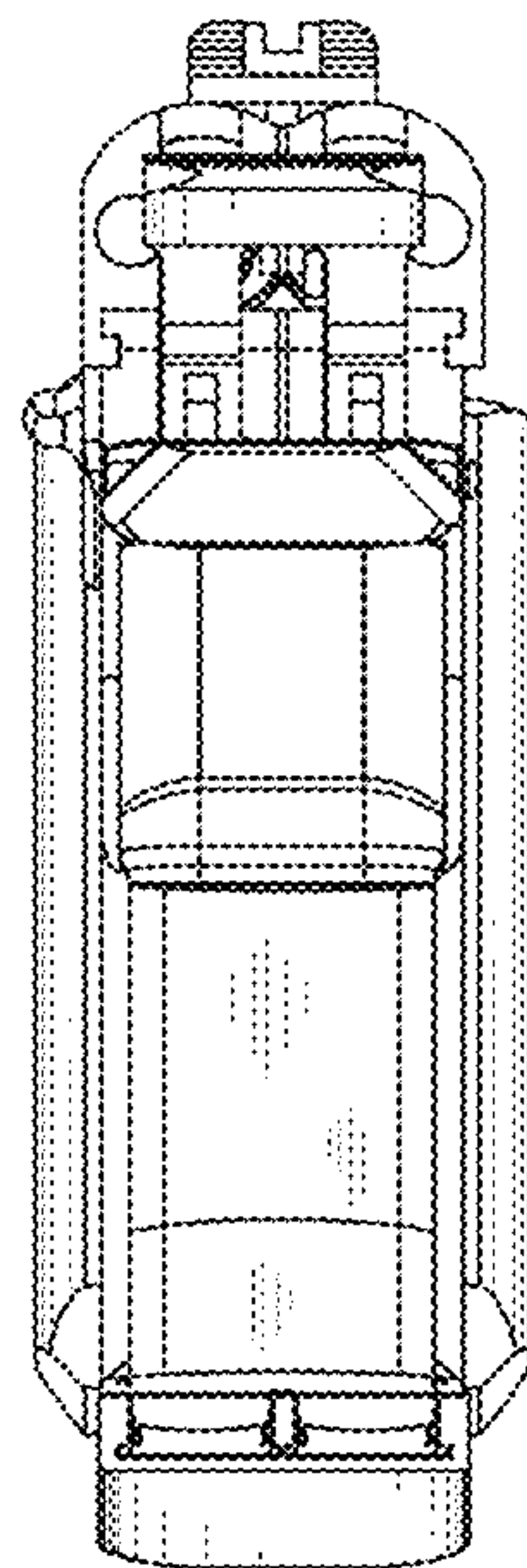


FIG. 13

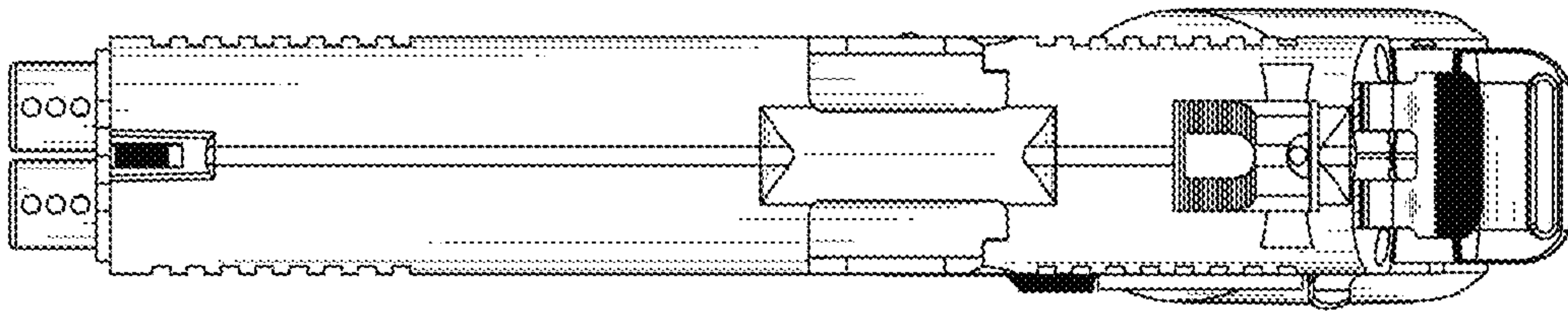


FIG. 14

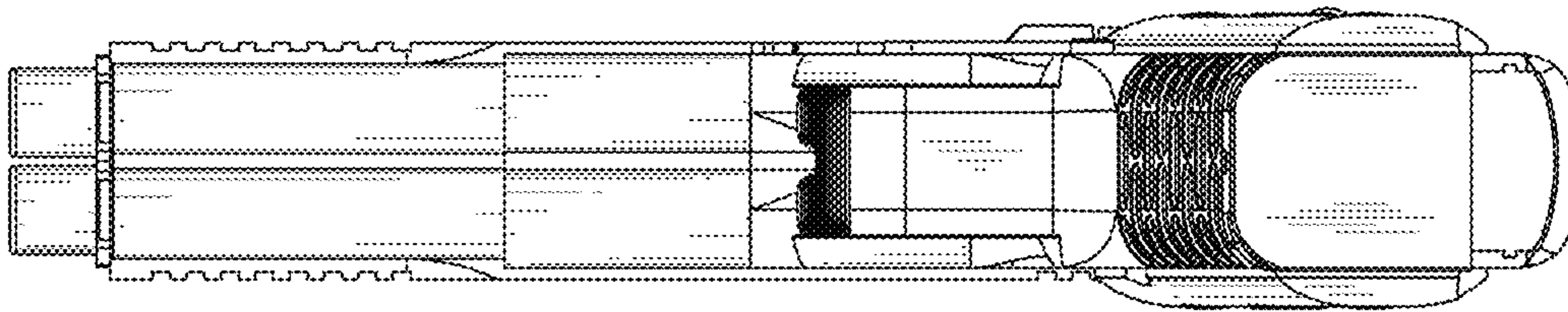


FIG. 15

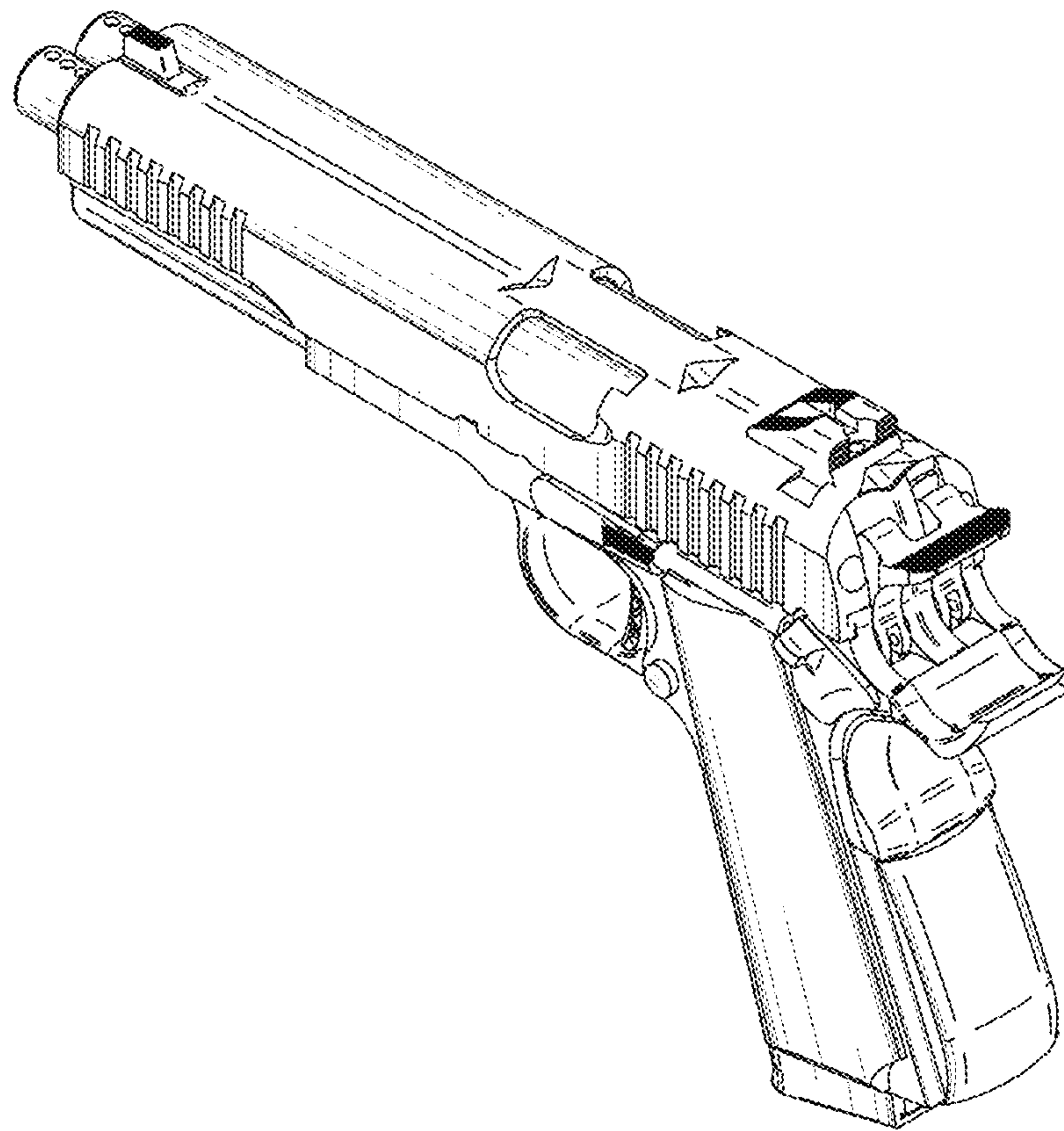


FIG. 16

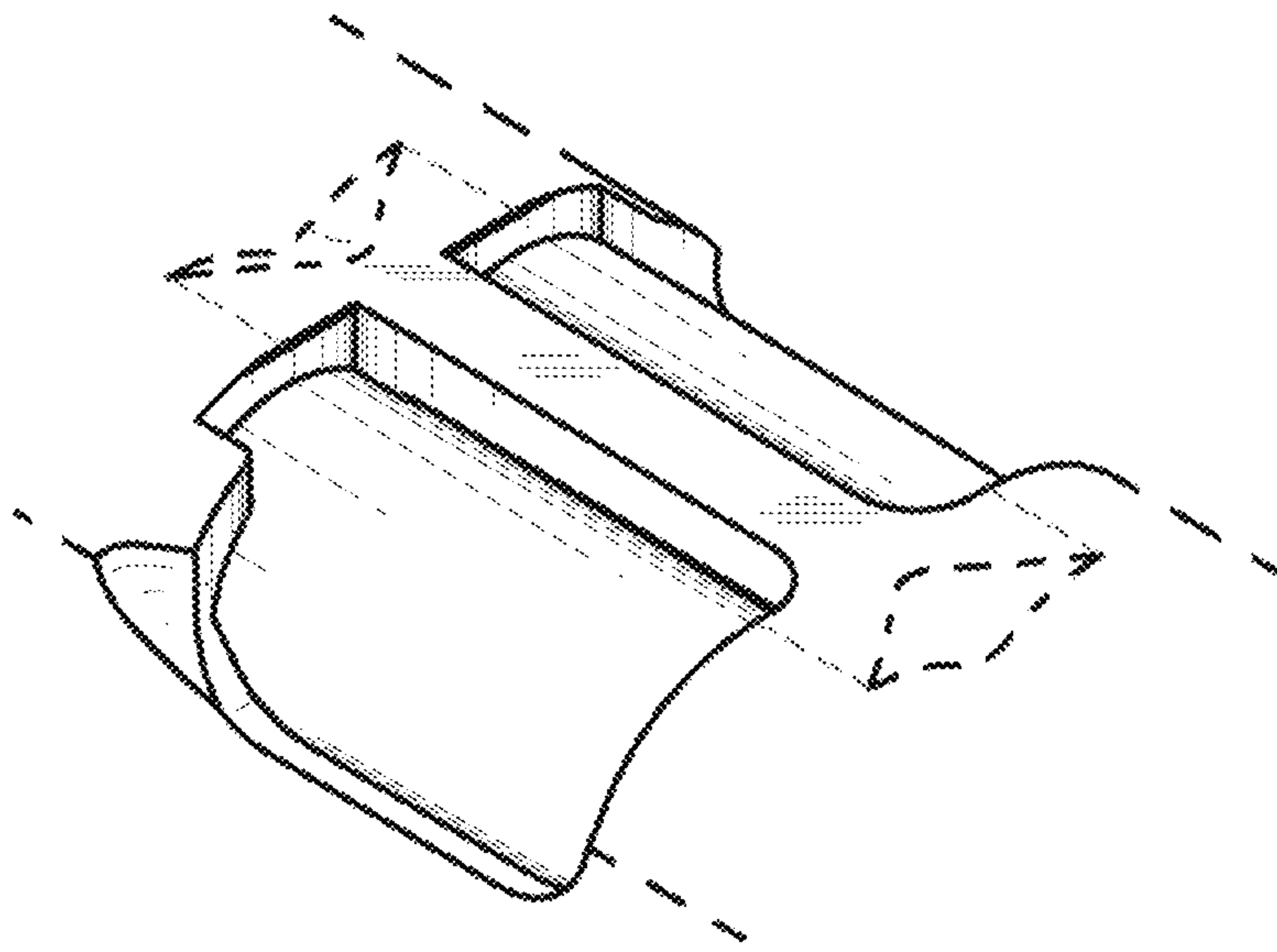


FIG. 17

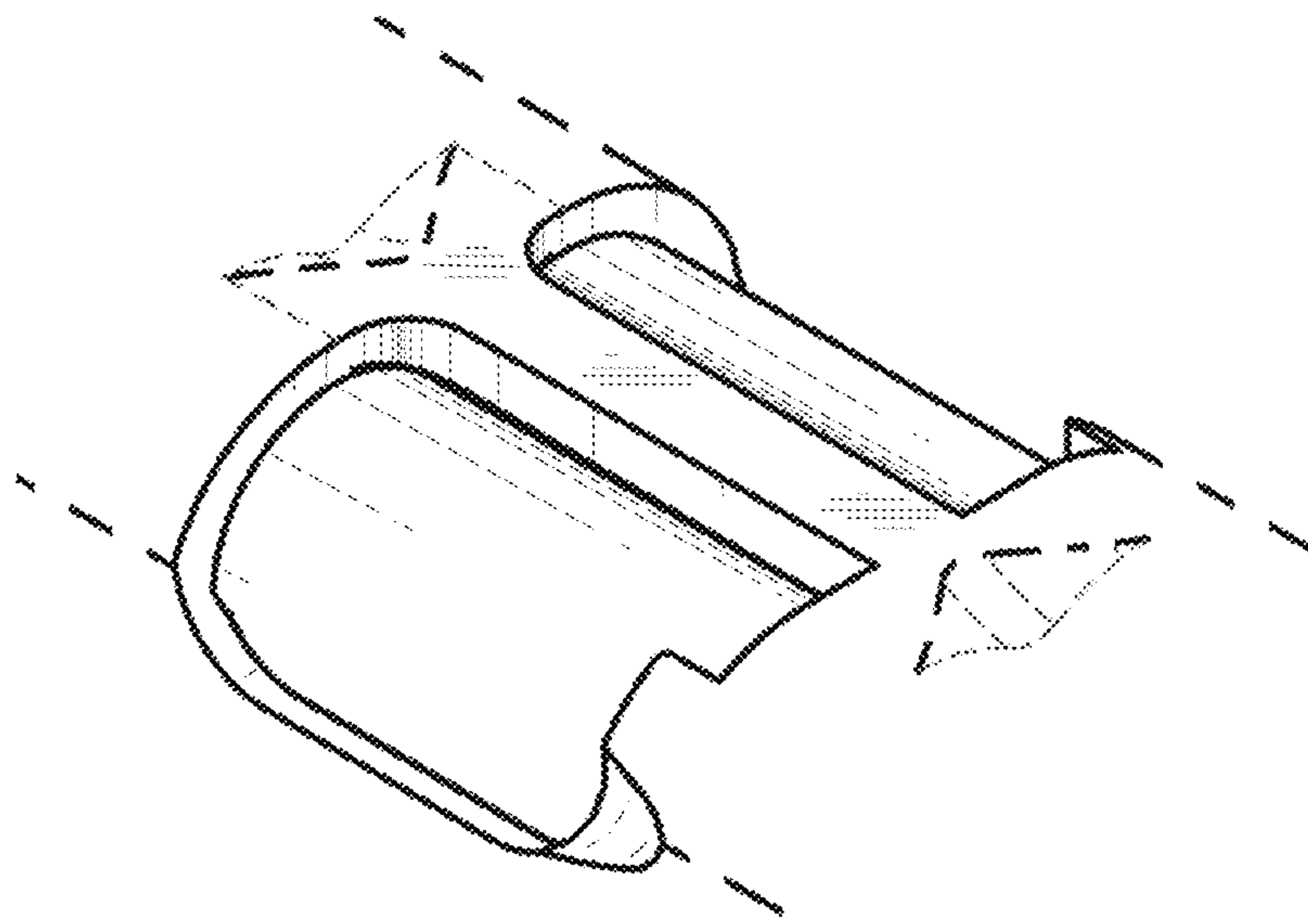


FIG. 18

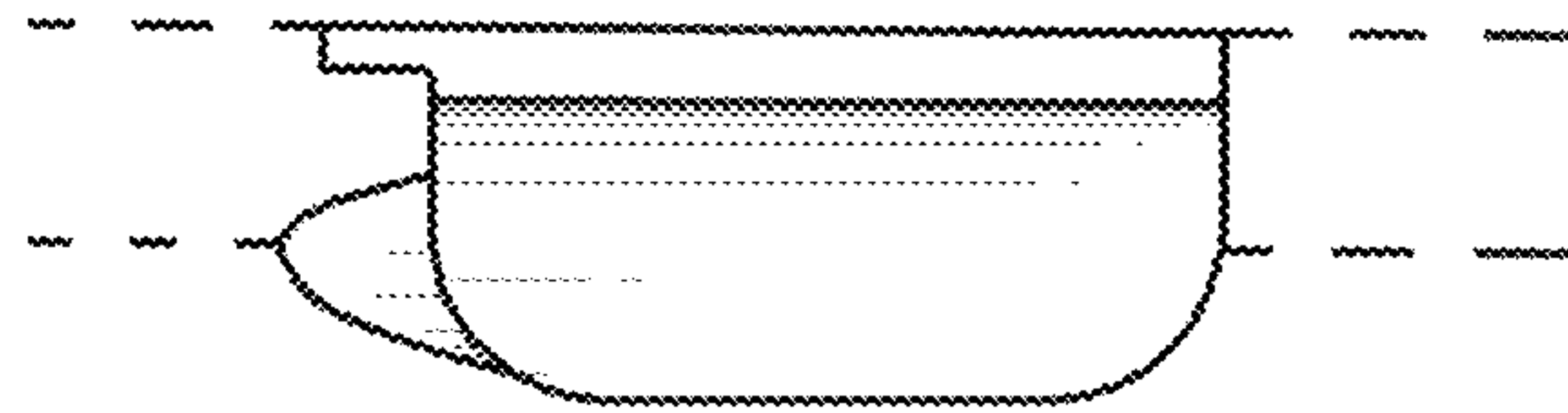


FIG. 19

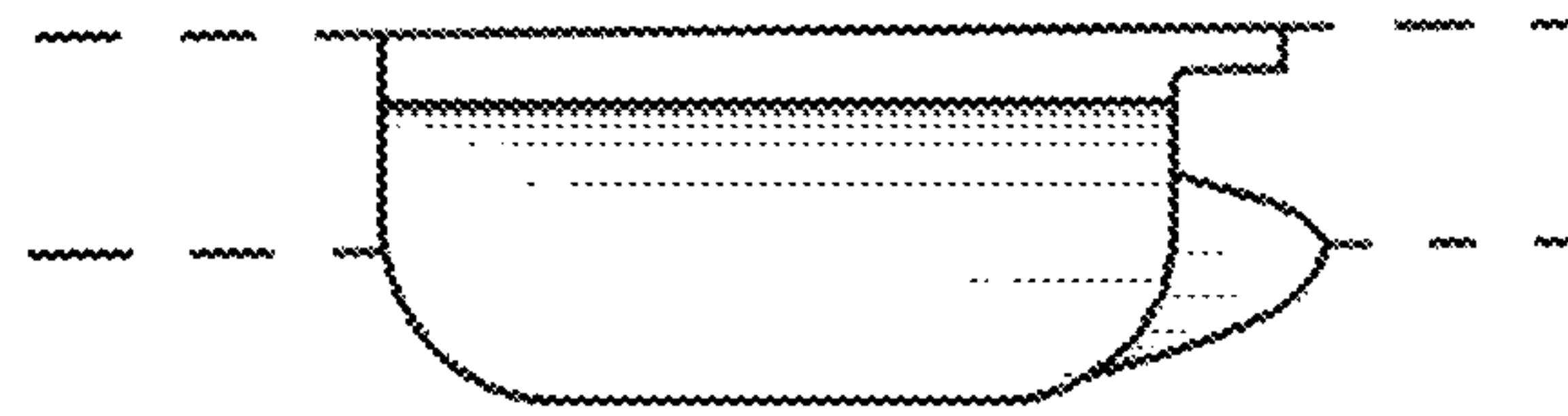


FIG. 20

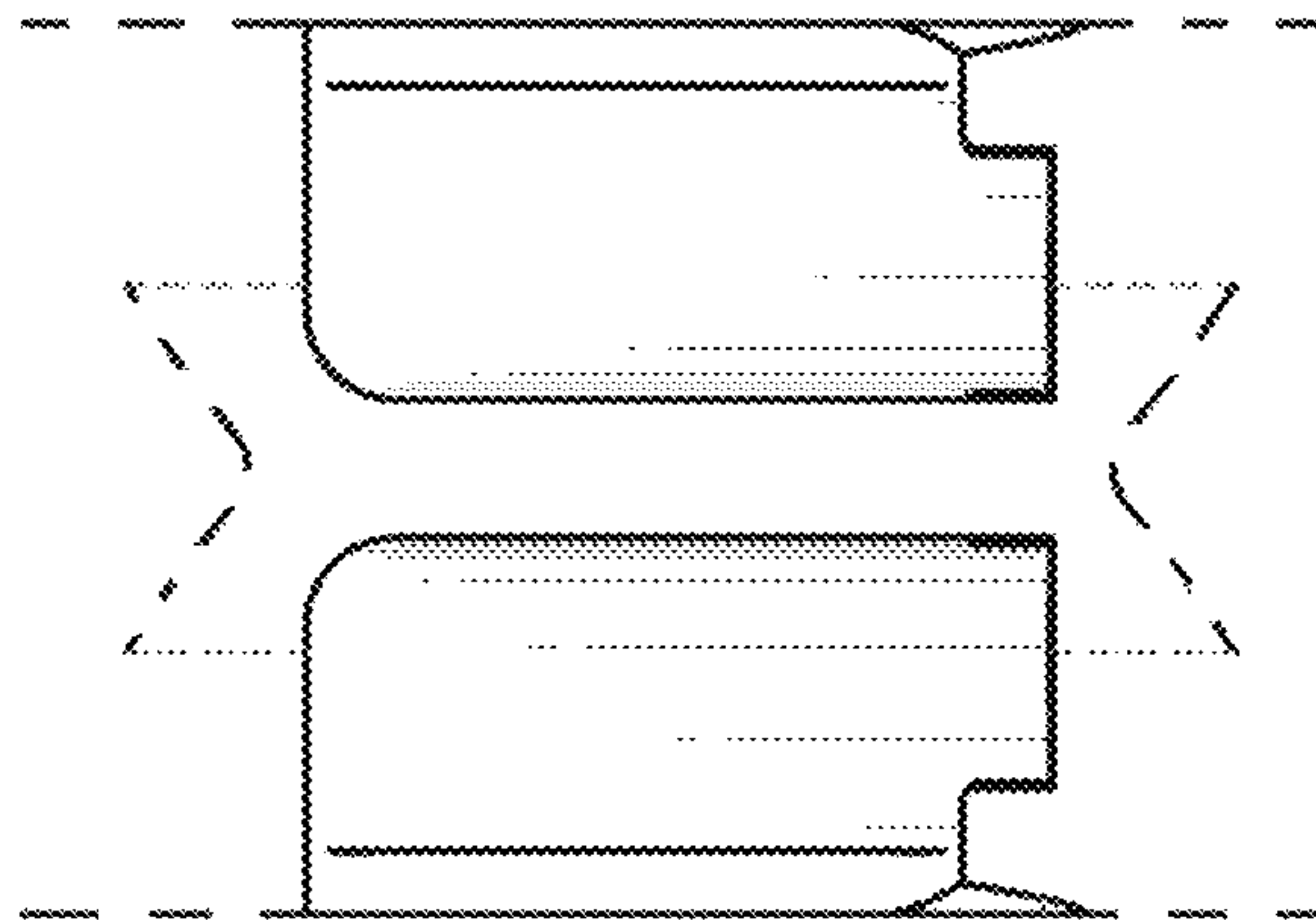


FIG. 21

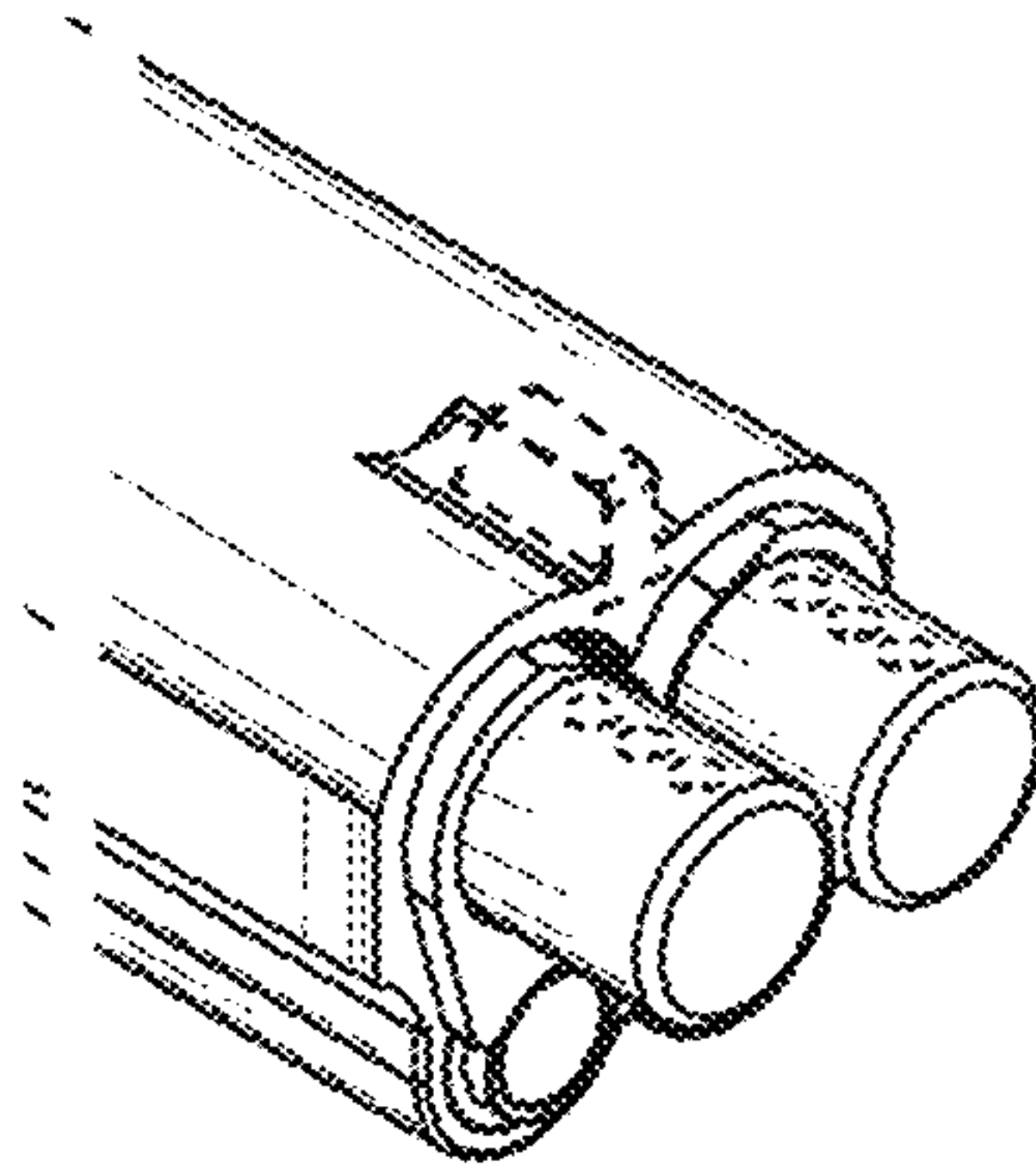


FIG. 22

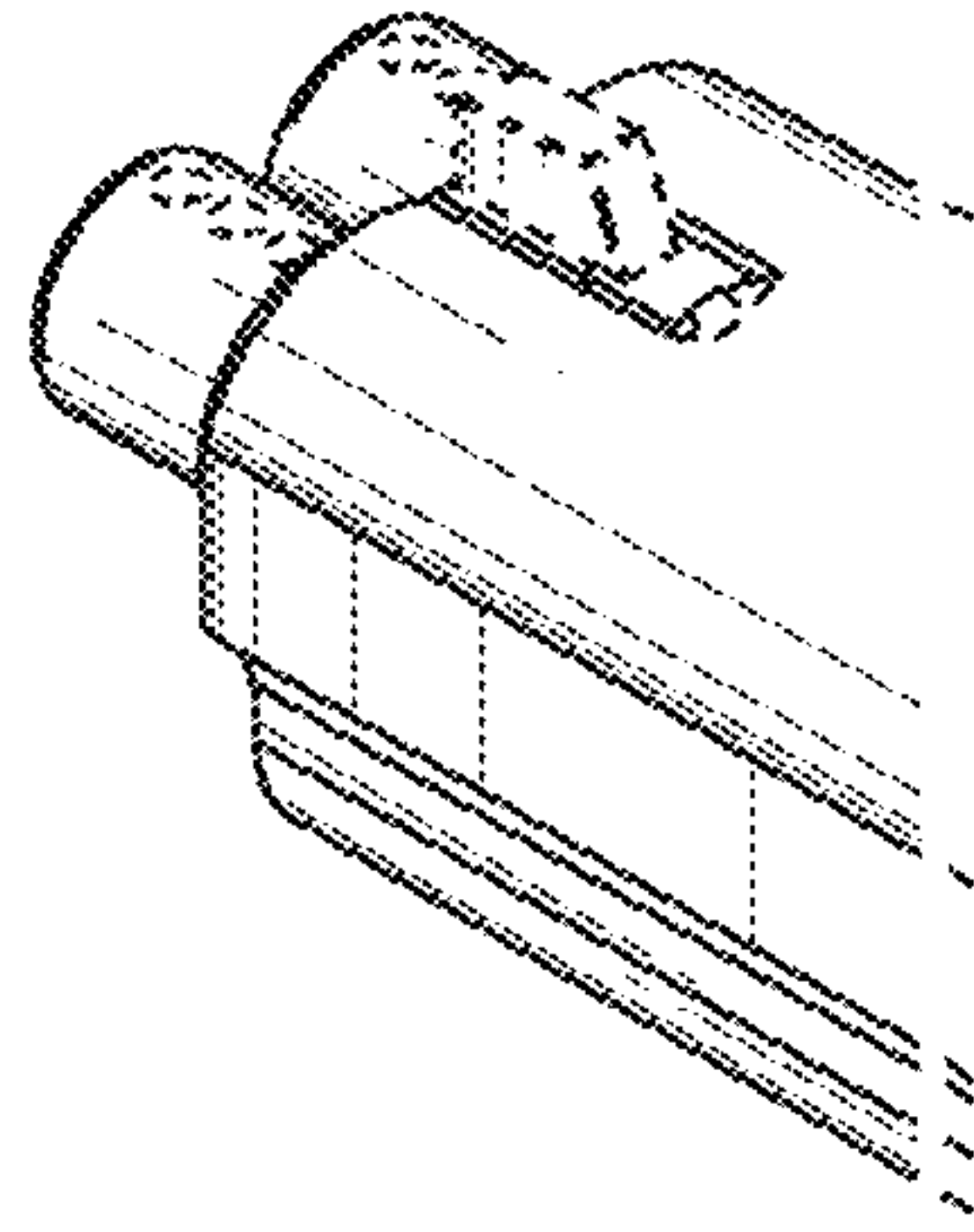


FIG. 23

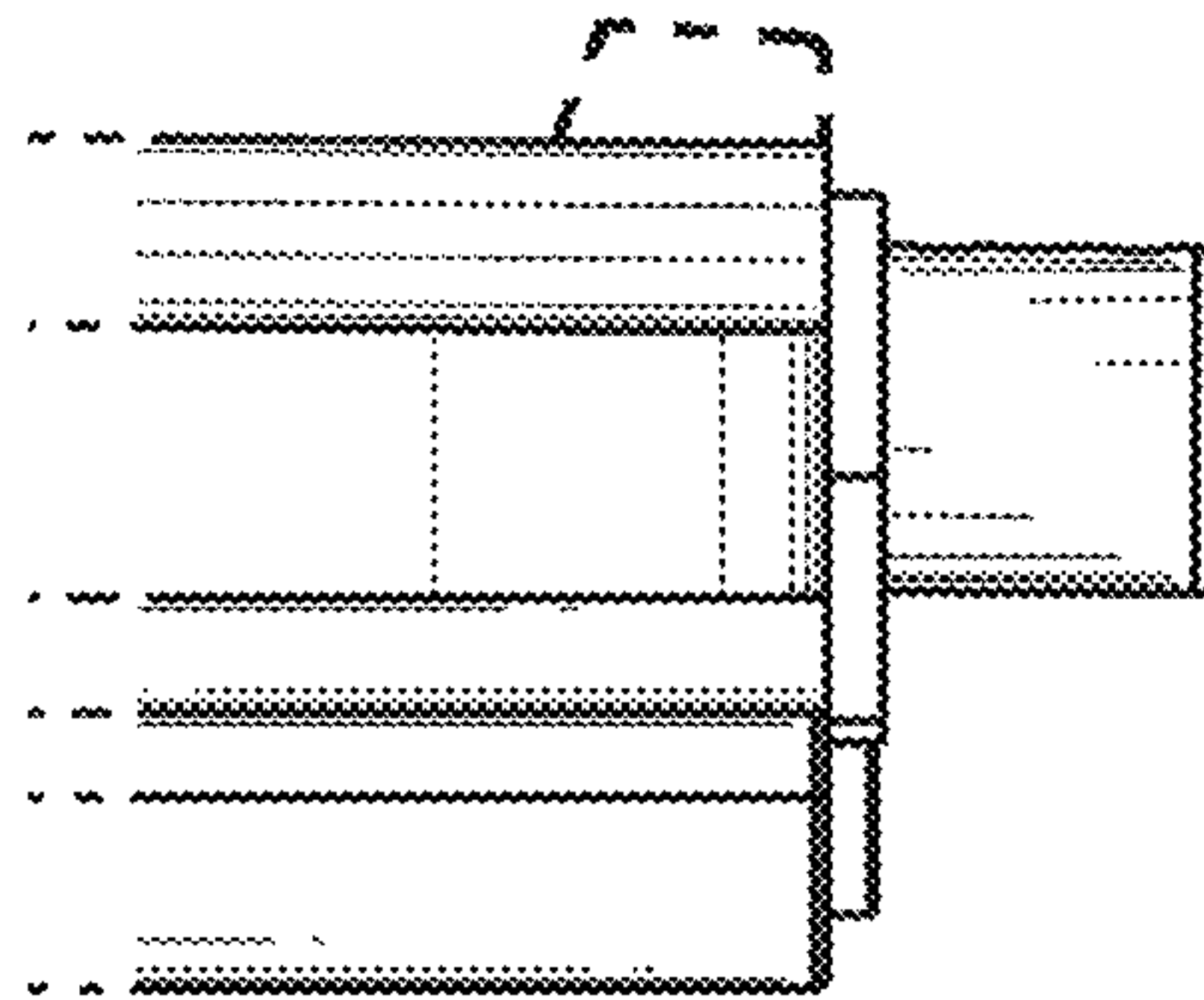


FIG. 24

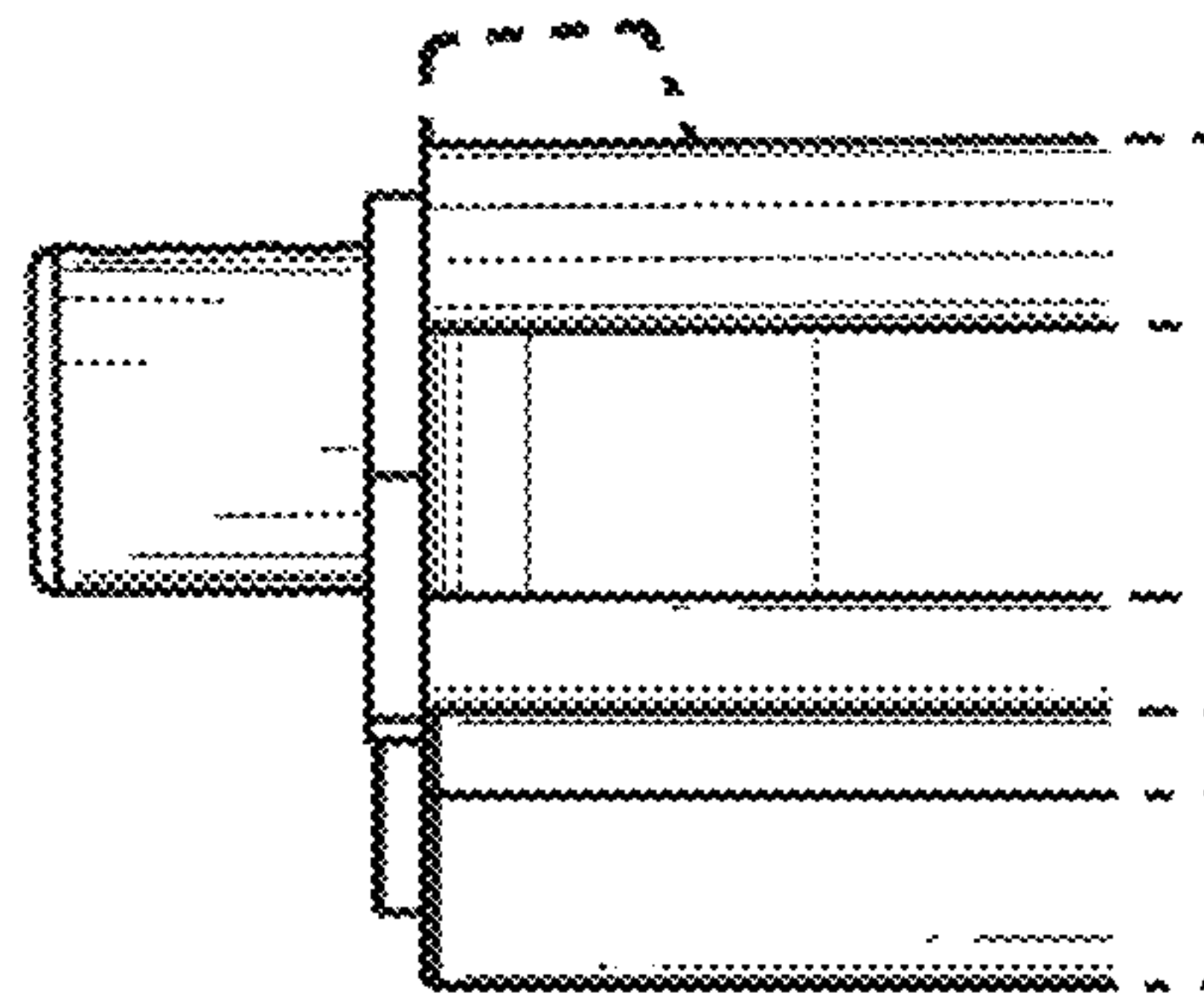


FIG. 25

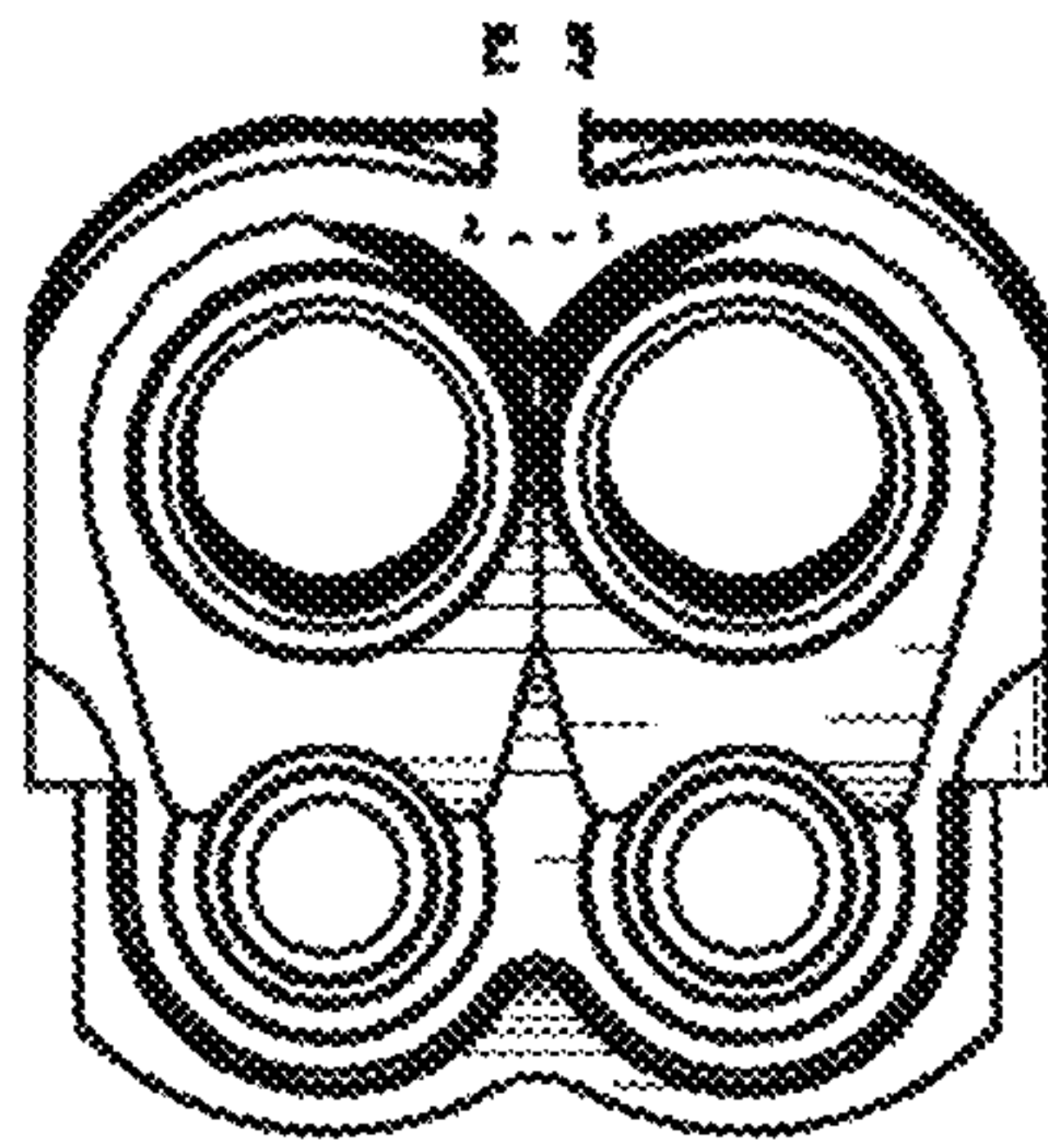


FIG. 26

UNITED STATES PATENT AND TRADEMARK OFFICE
CERTIFICATE OF CORRECTION

PATENT NO. : D880,637 S
APPLICATION NO. : 29/596526
DATED : April 7, 2020
INVENTOR(S) : Bandini et al.

Page 1 of 1

It is certified that error appears in the above-identified patent and that said Letters Patent is hereby corrected as shown below:

On the Title Page

Item (30) Please add:

-- (30) Foreign Application Priority Data

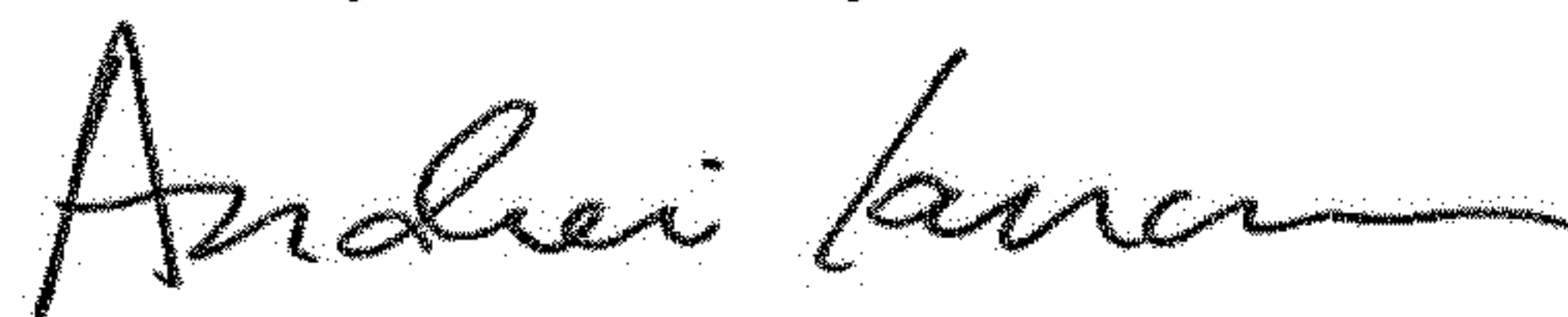
Sep. 28, 2012 (IT) BS201200026 --

Under descriptions "1 Claim, 26 Drawing Sheets" should read --1 Claim, 4 Drawing Sheets--

In the Drawings

Please delete Fig. 5 to Fig. 26

Signed and Sealed this
Twenty-third Day of June, 2020



Andrei Iancu
Director of the United States Patent and Trademark Office