



US00D880636S

(12) **United States Design Patent**
Zhang

(10) **Patent No.:** **US D880,636 S**

(45) **Date of Patent:** **** Apr. 7, 2020**

- (54) **FLOAT**
- (71) Applicant: **JOYIN INC.**, Tempe, AZ (US)
- (72) Inventor: **Liuxian Zhang**, Tempe, AZ (US)
- (73) Assignee: **JOYIN INC.**, Tempe, AZ (US)
- (**) Term: **15 Years**
- (21) Appl. No.: **29/658,969**
- (22) Filed: **Aug. 3, 2018**
- (51) **LOC (12) Cl.** **21-02**
- (52) **U.S. Cl.**
USPC **D21/808**
- (58) **Field of Classification Search**
USPC D21/769–770, 801, 803, 809; D12/5, 6,
D12/316; D6/392, 595, 596, 601, 604,
D6/605
CPC B63B 35/00; B63B 35/58; B63B 35/73;
B63B 35/74; B63B 35/7913; B63B
2035/818
See application file for complete search history.

- D827,751 S * 9/2018 Ligeri D21/808
- D836,741 S * 12/2018 Denney, Jr. D21/808
- D842,413 S * 3/2019 Ligeri D21/808
- D846,679 S * 4/2019 Ligeri D21/808

* cited by examiner

Primary Examiner — Zenia I Bennett
(74) *Attorney, Agent, or Firm* — Perkins Coie LLP;
Yingli Wang

(57) **CLAIM**

The ornamental design for a float, as shown and described.

DESCRIPTION

FIG. 1 is a top perspective view showing my new design when inflated.

FIG. 2 is a left perspective view showing the float as it is shown in FIG. 1.

FIG. 3 is a right perspective view showing the float as it is shown in FIG. 1.

FIG. 4-9 are views of the float as it is shown in FIG. 1, wherein:

FIG. 4 is a front view.

FIG. 5 is a rear view.

FIG. 6 is a top view.

FIG. 7 is a bottom view.

FIG. 8 is a left side view; and,

FIG. 9 is a right side view.

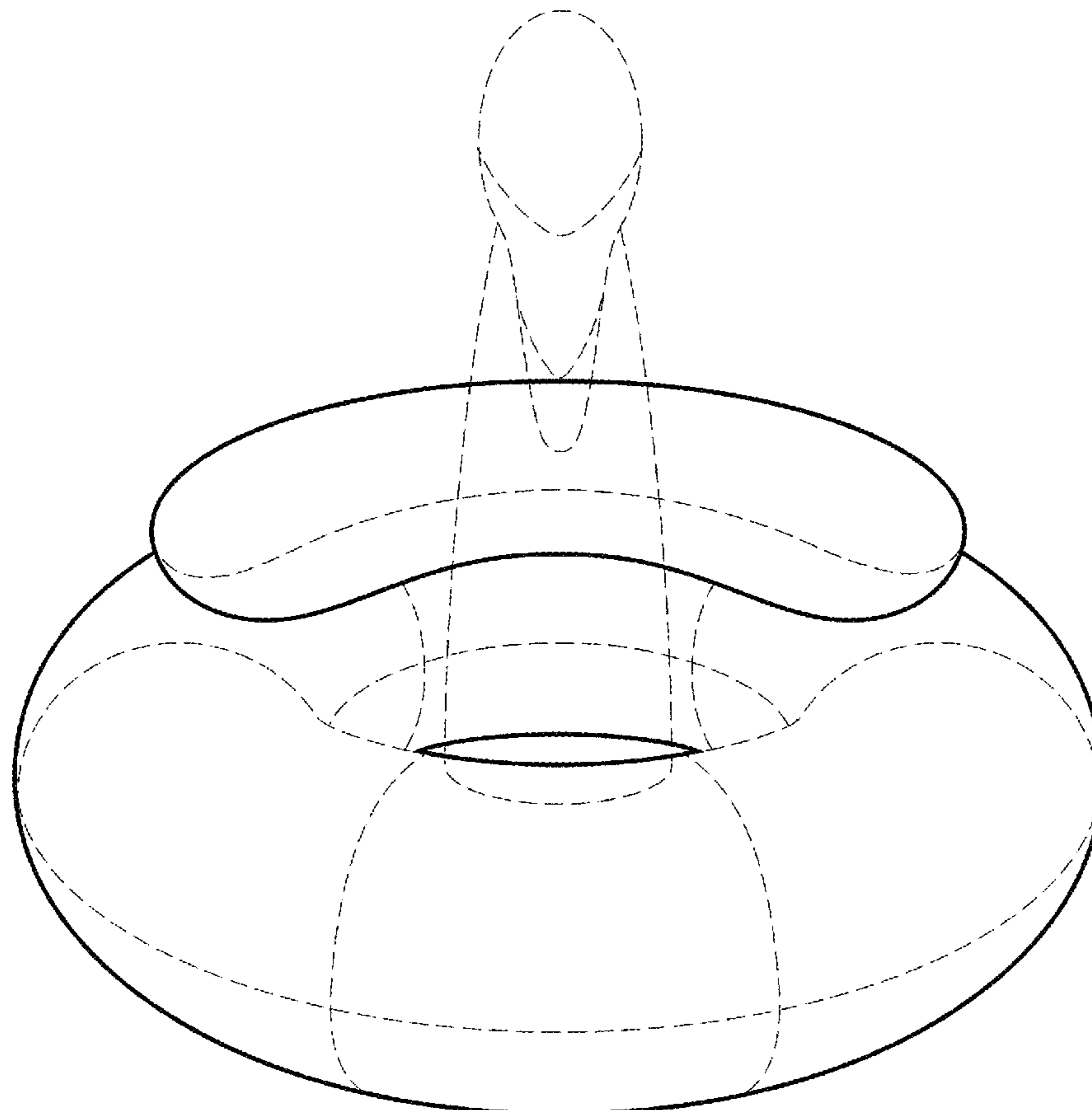
Dotted lines indicate unclaimed subject matter.

(56) **References Cited**

U.S. PATENT DOCUMENTS

- D759,182 S * 6/2016 Wampold D21/808
- D785,119 S * 4/2017 Hempton D21/808

1 Claim, 9 Drawing Sheets



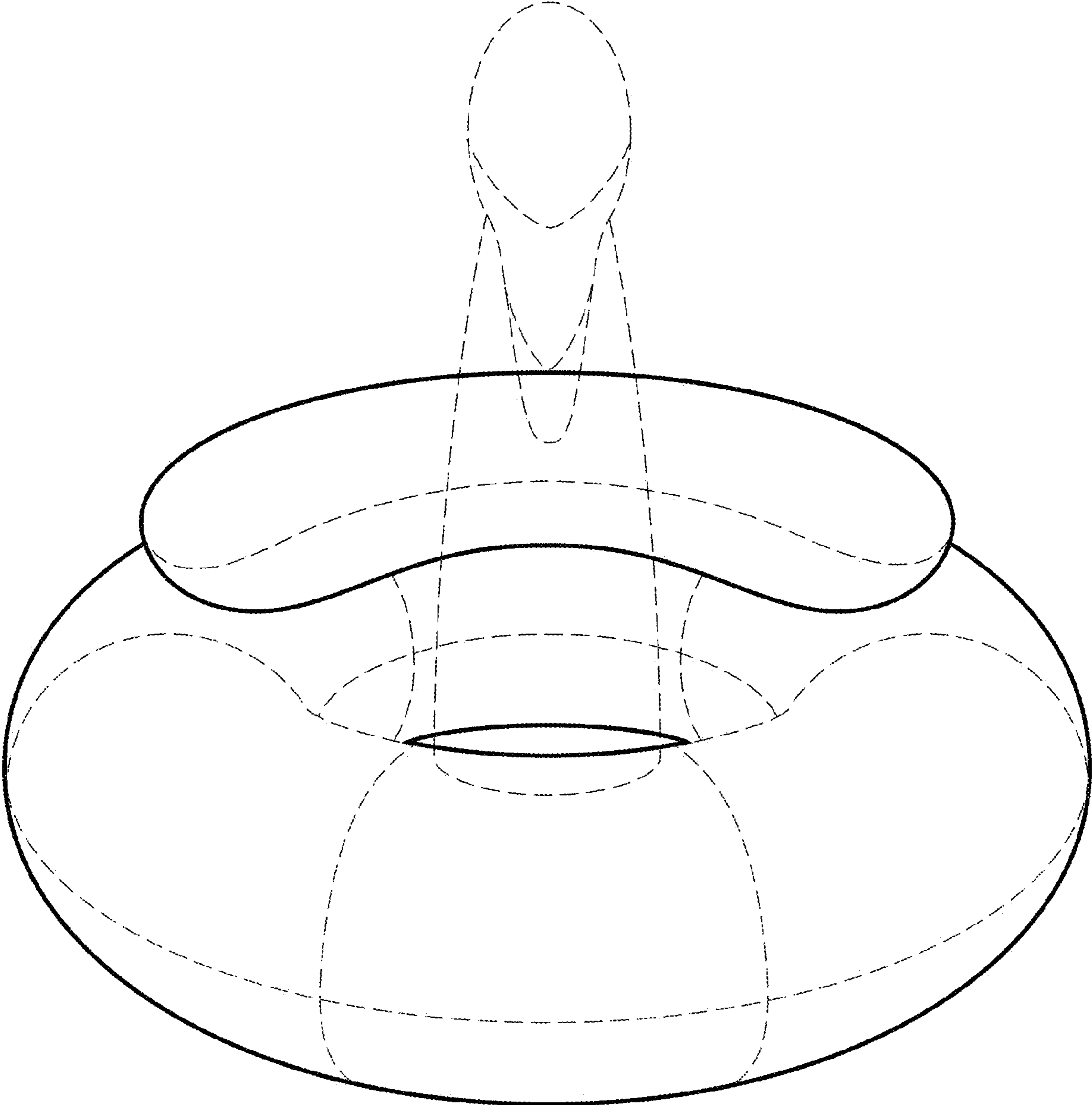


FIG. 1

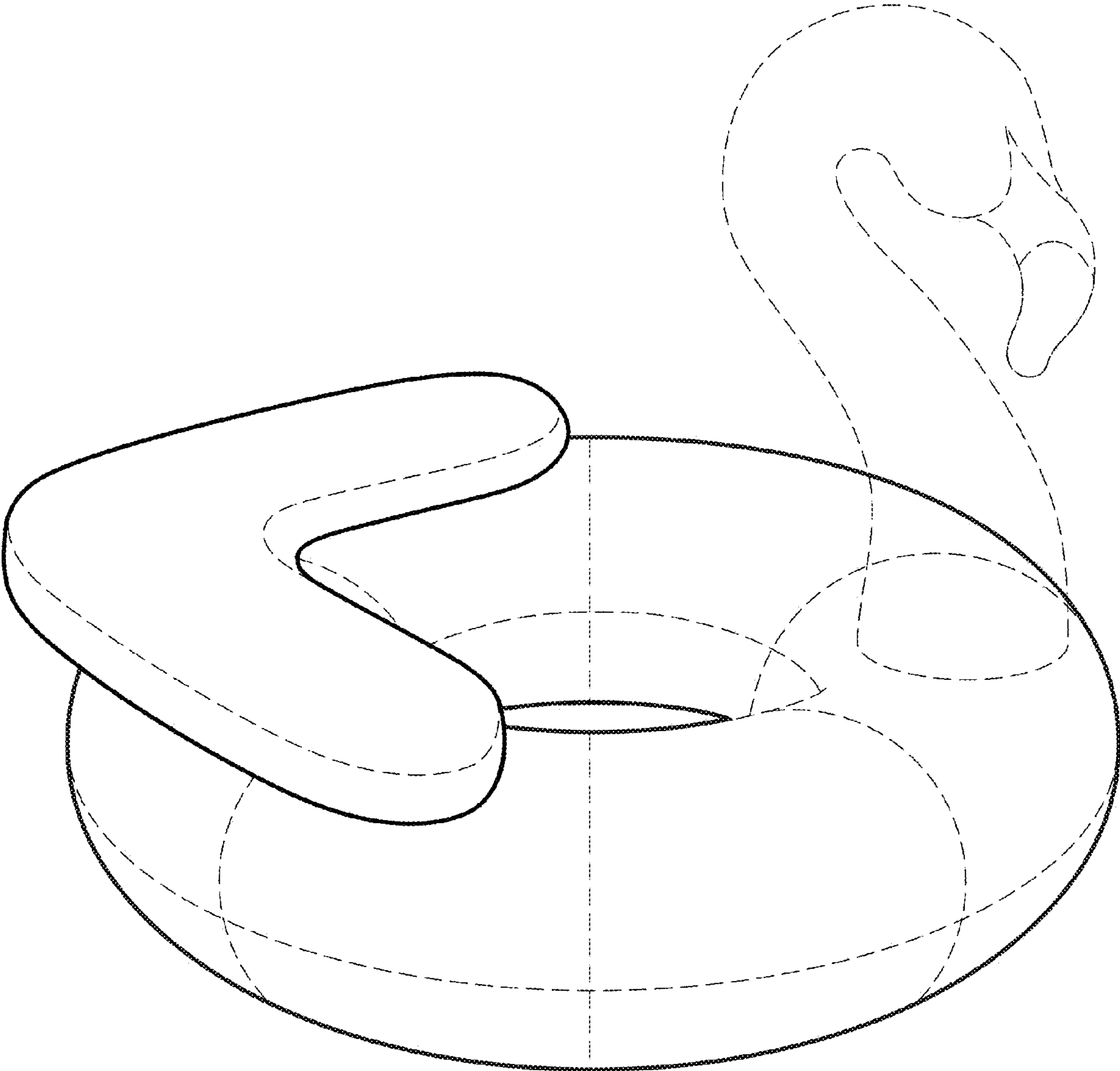


FIG. 2

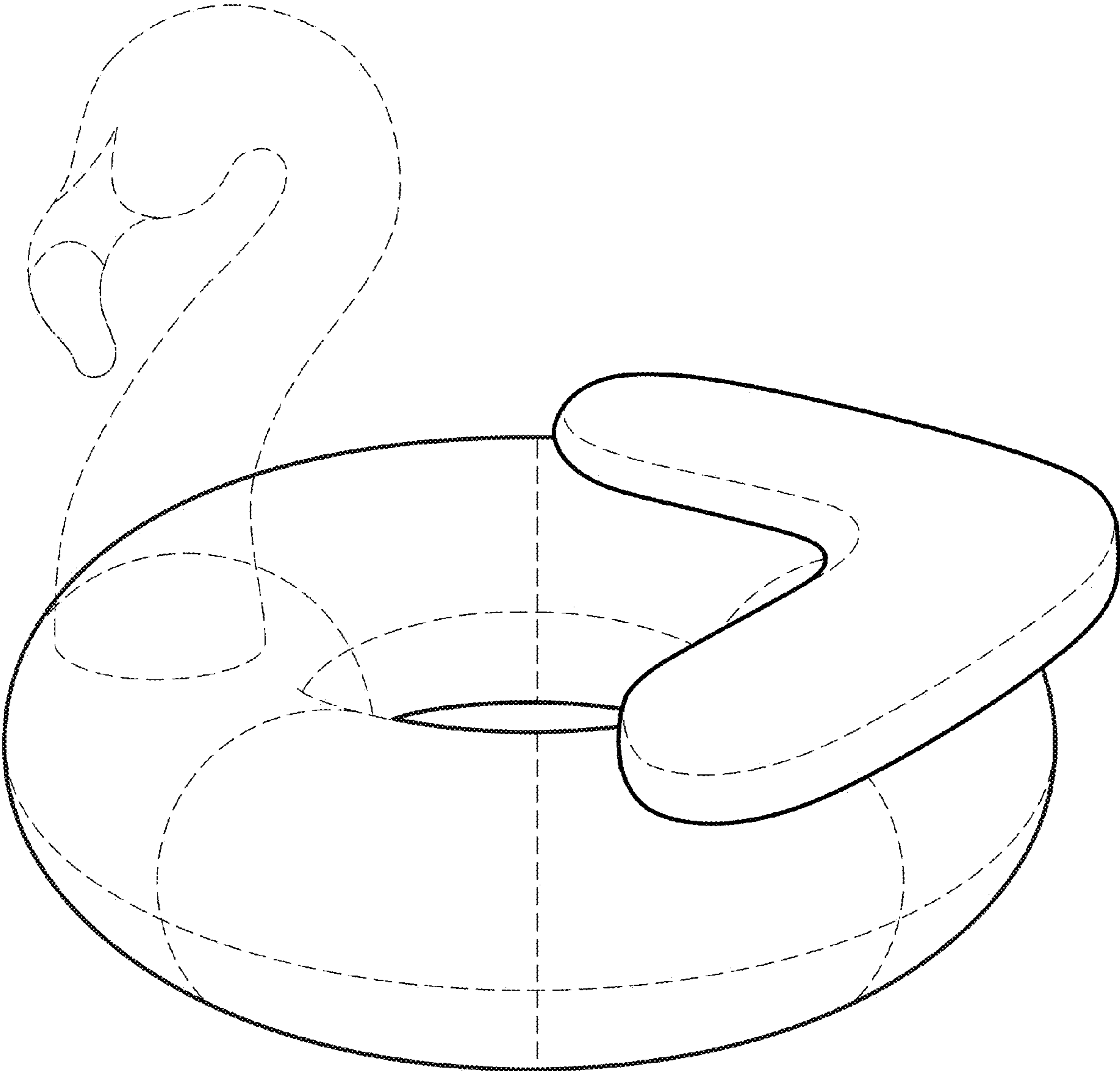


FIG. 3

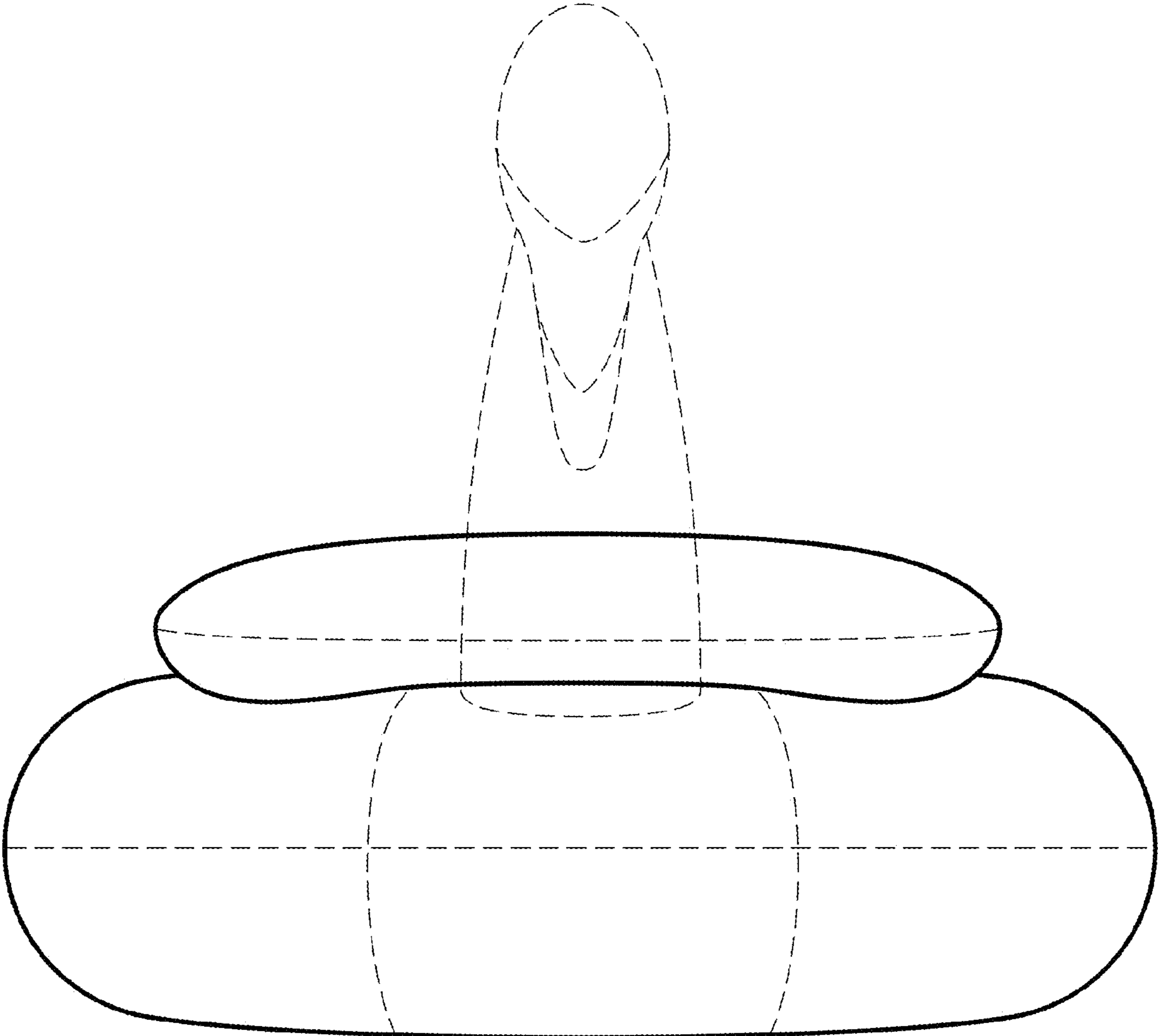


FIG. 4

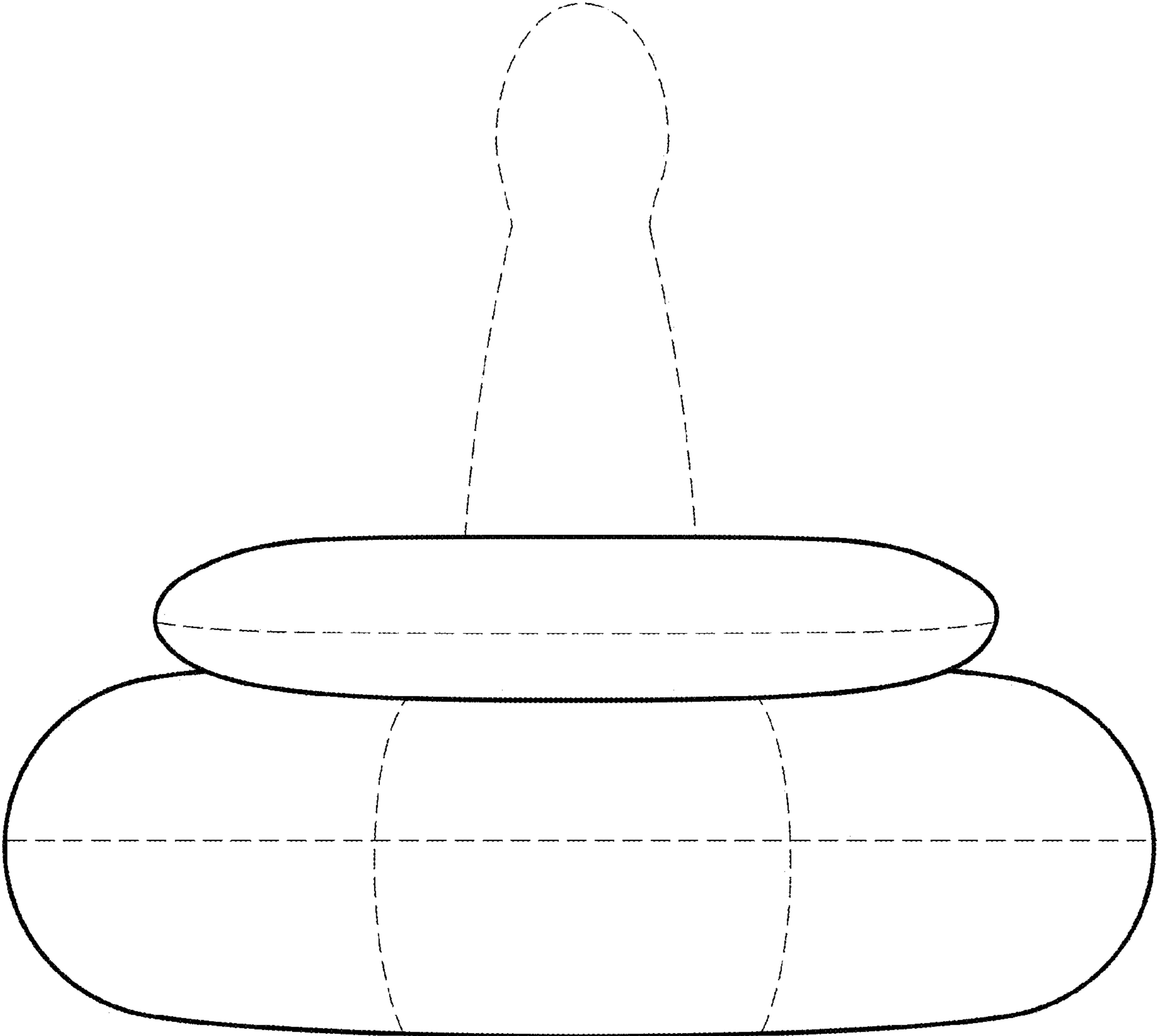


FIG. 5

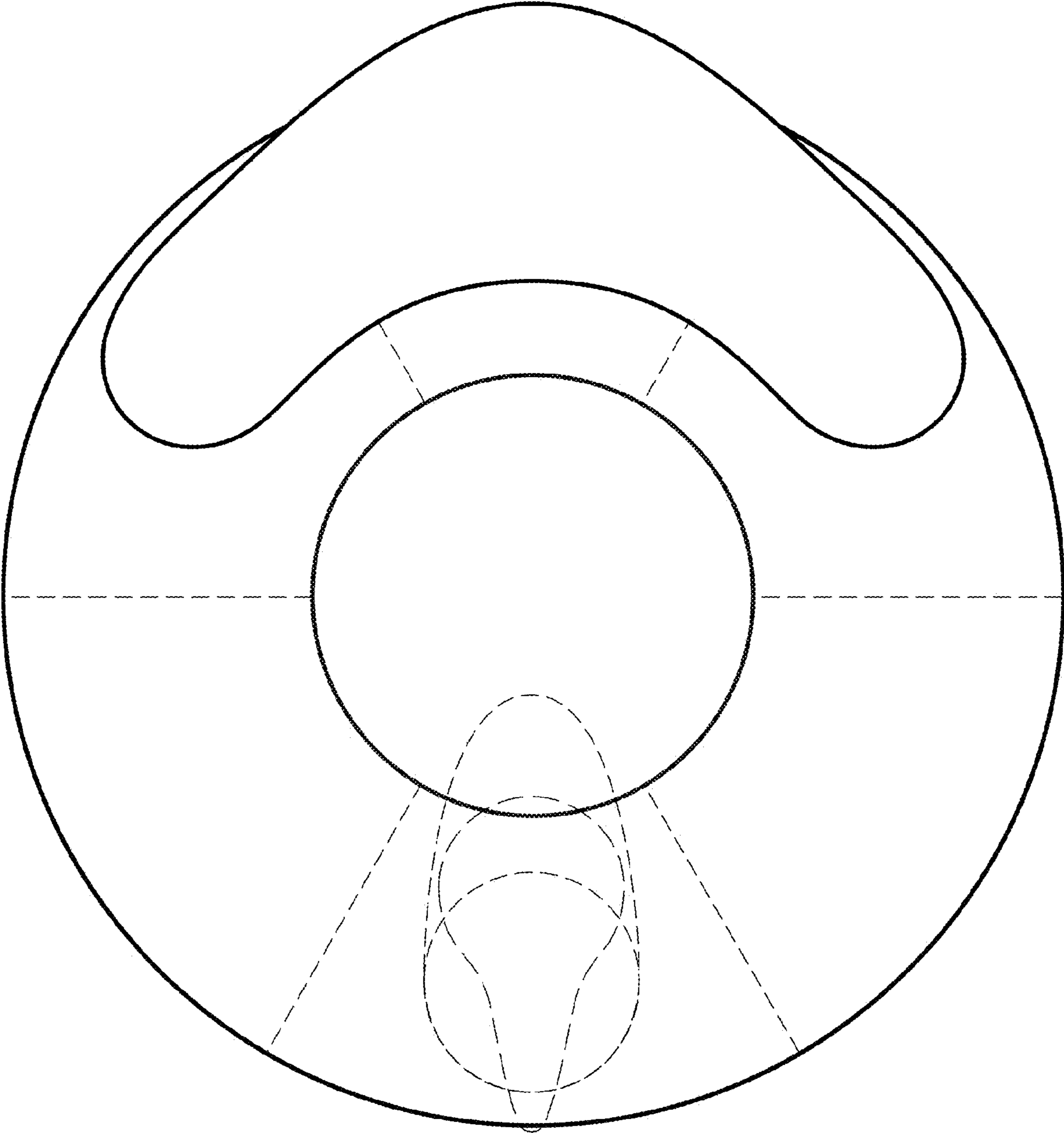


FIG. 6

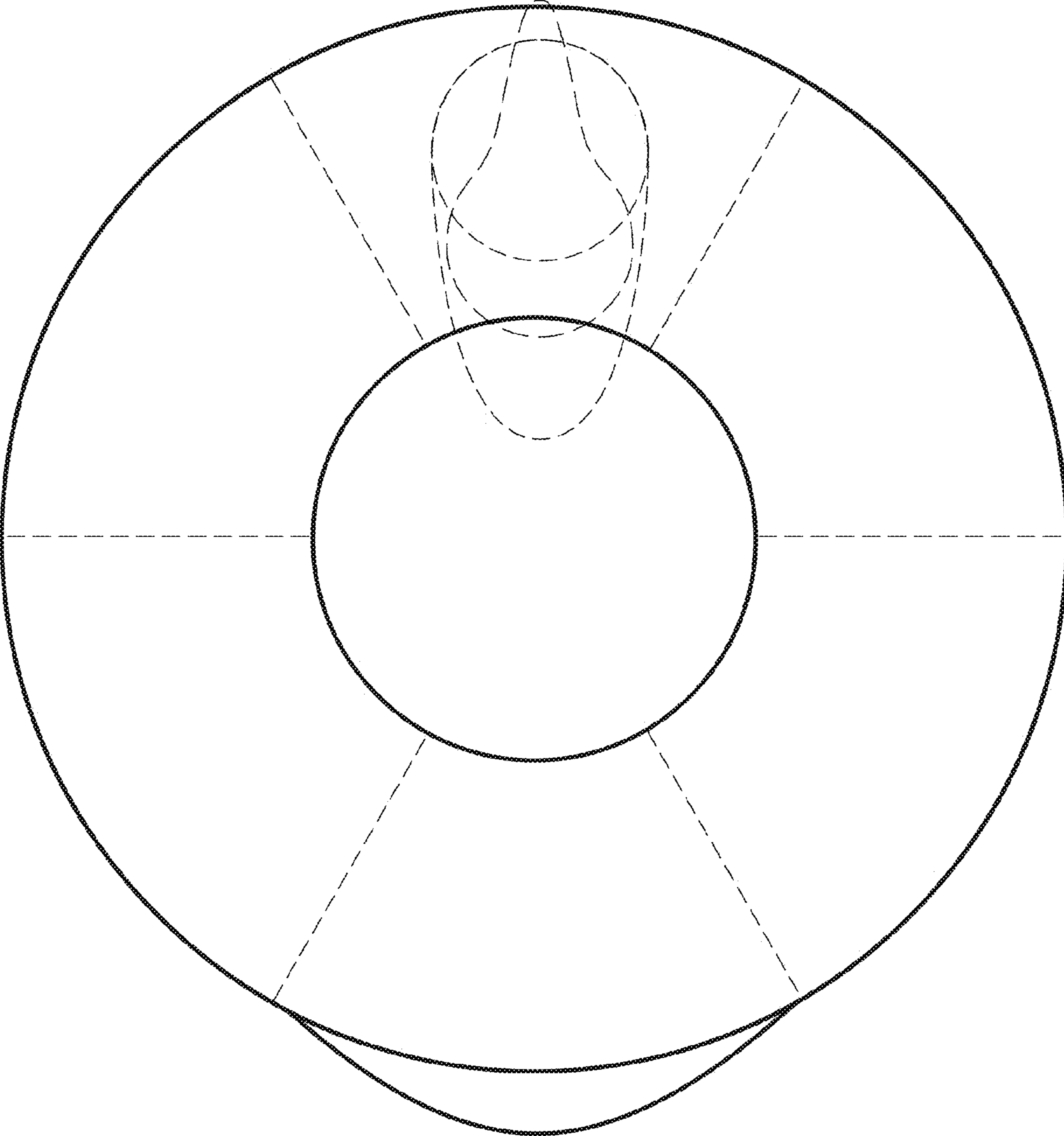


FIG. 7

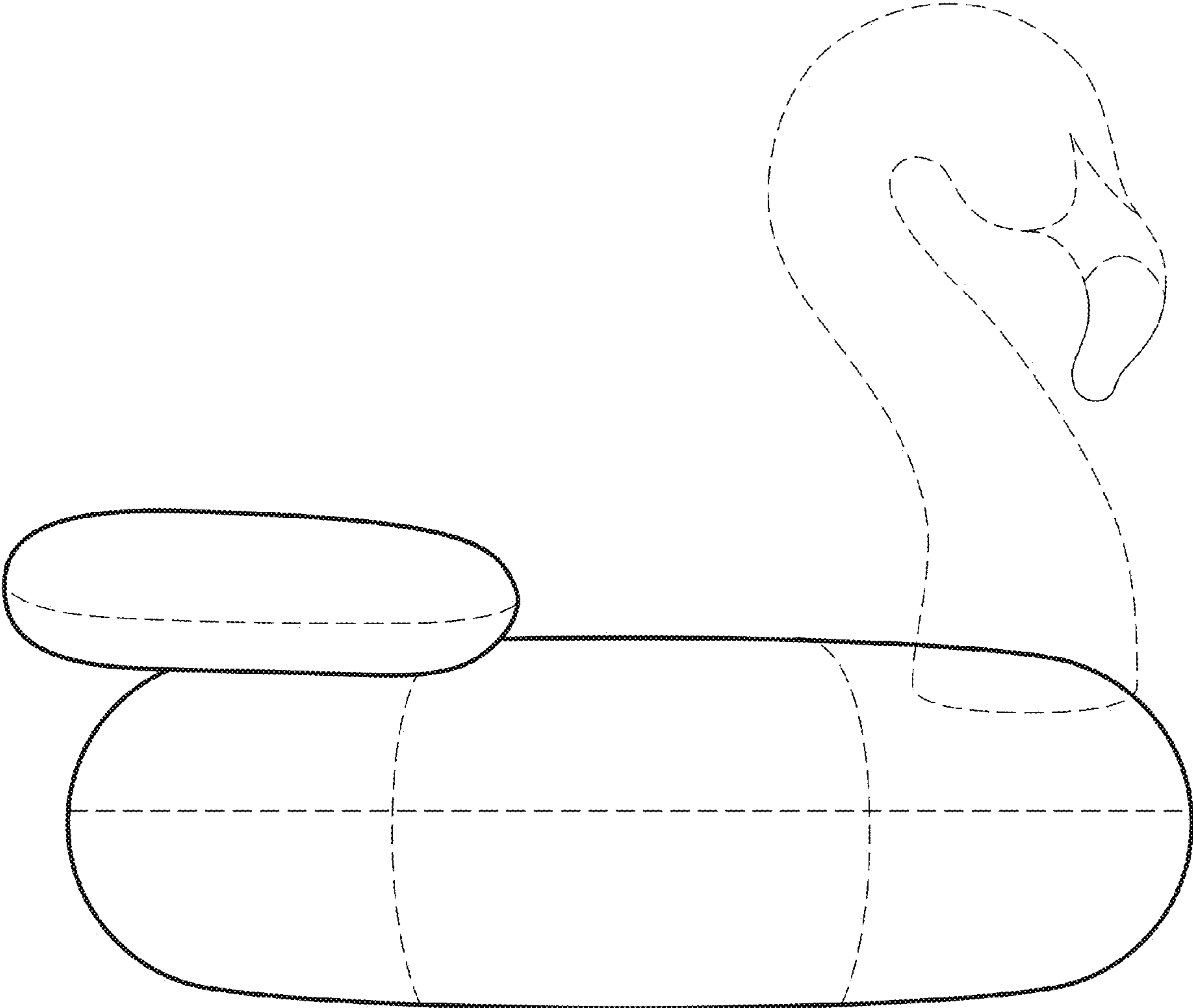


FIG. 8

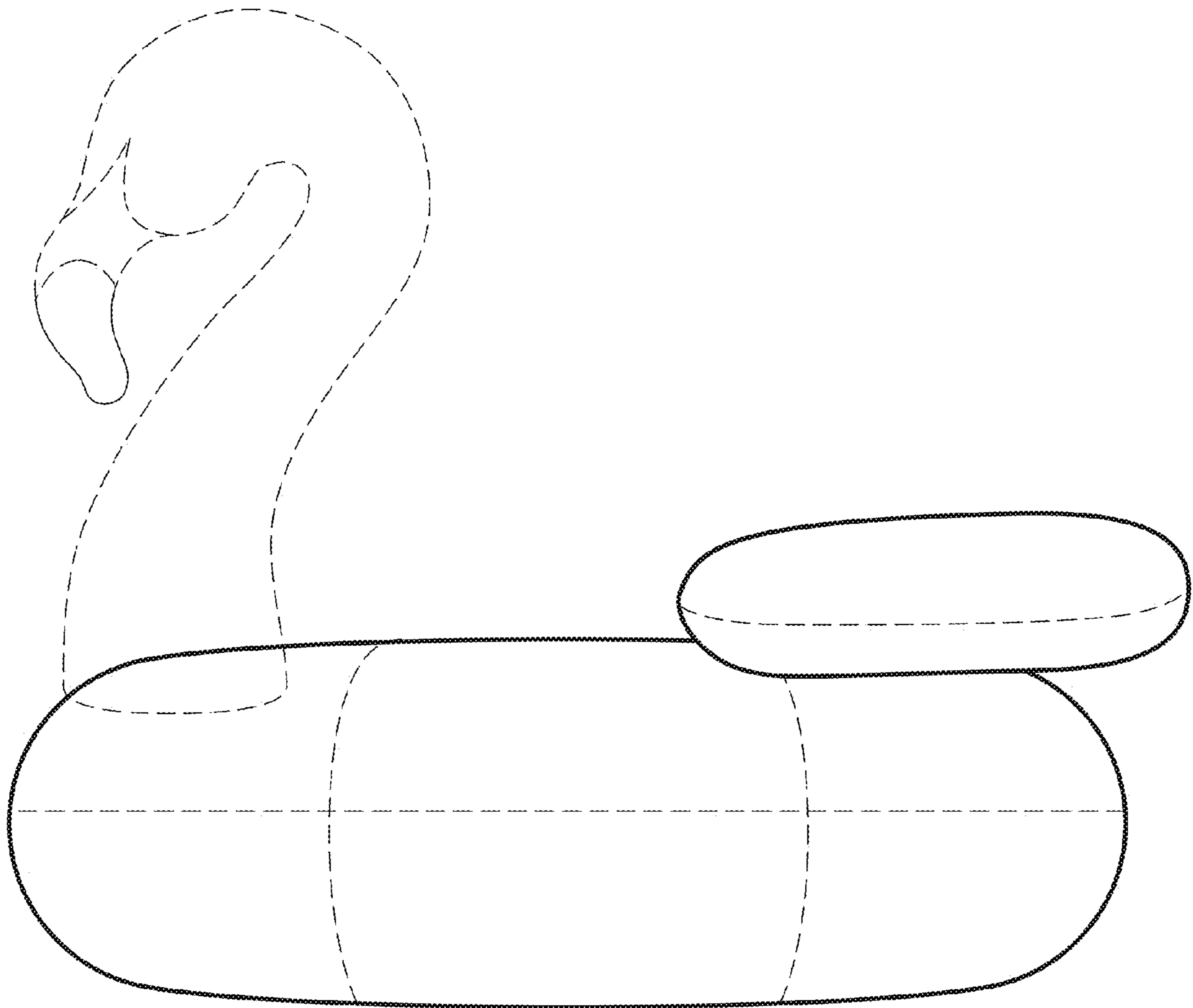


FIG. 9