



US00D880633S

(12) **United States Design Patent**  
**Krantz**

(10) **Patent No.:** **US D880,633 S**

(45) **Date of Patent:** **\*\* Apr. 7, 2020**

- (54) **PUTTING TRAINING DEVICE**
- (71) Applicant: **Michael Krantz**, Long Beach, CA (US)
- (72) Inventor: **Michael Krantz**, Long Beach, CA (US)
- (\*\*) Term: **15 Years**
- (21) Appl. No.: **29/647,133**
- (22) Filed: **May 9, 2018**

- 5,435,547 A \* 7/1995 Lee ..... A63B 69/3614  
473/221
- D380,518 S \* 7/1997 Barton ..... D21/791
- 5,797,804 A \* 8/1998 Chen ..... A63B 69/3676  
473/260
- 6,159,106 A \* 12/2000 Adams ..... A63B 69/3676  
434/252
- 6,443,852 B1 \* 9/2002 Kim ..... A63B 69/3676  
473/257
- D470,906 S \* 2/2003 Shaw ..... D21/791
- 6,669,574 B1 \* 12/2003 Riley ..... A63B 69/3676  
473/261
- 6,929,561 B2 \* 8/2005 Chang ..... A63B 69/3641  
473/257
- 6,997,817 B1 \* 2/2006 Consiglio ..... A63B 69/3676  
473/162

**Related U.S. Application Data**

- (63) Continuation of application No. 15/975,485, filed on May 9, 2018, now abandoned.
- (51) **LOC (12) Cl.** ..... **21-02**
- (52) **U.S. Cl.**  
USPC ..... **D21/791**
- (58) **Field of Classification Search**  
USPC ..... D21/789, 791  
CPC . A63B 69/36; A63B 69/3676; A63B 69/3644;  
A63B 69/3641; A63B 69/3608; A63B  
69/3661; A63B 69/3667; A63B 69/3697  
See application file for complete search history.

(Continued)

*Primary Examiner* — Mitchell I. Siegel

(74) *Attorney, Agent, or Firm* — Richard B. Cates

(57) **CLAIM**

The ornamental design for a putting training device, as shown and described.

**DESCRIPTION**

FIG. 1 is a perspective view of a putting training device showing my new design;  
 FIG. 2 is a top view thereof;  
 FIG. 3 is a left side view thereof;  
 FIG. 4 is a right side view thereof;  
 FIG. 5 is a front view thereof; and,  
 FIG. 6 is a rear view thereof.

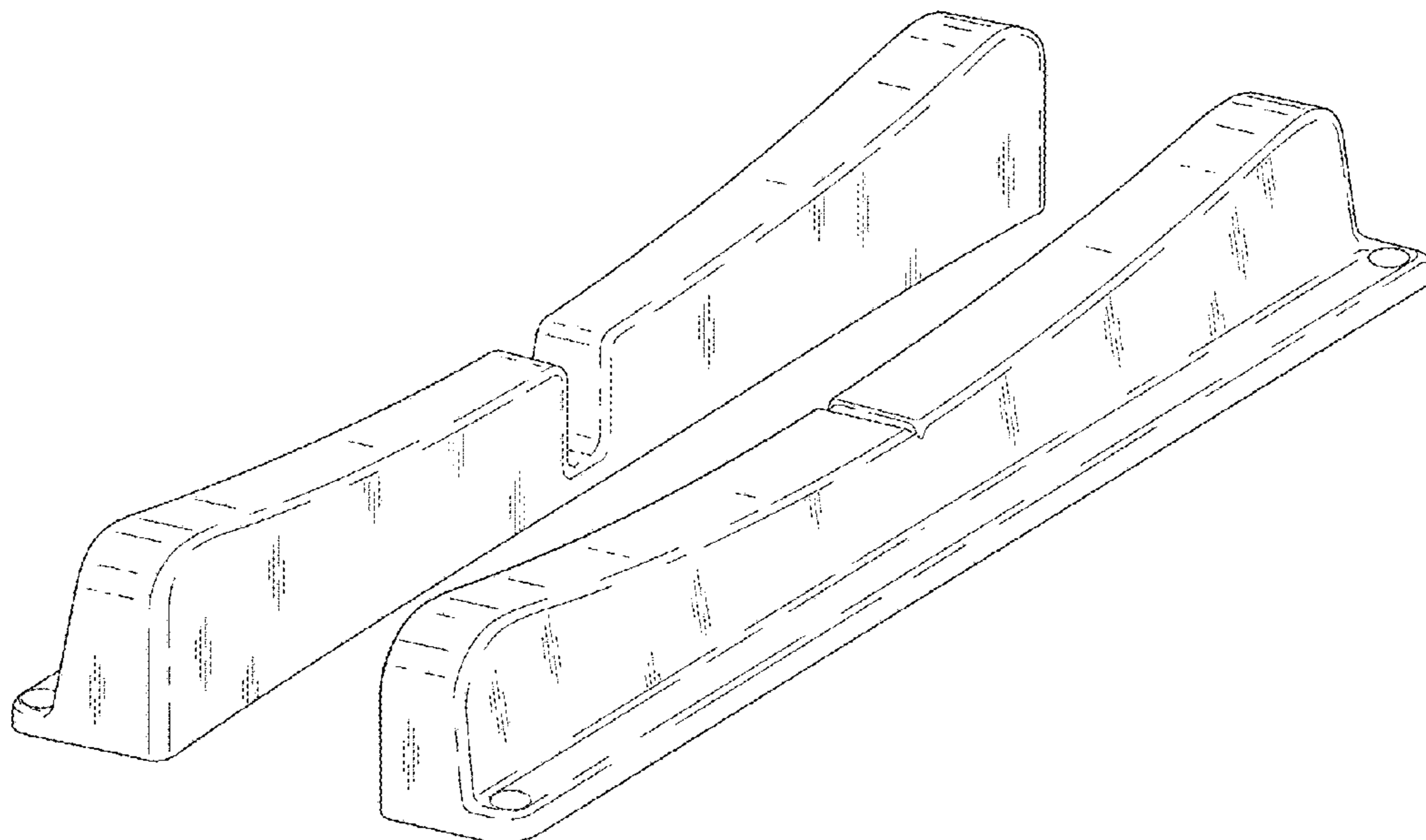
The bottom of the putting training device is unornamented and not visible during normal use because the bottom of the putting training device will be placed against a putting surface during normal use. Therefore, the bottom view has been omitted. The undisclosed bottom surface of the putting training device is flat and unornamented and forms no part of the claimed design.

(56) **References Cited**

**U.S. PATENT DOCUMENTS**

- 3,885,796 A \* 5/1975 King ..... A63B 69/3676  
473/265
- D245,035 S \* 7/1977 Gordon ..... D21/790
- 4,437,669 A \* 3/1984 Pelz ..... A63B 69/3676  
473/265
- 4,620,708 A \* 11/1986 Meyer ..... A63B 69/3676  
473/190
- 5,246,233 A \* 9/1993 Sheltman ..... A63B 69/3676  
473/265
- 5,362,057 A \* 11/1994 Arima ..... A63B 69/3676  
473/265
- D353,646 S \* 12/1994 Arima ..... D21/791

**1 Claim, 3 Drawing Sheets**



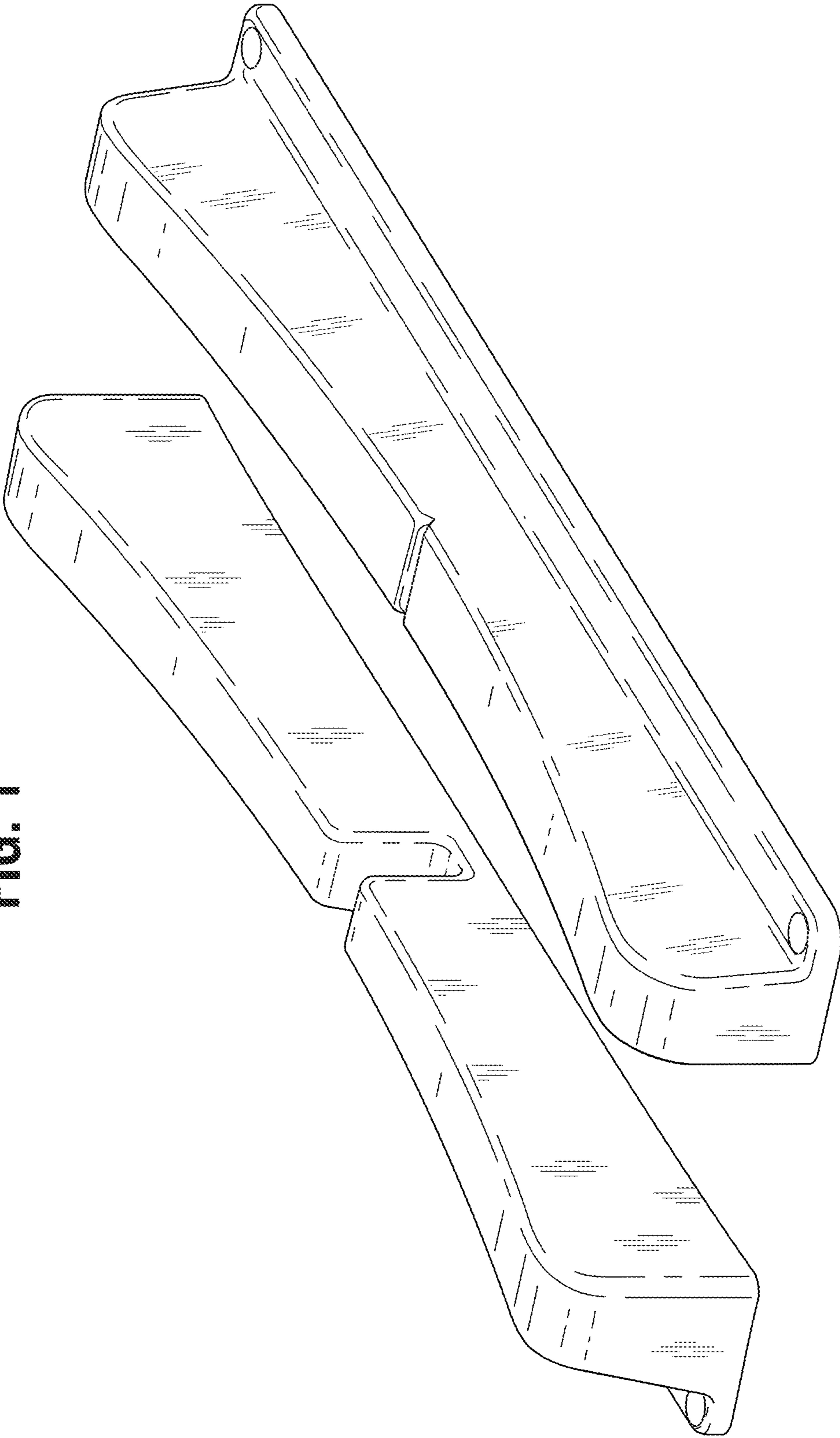
(56)

**References Cited**

U.S. PATENT DOCUMENTS

7,217,198 B2 \* 5/2007 Brooks ..... A63B 69/3676  
473/260  
D600,299 S \* 9/2009 Hanley ..... D21/791  
7,666,107 B2 \* 2/2010 Sorenson ..... A63B 69/3641  
473/226  
7,766,763 B2 \* 8/2010 Sorenson ..... A63B 69/3667  
473/226  
D641,061 S \* 7/2011 Finau ..... D21/791  
D746,932 S \* 1/2016 Donaghue ..... D21/791  
D767,068 S \* 9/2016 Dovidio ..... D21/791  
2002/0016213 A1 \* 2/2002 Templeton ..... A63B 69/3676  
473/257  
2005/0159233 A1 \* 7/2005 Piche ..... A63B 69/3641  
473/265

\* cited by examiner



**FIG. 1**

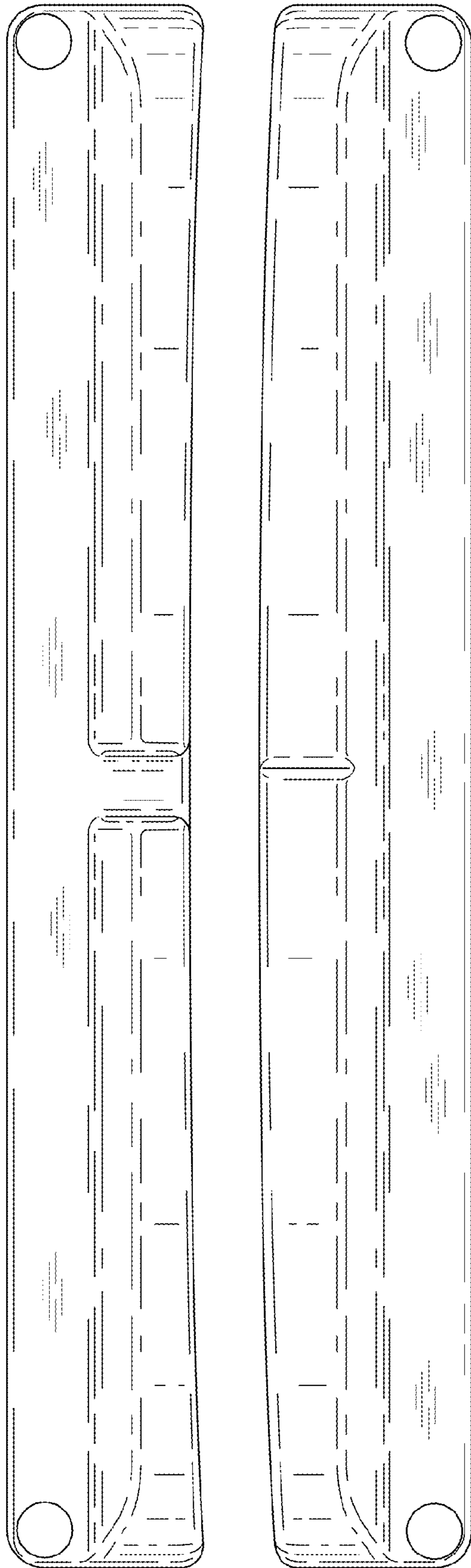


FIG. 2

FIG. 3

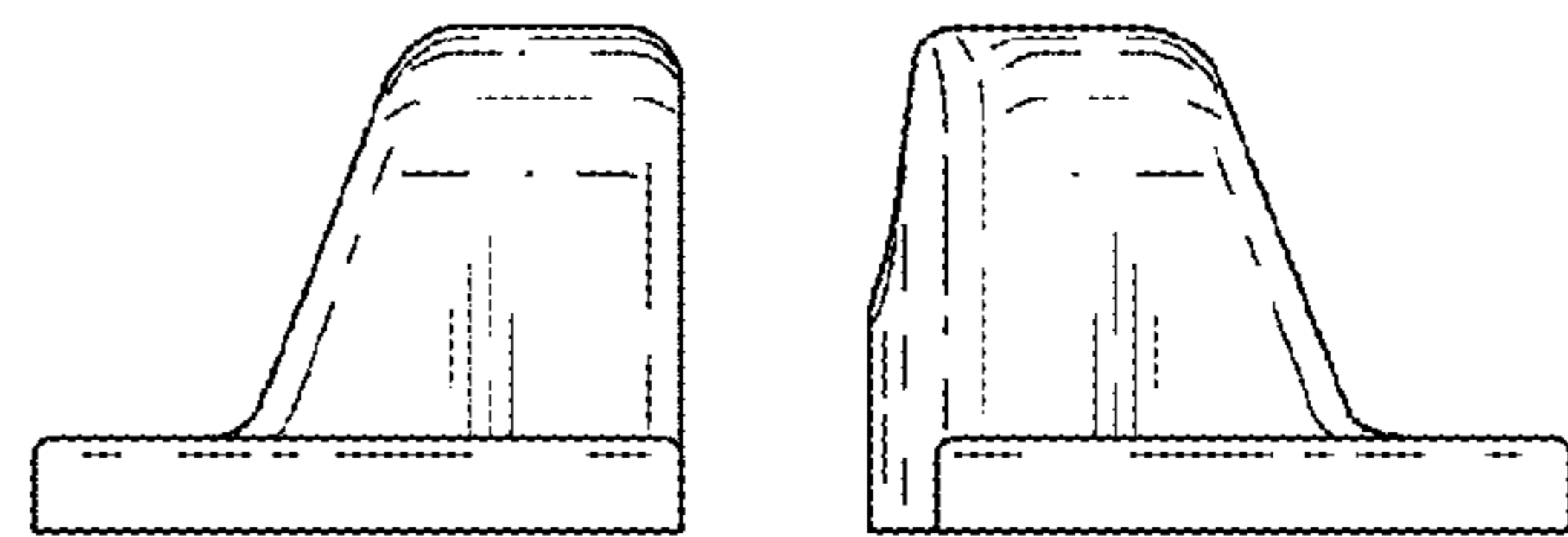
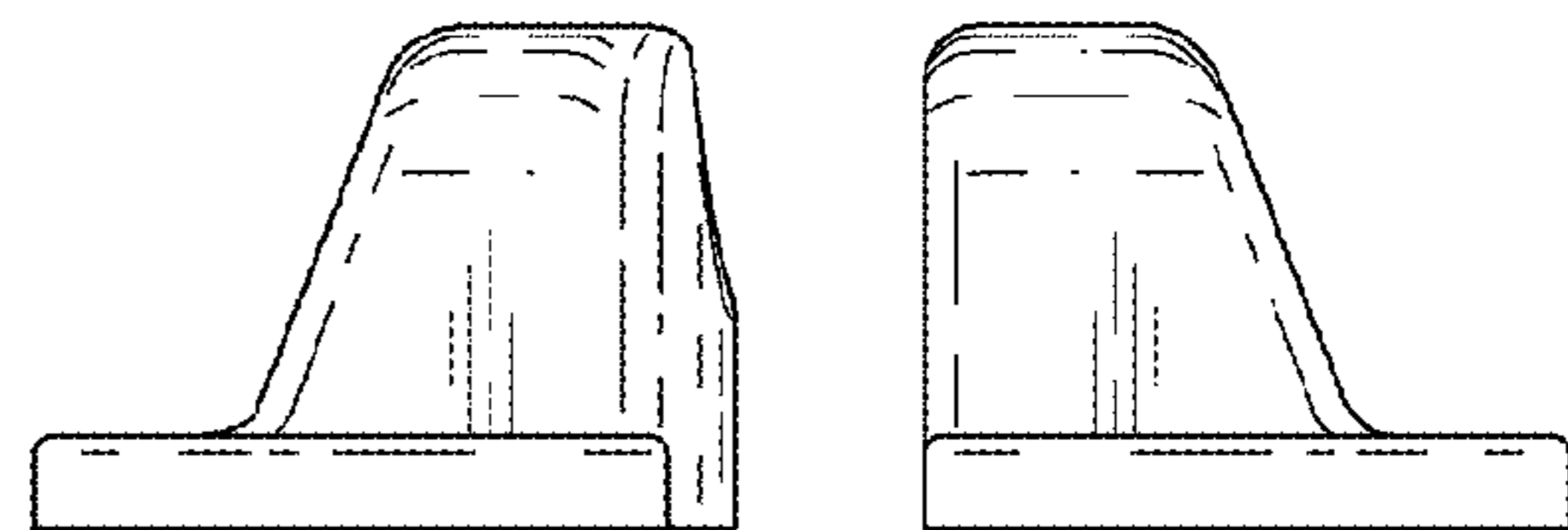
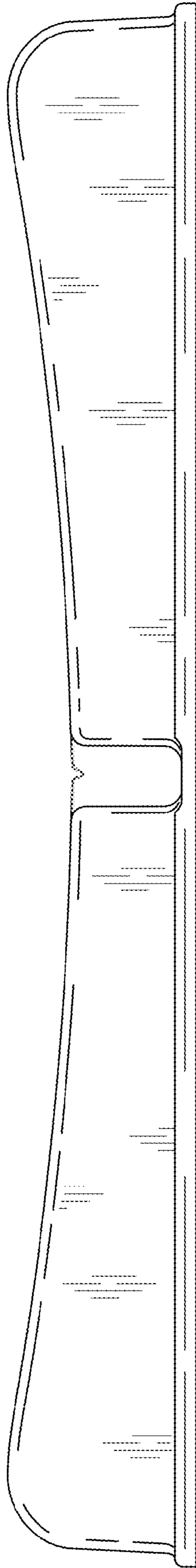


FIG. 4



**FIG. 5**



**FIG. 6**

