



US00D880632S

(12) **United States Design Patent** (10) **Patent No.:** **US D880,632 S**
Foster (45) **Date of Patent:** **** *Apr. 7, 2020**

- (54) **GOLF CLUB HEAD**
- (71) Applicant: **Callaway Golf Company**, Carlsbad, CA (US)
- (72) Inventor: **Philip G. Foster**, San Marcos, CA (US)
- (73) Assignee: **Callaway Golf Company**, Carlsbad, CA (US)
- (*) Notice: This patent is subject to a terminal disclaimer.
- (**) Term: **15 Years**
- (21) Appl. No.: **29/669,815**
- (22) Filed: **Nov. 12, 2018**
- (51) **LOC (12) Cl.** **21-02**
- (52) **U.S. Cl.**
USPC **D21/759**
- (58) **Field of Classification Search**
USPC D21/733, 752, 759
CPC A63B 53/00; A63B 53/04; A63B 53/0466;
A63B 2053/002; A63B 2053/0445; A63B 2053/0433; A63B 2053/0491; A63B 2053/0437; A63B 60/00; A63B 60/46
See application file for complete search history.

D783,104 S *	4/2017	Oliveiro	D21/752
D801,463 S *	10/2017	Kim	D21/759
D801,464 S *	10/2017	Kim	D21/759
D801,465 S *	10/2017	Tang	D21/759
D806,192 S *	12/2017	Tang	D21/759
D812,168 S *	3/2018	Kim	D21/759
D812,702 S *	3/2018	Tang	D21/752
D812,703 S *	3/2018	Tang	D21/752
D813,328 S *	3/2018	Tang	D21/752
D813,331 S *	3/2018	Tang	D21/759
D813,332 S *	3/2018	Tang	D21/759
D813,333 S *	3/2018	Tang	D21/759
2008/0020861 A1*	1/2008	Adams	A63B 53/04 473/334

* cited by examiner

Primary Examiner — Mitchell I. Siegel
(74) *Attorney, Agent, or Firm* — Rebecca Hanovice;
Michael Catania; Sonia Lari

(57) **CLAIM**

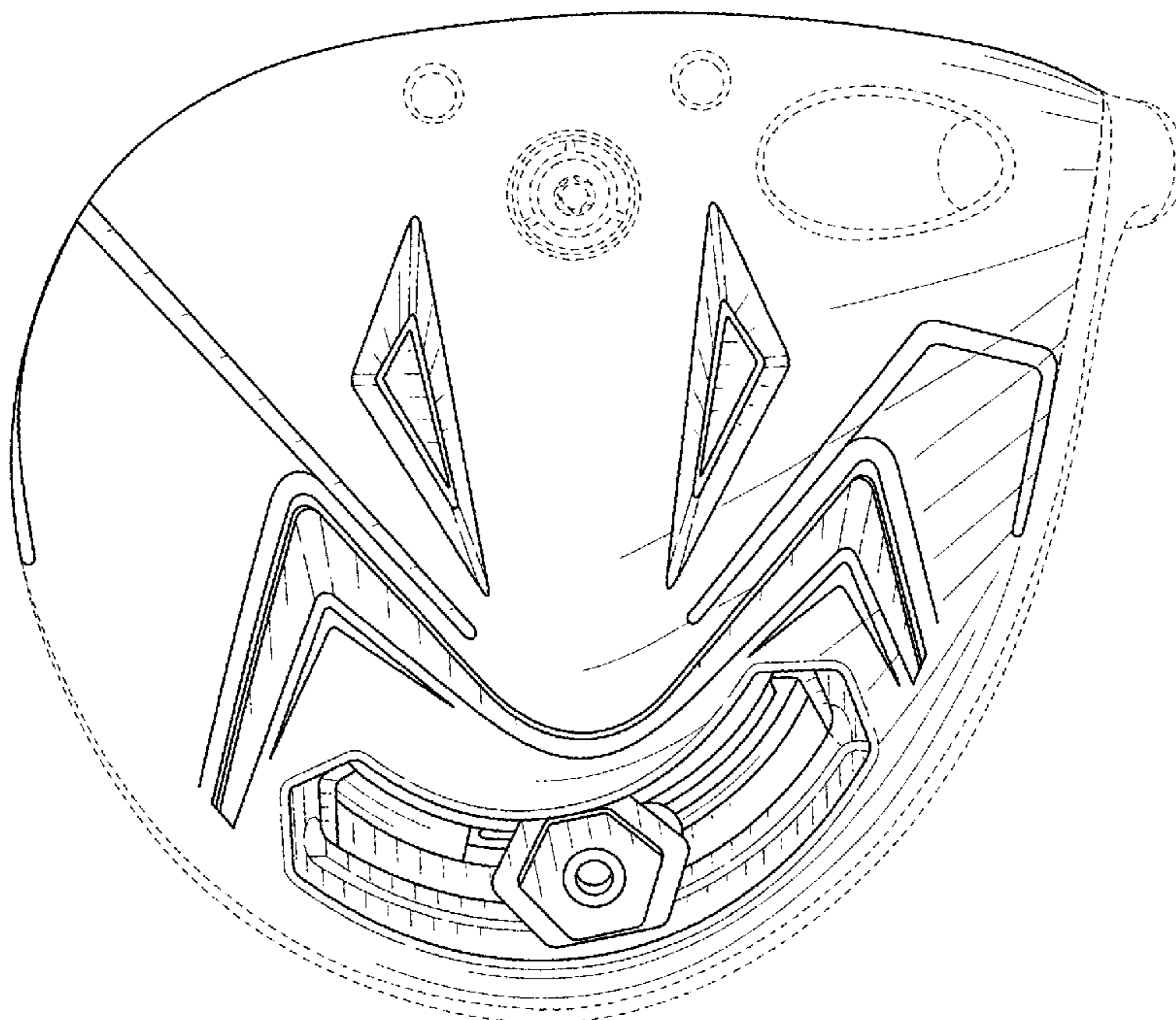
The ornamental design for a golf club head, as shown and described.

DESCRIPTION

FIG. 1 is a rear perspective view of the golf club head claimed herein;
FIG. 2 is a front elevational view thereof;
FIG. 3 is a rear elevational view thereof;
FIG. 4 is a left side elevational view thereof;
FIG. 5 is a right side elevational view thereof;
FIG. 6 is a top plan view thereof; and,
FIG. 7 is a bottom plan view thereof.
The broken lines shown on the drawings are included for the purpose of illustrating unclaimed subject matter and form no part of the claimed design.

1 Claim, 5 Drawing Sheets

- (56) **References Cited**
U.S. PATENT DOCUMENTS
- | | | | | |
|--------------|--------|----------|-------|---------|
| D656,210 S * | 3/2012 | Foster | | D21/752 |
| D665,863 S * | 8/2012 | Gonzalez | | D21/759 |
| D763,996 S * | 8/2016 | Kim | | D21/759 |
| D763,997 S * | 8/2016 | Tang | | D21/759 |
| D763,998 S * | 8/2016 | Tang | | D21/759 |



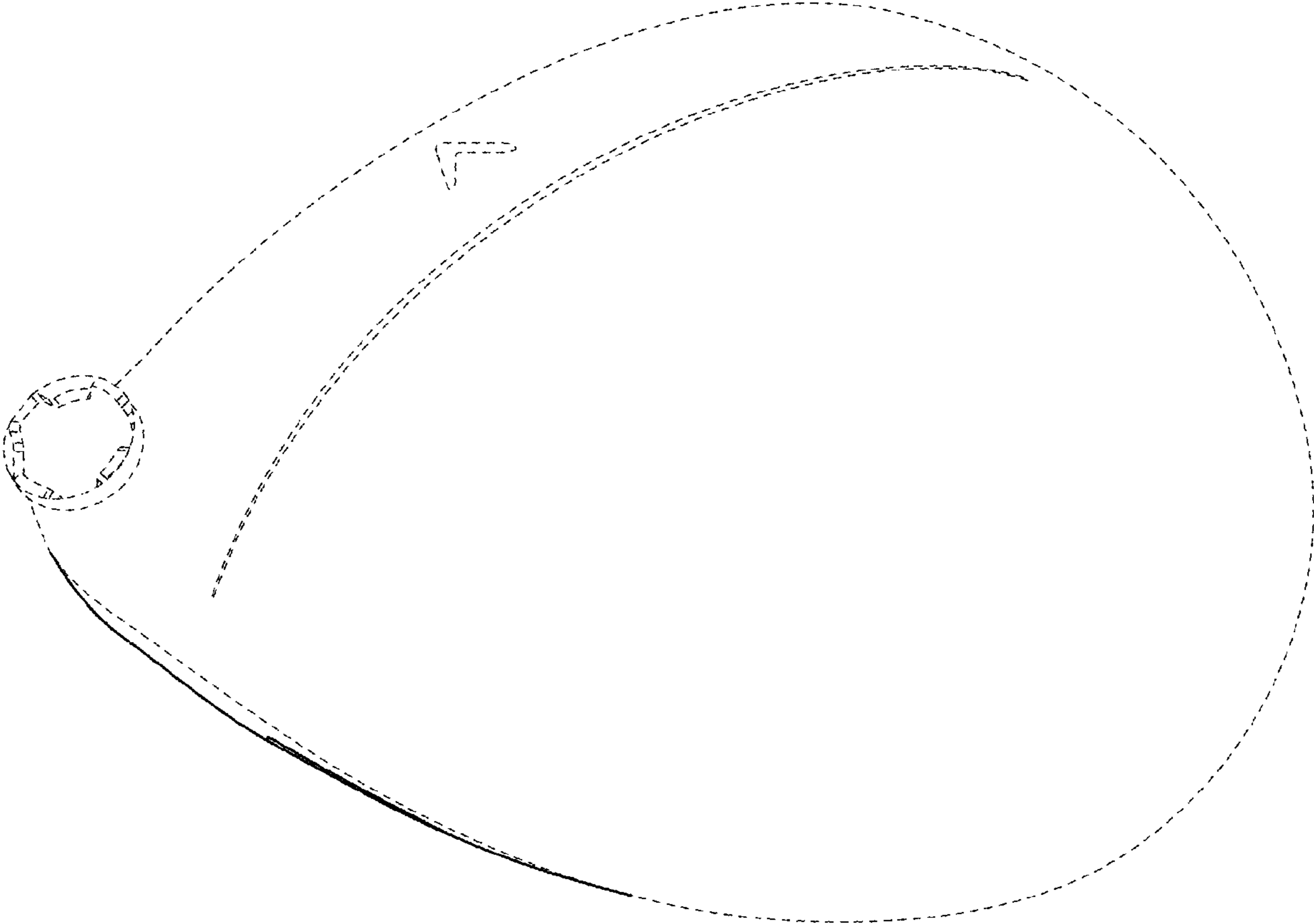


FIG. 1

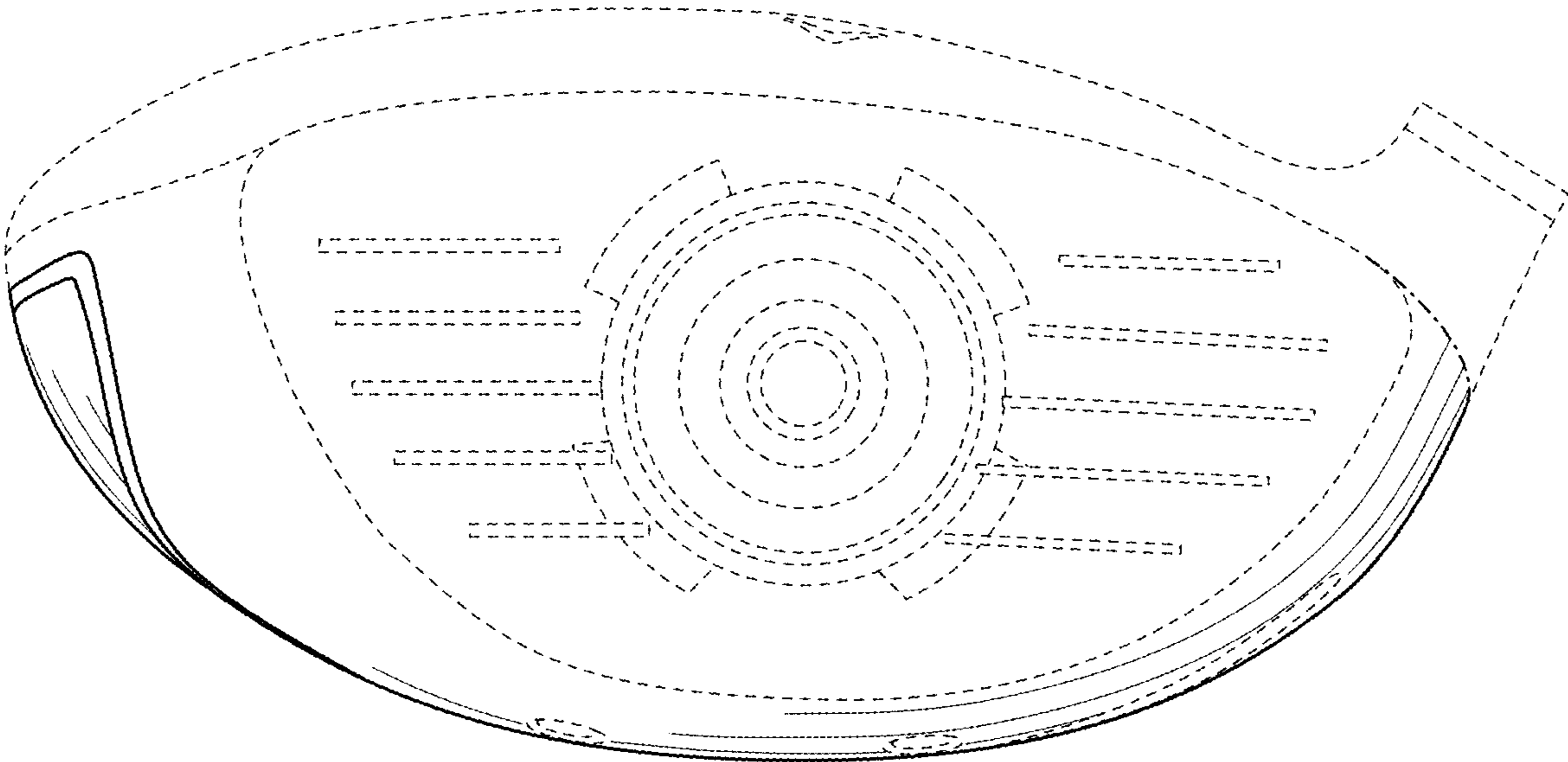


FIG. 2

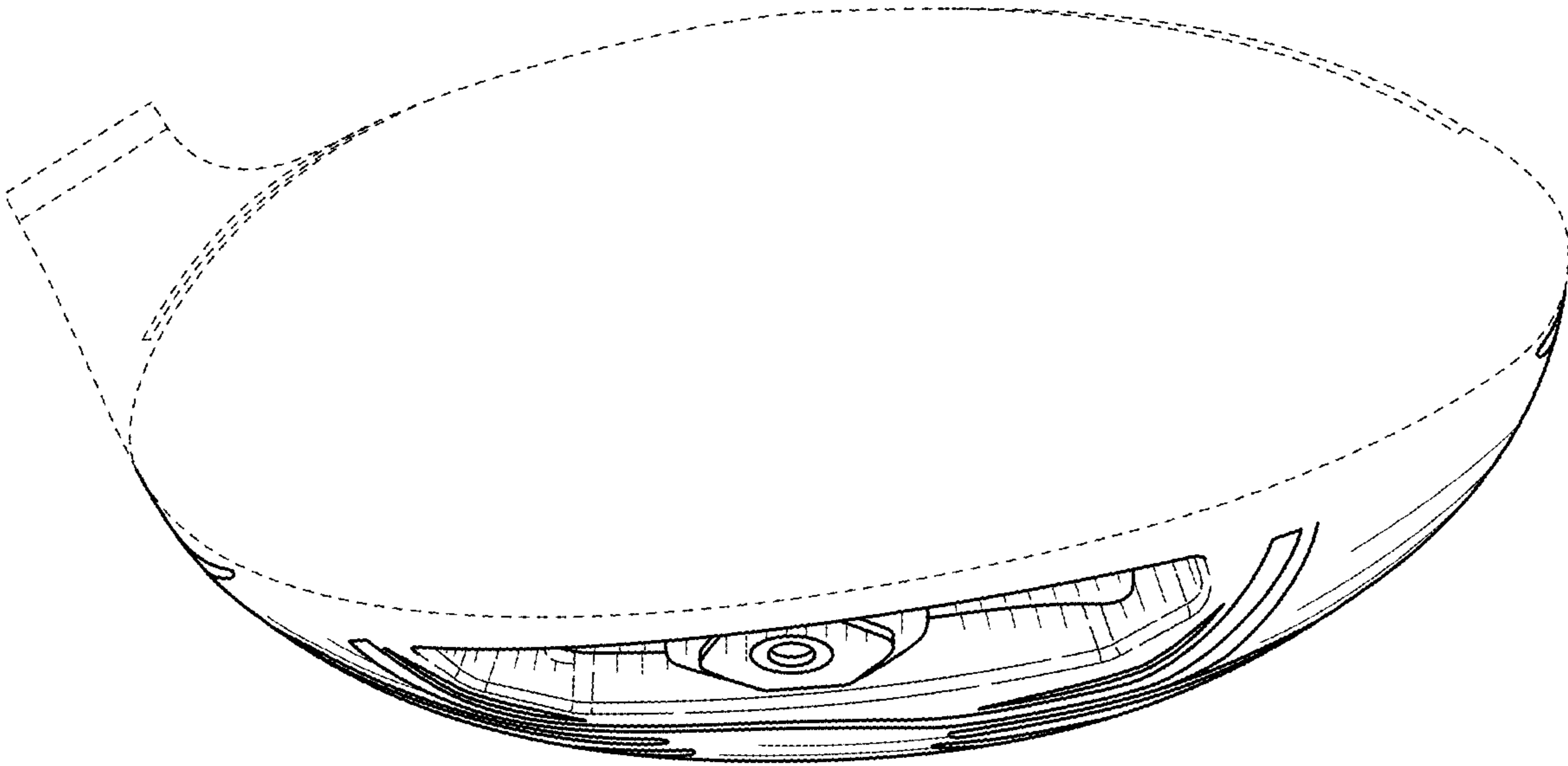


FIG. 3

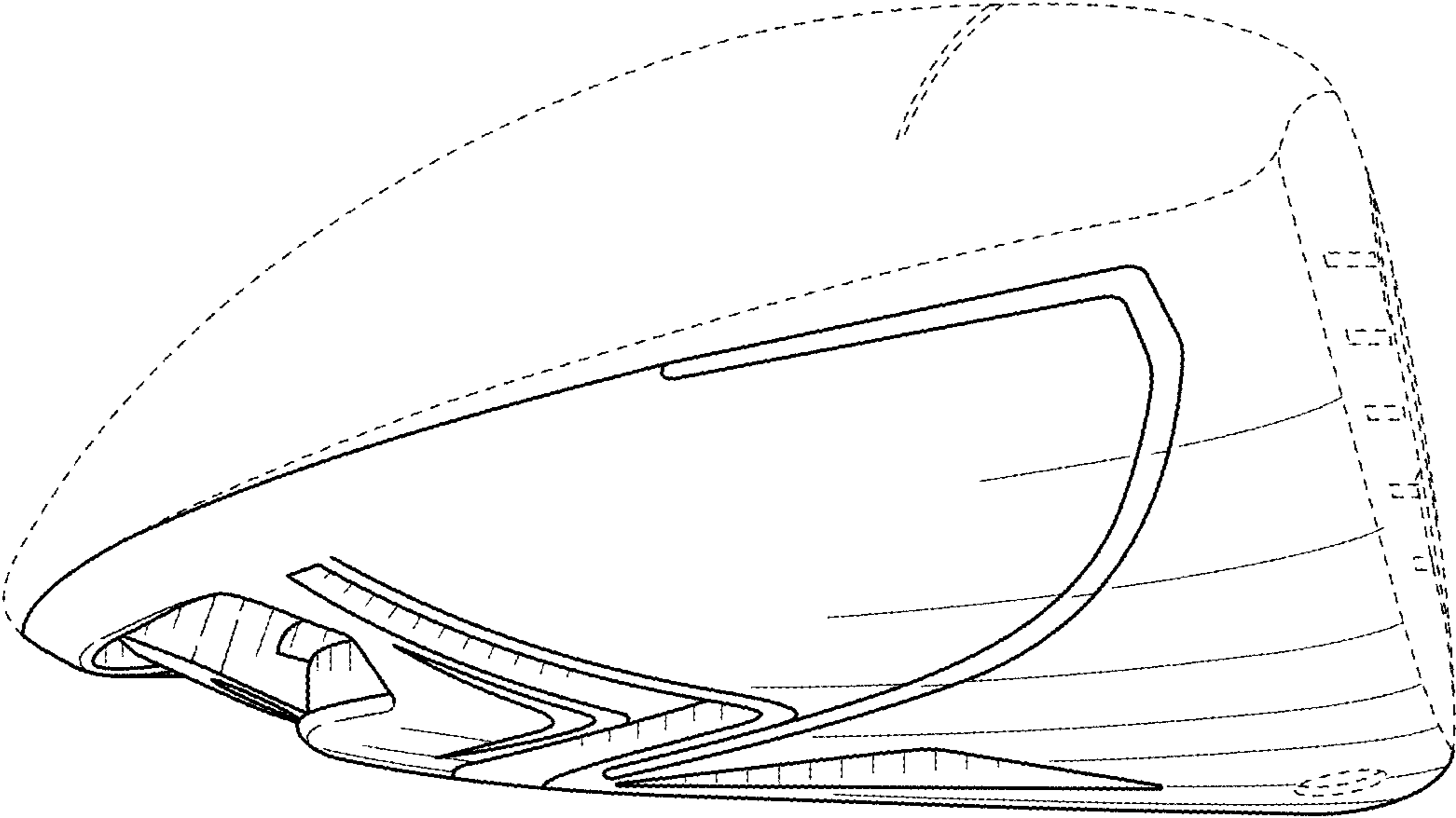


FIG. 4

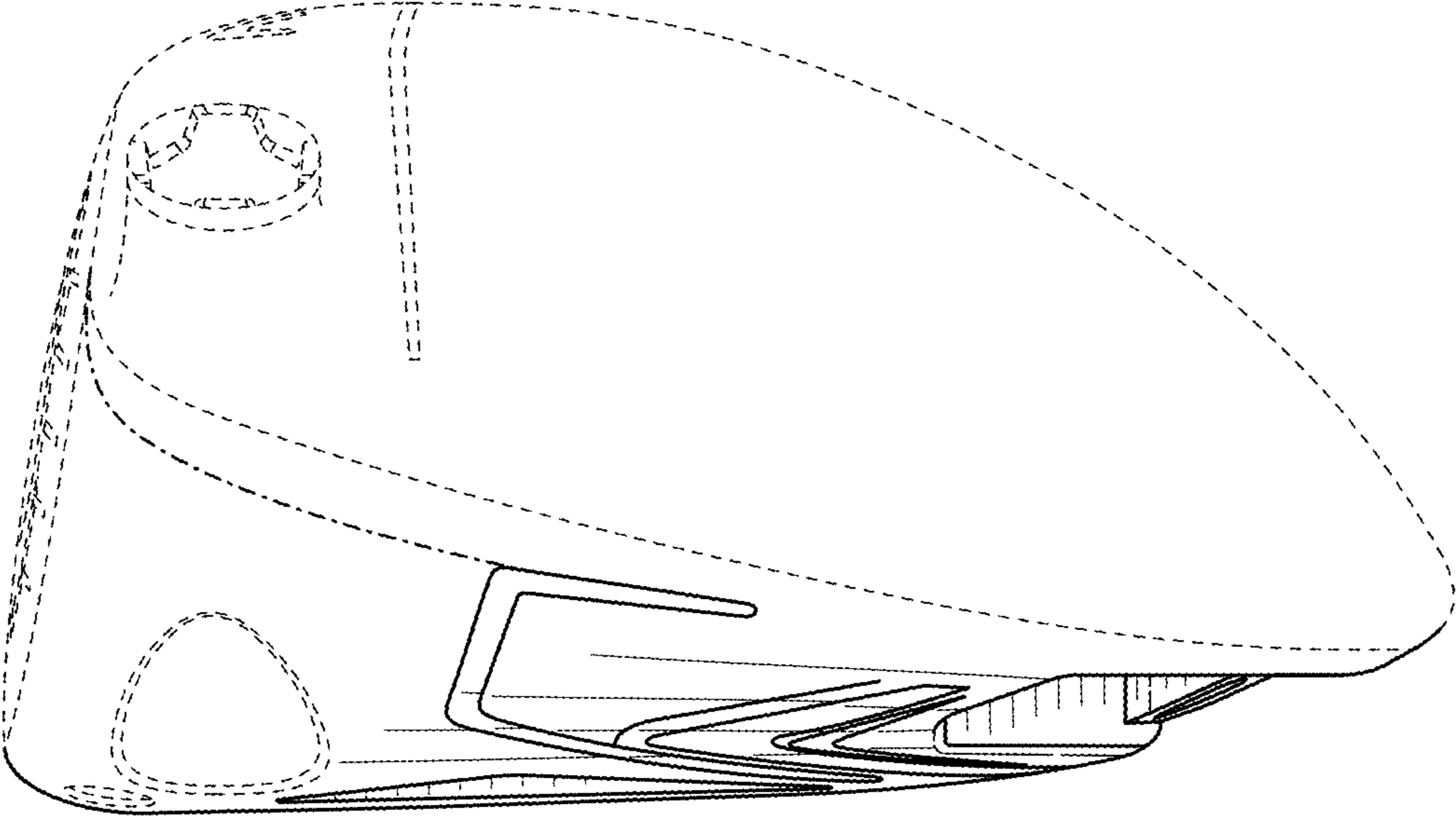


FIG. 5

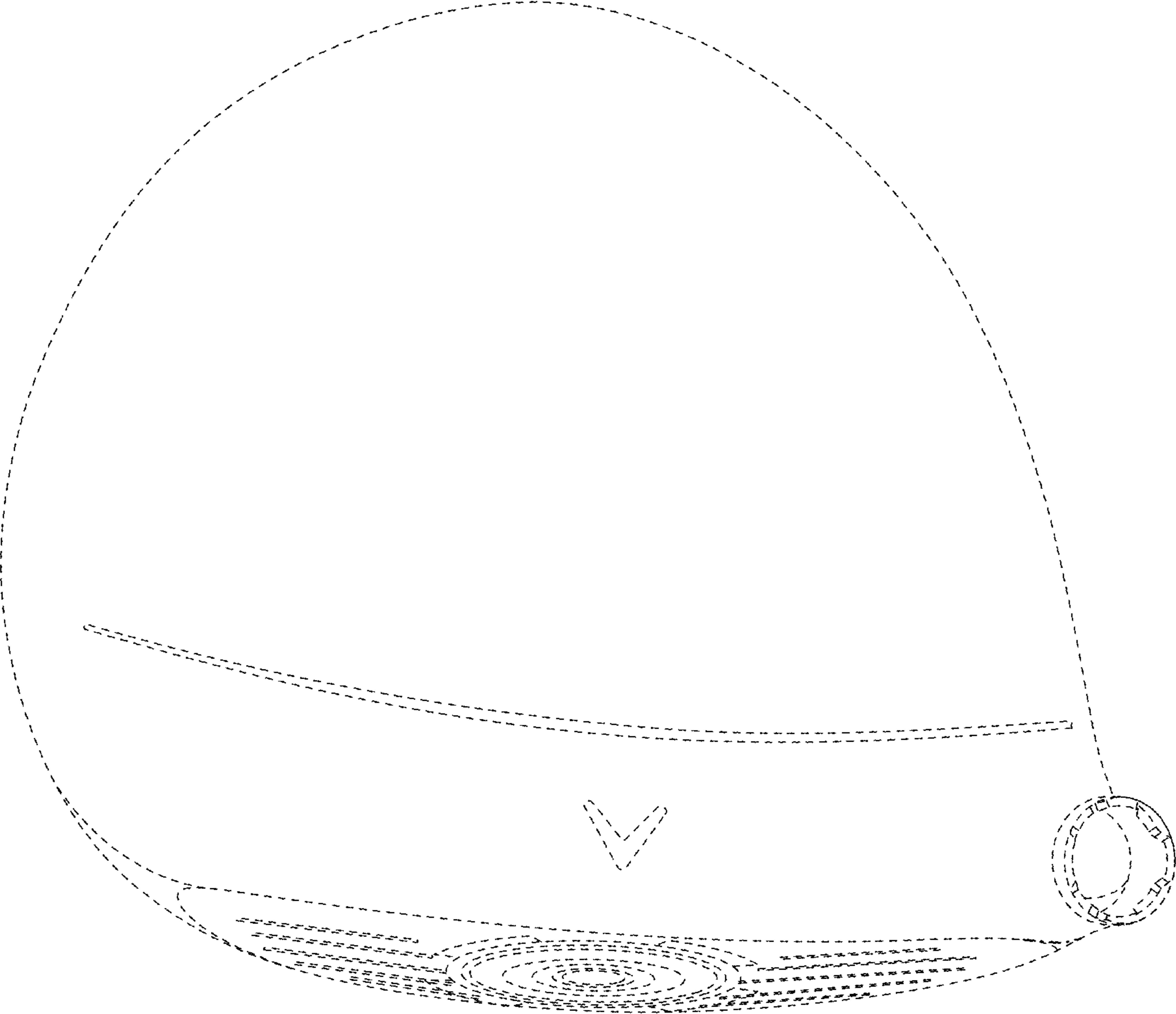


FIG. 6

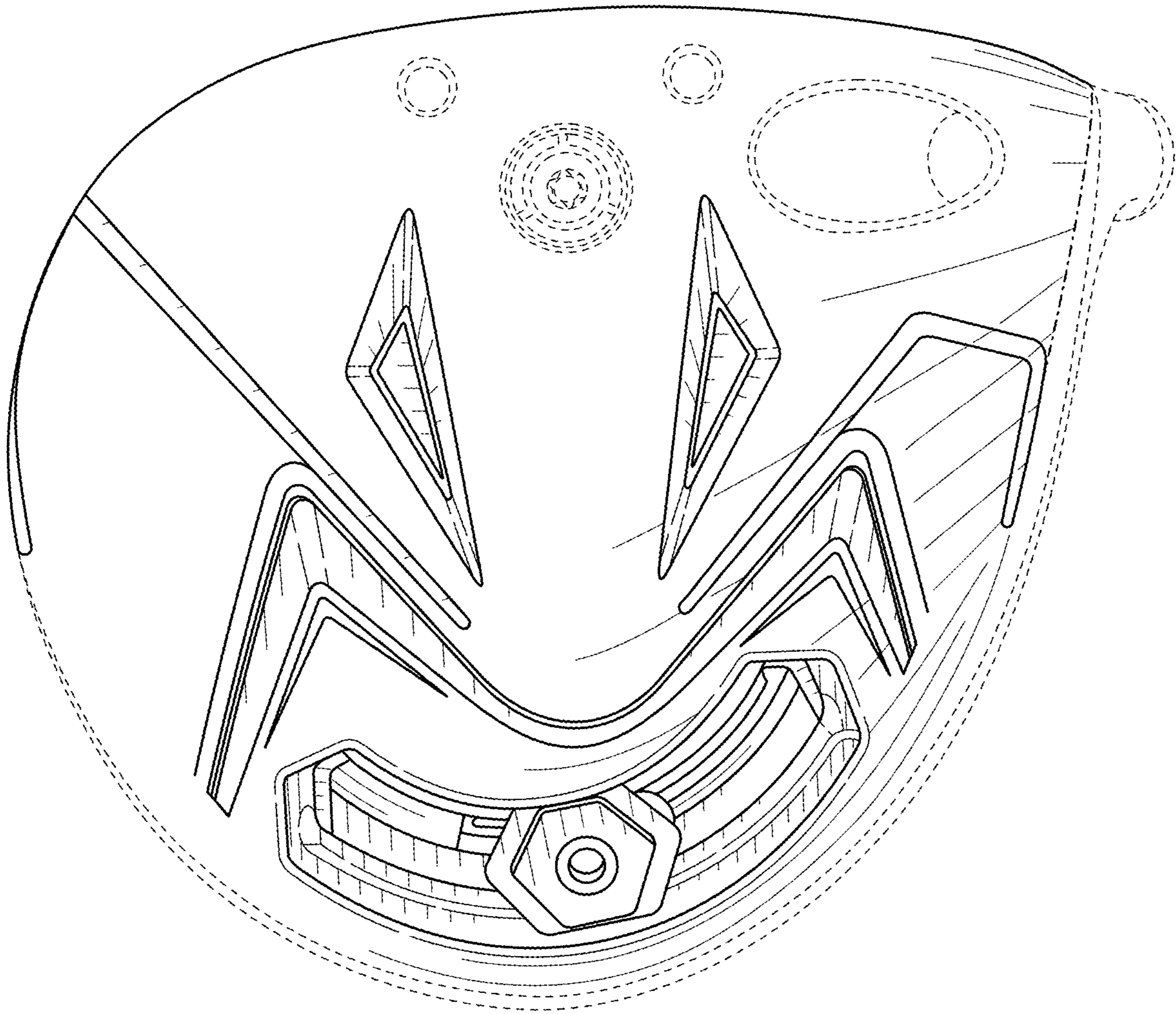


FIG. 7