



US00D880629S

(12) **United States Design Patent**
Wills

(10) **Patent No.:** **US D880,629 S**
(45) **Date of Patent:** **** Apr. 7, 2020**

(54) **BATTING TEE FOR PRACTICING A BATTING SWING**
(71) Applicant: **Christopher L. Wills**, Aiken, SC (US)
(72) Inventor: **Christopher L. Wills**, Aiken, SC (US)
(**) Term: **15 Years**

6,663,513 B2 * 12/2003 Howard A63B 69/0002
273/348
6,884,185 B2 * 4/2005 Udwin A63B 69/0075
473/417
D563,496 S 3/2008 Hawkins
D566,801 S 4/2008 Grant
7,458,907 B2 12/2008 Wang
D627,411 S 11/2010 Windsor
(Continued)

(21) Appl. No.: **29/620,954**
(22) Filed: **Sep. 6, 2017**
(51) **LOC (12) Cl.** **21-02**
(52) **U.S. Cl.**
USPC **D21/717**
(58) **Field of Classification Search**
USPC D21/314, 315, 355, 358, 465, 713-719,
D21/723, 725, 726, 733-736, 739,
D21/742-759, 780, 781, 789-796;
473/417
CPC A63B 69/00; A63B 69/0002; A63B
2069/0004; A63B 2069/0006; A63B
2069/0008; A63B 2069/0011; A63B
69/0091; A63B 69/0073; A63B 43/007;
B64D 23/00
See application file for complete search history.

FOREIGN PATENT DOCUMENTS

WO WO-2016196769 A1 * 12/2016 A63B 69/0002
Primary Examiner — Sandra S Snapp
Assistant Examiner — Mehri F Bajoul
(74) *Attorney, Agent, or Firm* — Suzanne Kikel

(56) **References Cited**

U.S. PATENT DOCUMENTS

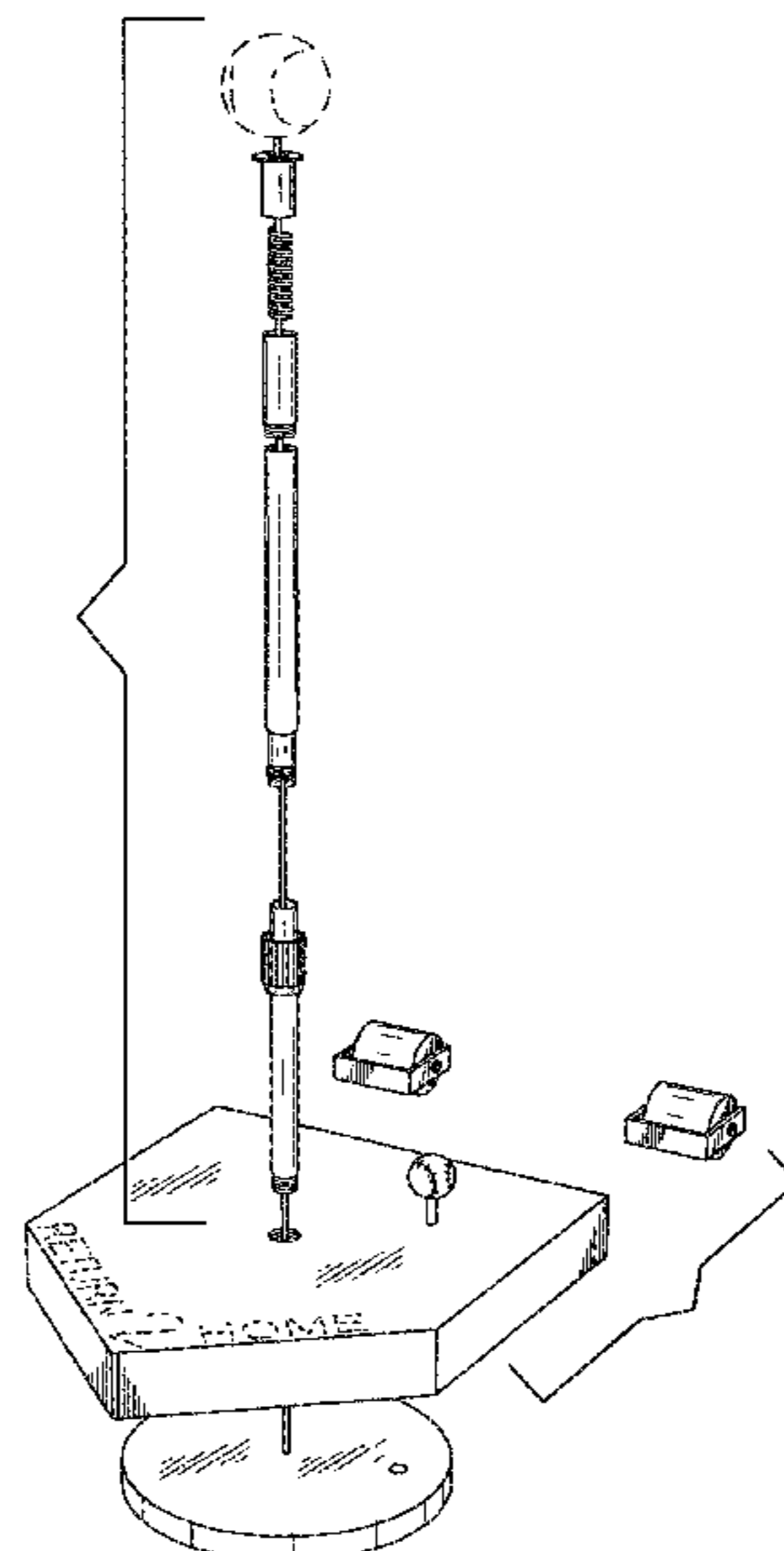
3,874,662 A 4/1975 Harrington
D263,979 S 4/1982 Van Gerpen et al.
4,681,318 A * 7/1987 Lay A63B 69/0091
473/423
4,989,866 A * 2/1991 Dill A63B 69/0075
473/417
5,415,396 A 5/1995 Huang
D373,806 S 9/1996 Bunnell
D430,243 S 8/2000 Alberti et al.
D430,629 S 9/2000 Alberti
D479,290 S * 9/2003 DeChenne D21/717
6,616,554 B2 * 9/2003 Liao A63B 69/0075
473/417

(57) **CLAIM**
The ornamental design for a batting tee for practicing a batting swing, as shown and described.

DESCRIPTION

FIG. 1 is an exploded perspective view of a batting tee for practicing a batting swing, showing my new design.
FIG. 2 is a perspective view of the batting tee for practicing a batting swing of FIG. 1 in assembled form in a maximum height configuration.
FIG. 3 is a perspective view of the batting tee for practicing a batting swing of FIG. 2 in a minimum height configuration.
FIG. 4 is a front elevational view of the batting tee for practicing a batting swing of FIG. 2.
FIG. 5 is a rear elevational view thereof.
FIG. 6 is a right side elevational view thereof.
FIG. 7 is a left side elevational view thereof.
FIG. 8 is a bottom plan view thereof; and,
FIG. 9 is a top plan view thereof.
The broken lines of an associated baseball and the words "RETURN 2 HOME" on the batting tee for practicing a batting swing form no part of the claimed design.

1 Claim, 8 Drawing Sheets



(56)

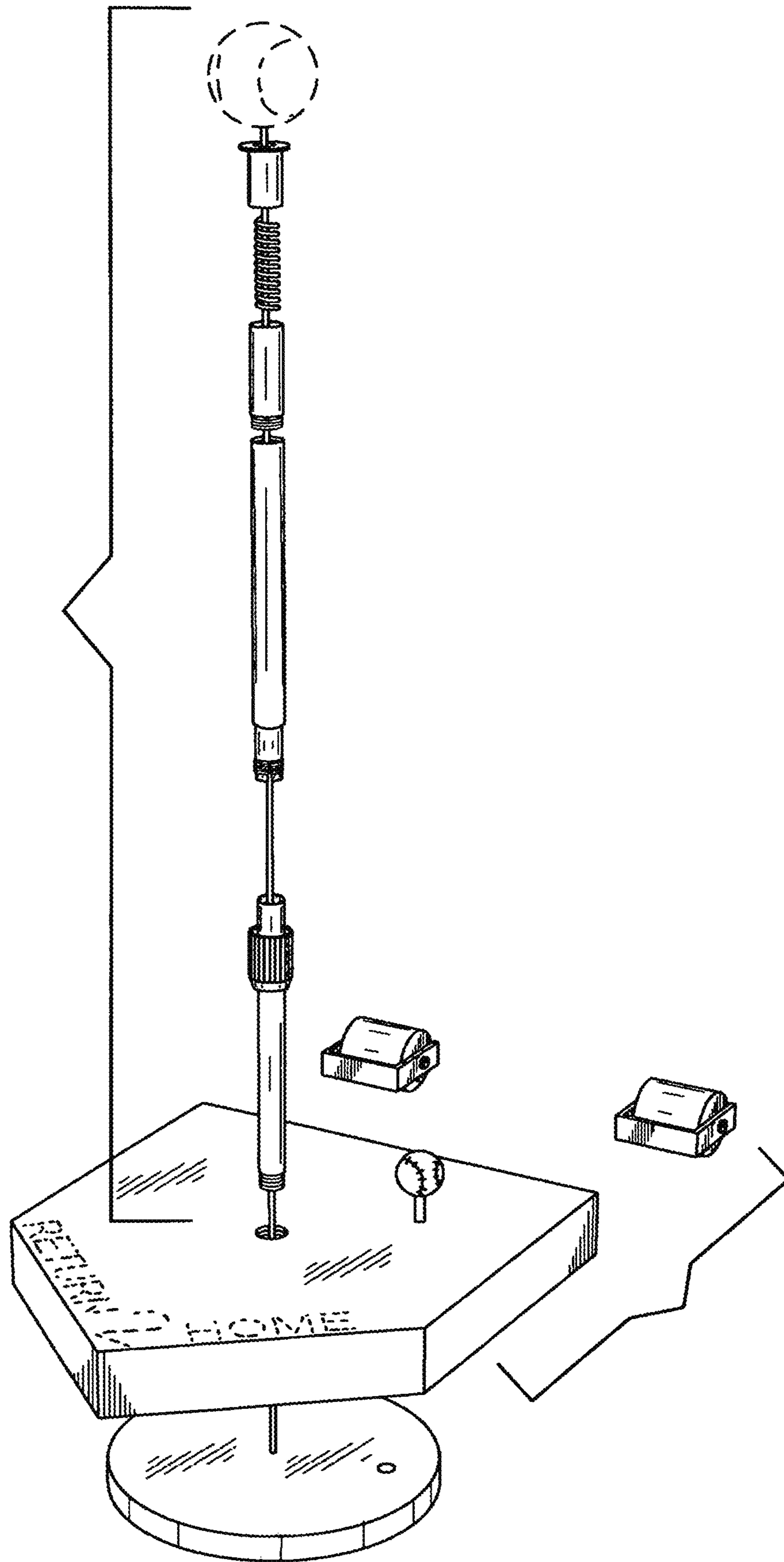
References Cited

U.S. PATENT DOCUMENTS

7,887,441	B1	2/2011	Archer	
D633,583	S	3/2011	Guevara	
D638,079	S *	5/2011	Cheng	D21/717
D639,362	S *	6/2011	Davies	D21/744
8,029,389	B2 *	10/2011	Chiu	A63B 69/0073 473/417
8,162,780	B2 *	4/2012	Wang	A63B 69/0075 473/417
8,246,493	B1	8/2012	Ling	
9,050,516	B2 *	6/2015	Holland	A63B 69/0075
D810,214	S *	2/2018	Su	D21/717
2007/0184946	A1 *	8/2007	Kuhagen	A63B 21/02 482/110
2008/0254917	A1 *	10/2008	Fischer	A63B 69/0075 473/417
2009/0082140	A1 *	3/2009	Liao	A63B 69/0002 473/417
2012/0165136	A1 *	6/2012	Durham	A63B 69/0075 473/417
2012/0190482	A1	7/2012	Cottreau et al.	
2014/0187361	A1 *	7/2014	Carlson	A63B 69/0013 473/497
2014/0296000	A1 *	10/2014	Chen	A63B 69/0075 473/417
2017/0120128	A1 *	5/2017	Cruz	A63B 69/0002

* cited by examiner

FIG. 1



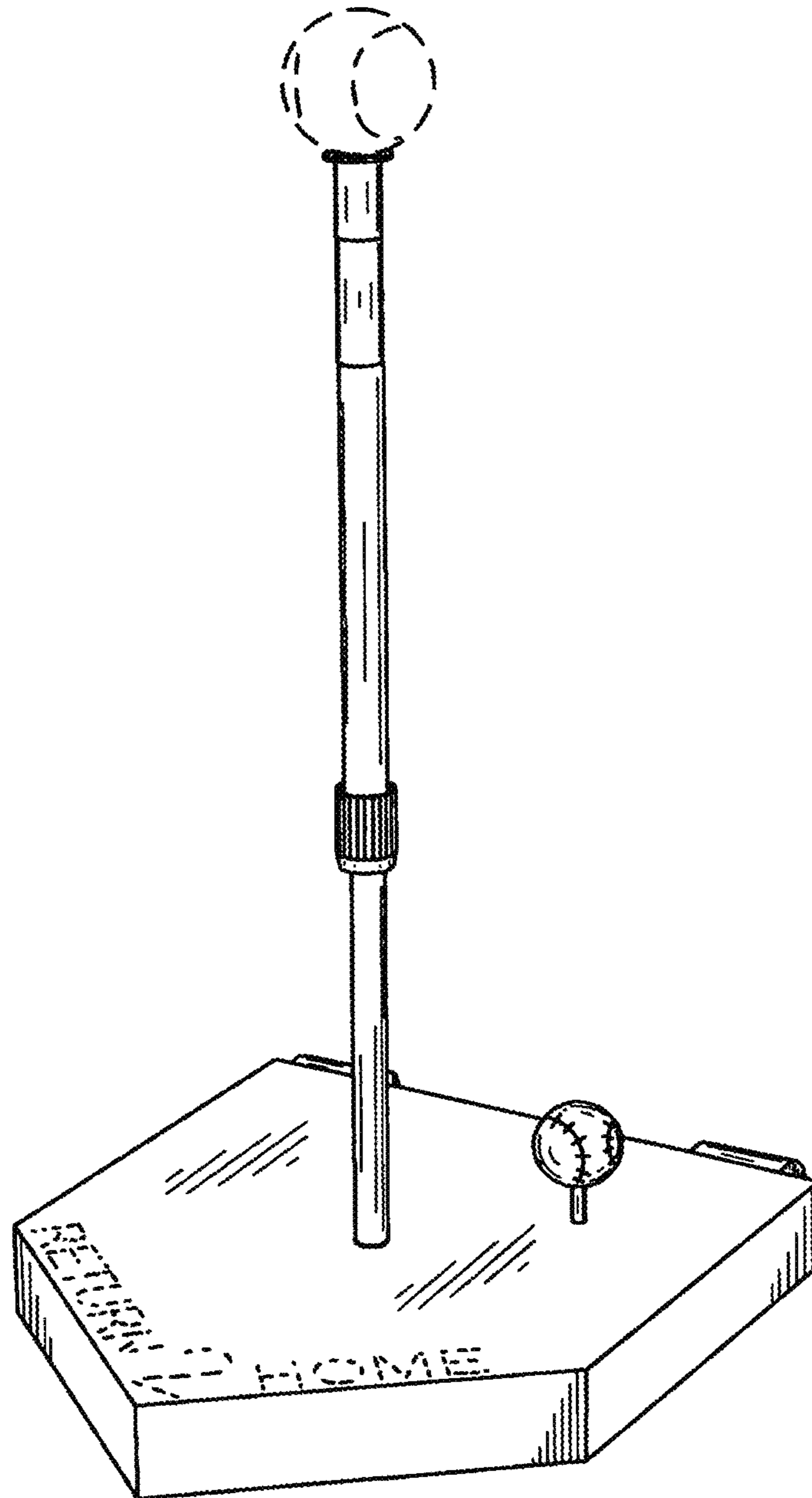


FIG. 2

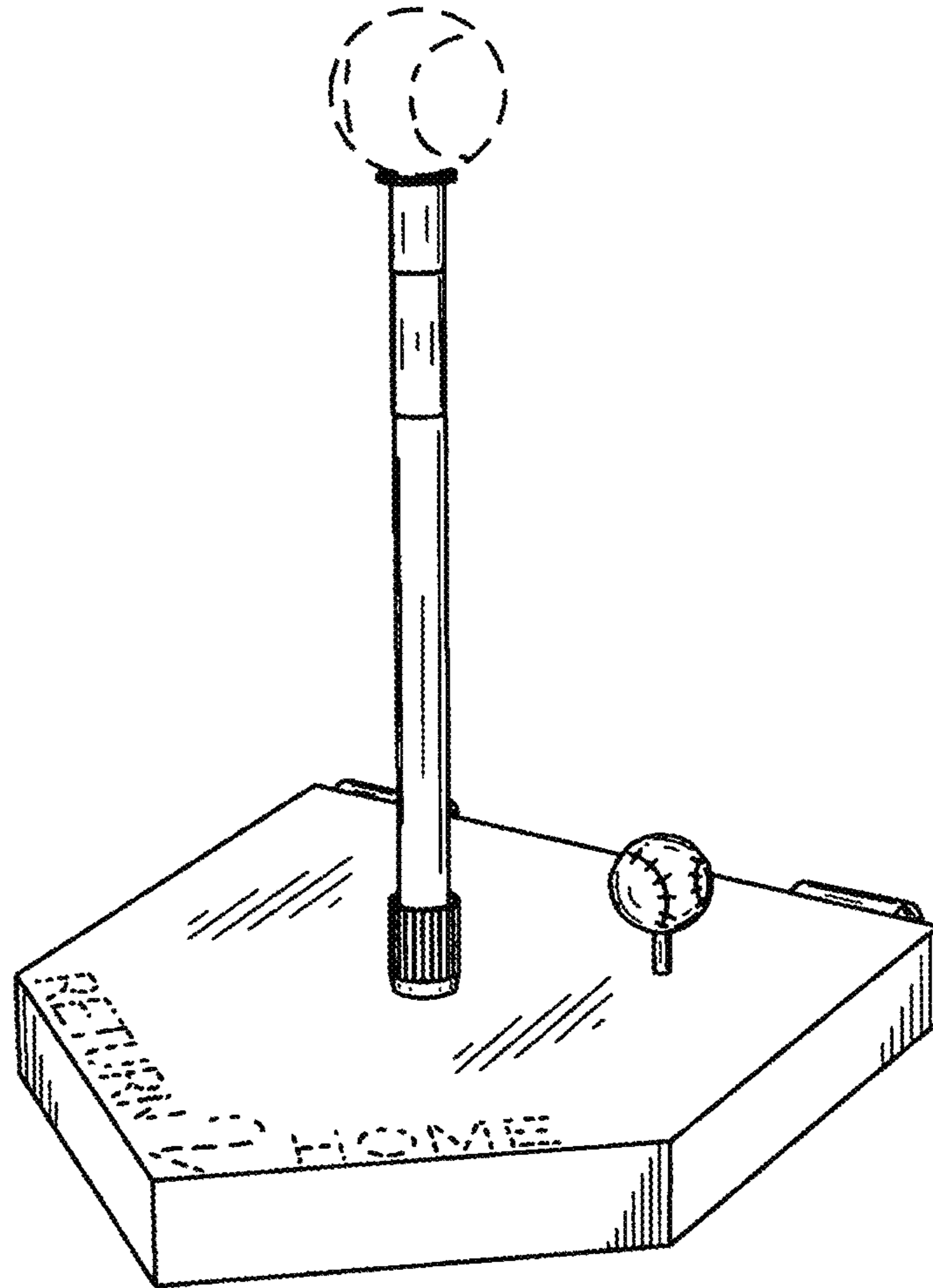


FIG. 3

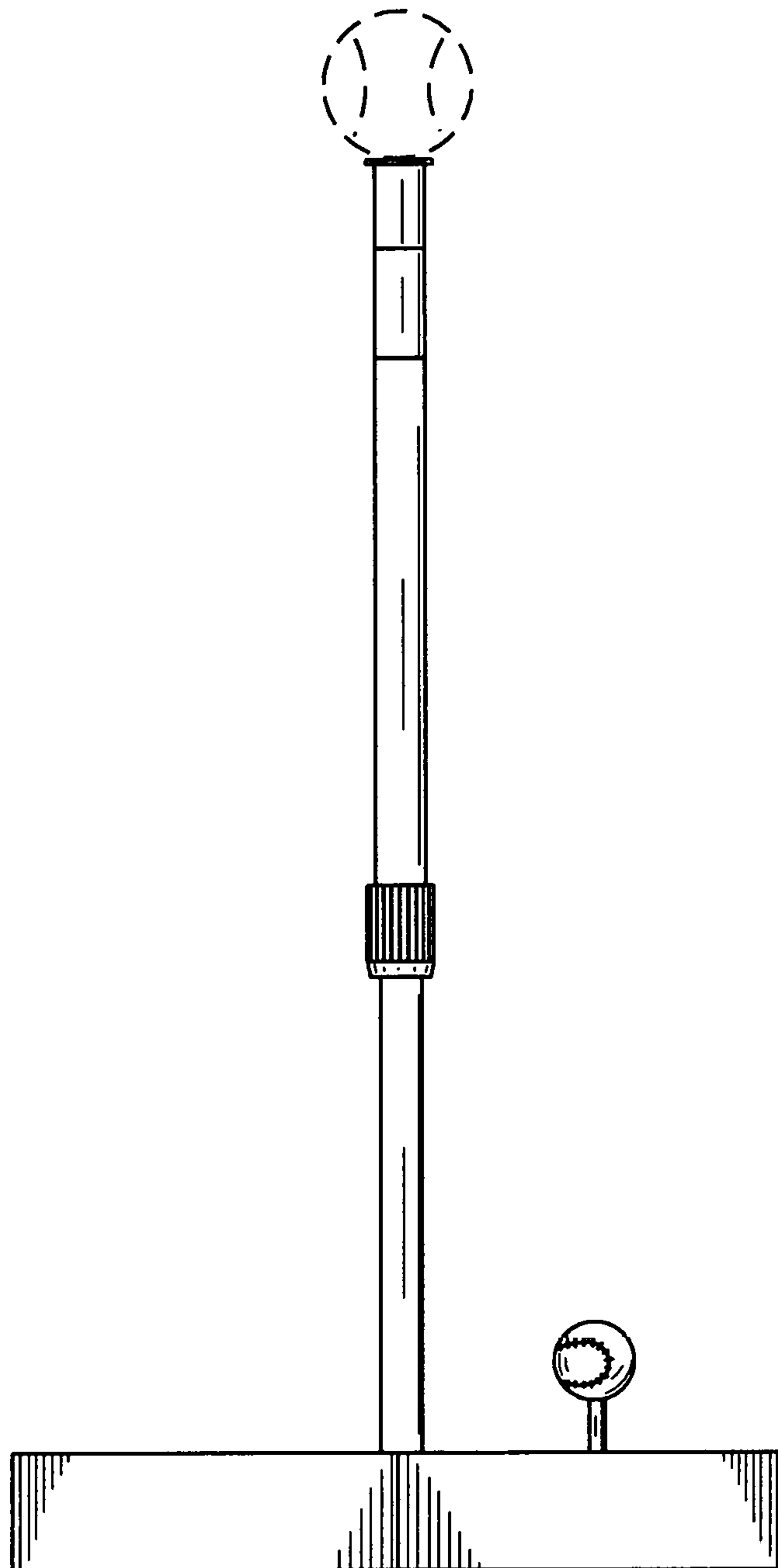


FIG. 4

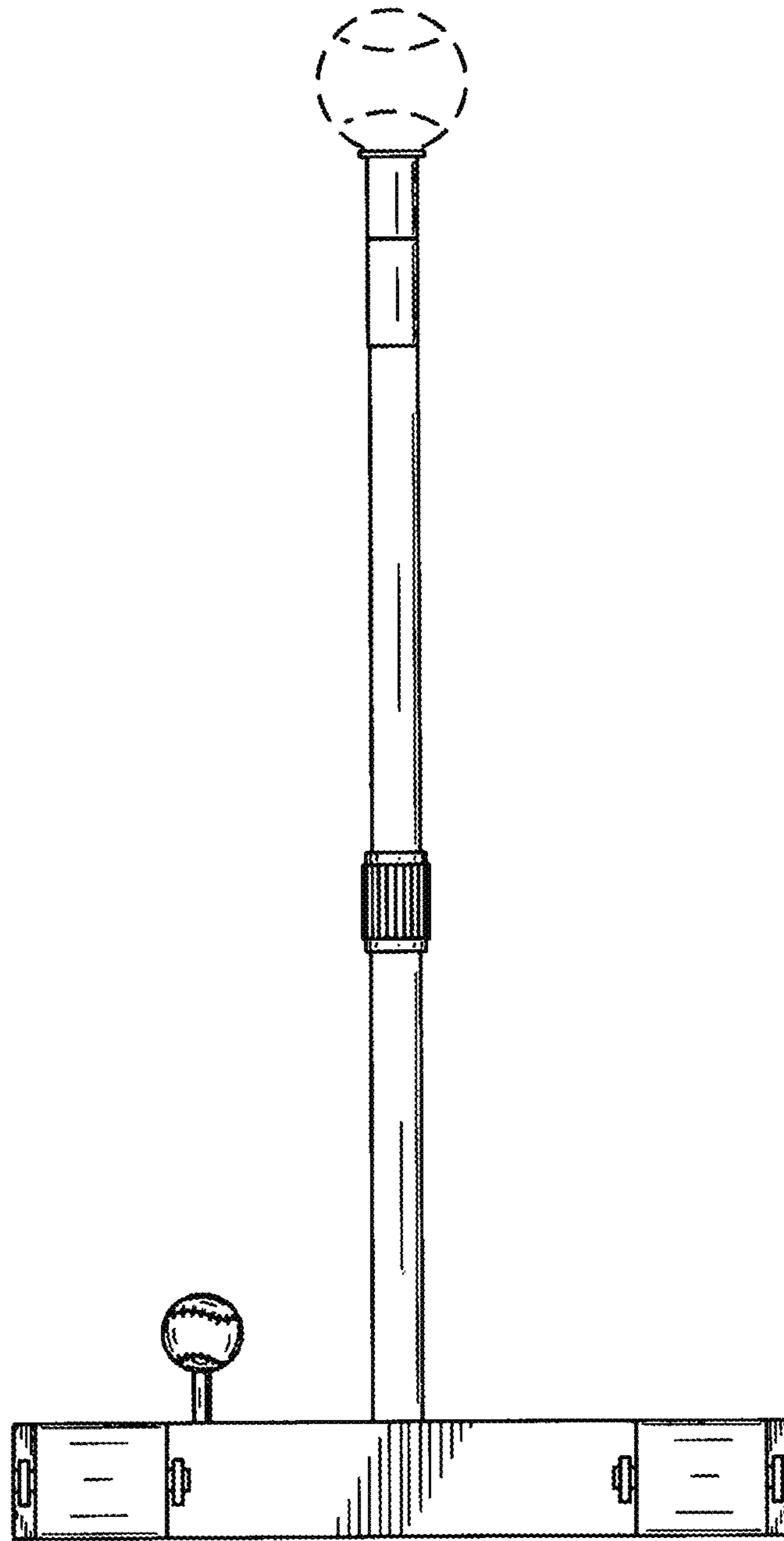


FIG. 5

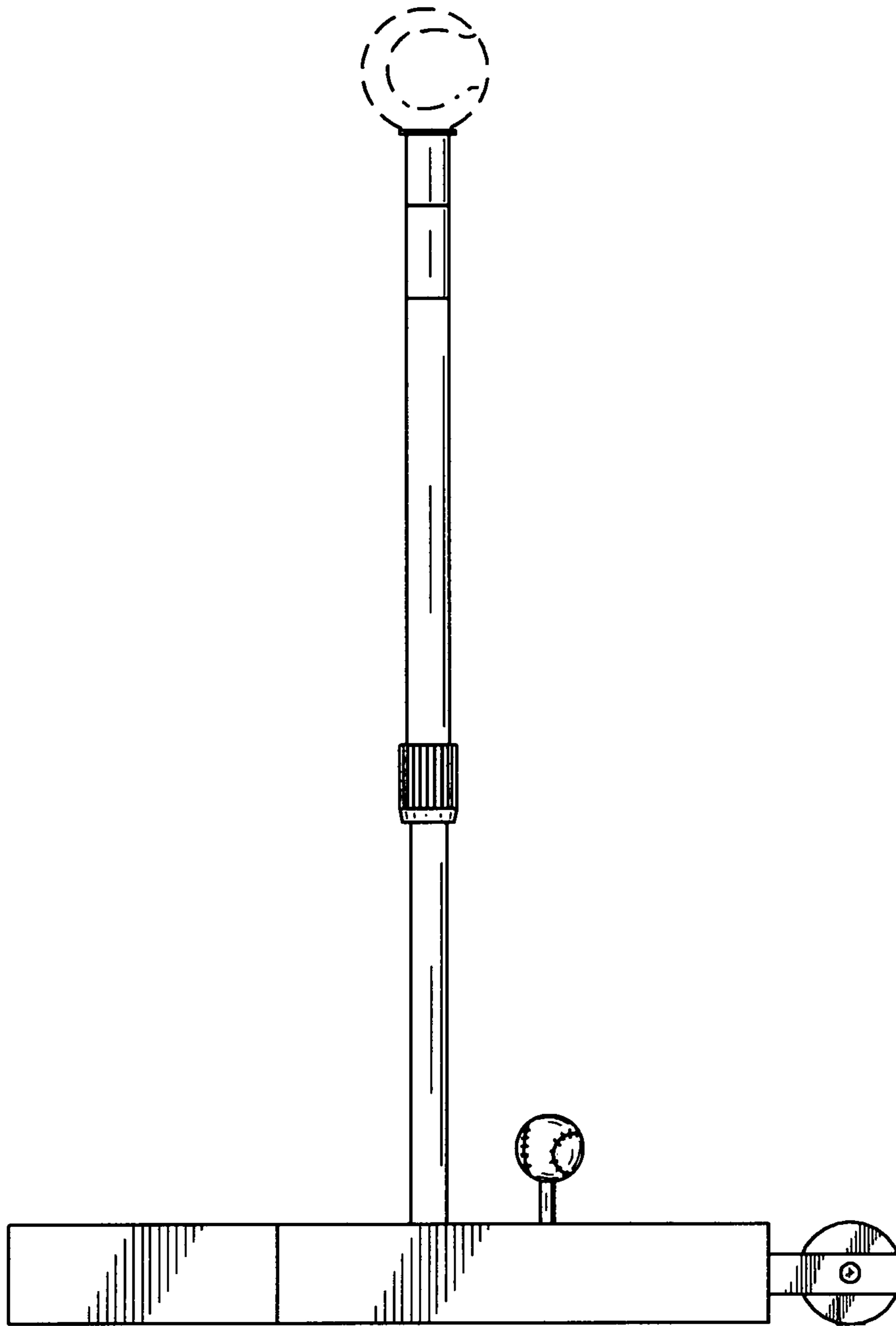


FIG. 6

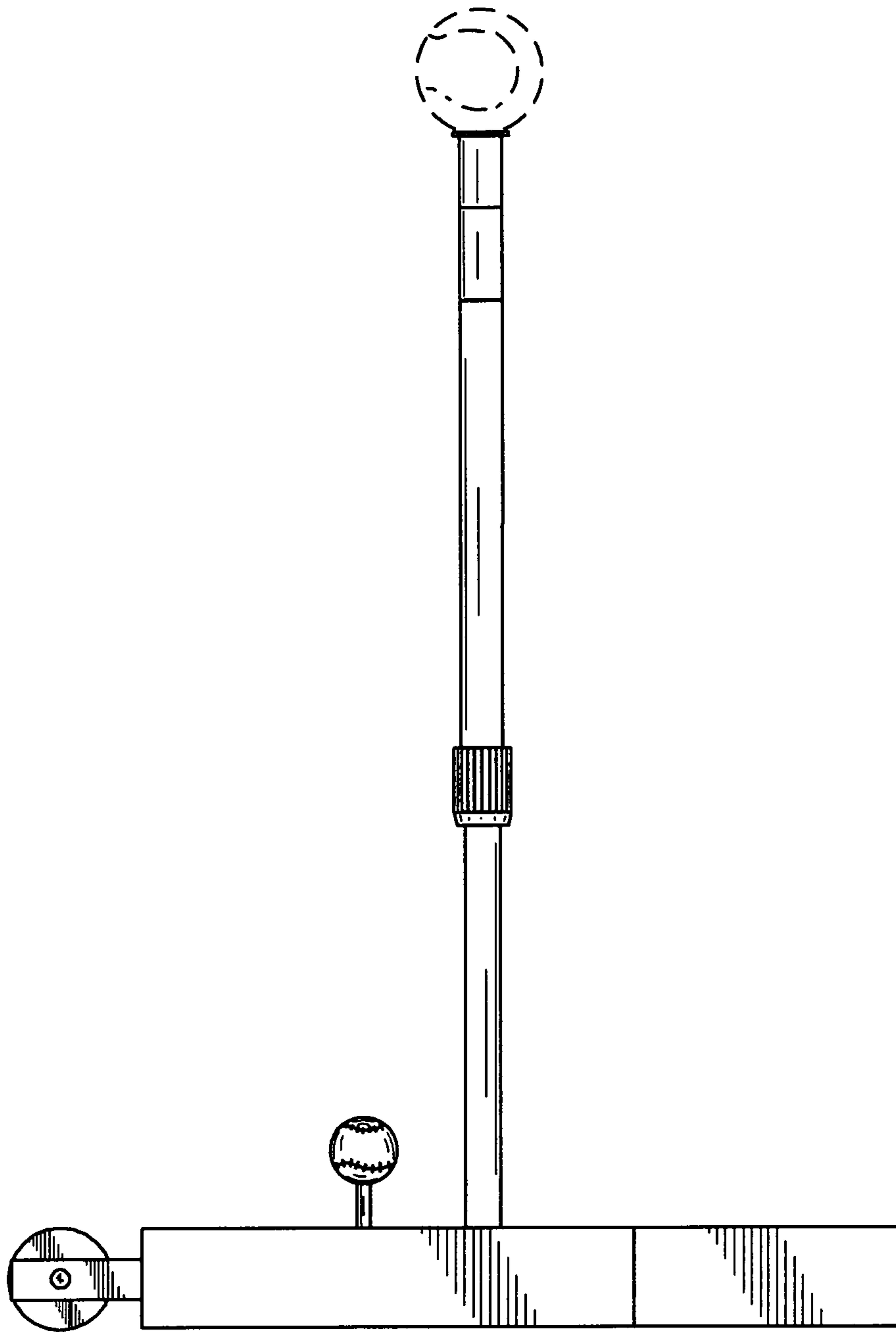


FIG. 7

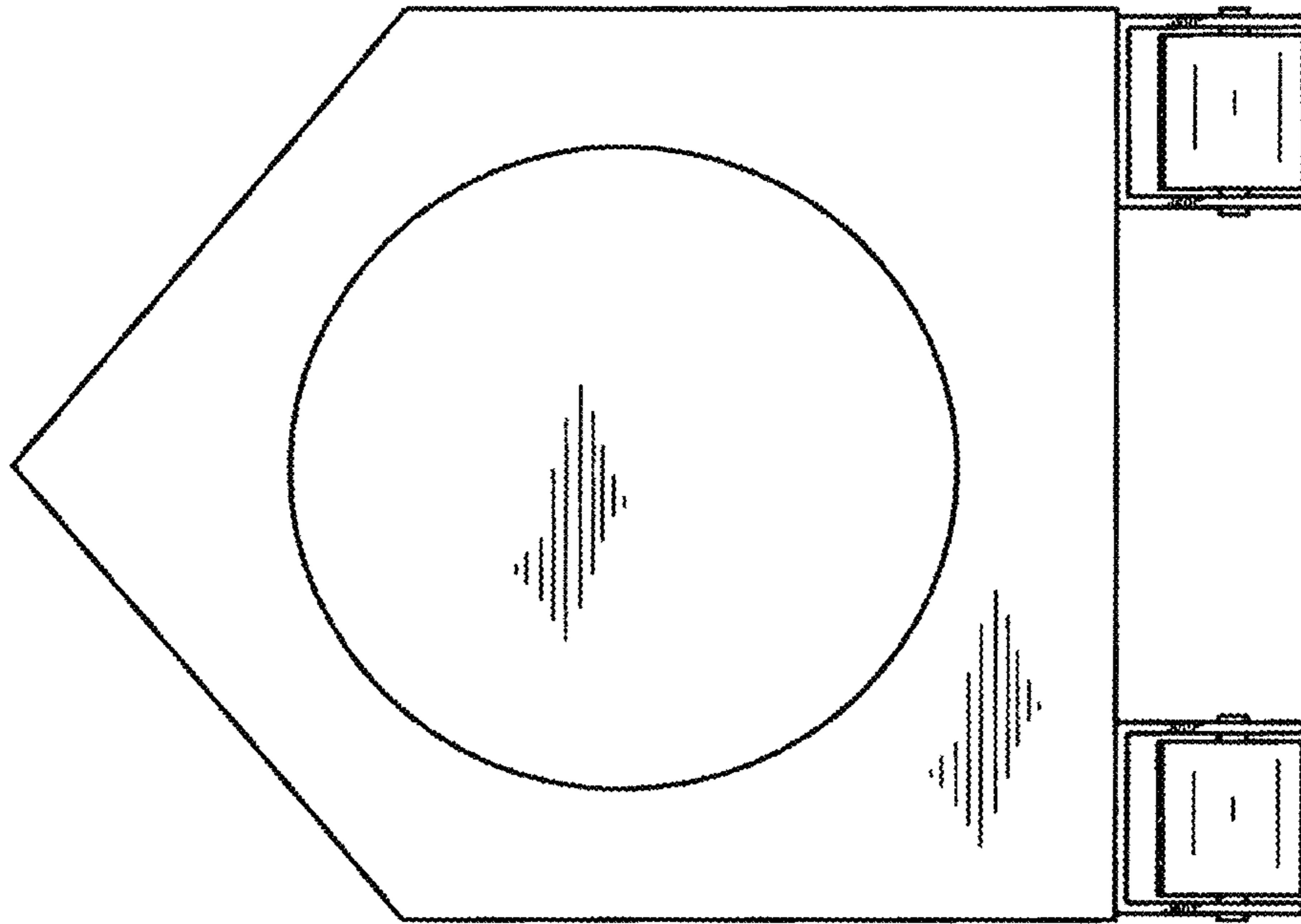


FIG. 8

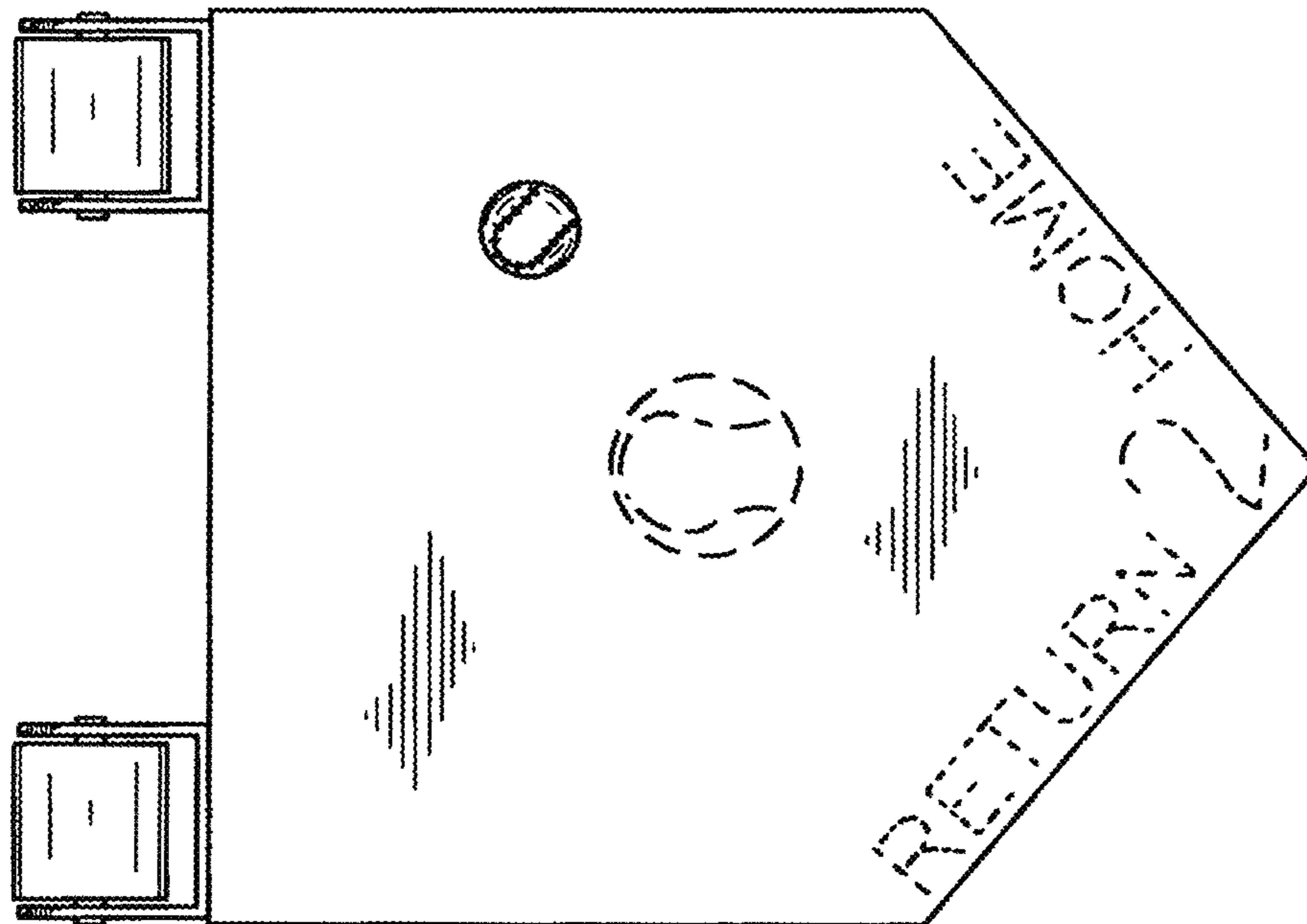


FIG. 9