



US00D880627S

(12) **United States Design Patent**
Miller et al.

(10) **Patent No.:** **US D880,627 S**

(45) **Date of Patent:** **** Apr. 7, 2020**

(54) **TOY CARICATURE BODY**

(71) Applicants: **Jordan Alexandra Miller**, Boise, ID
(US); **Daniel Aaron Kunz**, San Diego,
CA (US)

(72) Inventors: **Jordan Alexandra Miller**, Boise, ID
(US); **Daniel Aaron Kunz**, San Diego,
CA (US)

(**) Term: **15 Years**

(21) Appl. No.: **29/684,334**

(22) Filed: **Mar. 20, 2019**

(51) **LOC (12) Cl.** **21-01**

(52) **U.S. Cl.**
USPC **D21/658**

(58) **Field of Classification Search**
USPC D21/623, 630, 658, 659, 611; D11/1, 86;
D1/127, 130
CPC A63H 3/00
See application file for complete search history.

(56) **References Cited**

U.S. PATENT DOCUMENTS

D295,653 S * 5/1988 Colclasure D21/627
D403,720 S * 1/1999 Colinelli D21/627

D403,725 S * 1/1999 Colinelli D21/627
D403,726 S * 1/1999 Colinelli D21/627
D459,569 S * 7/2002 Raine D1/127
D869,122 S * 12/2019 Zarro D1/130

* cited by examiner

Primary Examiner — Zenia I Bennett

(74) *Attorney, Agent, or Firm* — Cooper Legal Group,
LLC

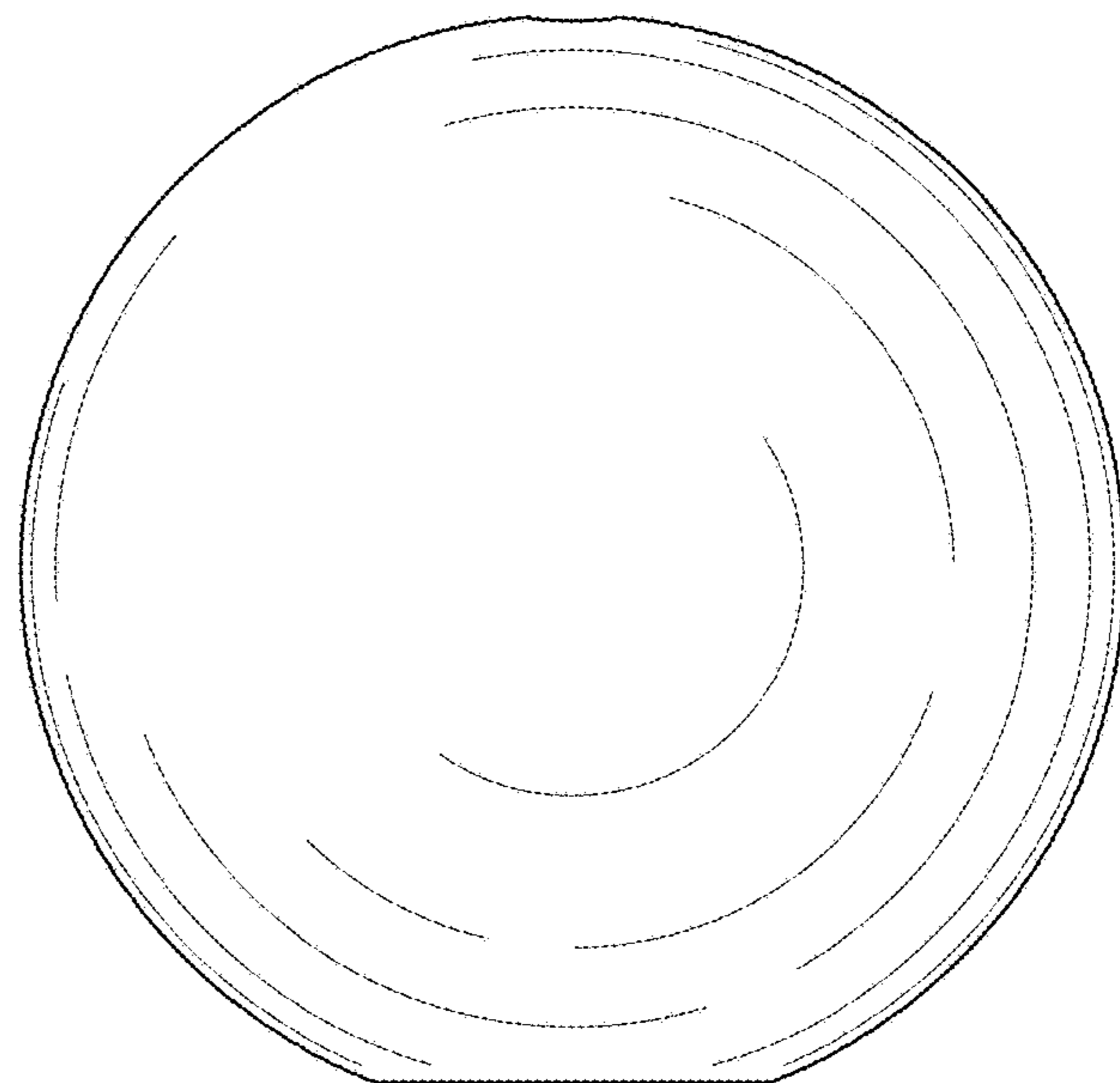
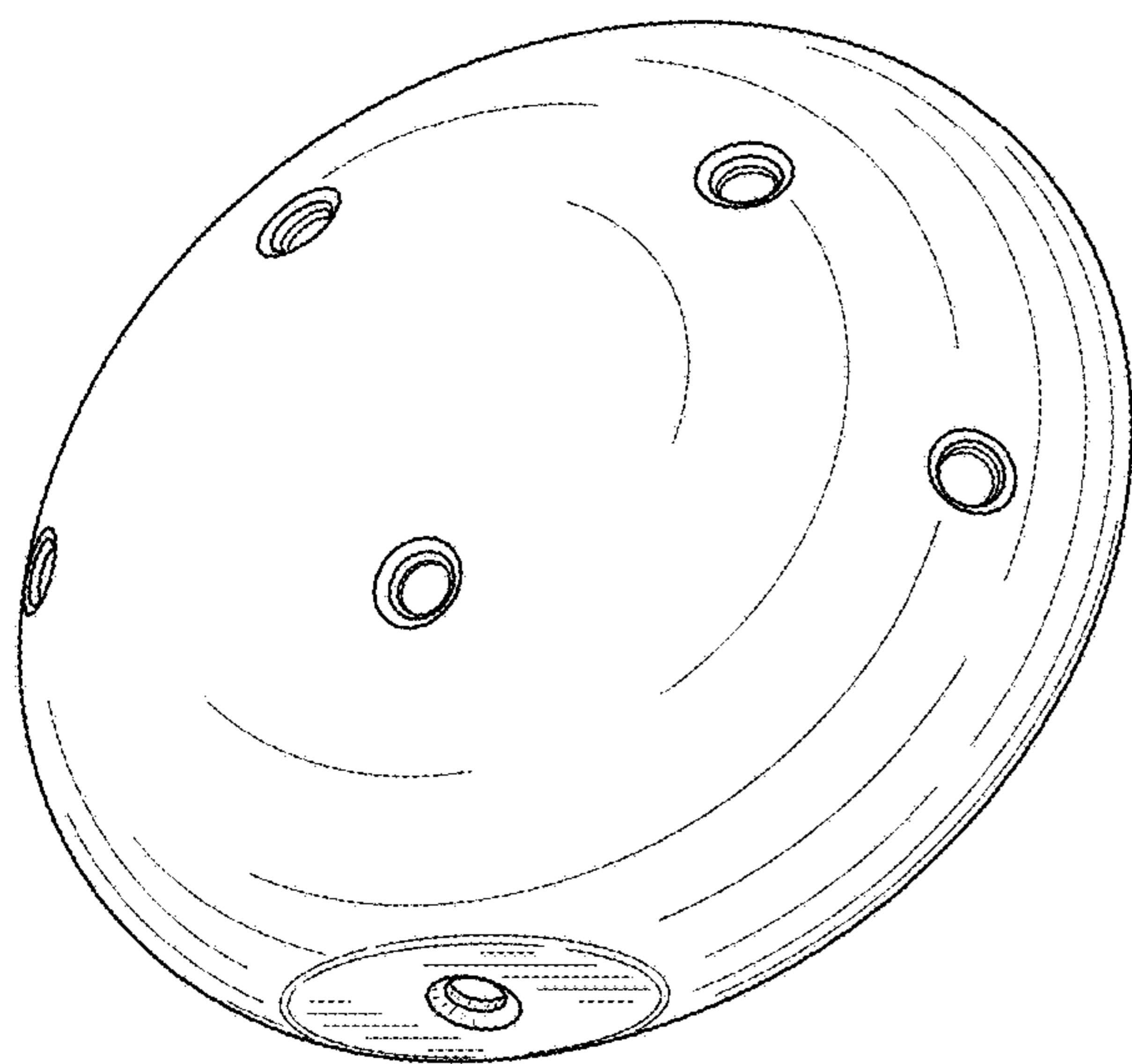
(57) **CLAIM**

The ornamental design for a toy caricature body, as shown
and described.

DESCRIPTION

FIG. 1 is a perspective view of a toy caricature body,
showing the new design;
FIG. 2 is a front view thereof;
FIG. 3 is a rear view thereof;
FIG. 4 is a right side view thereof, which is a mirror image
of a left side view that is not provided;
FIG. 5 is a top view thereof; and,
FIG. 6 is a bottom thereof.

1 Claim, 4 Drawing Sheets



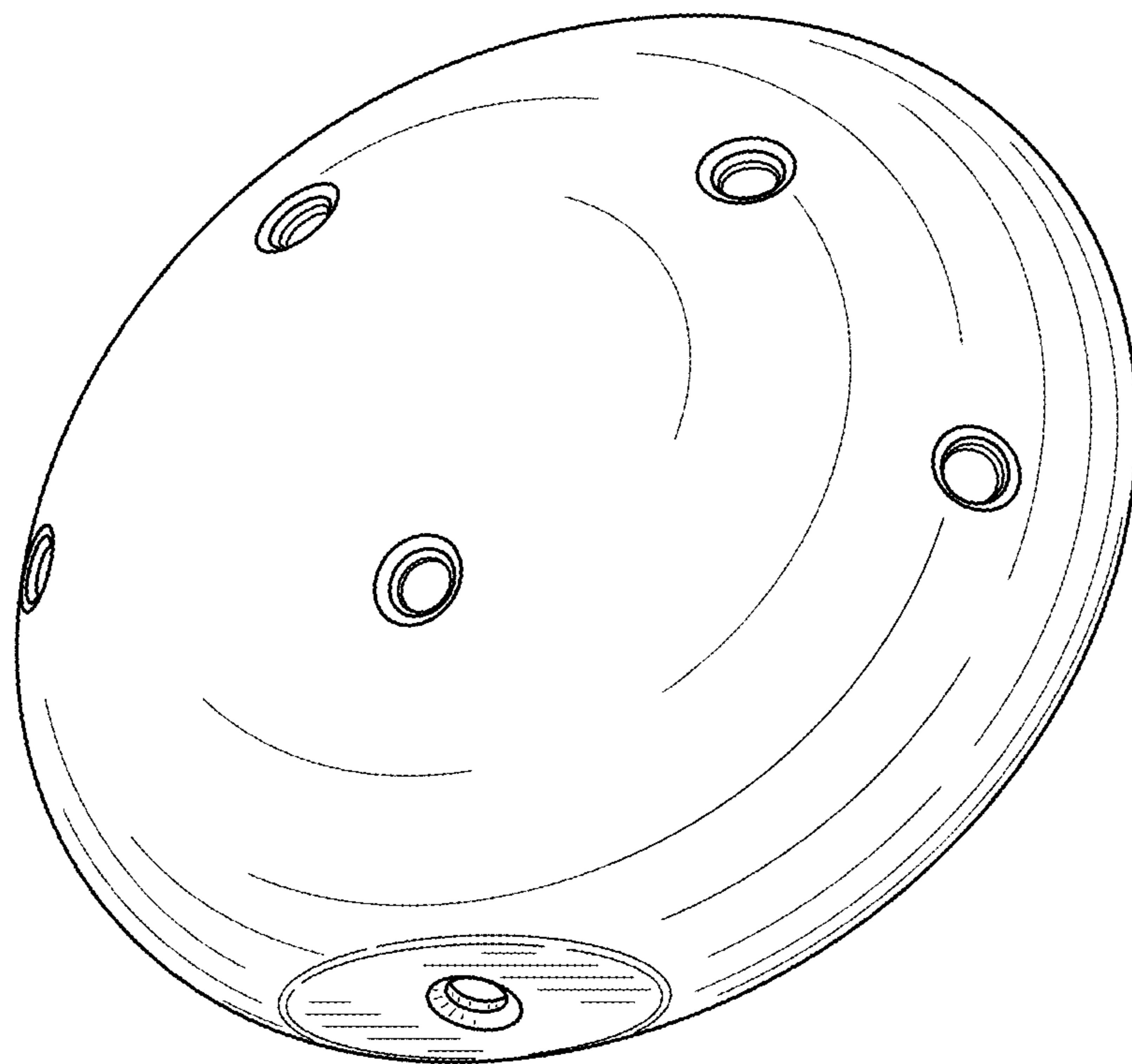


FIG. 1

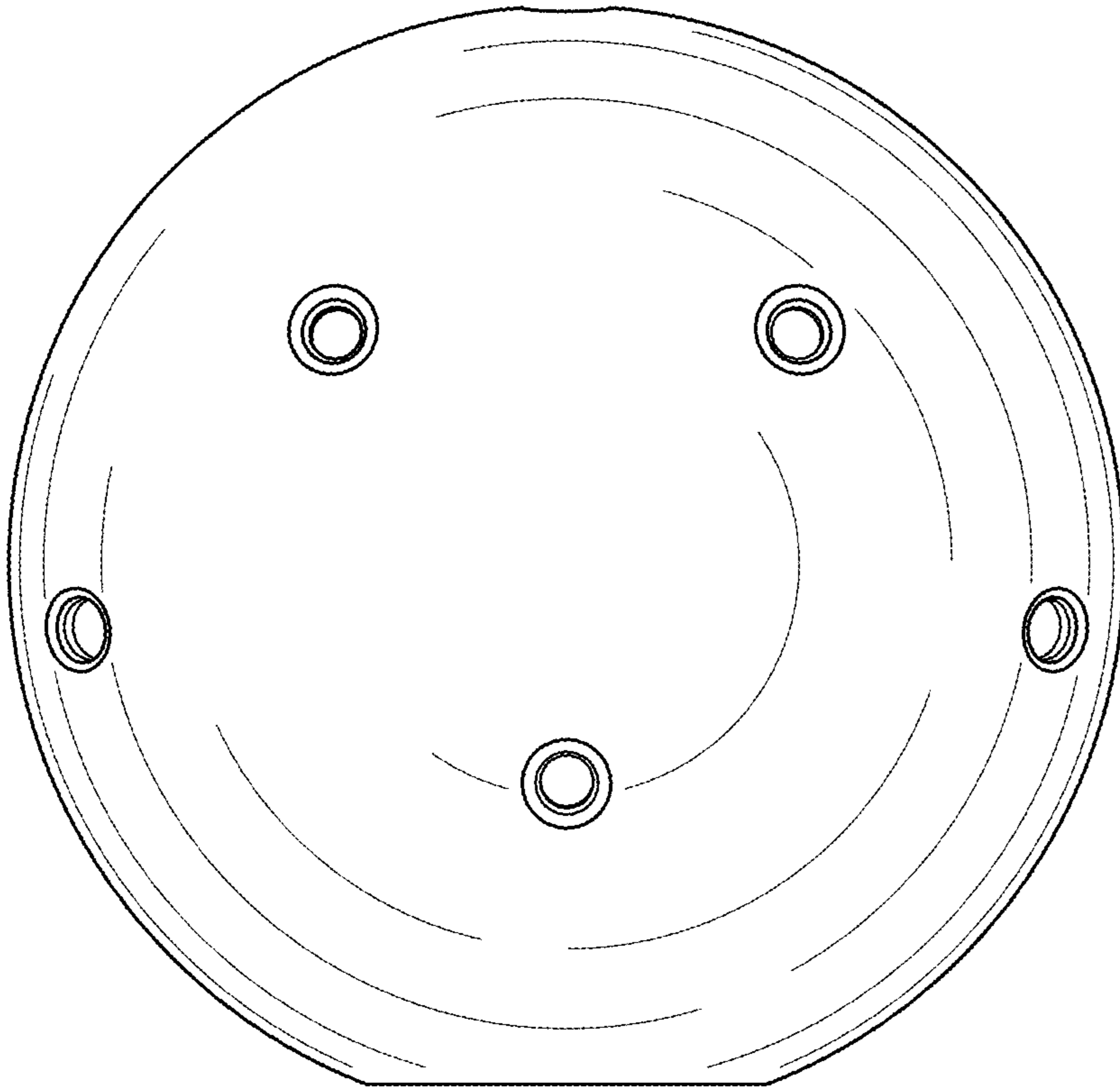


FIG. 2

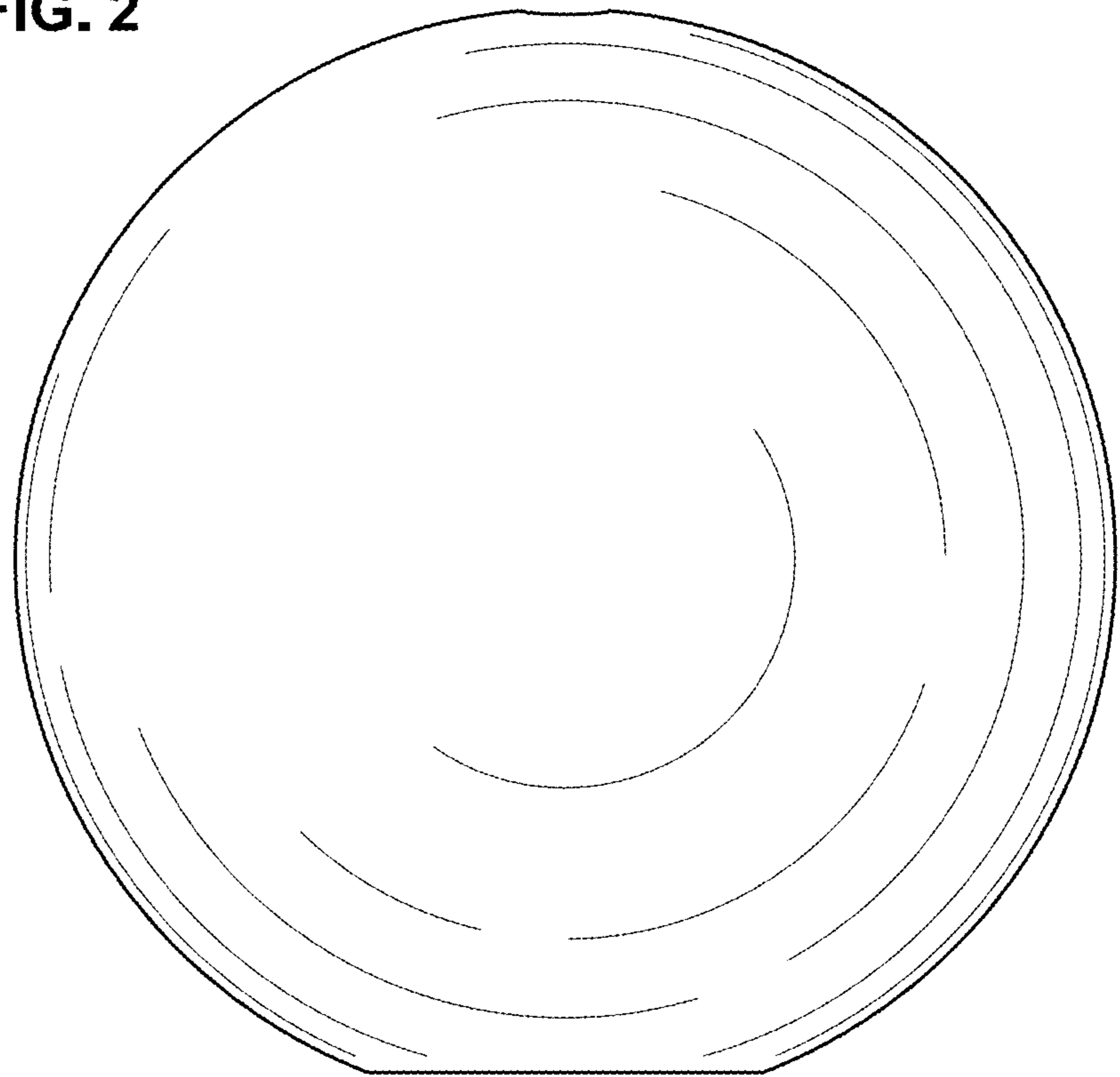


FIG. 3

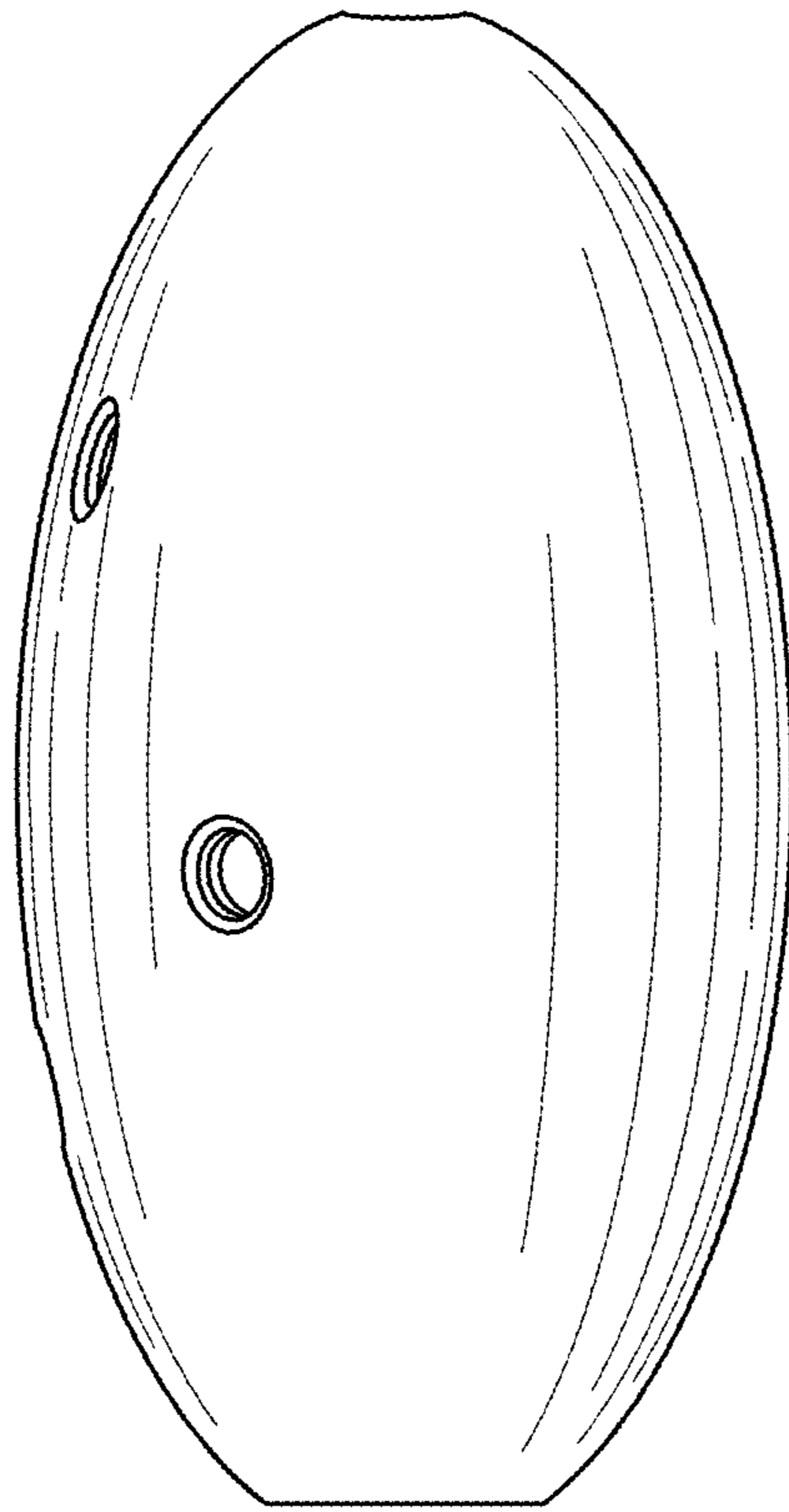


FIG. 4

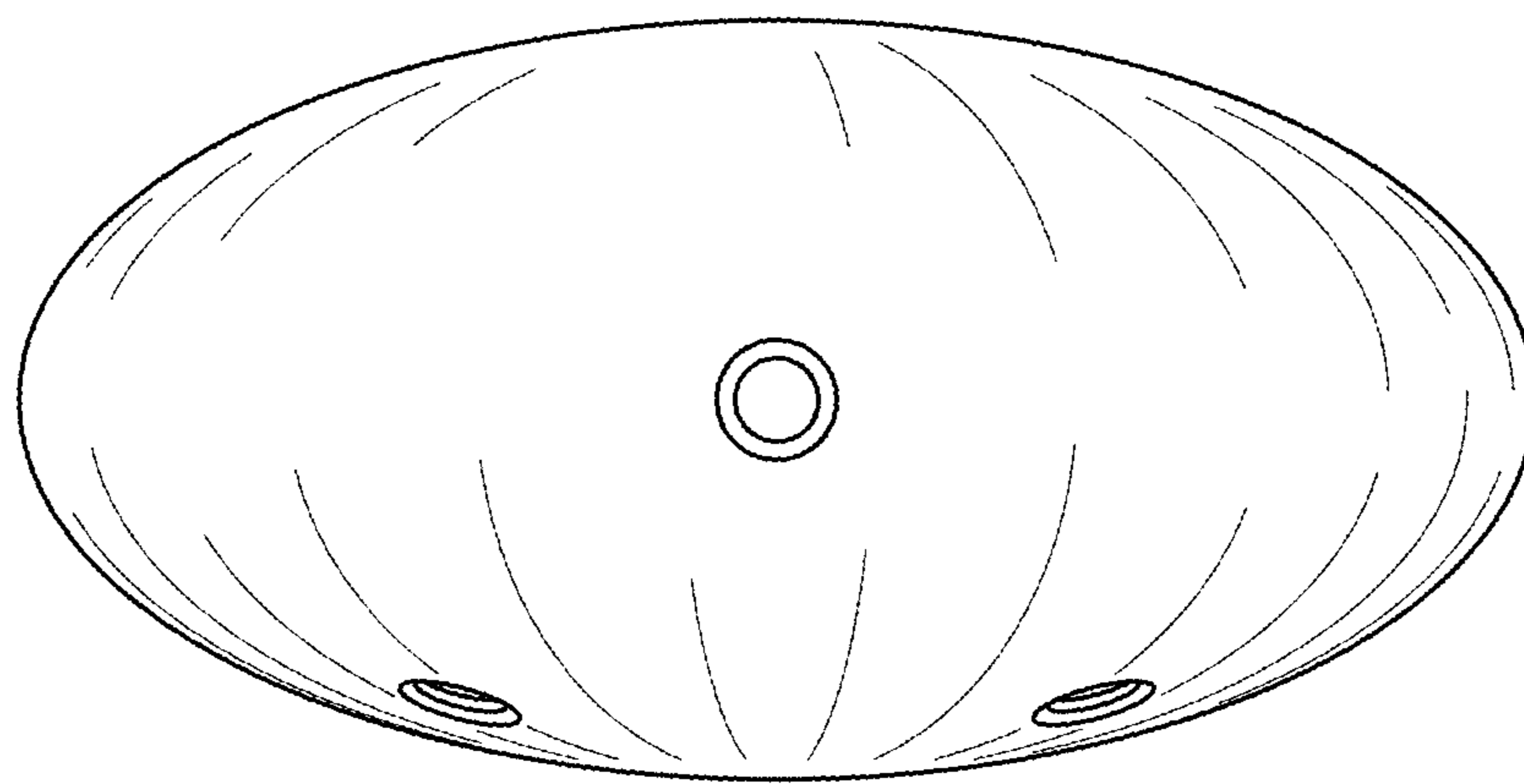


FIG. 5

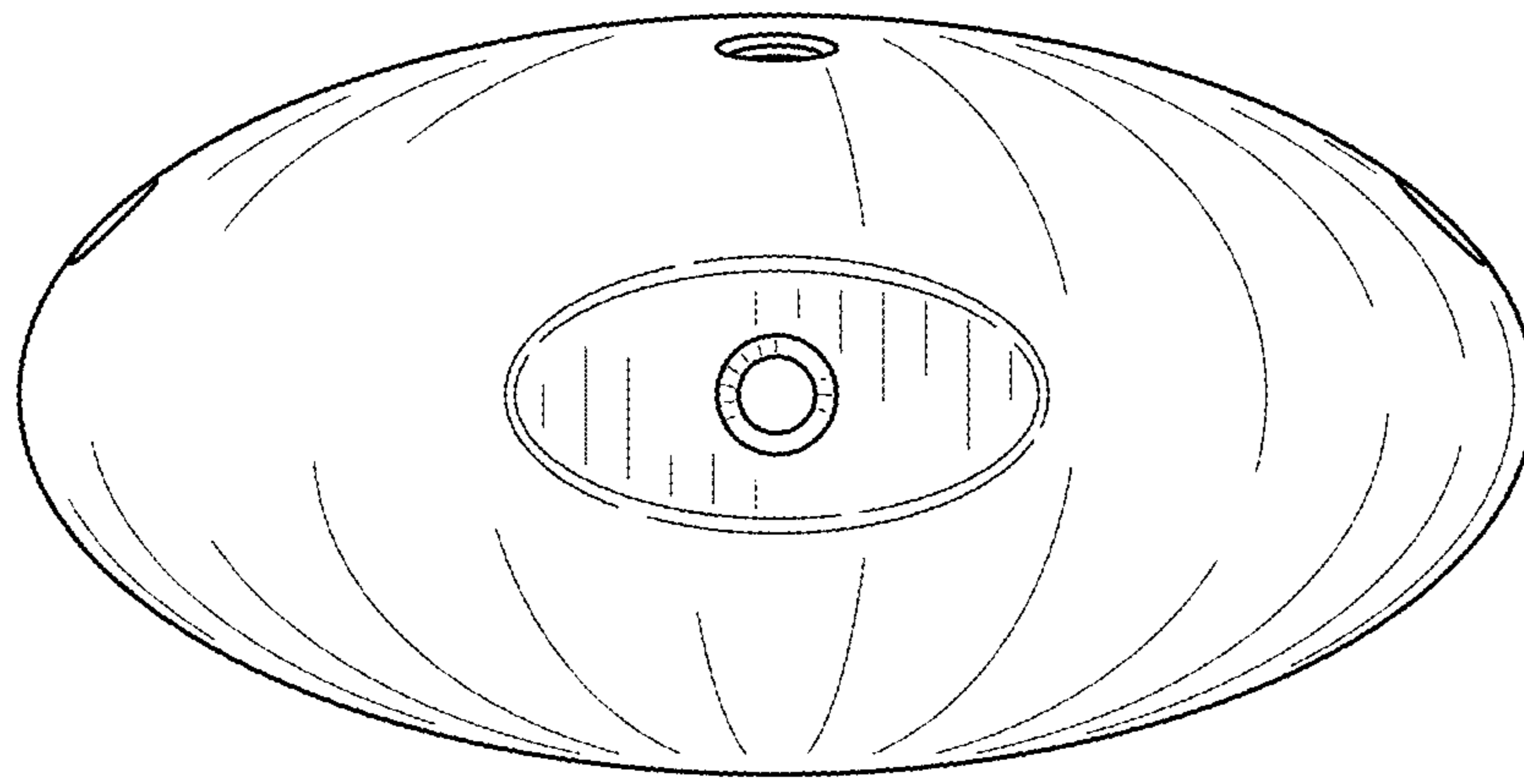


FIG. 6