



US00D880625S

(12) **United States Design Patent**
Romanoff et al.

(10) **Patent No.:** **US D880,625 S**

(45) **Date of Patent:** **** Apr. 7, 2020**

(54) **CONNECTOR FOR MAGNETIC BUILDING TOY**

(71) Applicant: **Genius Gems, LLC**, Millburn, NJ (US)

(72) Inventors: **Marc Romanoff**, Millburn, NJ (US);
Andrew Carter, Millburn, NJ (US);
Jenna Stuiso, Millburn, NJ (US)

(73) Assignee: **Genius Gems, LLC**, Millburn, NJ (US)

(**) Term: **15 Years**

(21) Appl. No.: **29/669,926**

(22) Filed: **Nov. 13, 2018**

(51) **LOC (12) Cl.** **21-01**

(52) **U.S. Cl.**
USPC **D21/501**

(58) **Field of Classification Search**
USPC D21/404, 478, 479, 484, 485–505;
D8/349, 354
CPC A63H 33/00; A63H 33/04; A63H 33/046;
A63H 33/06; A63H 33/08; A63H 33/10;
A63H 33/12; A63H 33/14; A63H 33/26;
A63F 2009/1212; A63F 9/12
See application file for complete search history.

(56) **References Cited**

U.S. PATENT DOCUMENTS

D234,707 S * 4/1975 Vennola et al. D21/386
D241,615 S * 9/1976 King D8/373
D285,116 S * 8/1986 Hoff D24/214
D293,595 S * 1/1988 Berggreen D21/493
D364,084 S * 11/1995 Yaich D8/356

D565,937 S * 4/2008 Tsai D8/363
D594,735 S * 6/2009 Hofer D8/349
D623,045 S * 9/2010 Moncade D8/354
D714,531 S * 10/2014 Guglielmo D2/946

* cited by examiner

Primary Examiner — Cynthia M. Chin

(74) *Attorney, Agent, or Firm* — Amster, Rothstein & Ebenstein LLP

(57) **CLAIM**

The ornamental design for a connector for magnetic building toy, as shown and described.

DESCRIPTION

FIG. 1 is a front perspective view of a first embodiment of a connector for a magnetic building toy of the present invention;

FIG. 2 is a front view thereof, the back side, right side, and left side each being a mirror image of the front side;

FIG. 3 is a top view thereof;

FIG. 4 is a bottom view thereof;

FIG. 5 is a front perspective view of a second embodiment of a connector for a magnetic building toy of the present invention;

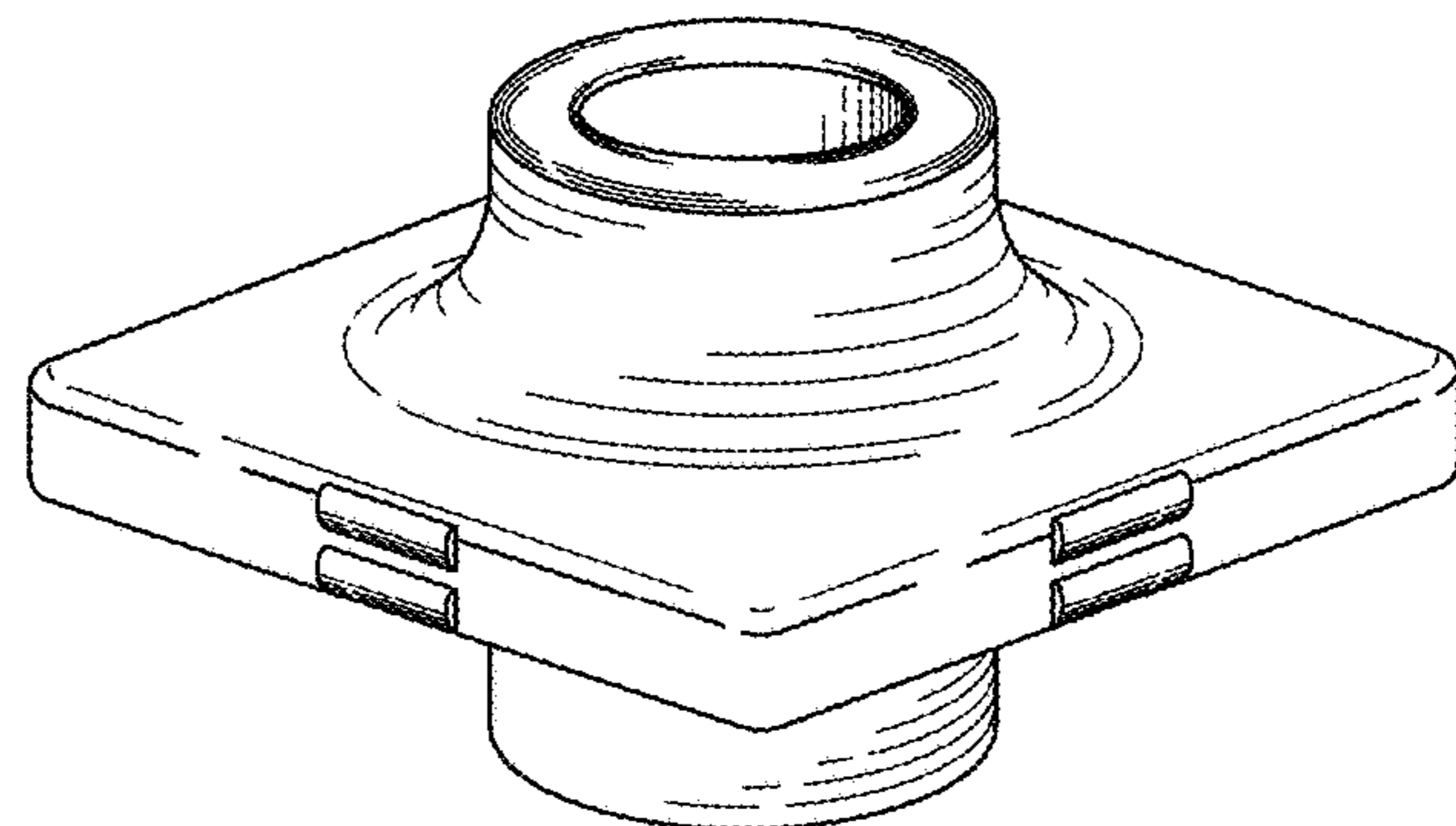
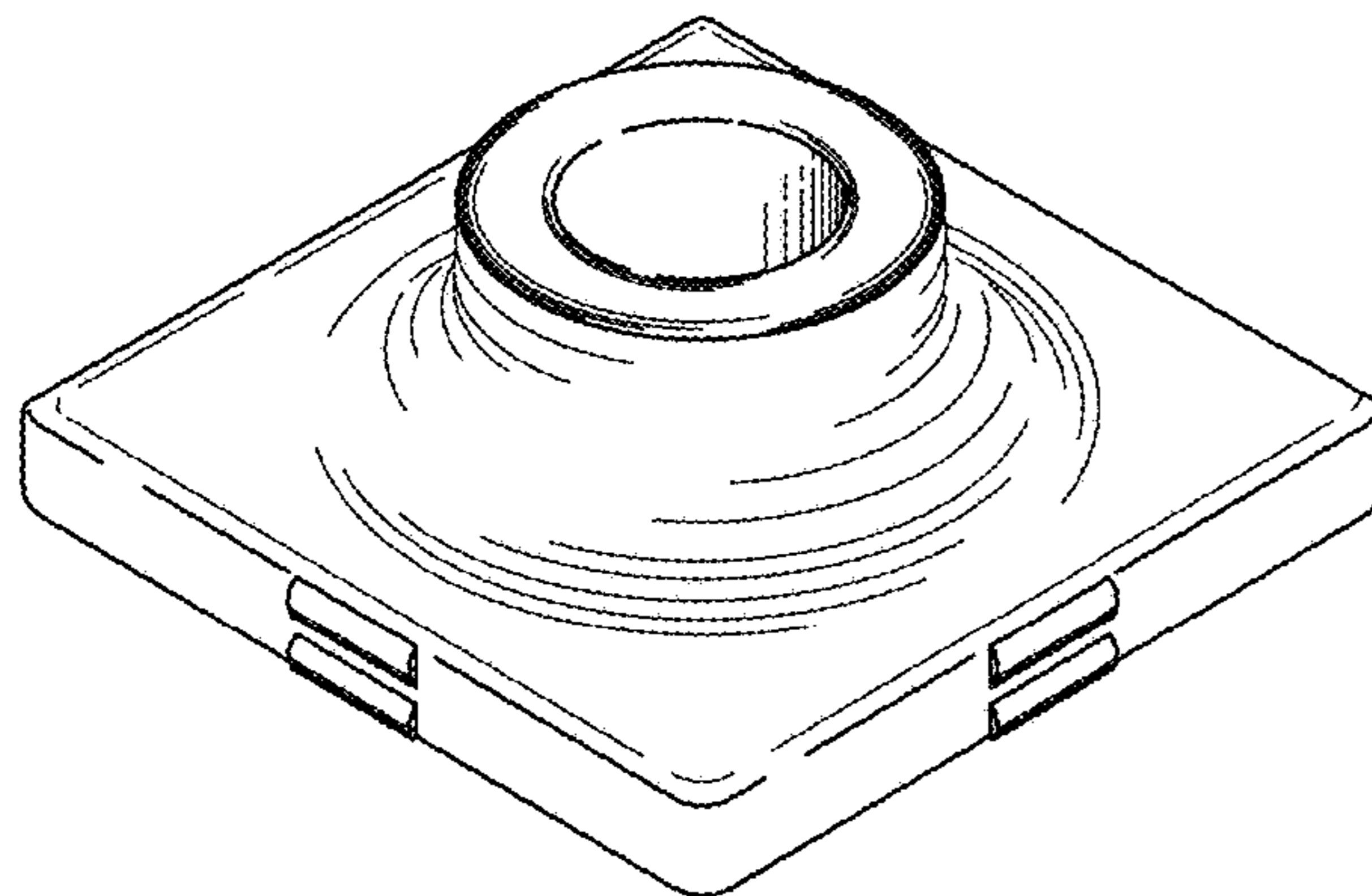
FIG. 6 is a front view thereof, the back side, right side, and left side each being a mirror image of the front side;

FIG. 7 is a top view thereof; and,

FIG. 8 is a bottom view thereof.

The broken lines in FIGS. 3, 7, and 8 represent the bounds of the claim and form no part of the claimed design.

1 Claim, 4 Drawing Sheets



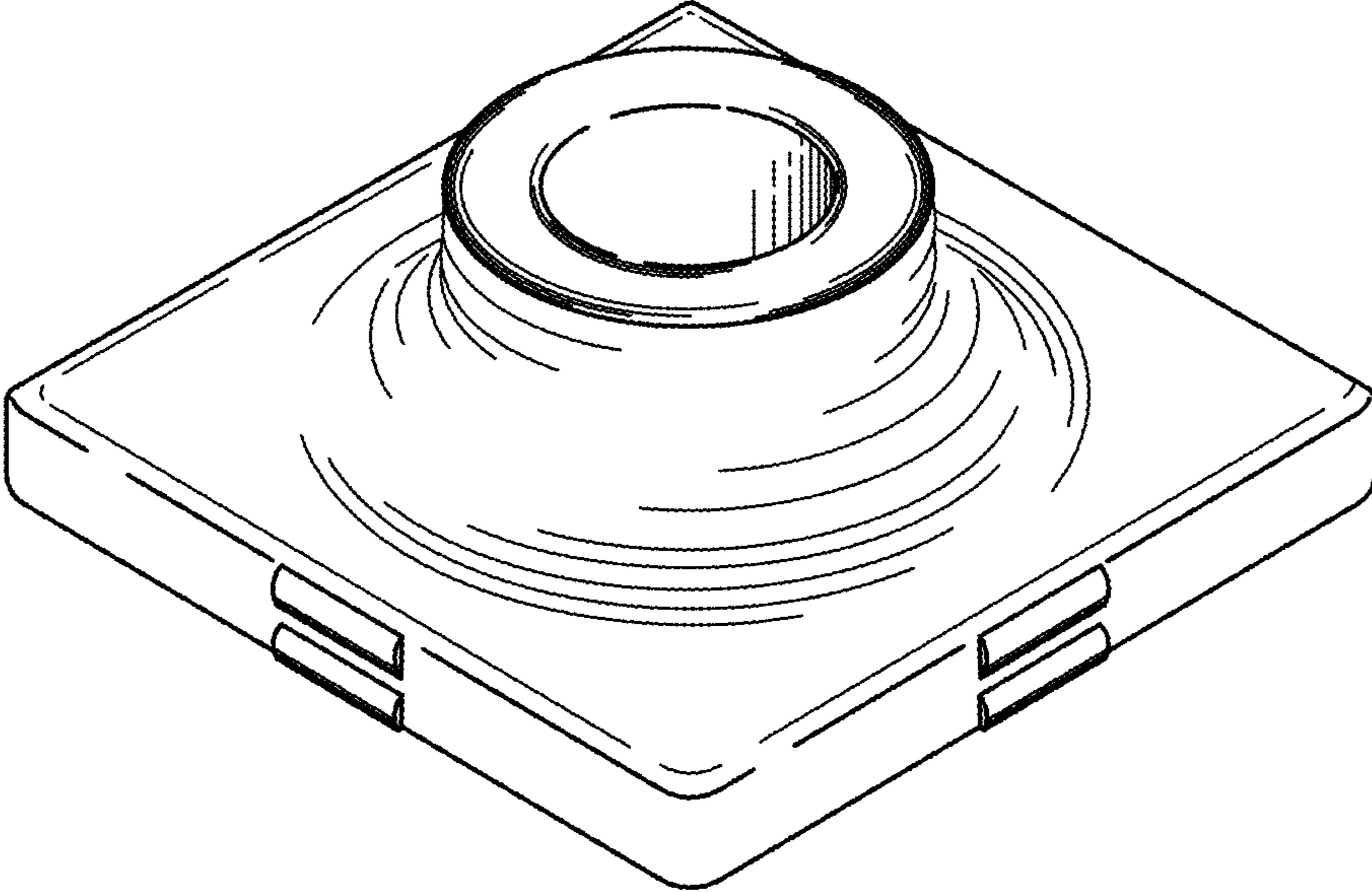


FIG. 1

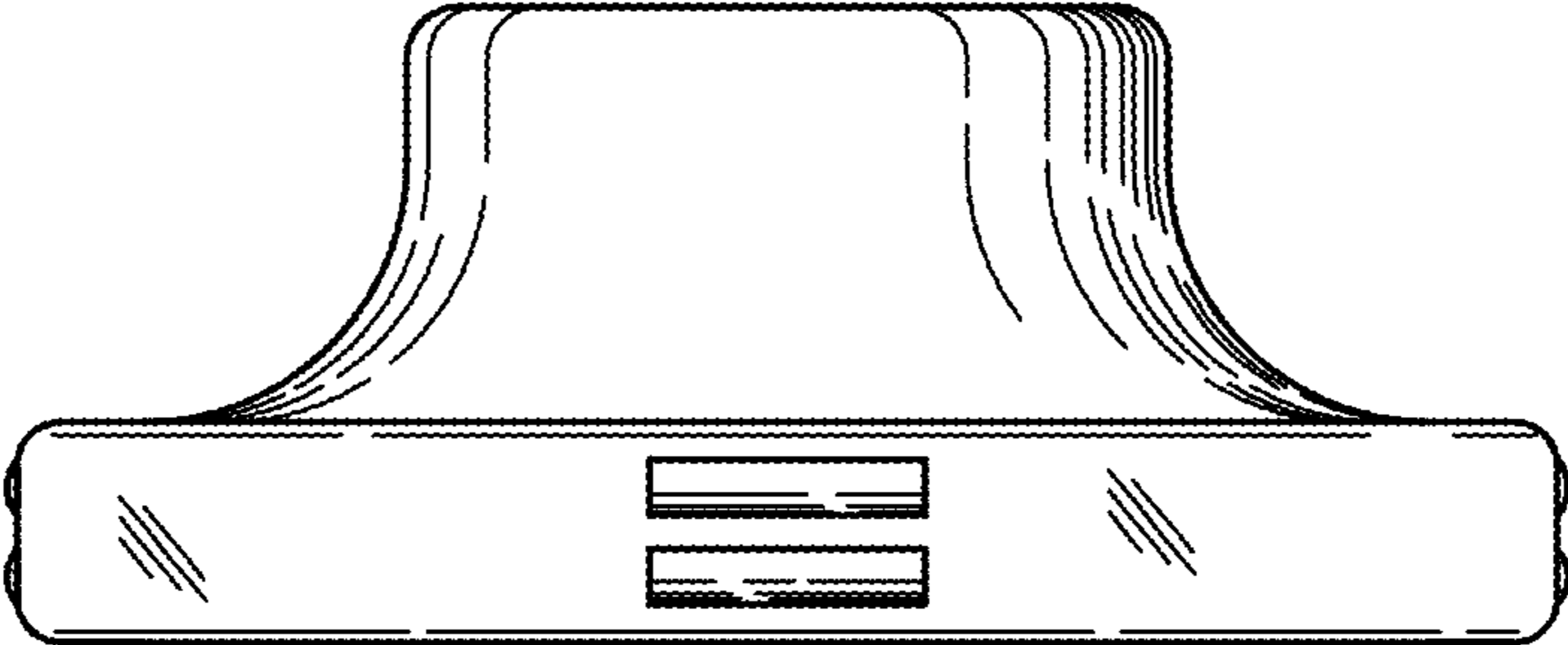


FIG. 2

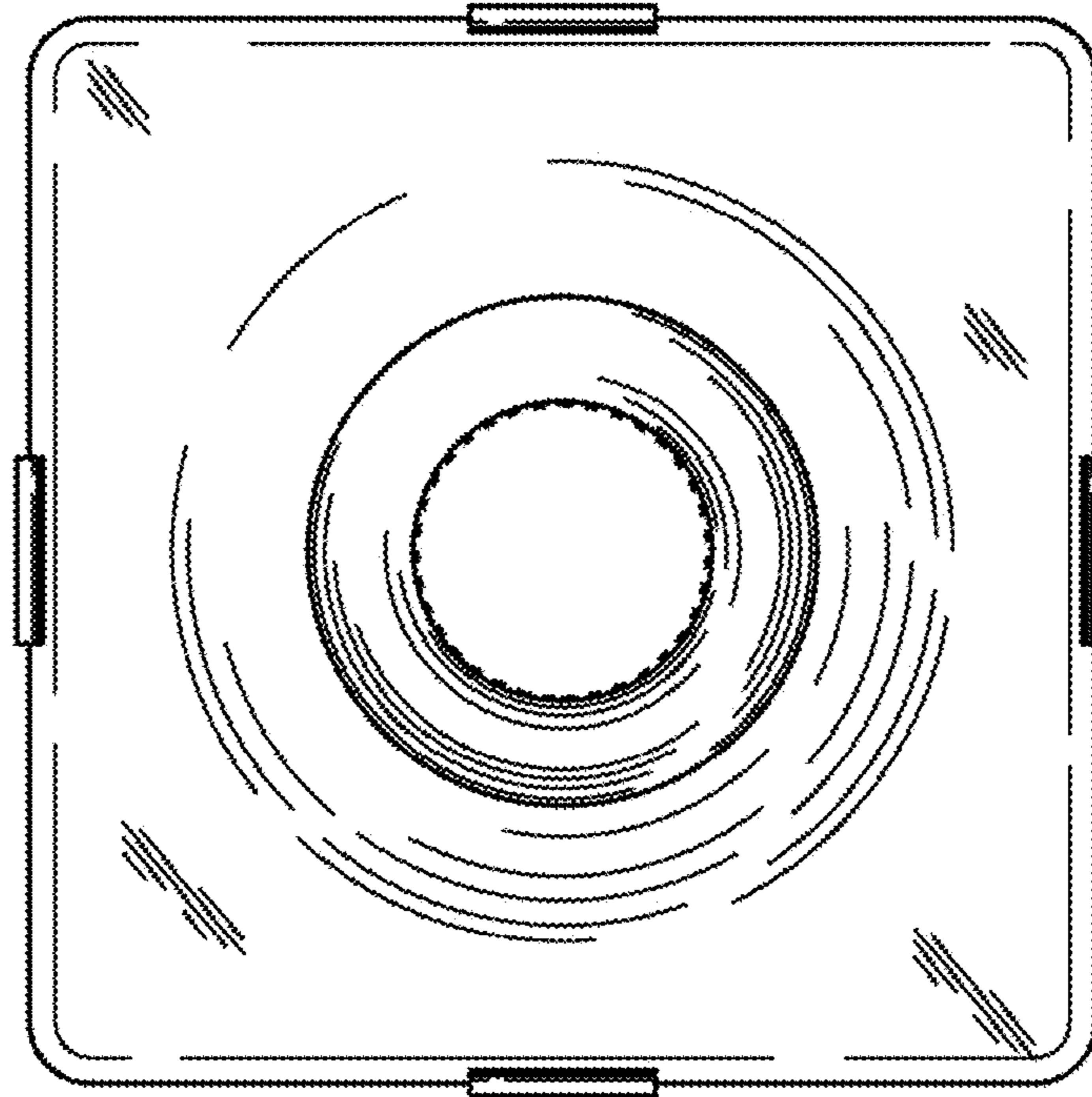


FIG. 3

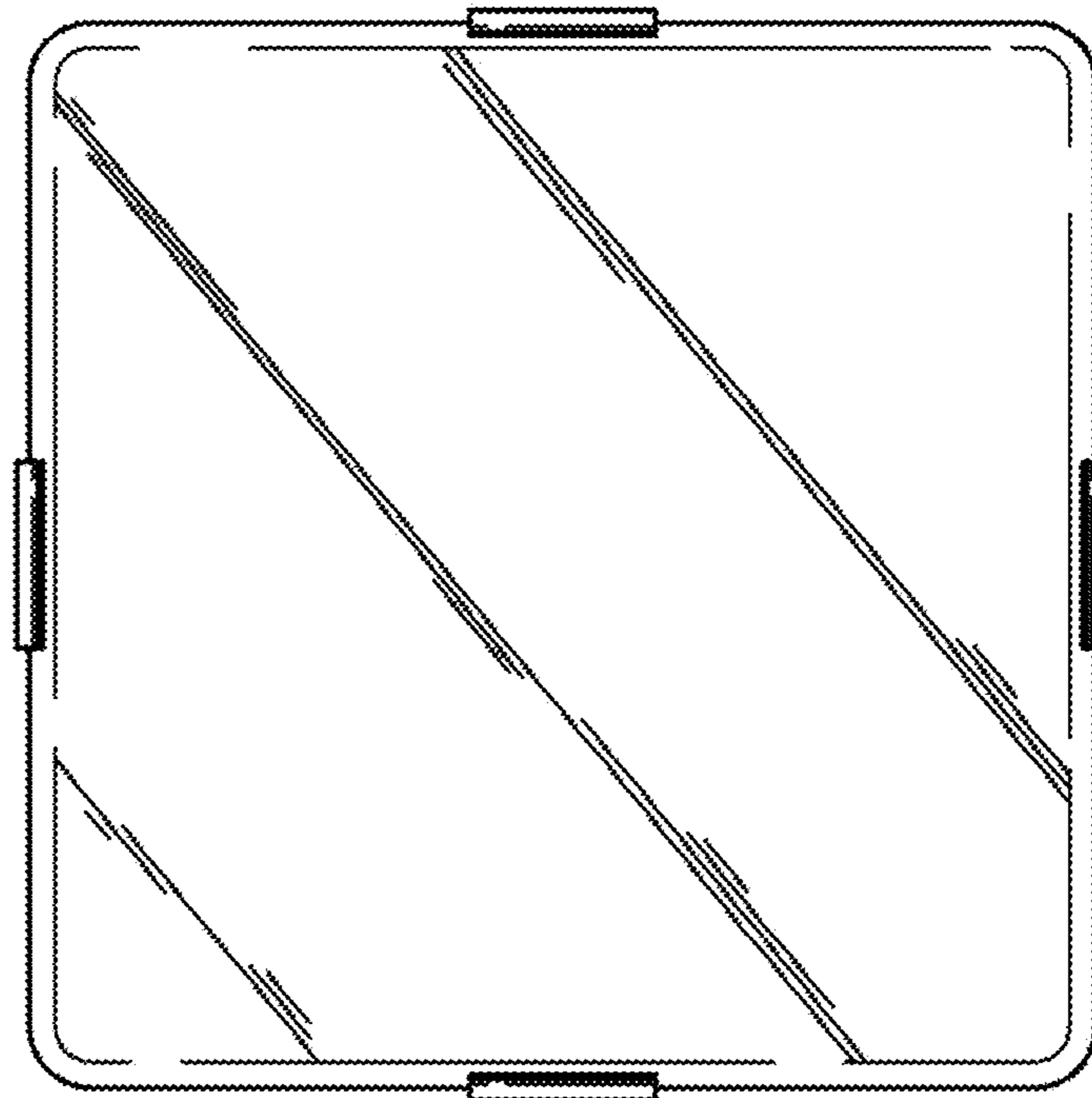


FIG. 4

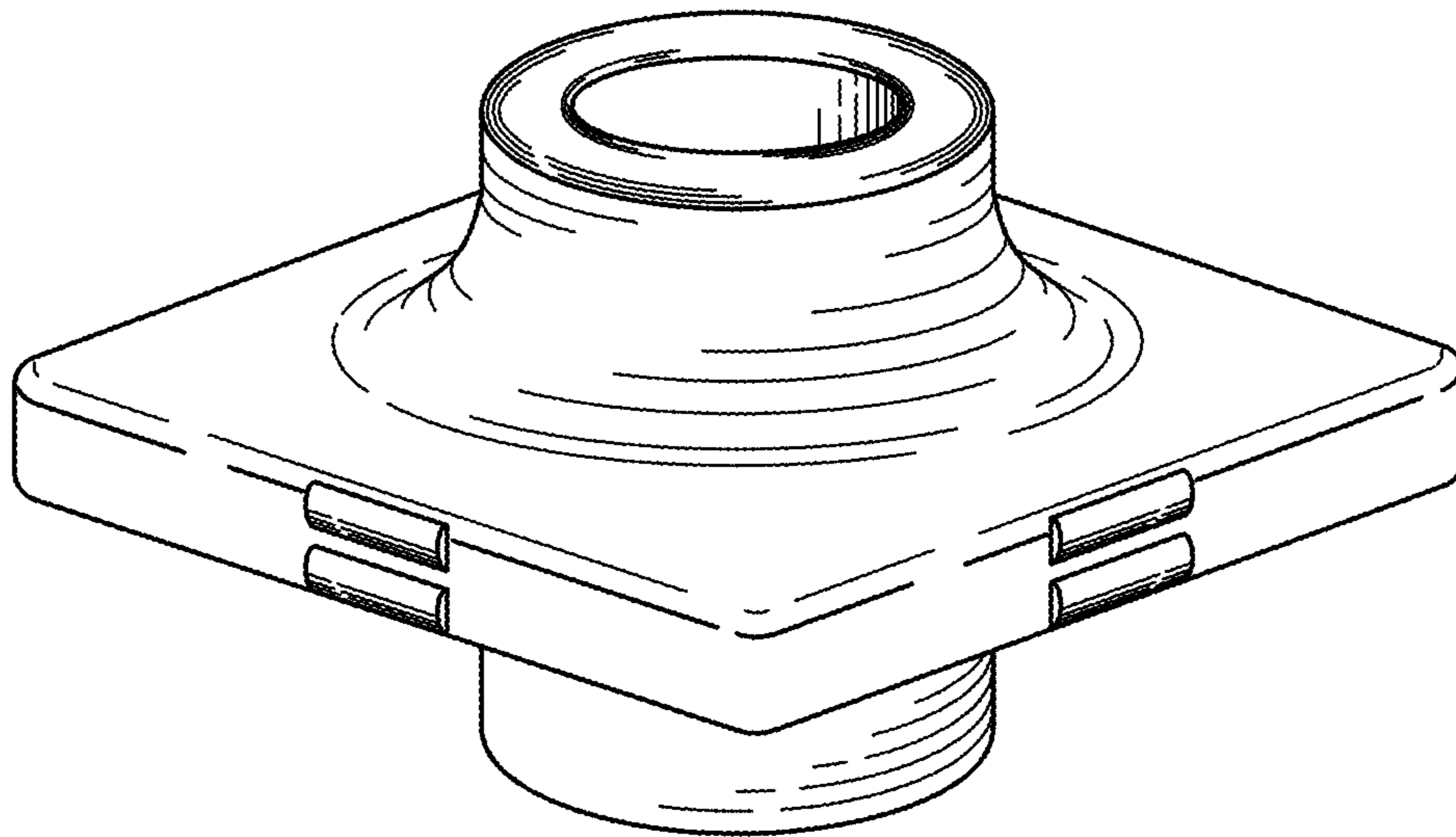


FIG. 5

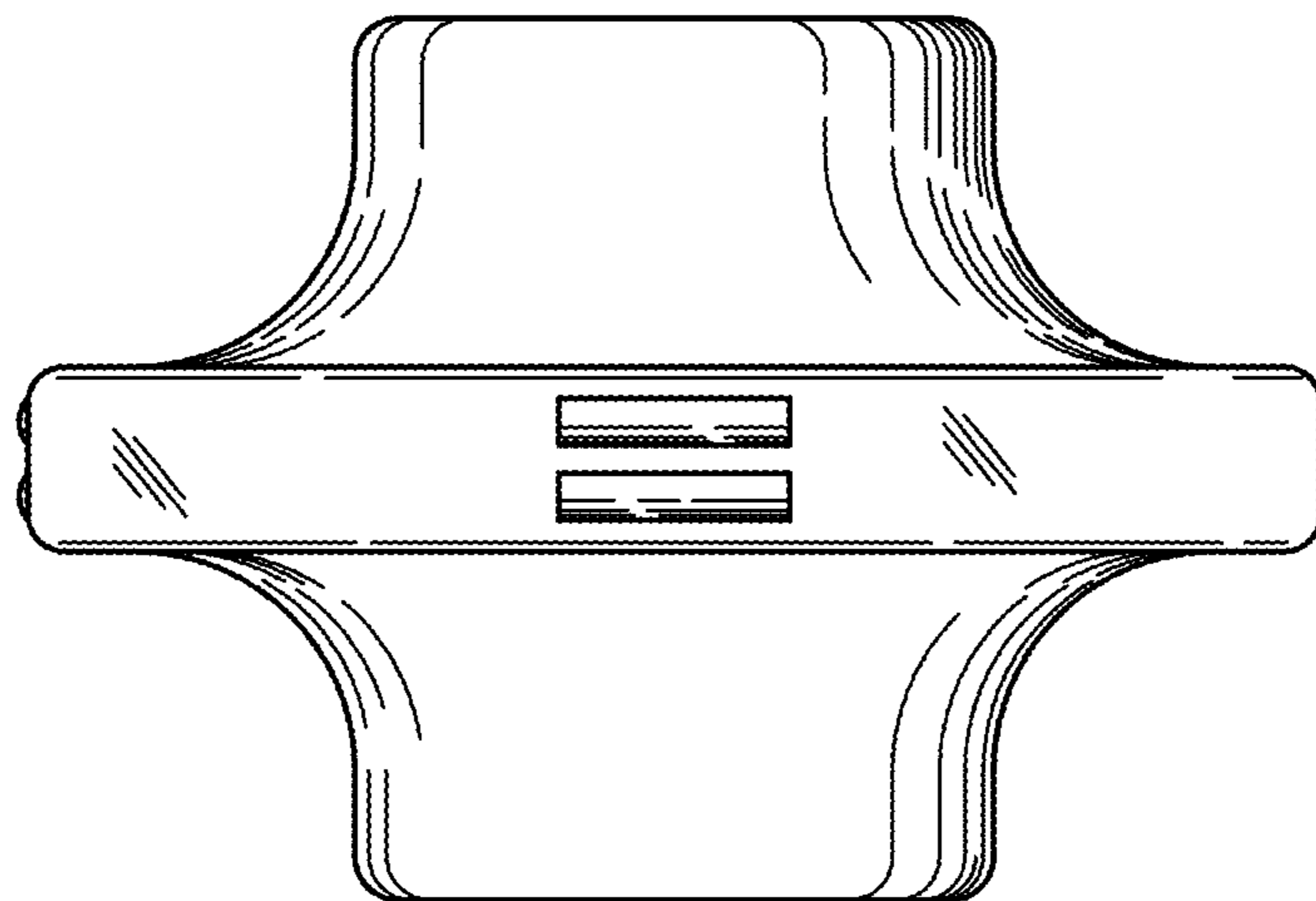


FIG. 6

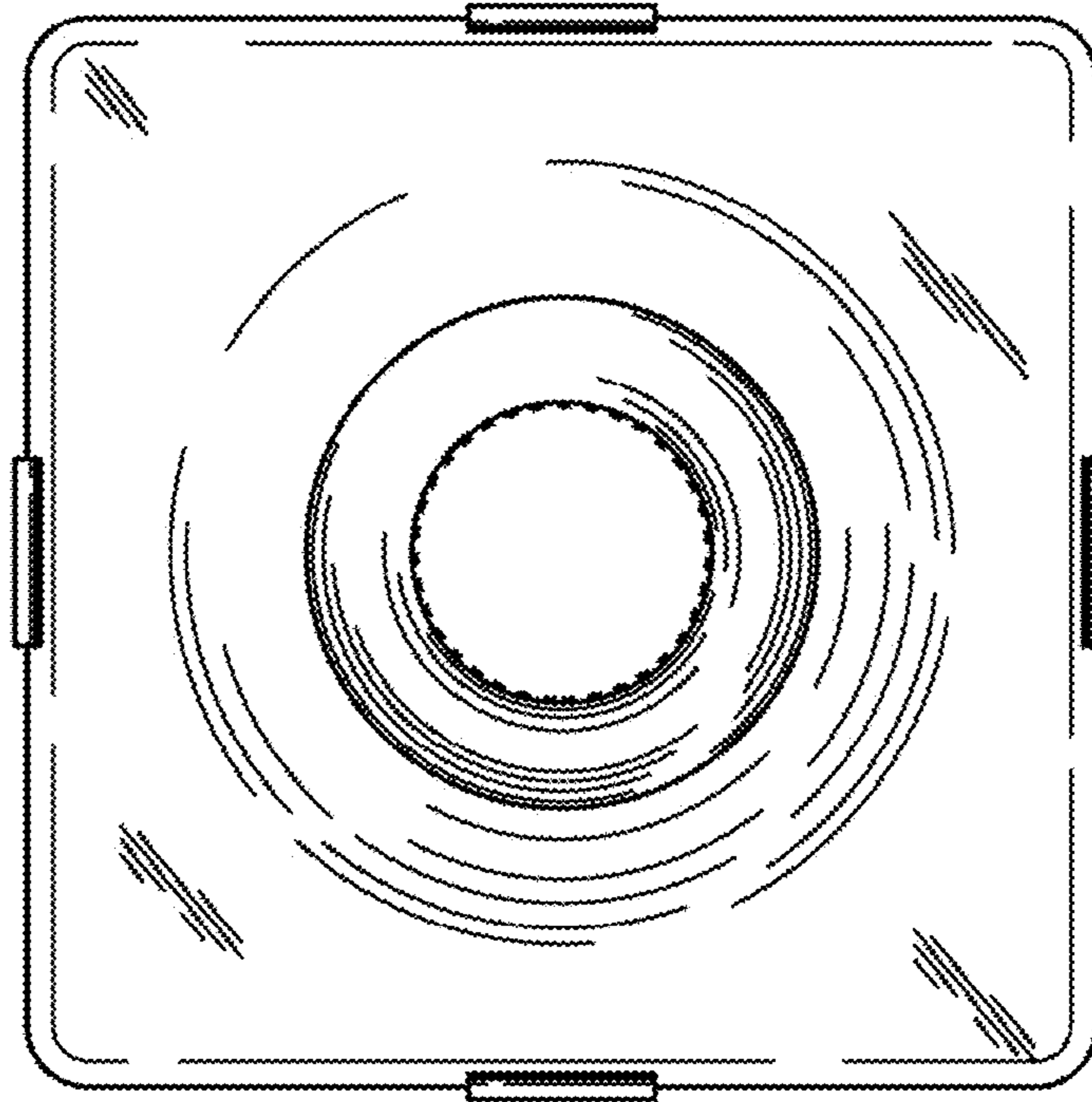


FIG. 7

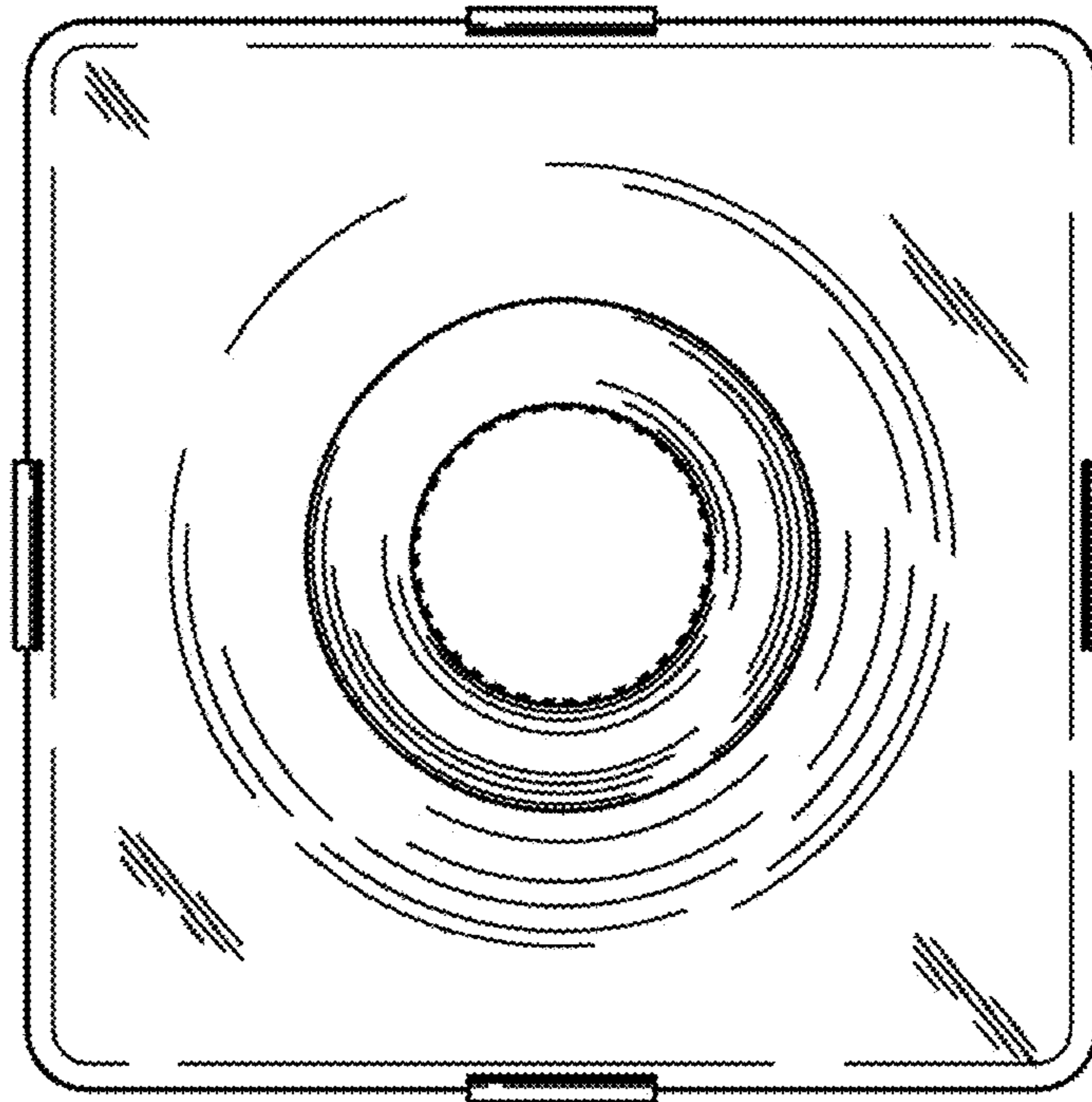


FIG. 8