



US00D880624S

(12) **United States Design Patent**
Hashiba et al.

(10) **Patent No.:** **US D880,624 S**

(45) **Date of Patent:** **** Apr. 7, 2020**

(54) **SPINNING TOP TOY**

DESCRIPTION

(71) Applicant: **TOMY COMPANY, LTD.**, Tokyo (JP)

(72) Inventors: **Kenta Hashiba**, Tokyo (JP); **Yasuhiro Yamashita**, Tokyo (JP)

(73) Assignee: **TOMY COMPANY, LTD.**, Tokyo (JP)

(**) Term: **15 Years**

(21) Appl. No.: **29/620,815**

(22) Filed: **Jun. 20, 2017**

(30) **Foreign Application Priority Data**

Feb. 16, 2017 (JP) 2017-003006

(51) **LOC (12) Cl.** **21-01**

(52) **U.S. Cl.**
USPC **D21/460**

(58) **Field of Classification Search**
USPC D21/455-464; 446/236-266

(Continued)

(56) **References Cited**

U.S. PATENT DOCUMENTS

D629,848 S * 12/2010 Ujita D21/460
D666,252 S * 8/2012 Ujita D21/460

(Continued)

FOREIGN PATENT DOCUMENTS

CN 301446026 * 1/2011
CN 302092851 * 9/2012

(Continued)

Primary Examiner — Catherine A Tuttle

(74) *Attorney, Agent, or Firm* — Staas & Halsey LLP

(57) **CLAIM**

The ornamental design for a spinning top toy, as shown.

FIG. 1 is a front view of the spinning top toy showing our design;

FIG. 2 is a left side view thereof;

FIG. 3 is a rear view thereof;

FIG. 4 is right side view thereof;

FIG. 5 is a top view thereof;

FIG. 6 is a bottom view thereof;

FIG. 7 is a perspective view thereof;

FIG. 8 is a front elevational view of the transparent portion of the design shown in isolation for clarity of disclosure;

FIG. 9 is a top plan view of the top surface of the inner transparent portion shown in isolation for clarity of disclosure;

FIG. 10 is a front view thereof corresponding to FIG. 1 but showing contour shading to the exterior parts and with the interior parts omitted for clarity of disclosure;

FIG. 11 is a left side view thereof corresponding to FIG. 2 but showing contour shading to the exterior parts and with the interior parts omitted for clarity of disclosure;

FIG. 12 is rear view thereof corresponding to FIG. 3 but showing contour shading to the exterior parts and with the interior parts omitted for clarity of disclosure;

FIG. 13 is a right side view thereof corresponding to FIG. 4 but showing contour shading to the exterior parts and with the interior parts omitted for clarity of disclosure;

FIG. 14 is a top view thereof corresponding to FIG. 5 but showing contour shading to the exterior parts and with the interior parts omitted for clarity of disclosure;

FIG. 15 is a bottom view thereof corresponding to FIG. 6 but showing contour shading to the exterior parts and with the interior parts omitted for clarity of disclosure;

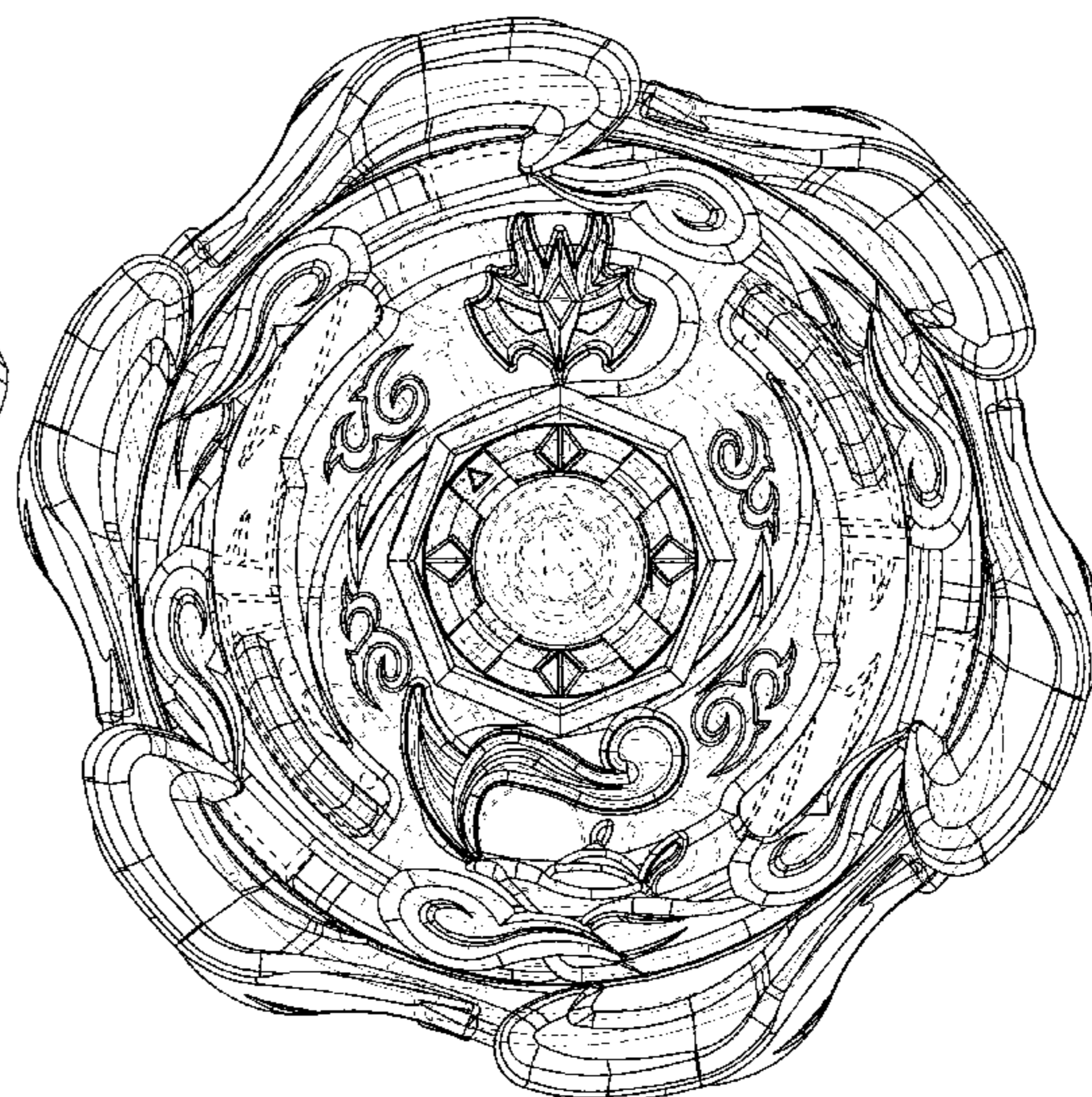
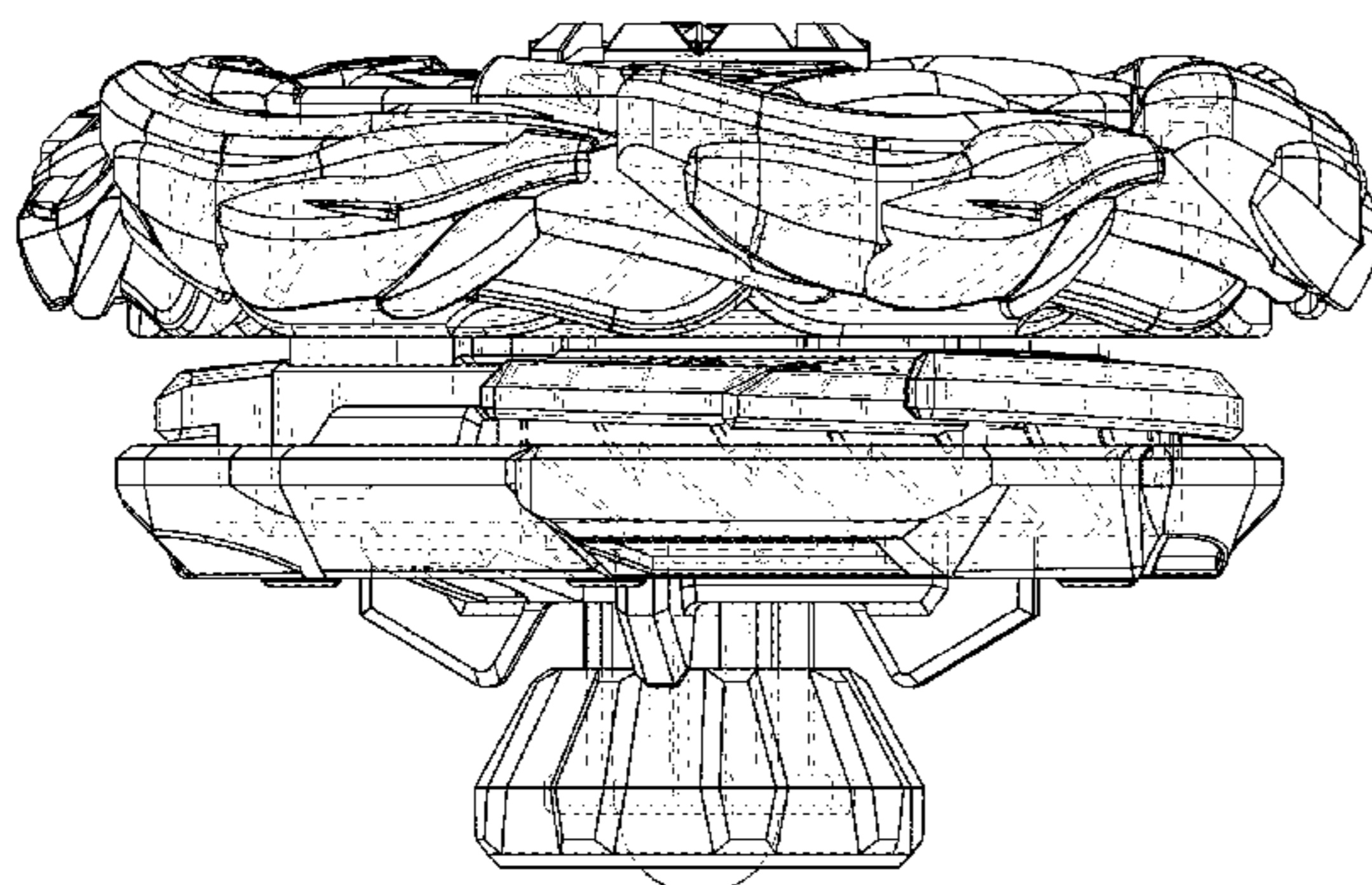
FIG. 16 is a perspective view corresponding to FIG. 7, but showing contour shading to the exterior parts and with the interior parts omitted for clarity of disclosure;

FIG. 17 is front elevational view corresponding to FIG. 8, but showing contour shading to the exterior parts and with the interior parts omitted for clarity of disclosure; and,

FIG. 18 is a top plan view corresponding to FIG. 9, but showing contour shading.

The portions of the spinning top toy shown in broken lines form no part of the claimed design.

1 Claim, 18 Drawing Sheets



(58) **Field of Classification Search**

CPC A63H 1/00-32
See application file for complete search history.

(56) **References Cited**

U.S. PATENT DOCUMENTS

D666,253 S * 8/2012 Ujita D21/460
D667,894 S * 9/2012 Horikoshi D21/460
D820,919 S * 6/2018 Horikoshi D21/460
D825,007 S * 8/2018 Muraki D21/460
D825,670 S * 8/2018 Muraki D21/460
D825,671 S * 8/2018 Horikoshi D21/460
D825,673 S * 8/2018 Matsukawa D21/460
D827,043 S * 8/2018 Muraki D21/460
D827,044 S * 8/2018 Horikoshi D21/460
D827,046 S * 8/2018 Horikoshi D21/460
D844,069 S * 3/2019 Horikawa D21/460
D849,846 S * 5/2019 Narita D21/460
D854,095 S * 7/2019 Narita D21/460
D854,096 S * 7/2019 Muraki D21/460

FOREIGN PATENT DOCUMENTS

EM 003253442-0007 * 7/2016
EM 003318252-0005 * 8/2016
EM 003318252-0006 * 8/2016
EM 003770668-0003 * 5/2017
JP D1549756 * 5/2016
JP 6111365 B1 * 4/2017 A63H 1/02
WO D096881-002 * 12/2017

* cited by examiner

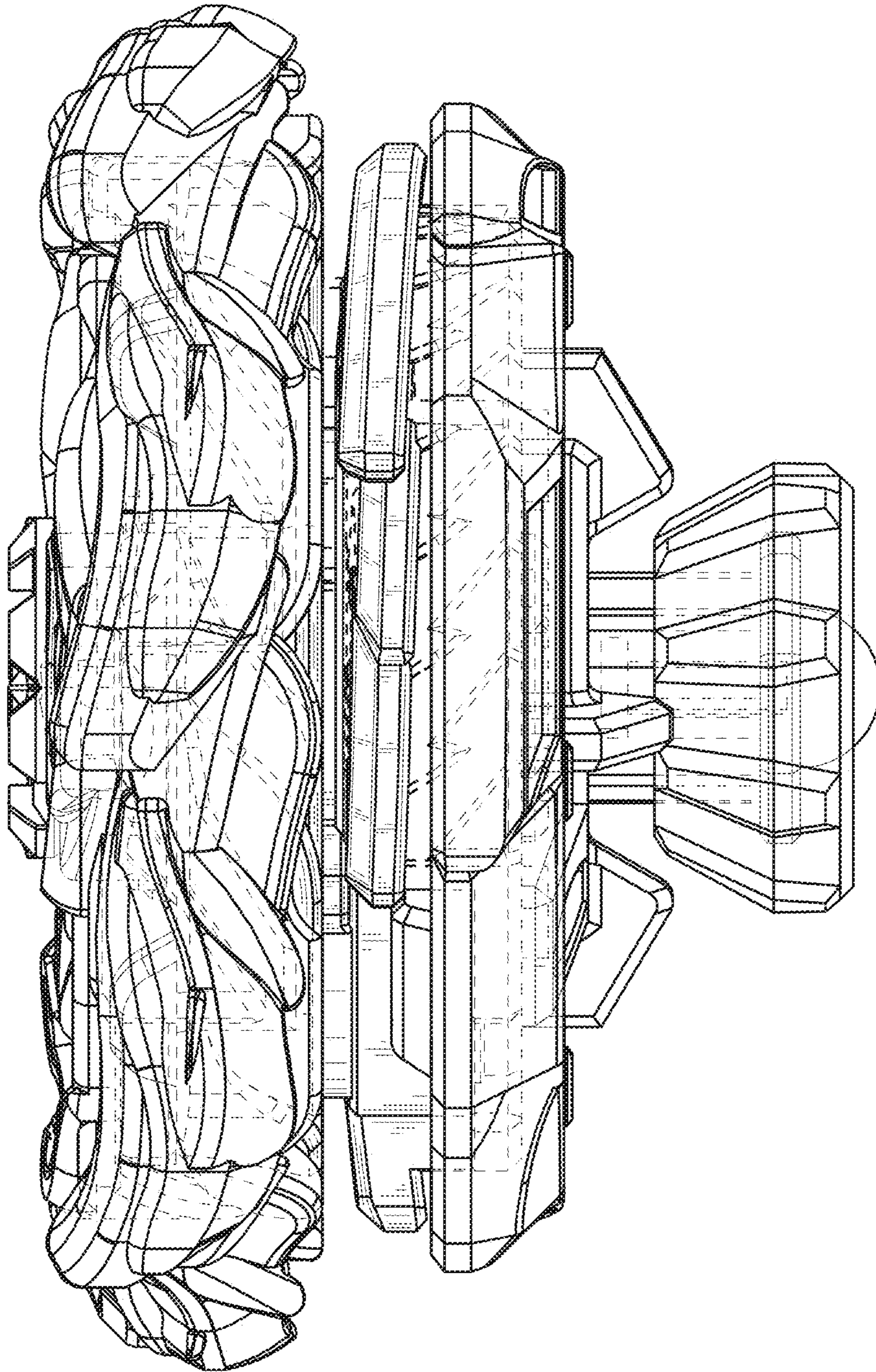


FIG. 1

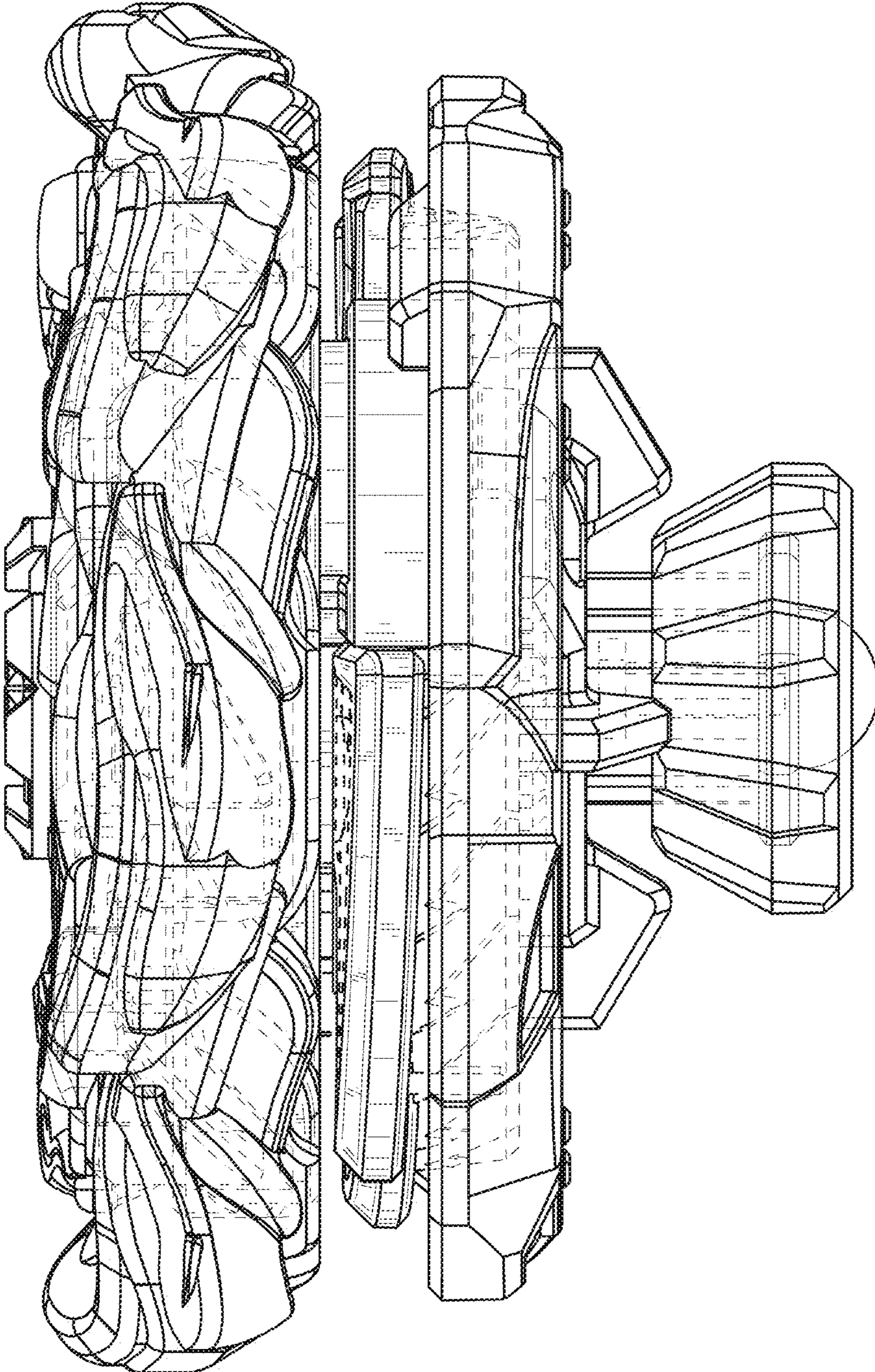


FIG. 2

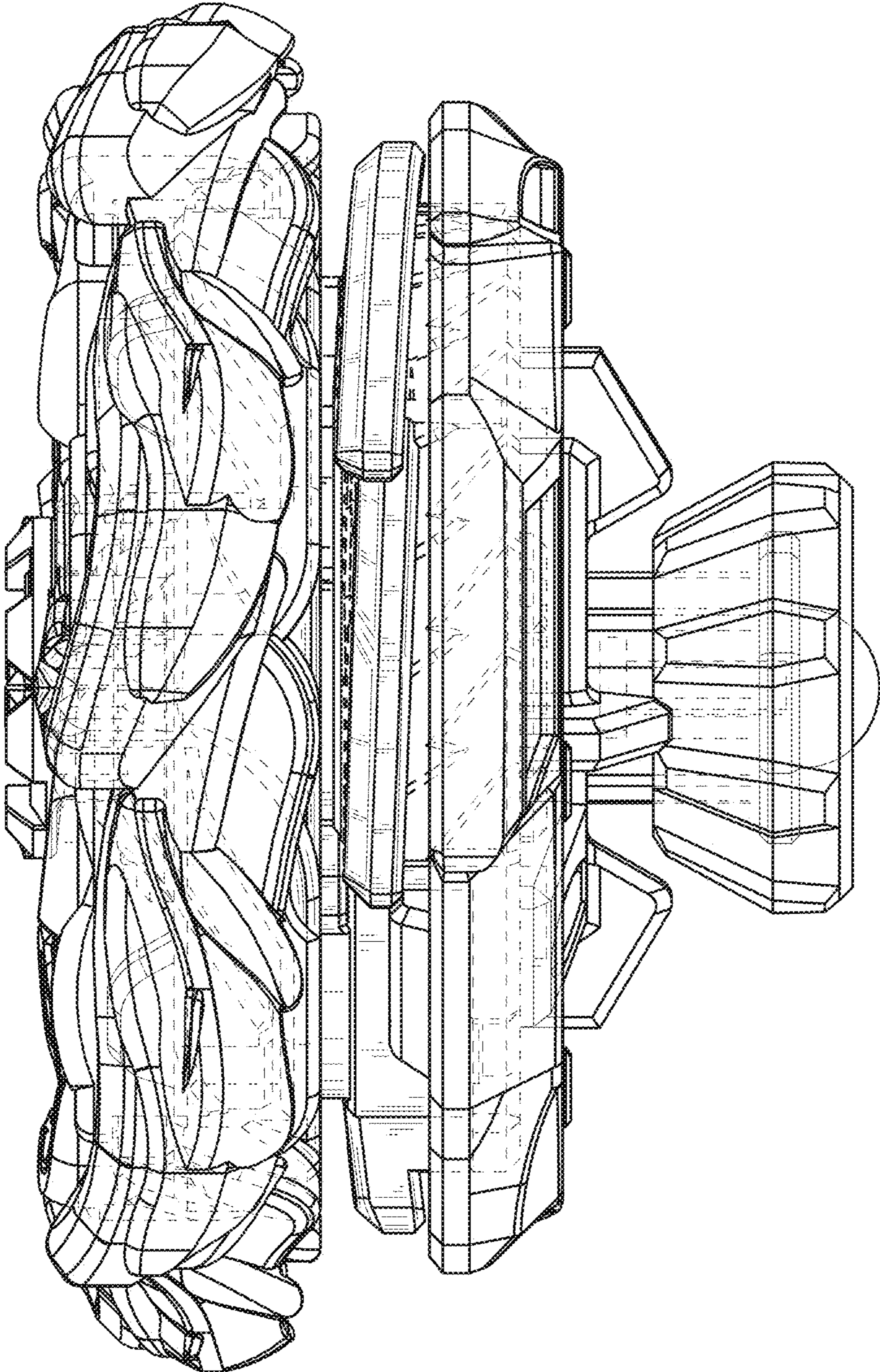


FIG. 3

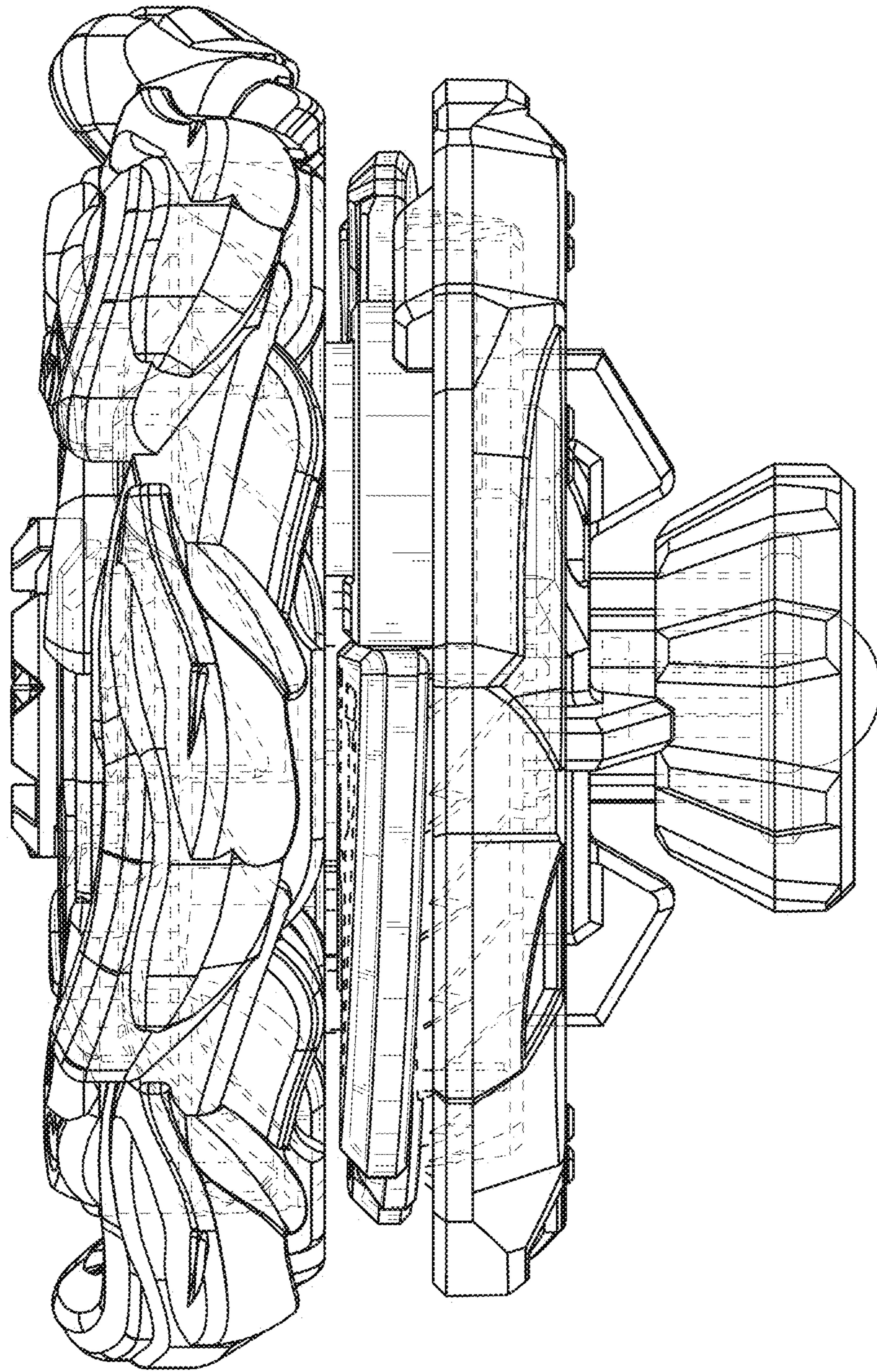


FIG. 4

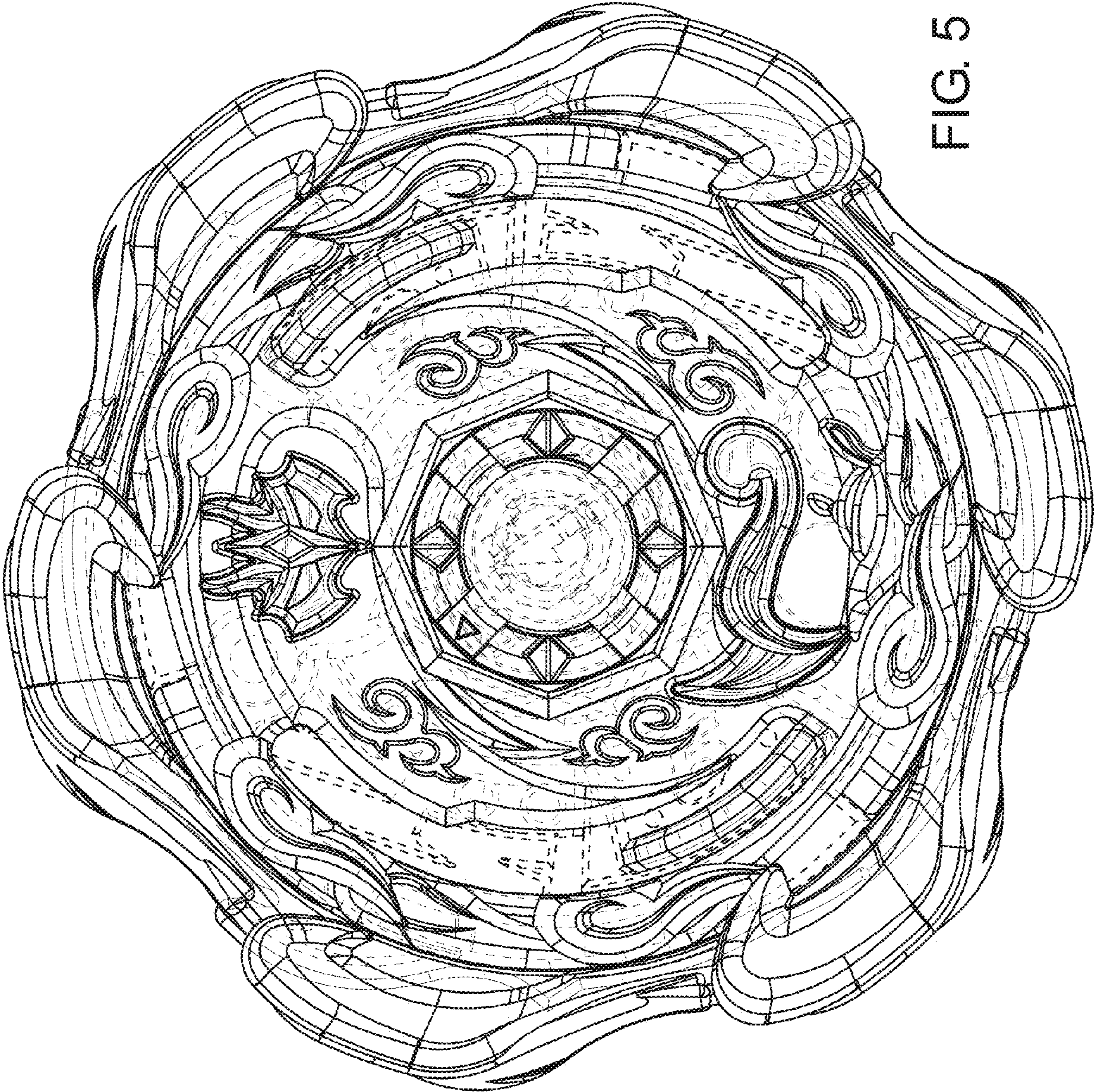


FIG. 5

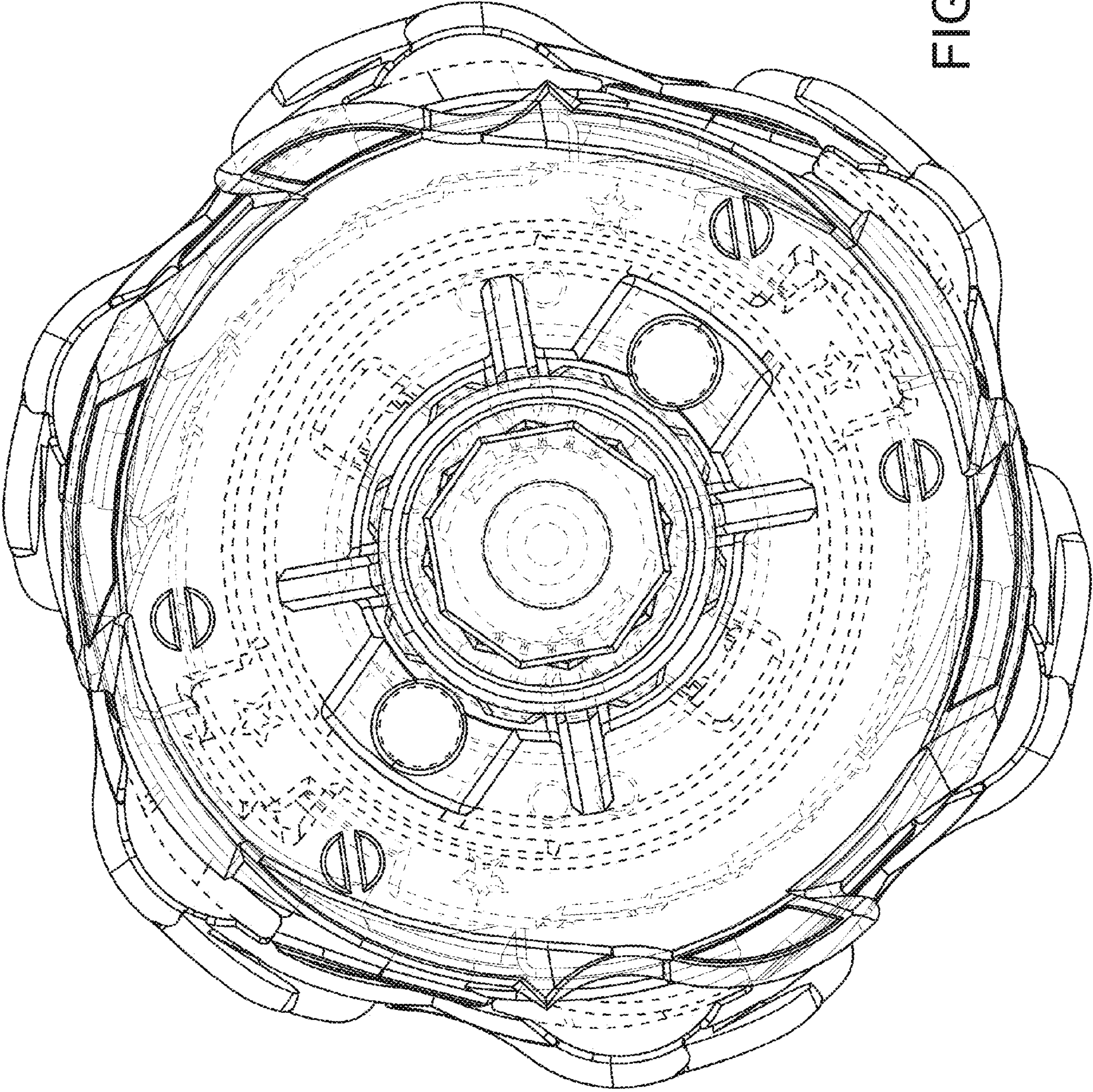


FIG. 6

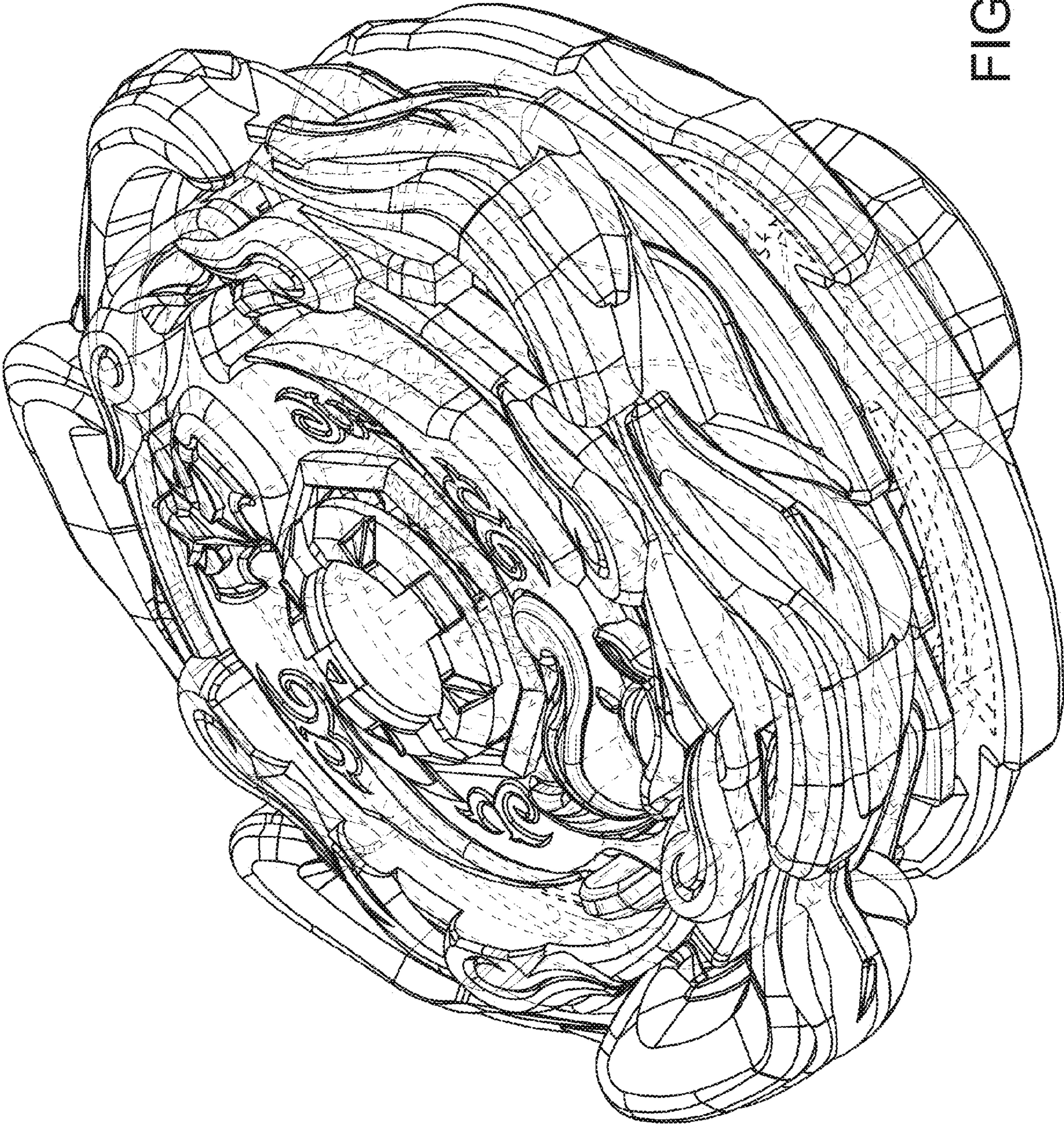


FIG. 7

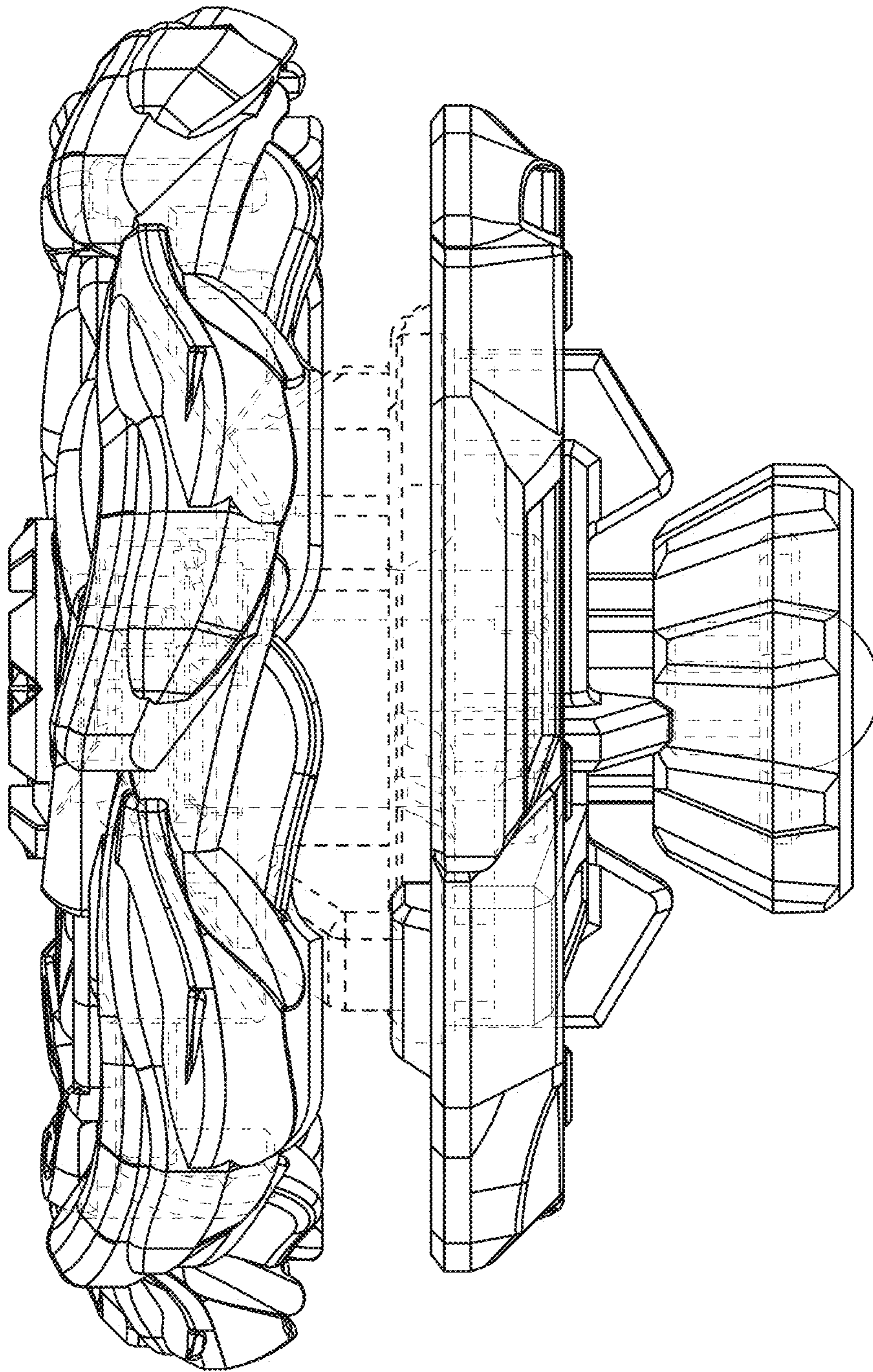


FIG. 8

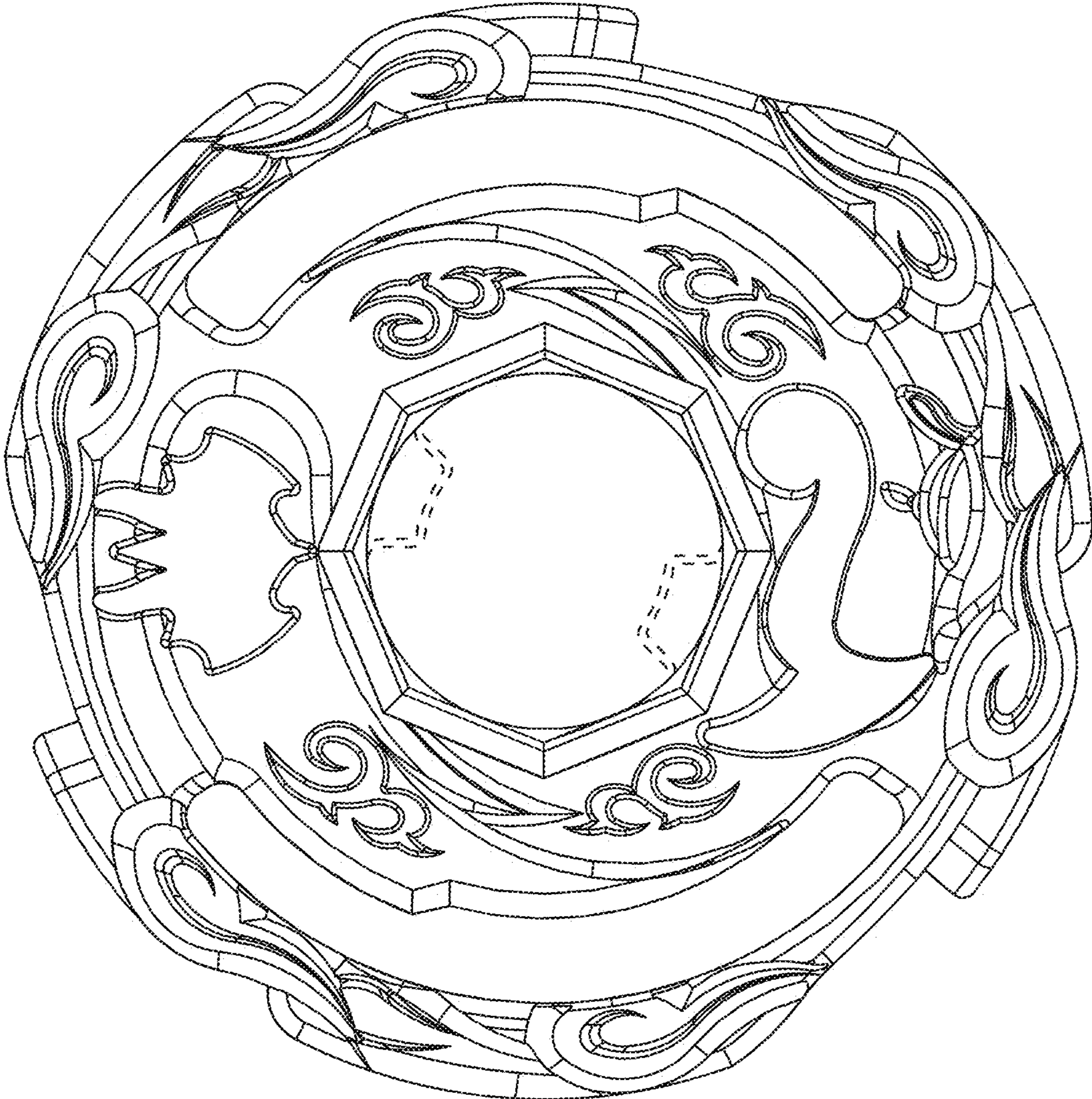


FIG. 9

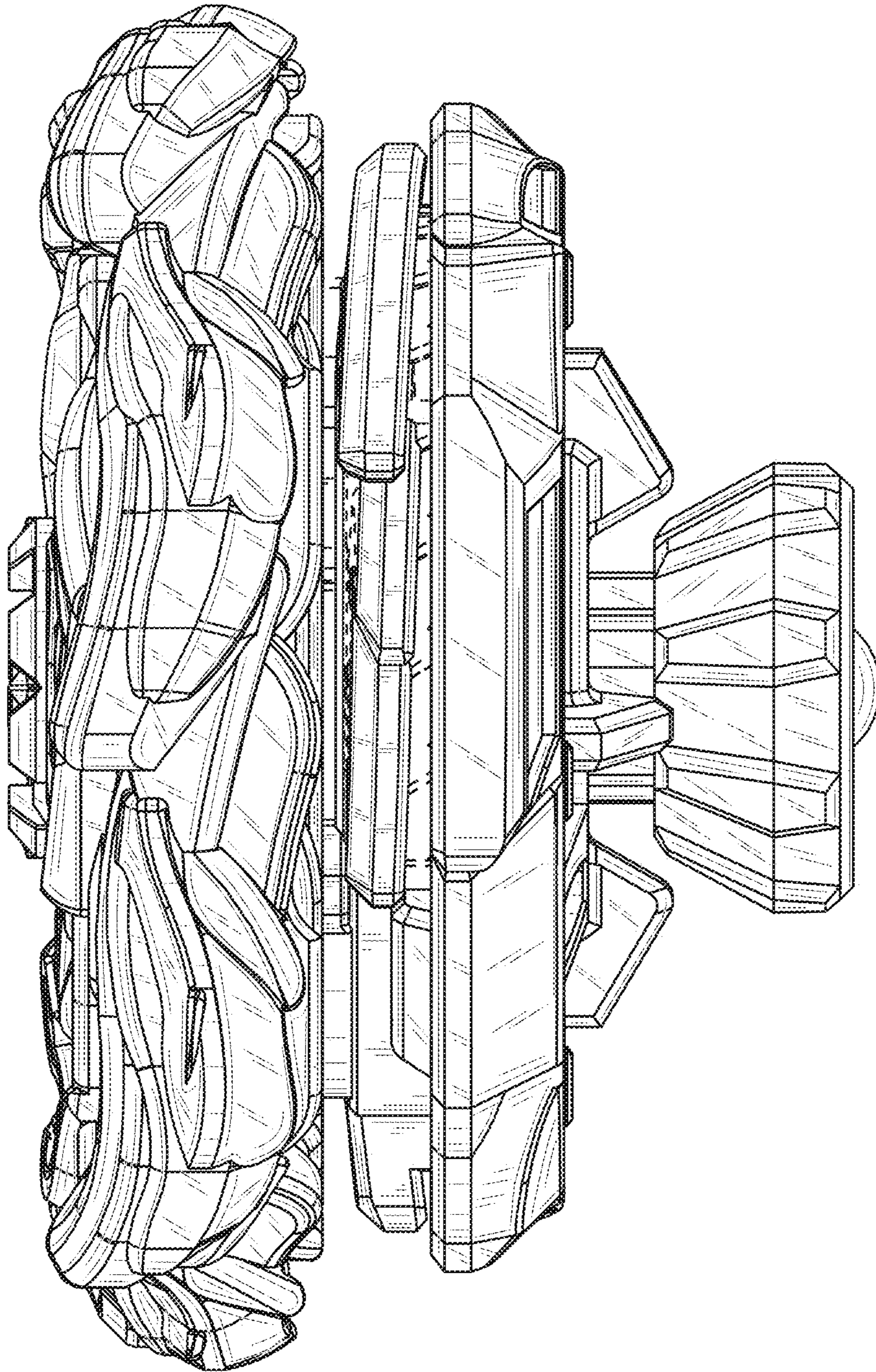


FIG.10

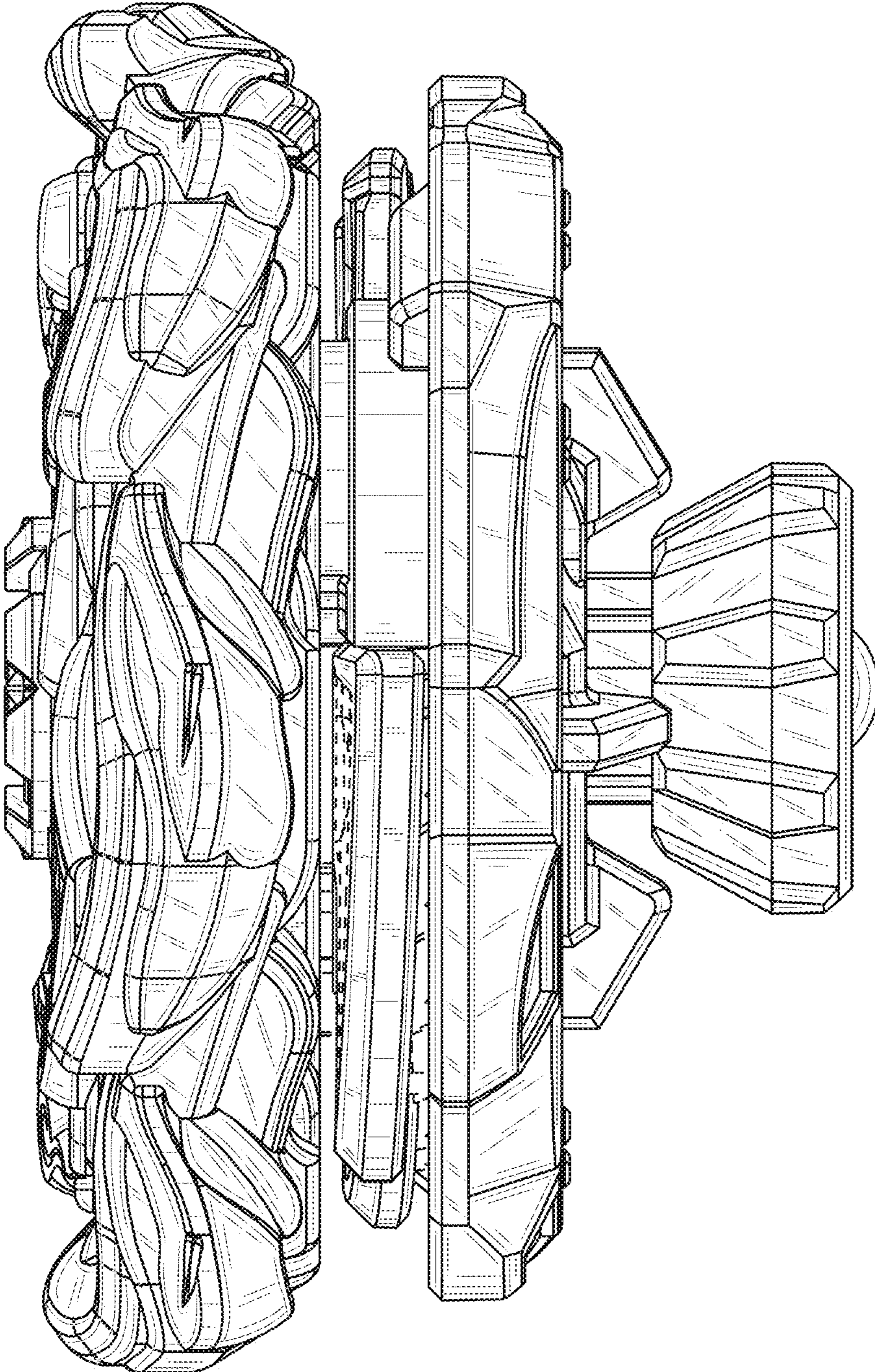


FIG. 11

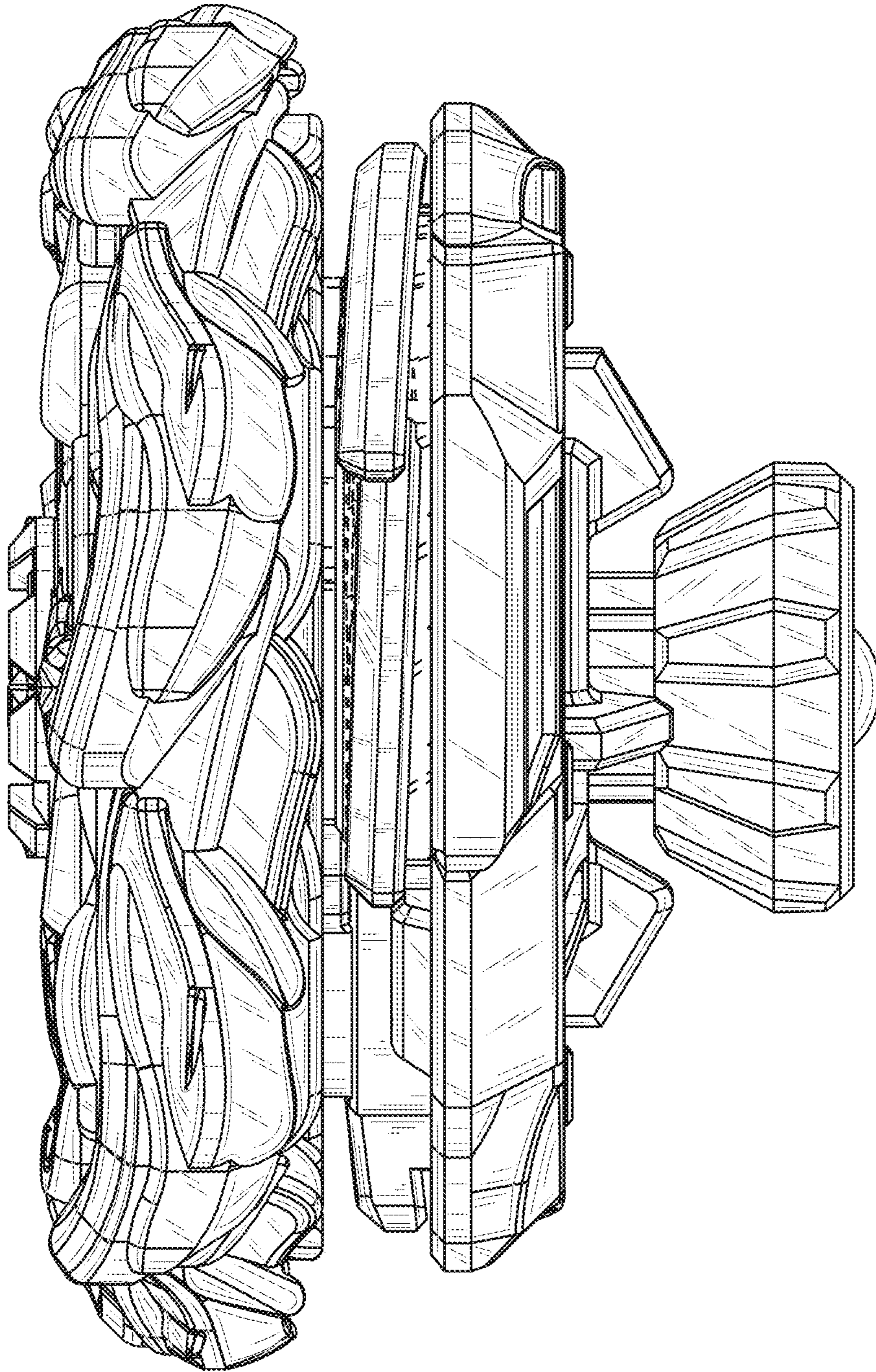


FIG. 12

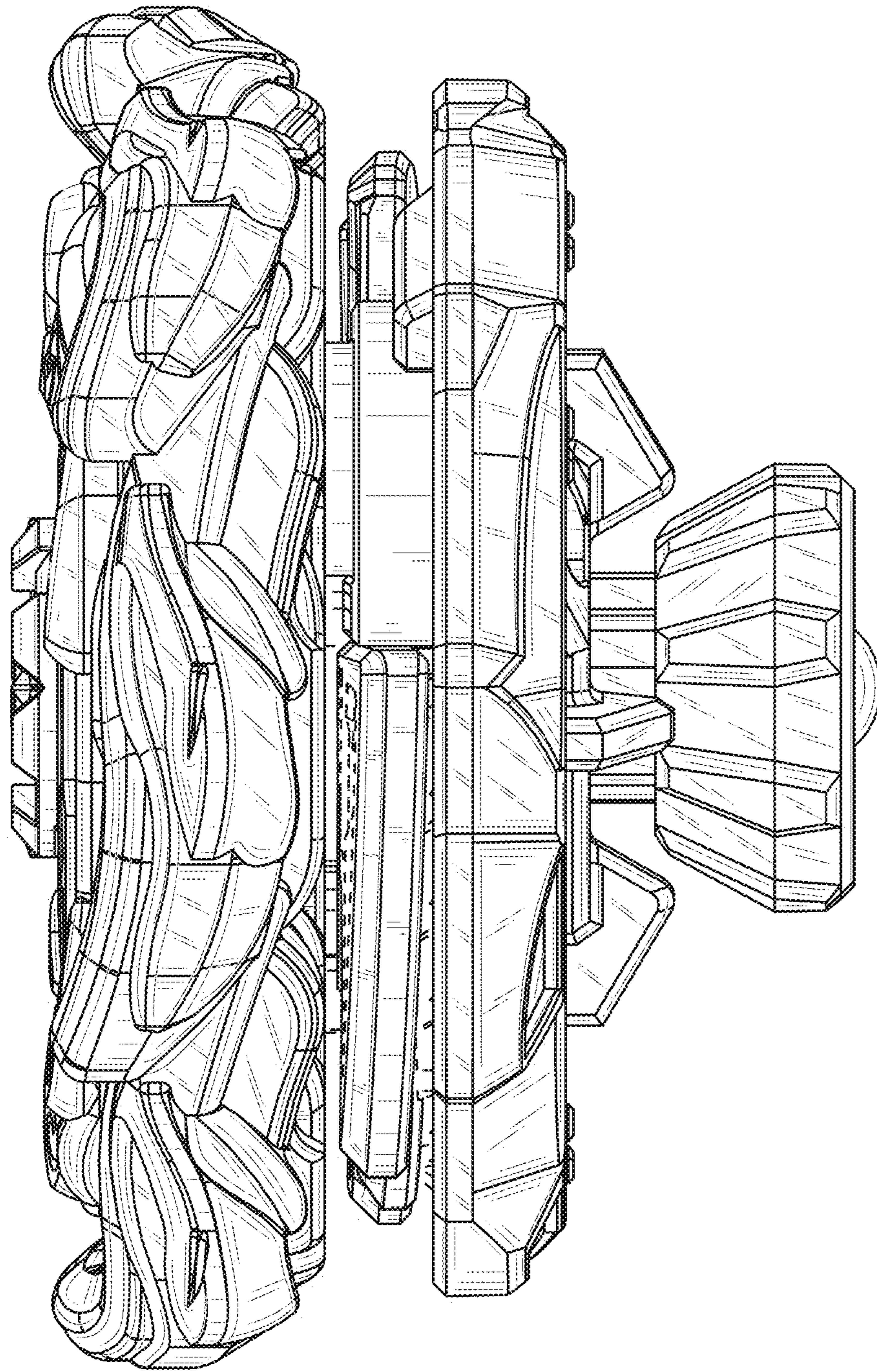


FIG. 13

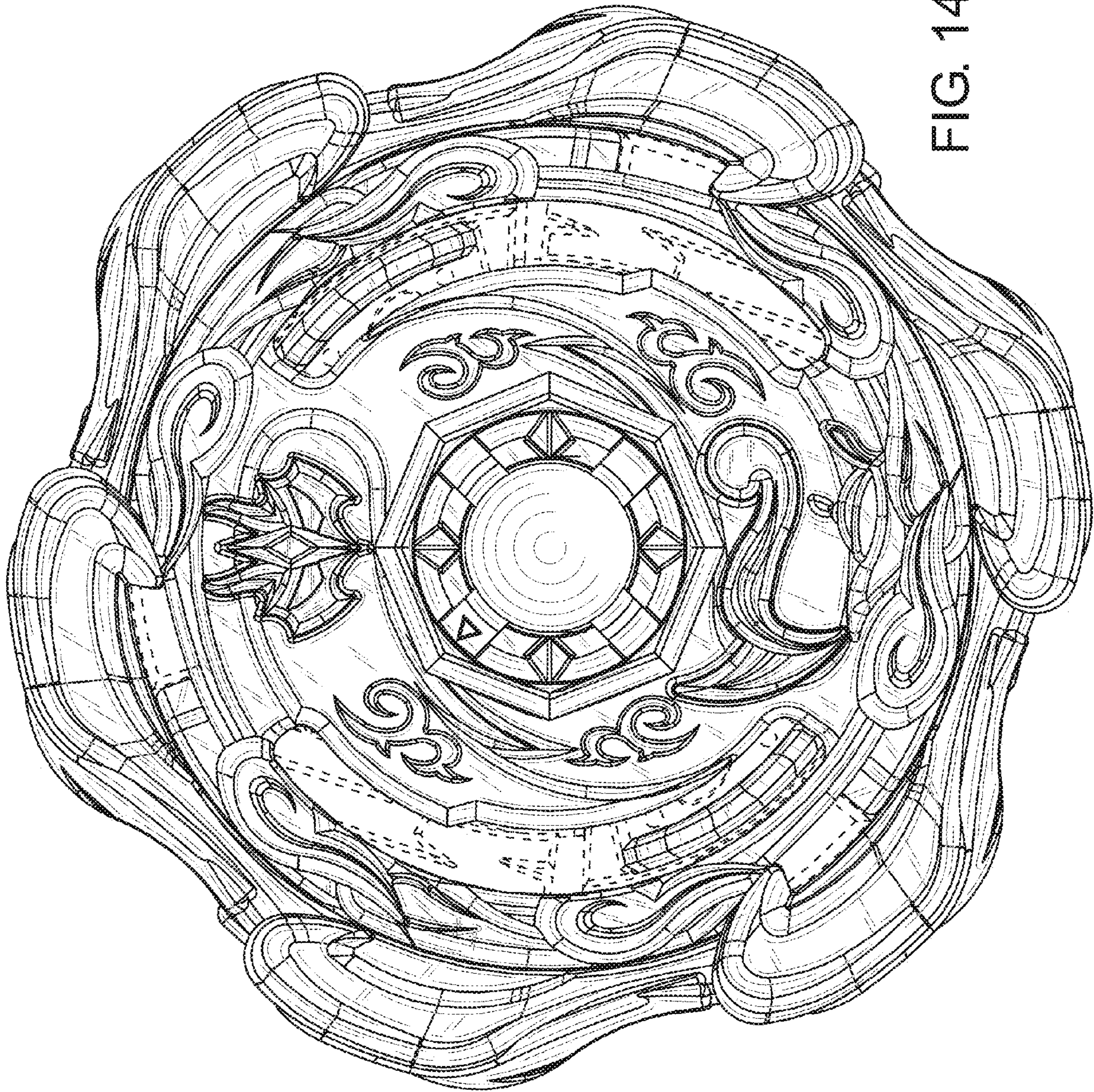


FIG. 14

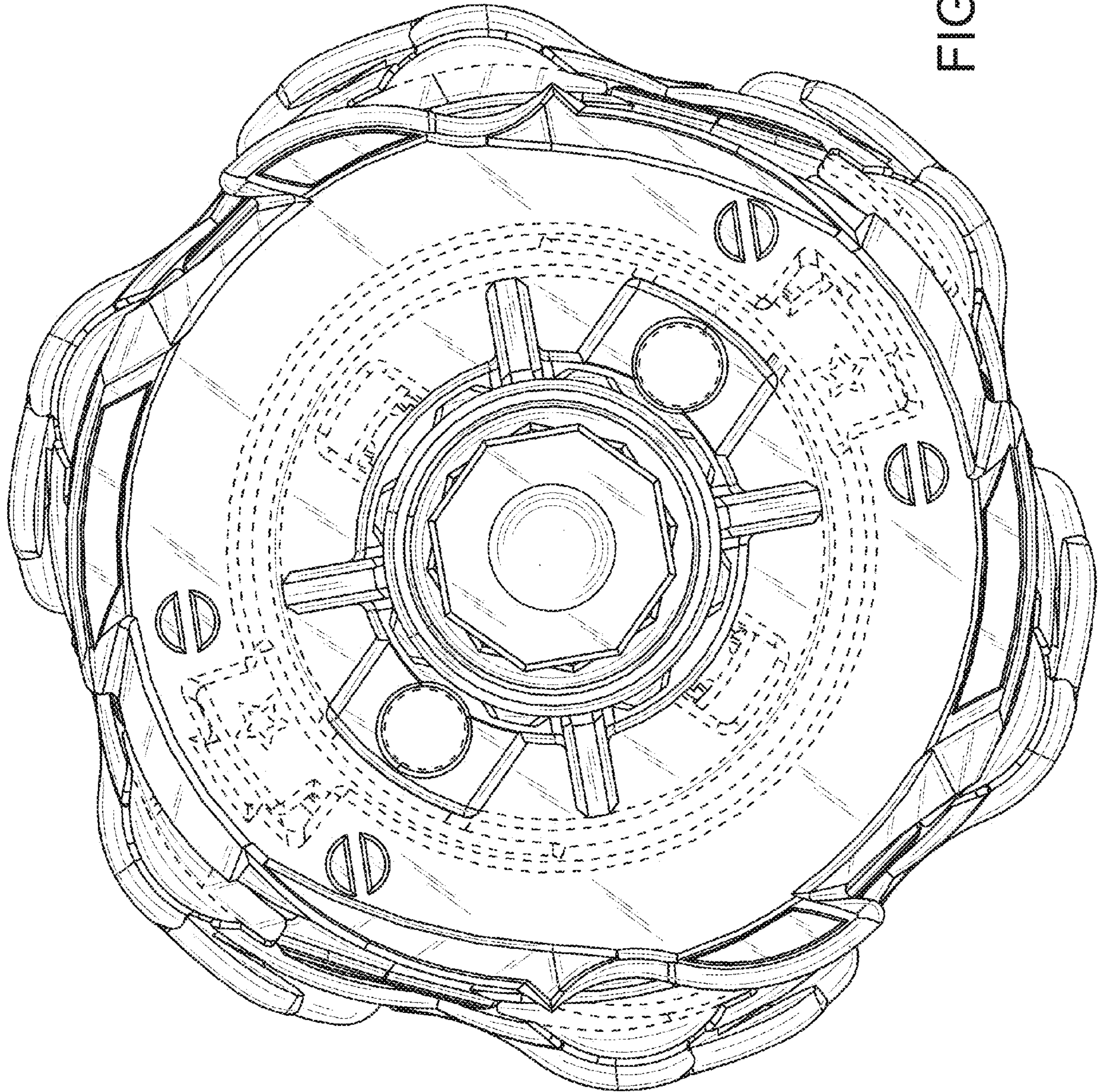


FIG. 15

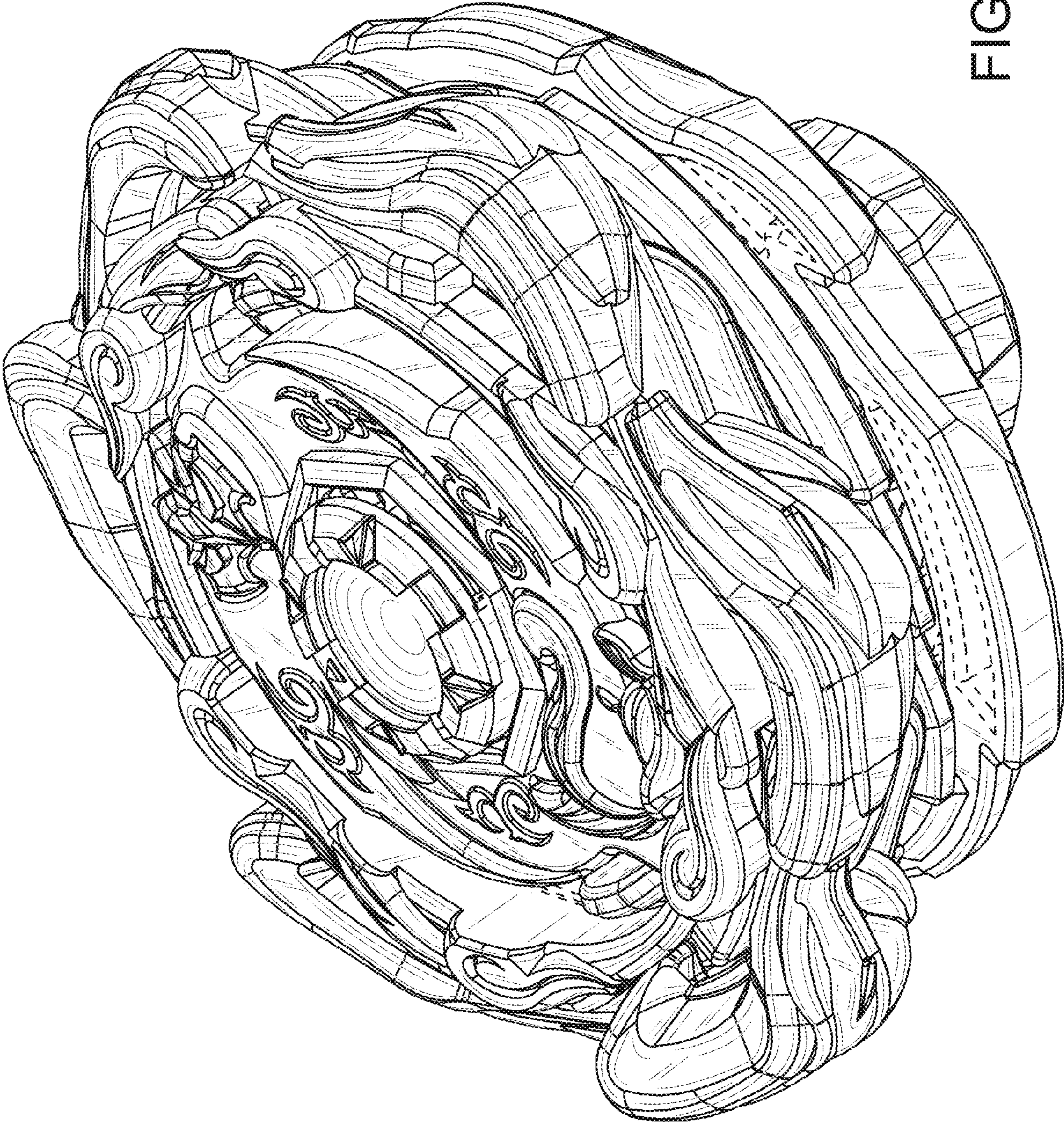


FIG. 16

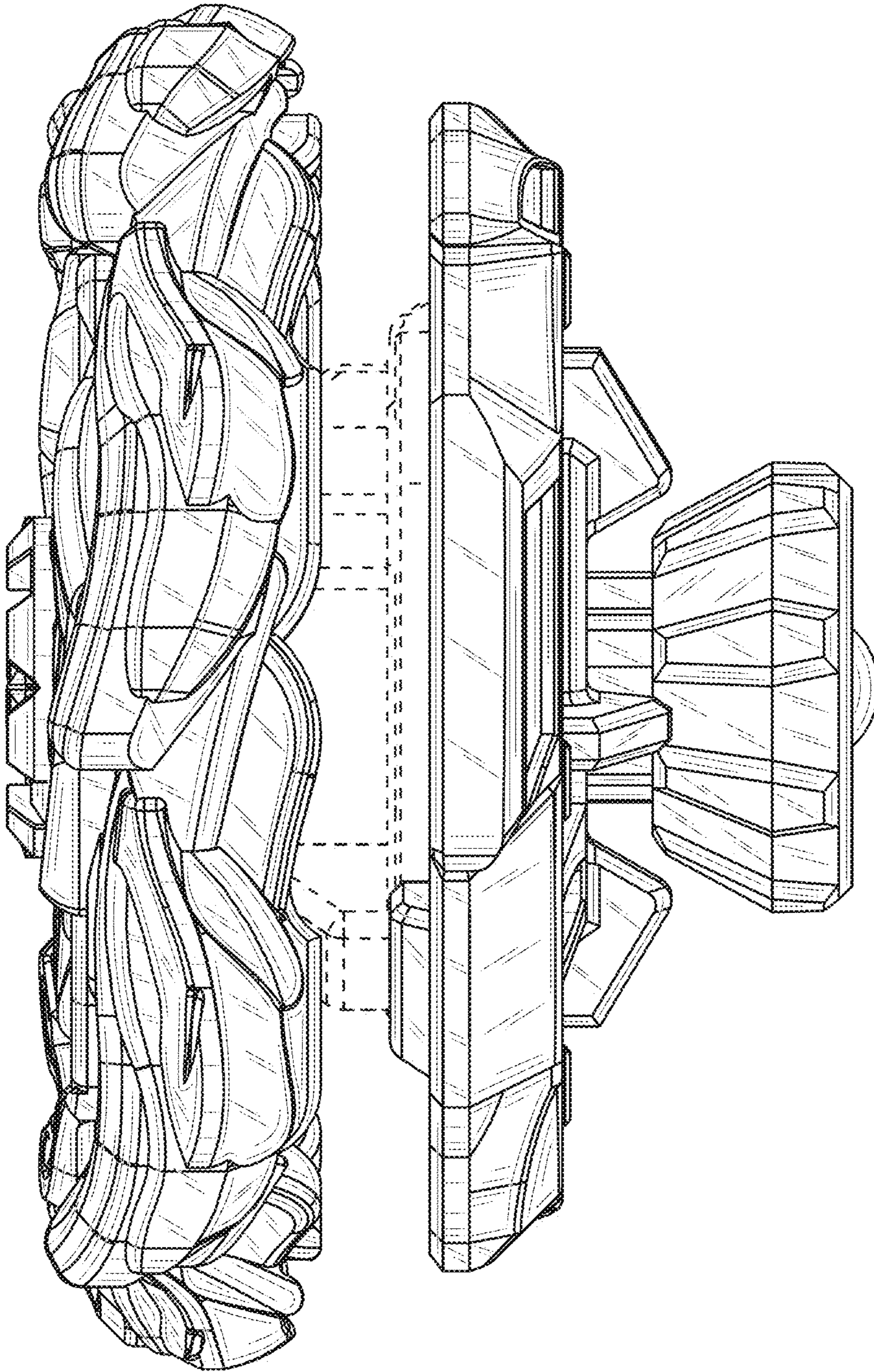


FIG. 17

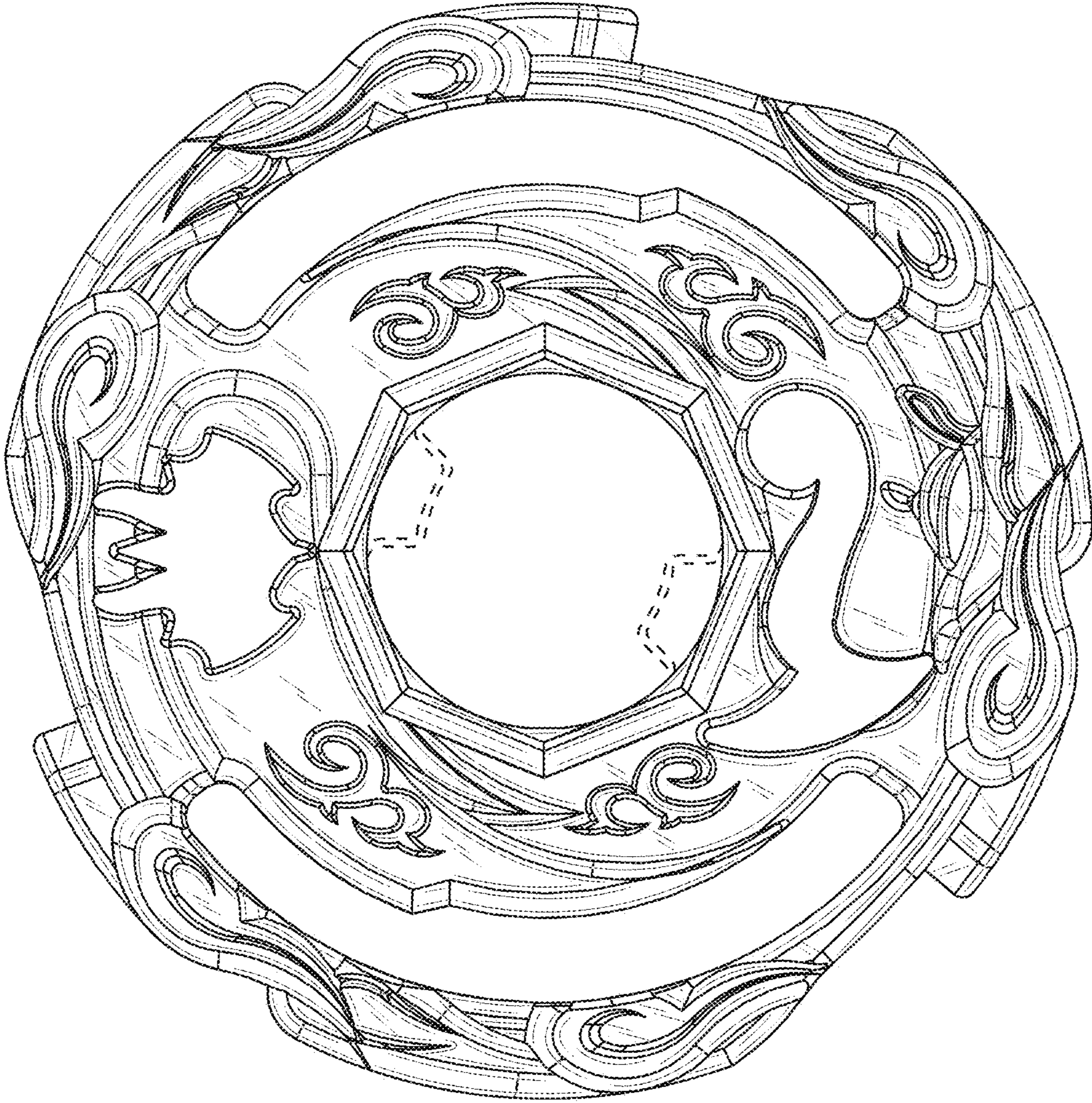


FIG. 18