



US00D880616S

(12) **United States Design Patent** (10) **Patent No.:** **US D880,616 S**
Field (45) **Date of Patent:** **** Apr. 7, 2020**

(54) **DUAL-SIDED GAME WHEEL**
(71) Applicant: **Matthew Field**, Provo, UT (US)
(72) Inventor: **Matthew Field**, Provo, UT (US)
(**) Term: **15 Years**
(21) Appl. No.: **29/673,034**
(22) Filed: **Dec. 11, 2018**
(51) **LOC (12) Cl.** **21-01**
(52) **U.S. Cl.**
USPC **D21/374**
(58) **Field of Classification Search**
USPC D14/488-490; D21/300, 324-327, 329,
D21/333-342, 345-349, 362, 363,
D21/365-369, 371, 374, 375
CPC A63F 5/00; A63F 5/0005; A63F 5/007;
A63F 5/02; A63F 3/00157; A63F
3/00164; A63F 3/00167; A63F 3/0017;
A63F 3/00176; A63F 3/00182; A63F
3/00189; A63F 3/00208; A63F
2009/2448; A63F 2009/245; A63F
2009/2457; A63F 2009/2458; A63F
2009/246; A63F 2009/2461; A63F
2009/2463
See application file for complete search history.

5,913,519 A * 6/1999 Sindelar A63F 3/00119
273/248
D494,635 S * 8/2004 Wright D21/362
D609,279 S * 2/2010 Kristensson D21/362
D690,368 S * 9/2013 Wojdyla-Gray D21/374

* cited by examiner

Primary Examiner — George D. Kirschbaum
Assistant Examiner — Joseph J Kukella
(74) *Attorney, Agent, or Firm* — Johan Eide; Christopher Pilling; My Patent Guys

(57) **CLAIM**

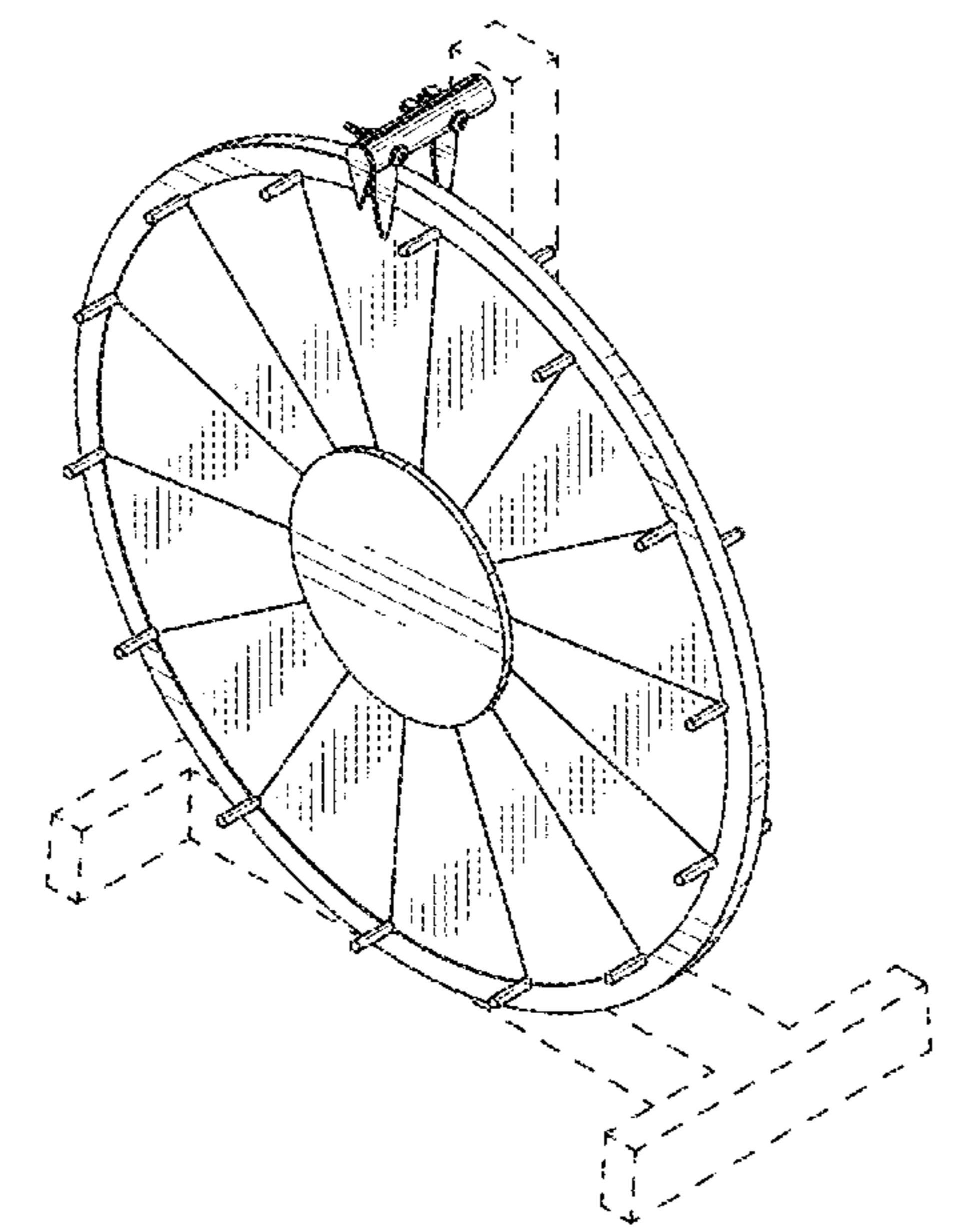
An ornamental design for a dual-sided game wheel, as shown and described.

DESCRIPTION

FIG. 1 is a front perspective view of a new design for a dual-sided game wheel that has a main dual-sided rotating game wheel with a series of front pegs aligned along a series of front panels and with a series of rear pegs aligned along a series of rear panels and a bracket with a front pointer and a rear pointer;
FIG. 2 is a front view thereof, showing the series of front panels and the series of front pegs spaced therebetween;
FIG. 3 is a top thereof;
FIG. 4 is a bottom view thereof;
FIG. 5 is a left view thereof;
FIG. 6 is a right thereof; and,
FIG. 7 is a rear view thereof, showing the series rear panels and the series of rear pegs spaced therebetween.
The solid line showing illustrates the claimed features within the design for the claimed article of manufacture.
The broken lines shown in the drawings depict portions of the dual-sided game wheel that form no part of the claimed design.
The shading is provided to illustrate contour and material type only and is not an indication of texture, gloss, etc.

(56) **References Cited**
U.S. PATENT DOCUMENTS
D32,139 S * 1/1900 Weathersby D21/362
D137,486 S * 3/1944 Cheek D21/362
D172,367 S * 6/1954 Salmon D21/362
3,853,679 A * 12/1974 Lerenzoni B27M 3/00
428/66.5
D295,191 S * 4/1988 Goldman D19/59
D330,733 S * 11/1992 Strey D21/347
D378,383 S * 3/1997 Jarrell A63F 3/00119
D21/374

1 Claim, 7 Drawing Sheets



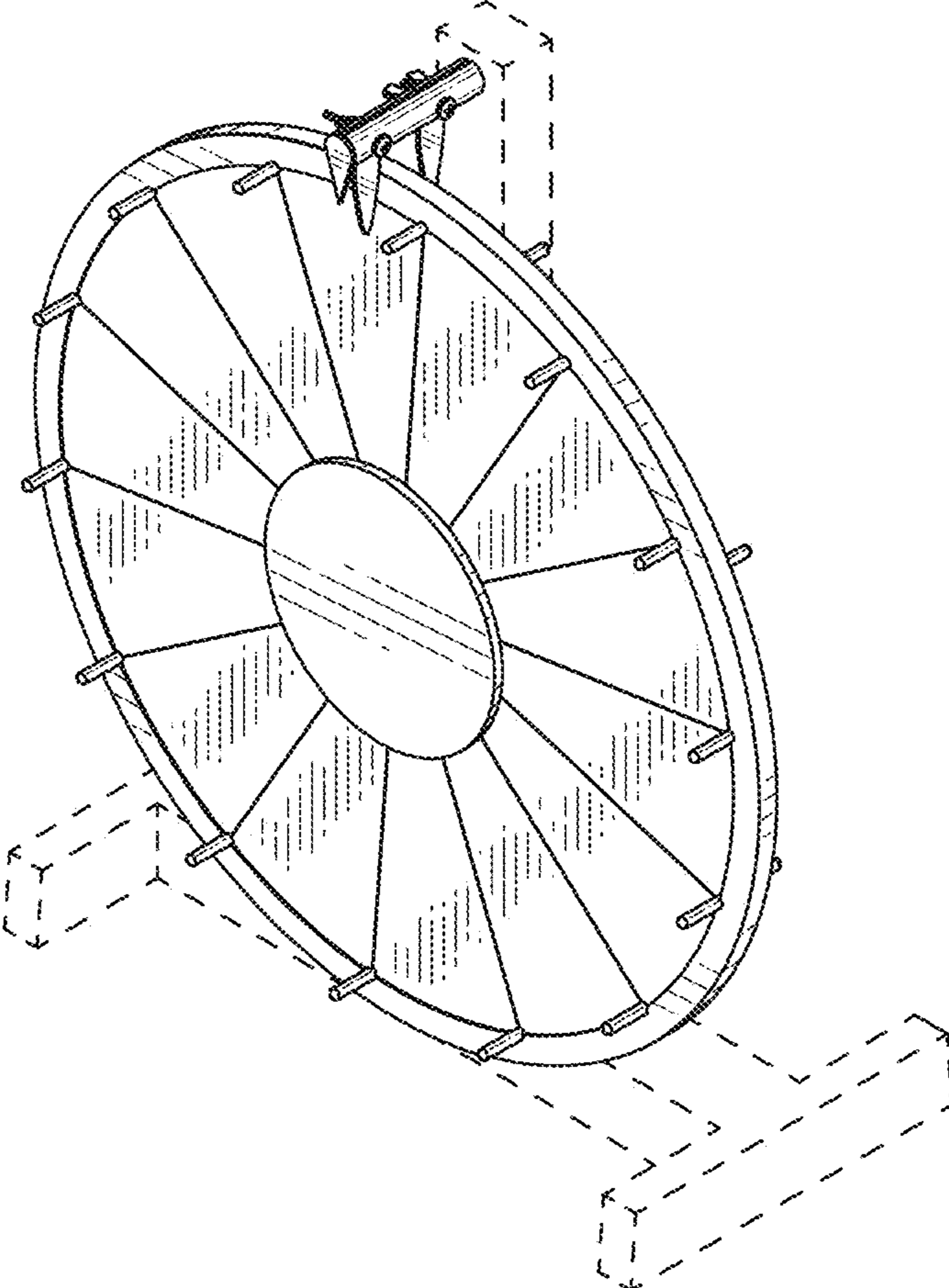


FIG.1

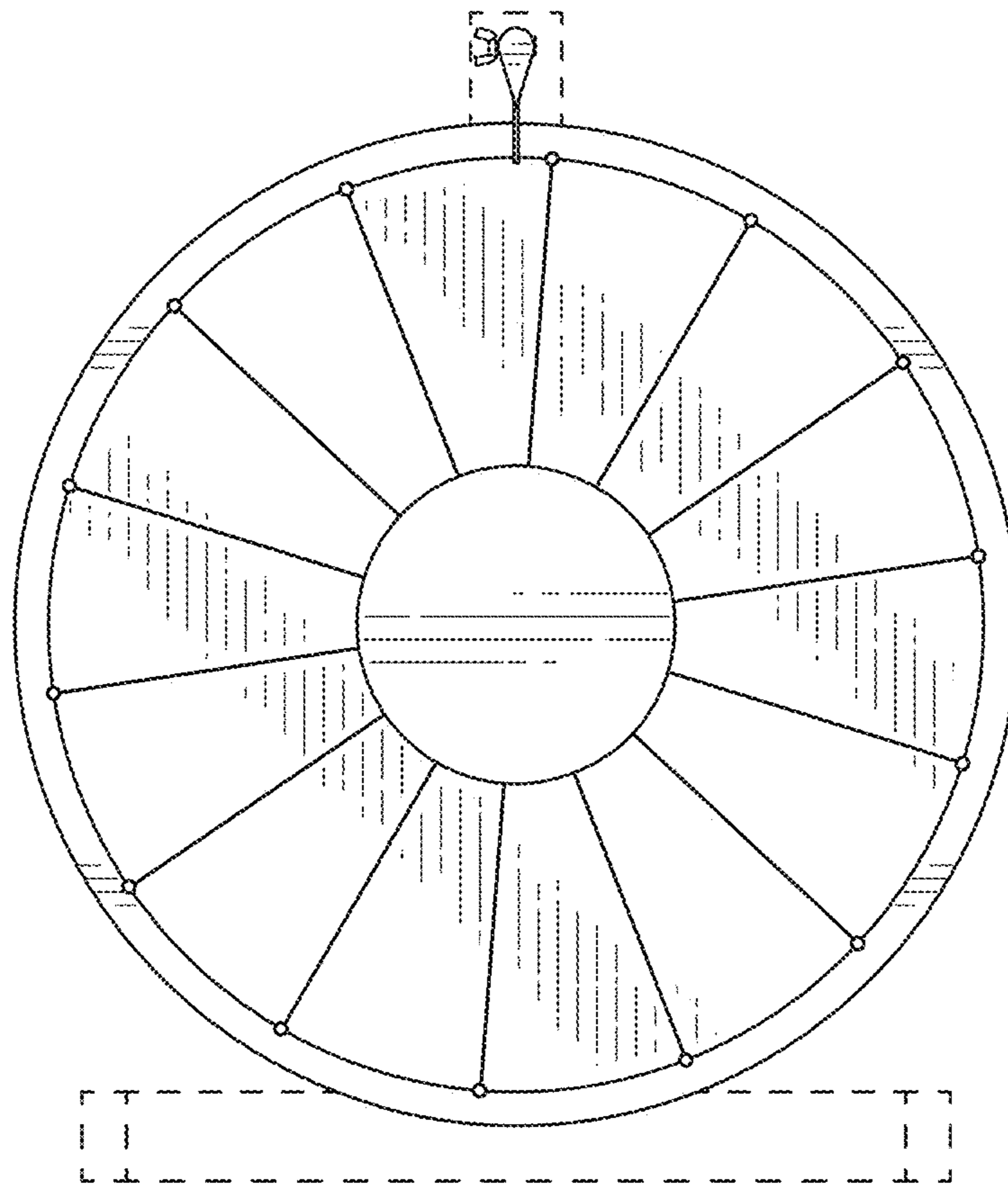


FIG. 2

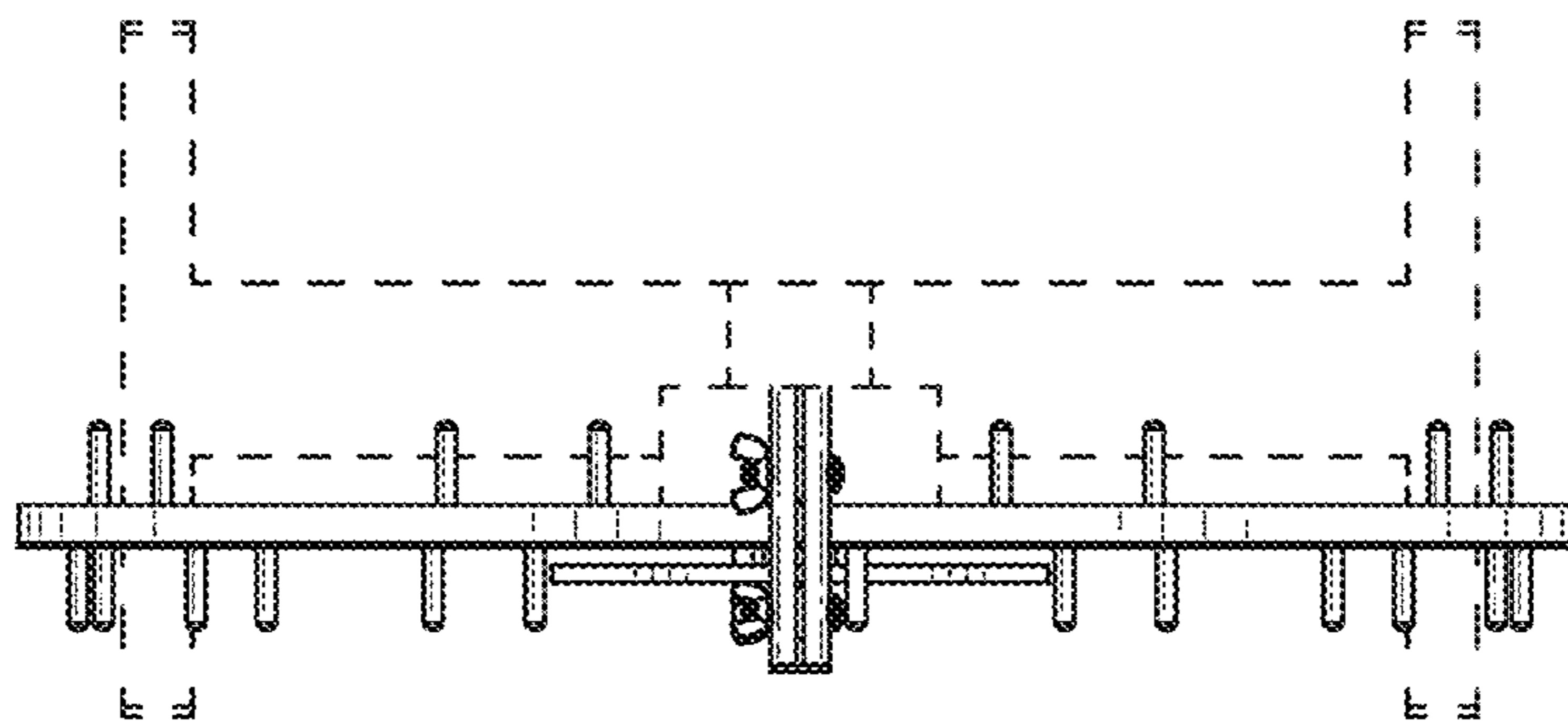


FIG.3

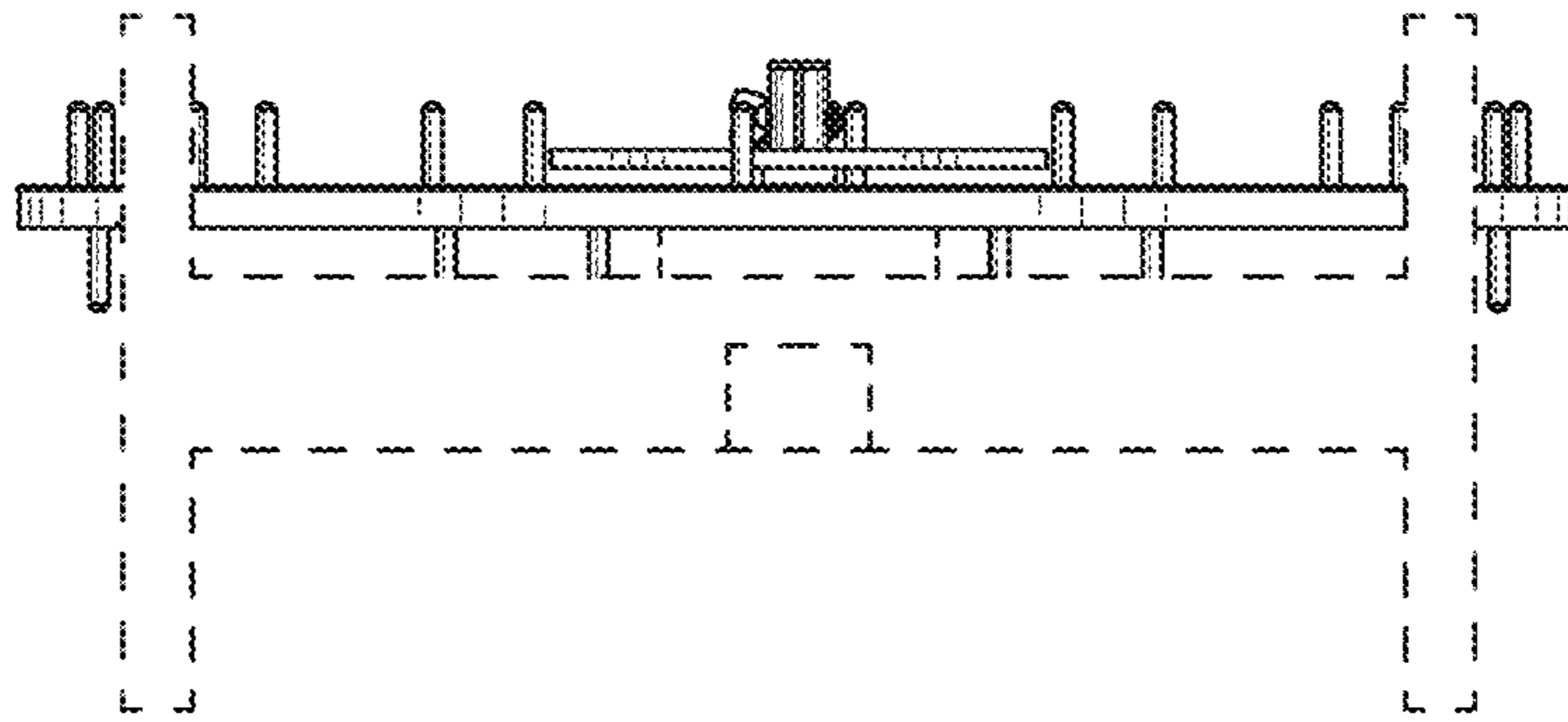


FIG.4

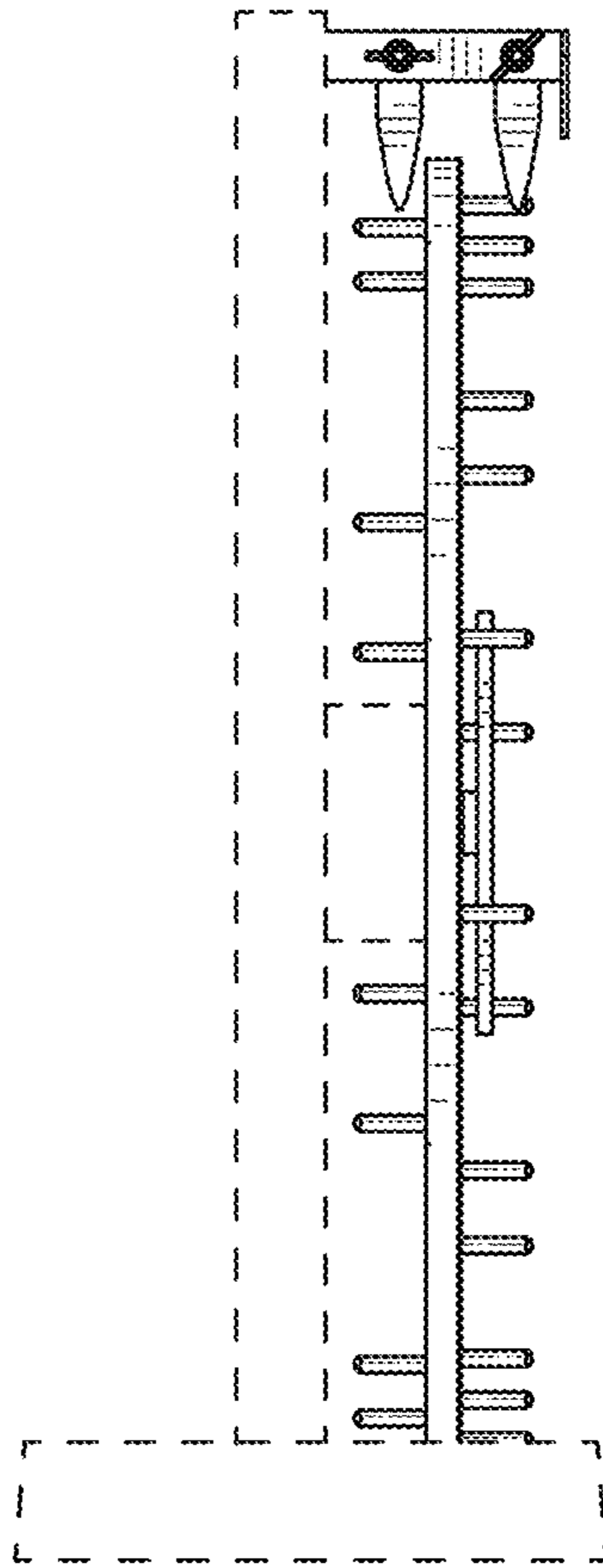


FIG.5

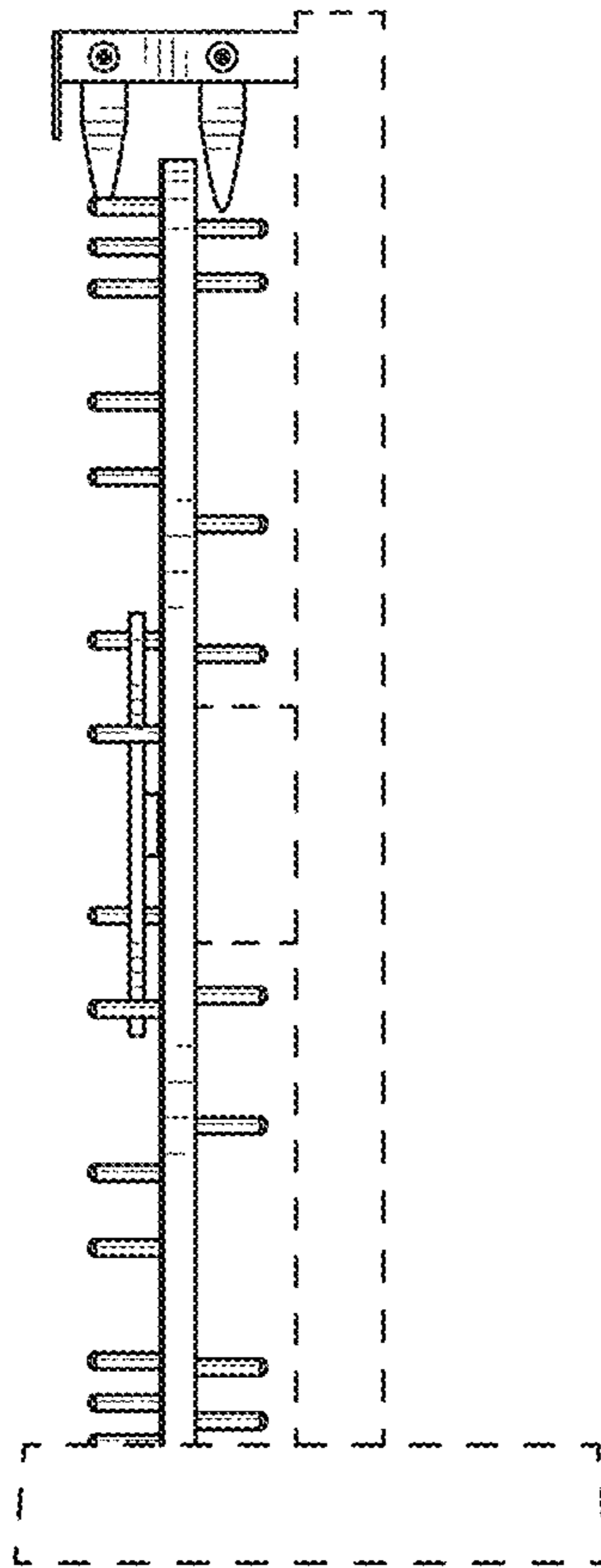


FIG.6

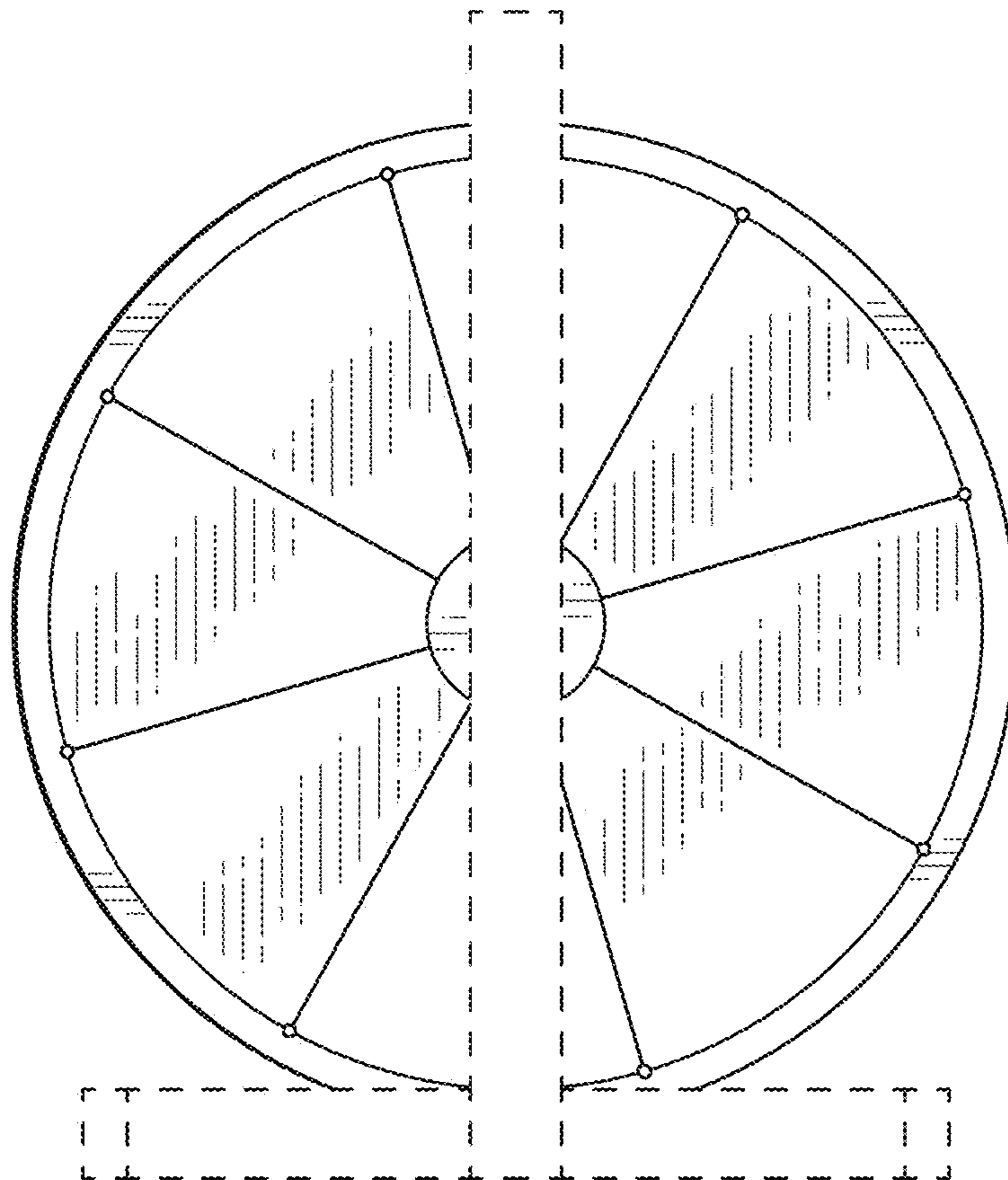


FIG. 7