



US00D880607S

(12) **United States Design Patent**
Priddy

(10) **Patent No.:** **US D880,607 S**

(45) **Date of Patent:** **** Apr. 7, 2020**

- (54) **GAMING MACHINE**
- (71) Applicant: **Aristocrat Technologies Australia Pty Limited**, North Ryde, NSW (AU)
- (72) Inventor: **Ryan Priddy**, Franklin, TN (US)
- (73) Assignee: **ARISTOCRAT TECHNOLOGIES AUSTRALIA PTY LIMITED** (AU)
- (**) Term: **15 Years**
- (21) Appl. No.: **29/632,471**
- (22) Filed: **Jan. 8, 2018**
- (51) **LOC (12) Cl.** **21-03**
- (52) **U.S. Cl.**
USPC **D21/369**
- (58) **Field of Classification Search**
USPC D21/369, 370, 371, 385, 329, 325, 394;
D14/307, 172, 129, 325, 401, 371, 126,
D14/439, 432, 450, 128, 375, 248, 374,
D14/341, 138 G, 127; 463/28, 13, 11,
463/16, 20, 25, 31, 46, 23, 30, 17, 36, 29,
463/42, 34, 32, 35, 19, 21, 22; 273/292,
273/203, 138.2, 143 R, 142 R, 138.1;
D19/60; D16/226; D8/335, 331, 334;
D26/141; D7/641
CPC G07F 17/32; G07F 17/34; G07F 17/3211;
G07F 17/3244; G07F 17/3267
See application file for complete search history.

- D428,864 S * 8/2000 Rooyackers D14/306
- D460,915 S * 7/2002 Lynch D21/329
- 6,695,697 B1 * 2/2004 Okada G07F 17/32
273/143 R
- D492,676 S * 7/2004 Monson D14/306
- D495,755 S * 9/2004 Wurz D21/325
- D496,407 S * 9/2004 Gadda D21/325
- D520,504 S * 5/2006 Martin D14/305
- 7,267,612 B2 9/2007 Alcorn et al.
- D557,348 S * 12/2007 Gutknecht D21/370
- D586,866 S * 2/2009 Hsu D21/370
- D592,709 S * 5/2009 McComb D21/370
- D596,678 S * 7/2009 Myers D21/370
- D599,859 S * 9/2009 Lesley D21/370
- D605,189 S * 12/2009 Kuroda D14/307
- D605,231 S * 12/2009 Hashimoto D21/325
- D612,432 S * 3/2010 De Viveiros Ortiz D21/325
- D613,802 S * 4/2010 Meyers D21/370
- D616,036 S * 5/2010 Cha D21/325
- D616,039 S * 5/2010 Bruzzese D21/370
- D619,177 S * 7/2010 Lee D21/325

(Continued)

Primary Examiner — Ryan Harvey
(74) *Attorney, Agent, or Firm* — McAndrews, Held & Malloy, Ltd.

(57) **CLAIM**

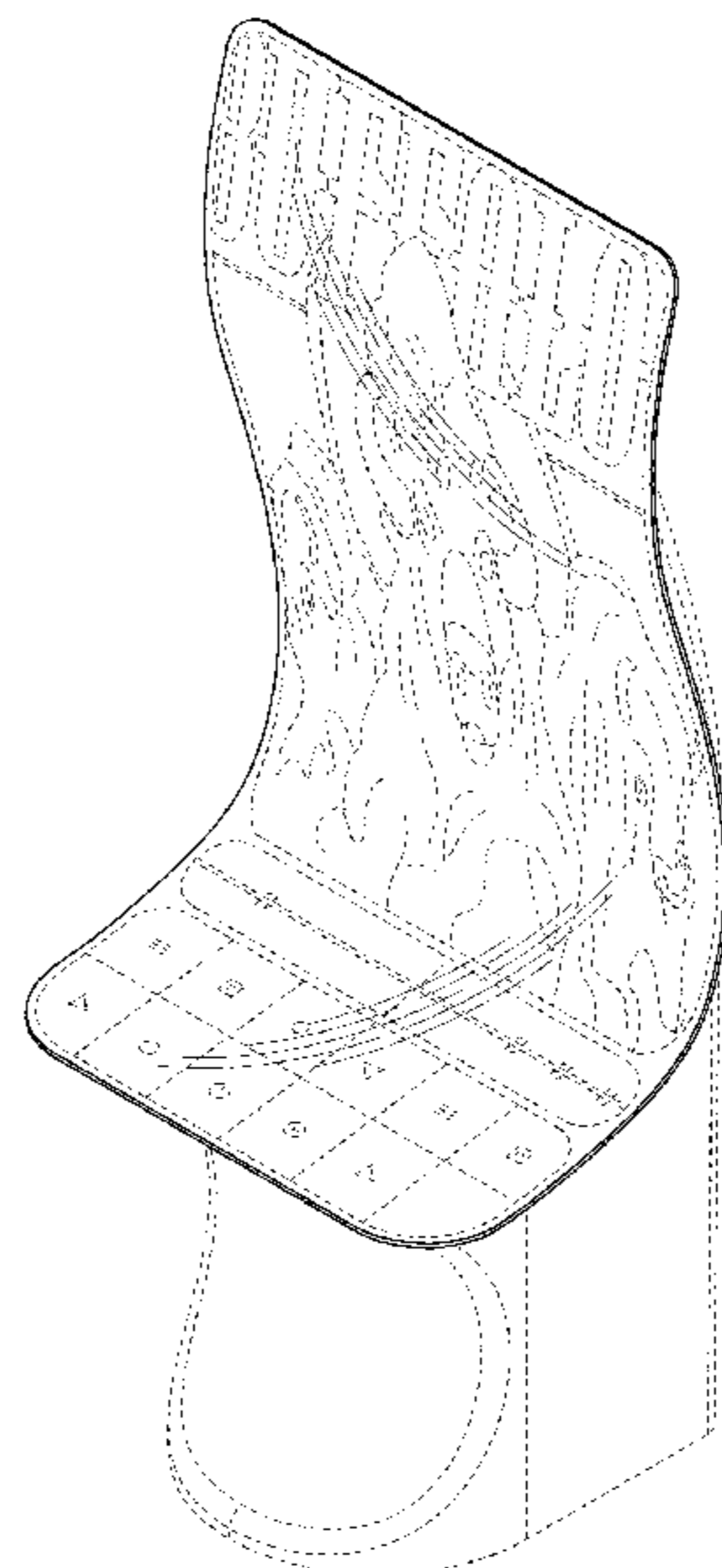
The ornamental design for a gaming machine, as shown and described.

DESCRIPTION

FIG. 1 is a front perspective view of a gaming machine showing my new design;
FIG. 2 is a front elevation view thereof;
FIG. 3 is a rear elevation view thereof;
FIG. 4 is a right side elevation view thereof;
FIG. 5 is a left side elevation view thereof;
FIG. 6 is a top plan view thereof; and,
FIG. 7 is a bottom plan view thereof.
The broken lines in the drawings illustrate portions of the gaming machine that form no part of the claimed design.

1 Claim, 6 Drawing Sheets

- (56) **References Cited**
U.S. PATENT DOCUMENTS
- D307,771 S * 5/1990 Cesaroni D21/370
- D378,604 S * 3/1997 Brettschneider D21/370
- D381,700 S * 7/1997 Brettschneider D21/370
- D388,469 S * 12/1997 Dickenson D21/325
- D406,612 S * 3/1999 Johnson D21/327
- D424,122 S * 5/2000 Dickenson D21/325



(56)

References Cited

U.S. PATENT DOCUMENTS

D623,621	S *	9/2010	Roed	D14/127	D803,324	S *	11/2017	Bussey	D21/370
D646,336	S	10/2011	Kelly et al.		D803,818	S *	11/2017	Kim	D14/248
D646,337	S	10/2011	Kelly et al.		D805,065	S *	12/2017	Taylor	D14/307
D673,621	S *	1/2013	Johnson	D21/369	D806,159	S *	12/2017	Haller	D18/4.5
D677,736	S *	3/2013	Dorn	D21/370	D808,354	S *	1/2018	Castro	D14/127
D678,270	S *	3/2013	Song	D14/341	D808,467	S *	1/2018	Huang	D21/369
D684,637	S *	6/2013	Shelley	D21/370	D809,068	S *	1/2018	Ballman	D21/369
D684,639	S *	6/2013	Shelley	D21/370	D809,069	S *	1/2018	Ballman	D21/369
D697,558	S *	1/2014	Myers	D21/325	D811,384	S *	2/2018	Diasabeygunawardena	D14/336
D704,275	S *	5/2014	Lesley	D21/370	D812,145	S *	3/2018	Huang	D21/369
D705,872	S *	5/2014	Ortiz	D21/370	D812,146	S *	3/2018	Castro	D21/369
D707,646	S *	6/2014	Kim	D14/138 G	D812,148	S *	3/2018	Castro	D21/369
D708,676	S *	7/2014	Ballman	D14/307	D818,048	S *	5/2018	Calhoun	D21/369
D712,975	S *	9/2014	Lesley	D21/369	D818,524	S *	5/2018	Dong	D18/4.4
D713,447	S *	9/2014	Balar	D18/4.6	D819,747	S *	6/2018	Castro	D21/369
D713,811	S *	9/2014	Isaacs	D14/138 AA	D832,355	S *	10/2018	Castro	D21/369
D714,269	S *	9/2014	Lee	D14/248	D832,356	S *	10/2018	Castro	D21/369
D714,270	S *	9/2014	Lee	D14/248	D832,357	S *	10/2018	Castro	D21/369
D714,271	S *	9/2014	Lee	D14/248	D836,164	S *	12/2018	Castro	D21/369
D714,392	S *	9/2014	Arabian	D21/369	D836,720	S *	12/2018	Kang	D19/113
D715,279	S *	10/2014	Lee	D14/248	10,181,236	B2 *	1/2019	Goldstein	G07F 17/3216
D716,246	S *	10/2014	Yun	D14/138 R	D842,929	S *	3/2019	Hung	D21/325
D718,818	S *	12/2014	Sumii	D14/401	D842,930	S *	3/2019	Johnson	D21/369
D719,615	S *	12/2014	Inoue	D21/370	D842,933	S *	3/2019	Castro	D21/396
D719,616	S *	12/2014	Inoue	D21/370	D843,458	S *	3/2019	Castro	D21/369
D721,767	S *	1/2015	Ferrazoli	D21/370	D843,459	S *	3/2019	Castro	D21/369
D726,139	S *	4/2015	Park	D14/138 R	D843,460	S *	3/2019	Castro	D21/369
D726,140	S *	4/2015	Park	D14/138 R	D843,461	S *	3/2019	Castro	D21/369
D726,678	S *	4/2015	Park	D14/138 R	D843,465	S *	3/2019	Castro	D21/369
D727,431	S *	4/2015	Themann	D21/370	D843,467	S *	3/2019	Johnson	D21/369
D730,993	S *	6/2015	Castro	D21/370	D843,468	S *	3/2019	Johnson	D21/369
D732,520	S *	6/2015	Themann	D14/307	D843,474	S *	3/2019	Lesley	D21/369
D733,088	S *	6/2015	Garneau	D14/172	D843,475	S *	3/2019	Lesley	D21/369
D736,751	S *	8/2015	Lee	D14/248	D843,476	S *	3/2019	Lesley	D21/369
D736,752	S *	8/2015	Lee	D14/248	D843,477	S *	3/2019	Lesley	D21/369
D740,887	S *	10/2015	Randazzo	D21/370	D843,478	S *	3/2019	Lesley	D21/369
D742,974	S *	11/2015	Lesley	D21/369	D843,479	S *	3/2019	Castro	D21/369
D742,975	S *	11/2015	Myers	D21/370	D843,480	S *	3/2019	Castro	D21/369
D747,763	S *	1/2016	Haller	D18/4.5	D843,482	S *	3/2019	Holland	D21/396
D752,573	S *	3/2016	Ballman	D14/307	D843,866	S *	3/2019	Mutch	D10/87
D760,846	S *	7/2016	Castro	D21/370	D844,062	S *	3/2019	Lesley	D21/369
D762,613	S *	8/2016	Garneau	D14/172	D849,149	S *	5/2019	Bussey	D21/369
RE46,169	E	10/2016	Kelly et al.		D849,150	S *	5/2019	Gallagher	D21/369
9,478,097	B2	10/2016	Hennessy et al.		D850,537	S *	6/2019	Urban	D21/370
D770,449	S *	11/2016	Bae	D14/341	10,325,446	B2 *	6/2019	Castro	G07F 17/322
D770,450	S *	11/2016	Bae	D14/341	D852,890	S *	7/2019	Ross	D21/370
D770,998	S *	11/2016	Kwak	D14/138 AB	D854,620	S *	7/2019	Yeh	D21/369
D771,628	S *	11/2016	Bae	D14/341	D854,621	S *	7/2019	Calhoun	D21/369
D776,112	S *	1/2017	Bae	D14/374	D858,641	S *	9/2019	Legras	D21/370
D786,859	S *	5/2017	Kim	D14/341	D858,642	S *	9/2019	Legras	D21/370
9,679,435	B2 *	6/2017	Schrementi	G07F 17/3213	2015/0001291	A1 *	1/2015	Govindarajan	G06Q 20/208 235/380
D792,384	S *	7/2017	Kim	D14/248	2015/0087403	A1 *	3/2015	Castro	G07F 17/3209 463/25
D795,855	S *	8/2017	Kim	D14/248	2016/0070964	A1 *	3/2016	Conrad	G07G 1/0018 348/150
D797,713	S *	9/2017	Kim	D14/248	2016/0093143	A1	3/2016	Lamb et al.	
D801,435	S *	10/2017	Themann	D21/369	2018/0078854	A1 *	3/2018	Achmueller	A63F 13/20
D801,945	S *	11/2017	Cho	D14/138 G	2019/0080547	A1 *	3/2019	Urban	G07F 17/322
D802,590	S *	11/2017	Bae	D14/374					
D802,591	S *	11/2017	Bae	D14/374					
D803,323	S *	11/2017	Bussey	D21/369					

* cited by examiner

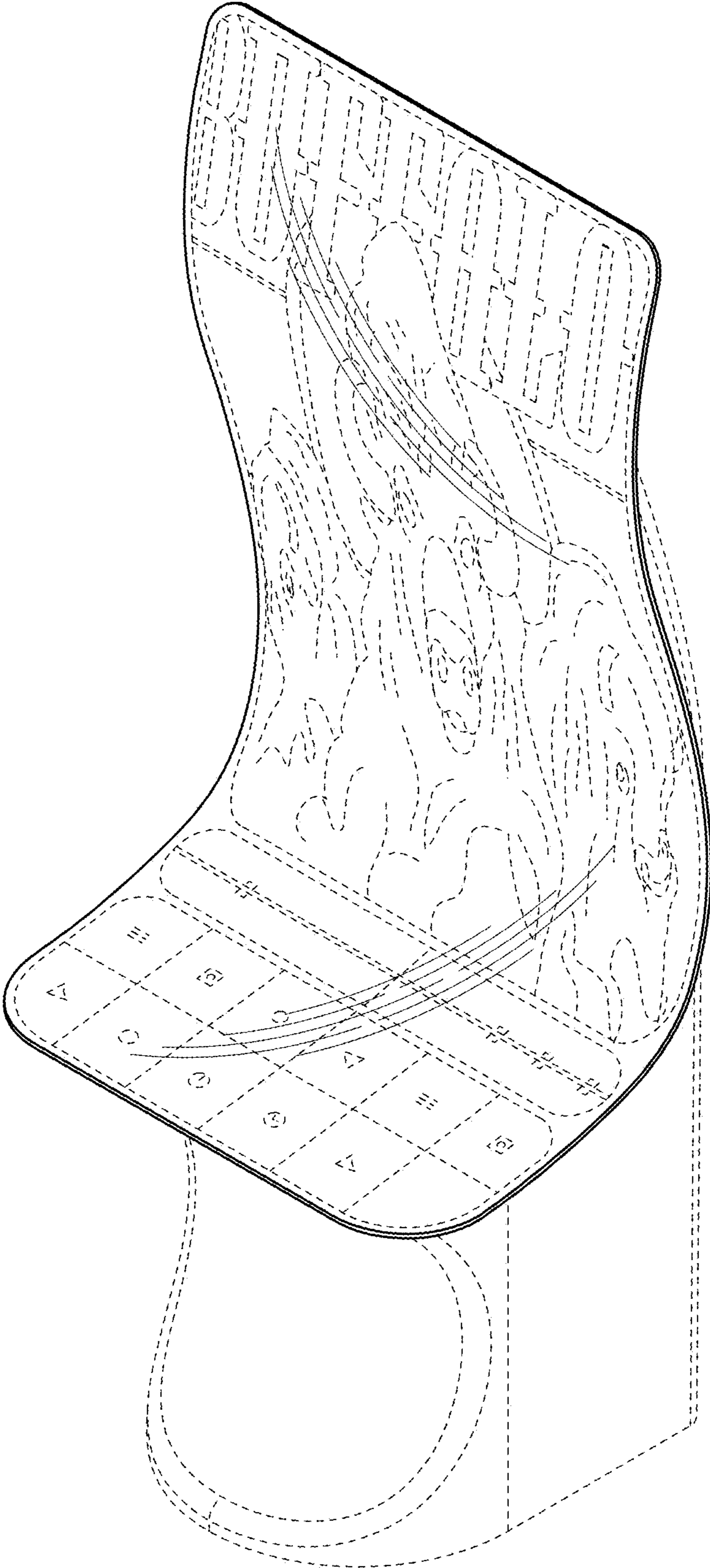


FIG. 1

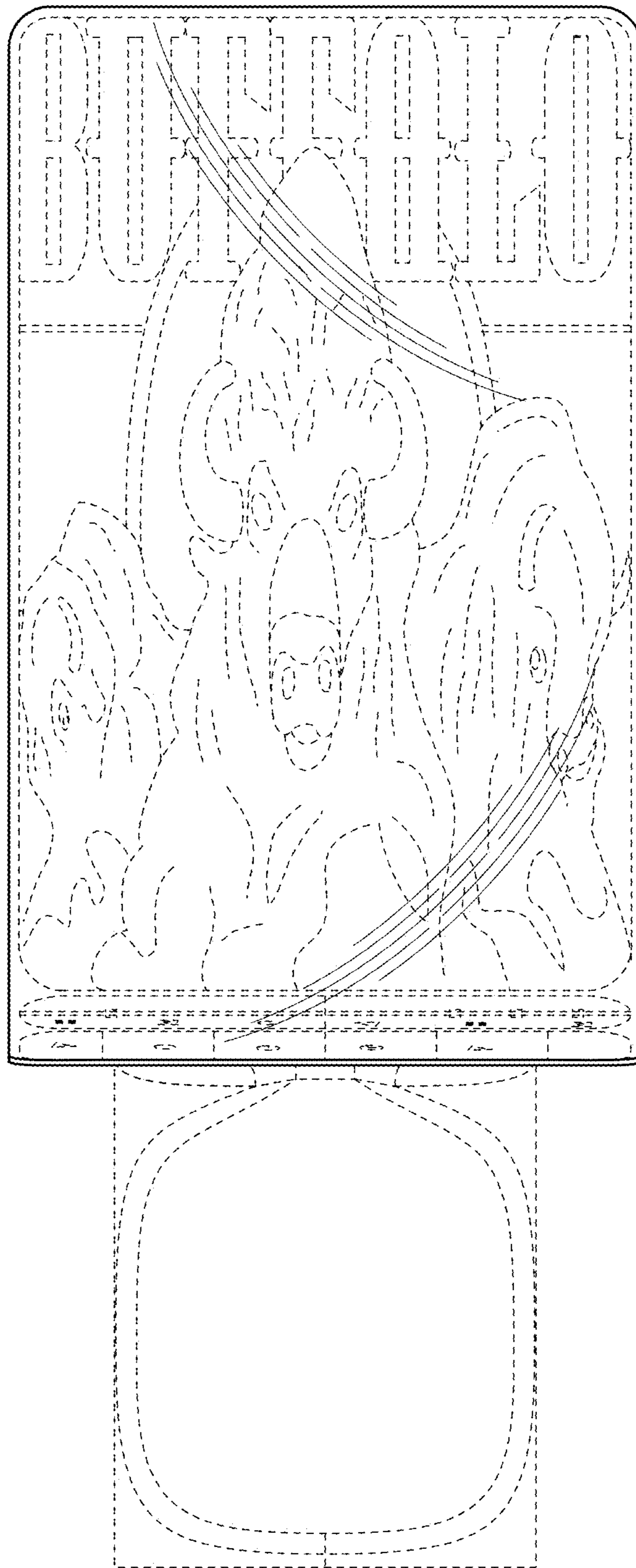


FIG. 2

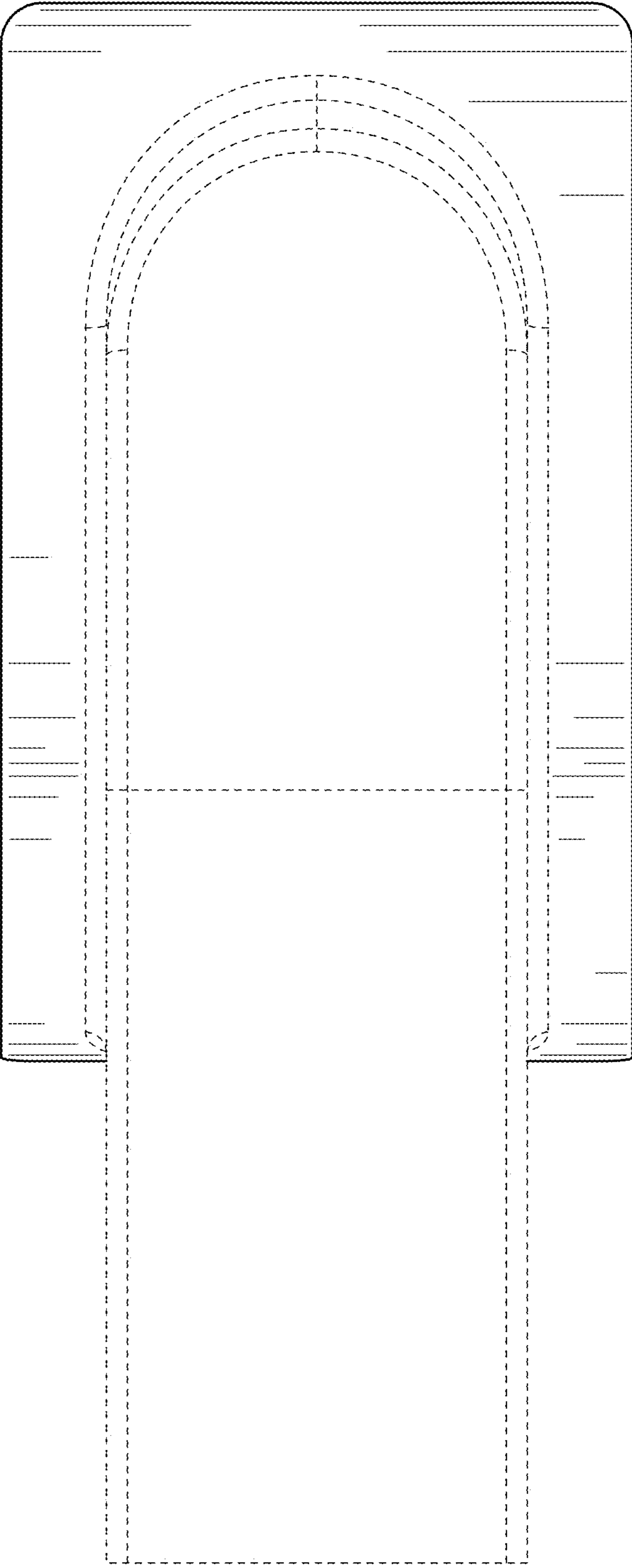


FIG. 3

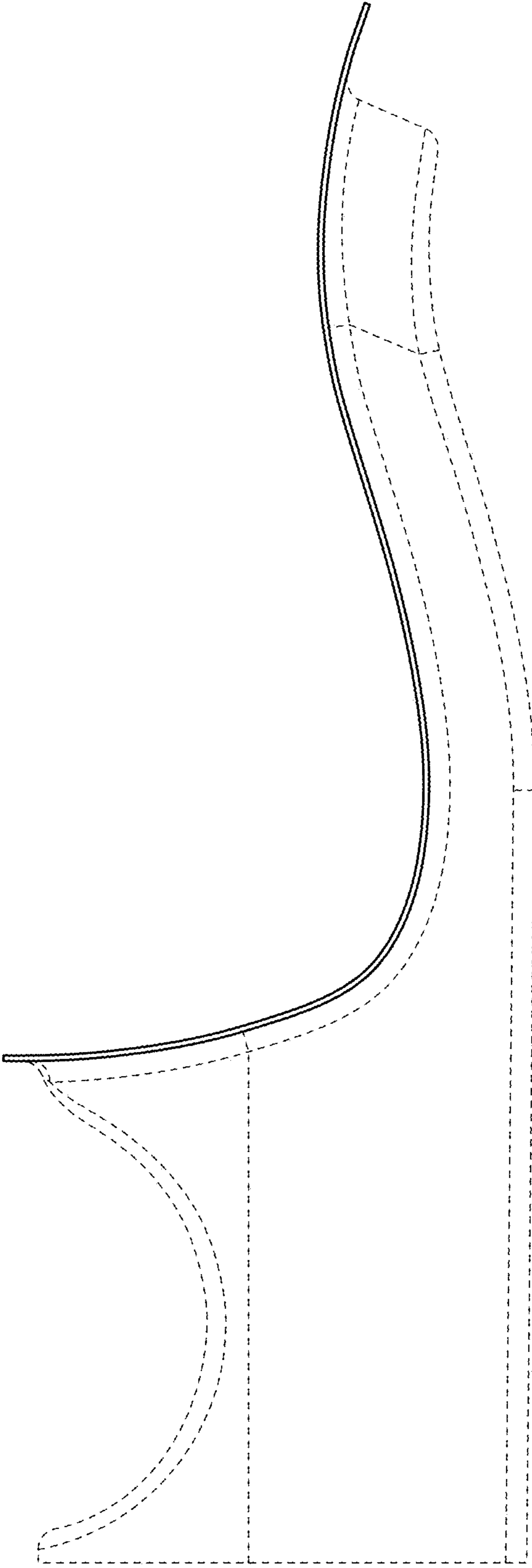


FIG. 4

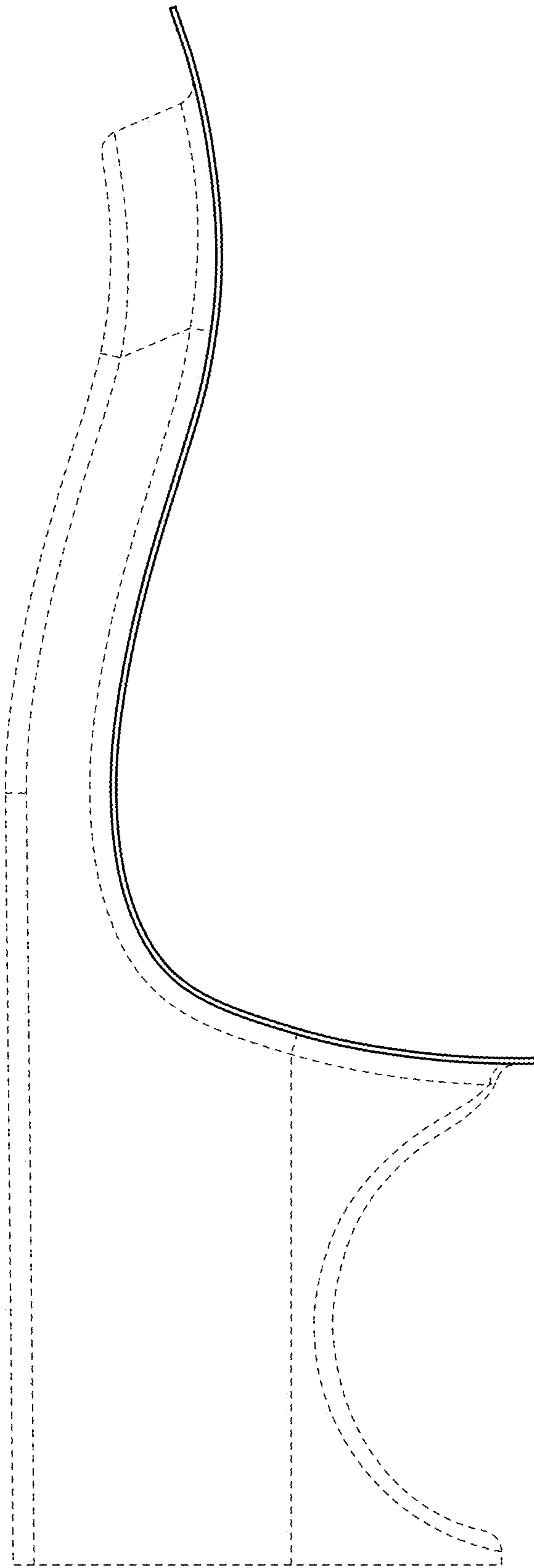


FIG. 5

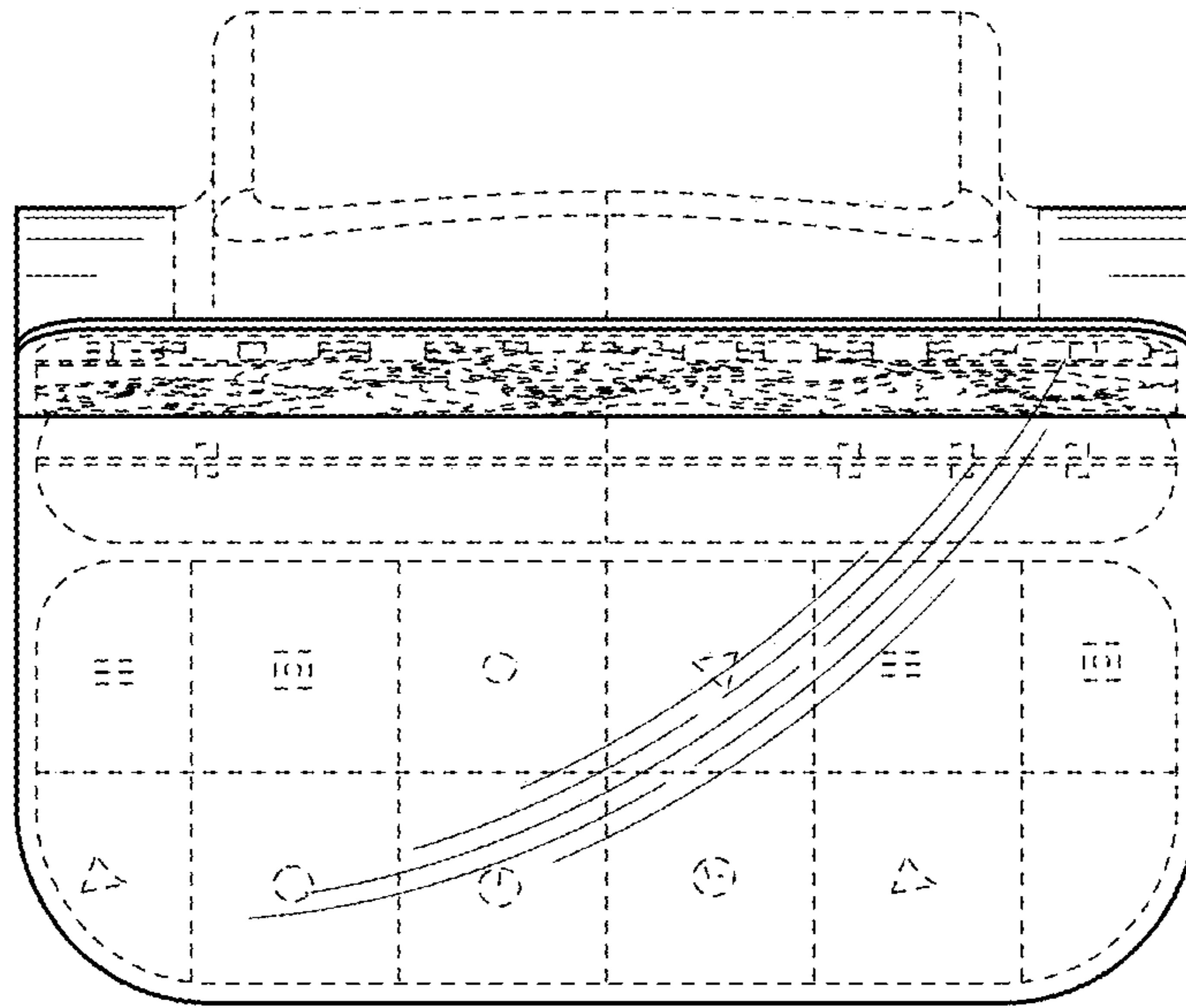


FIG. 6

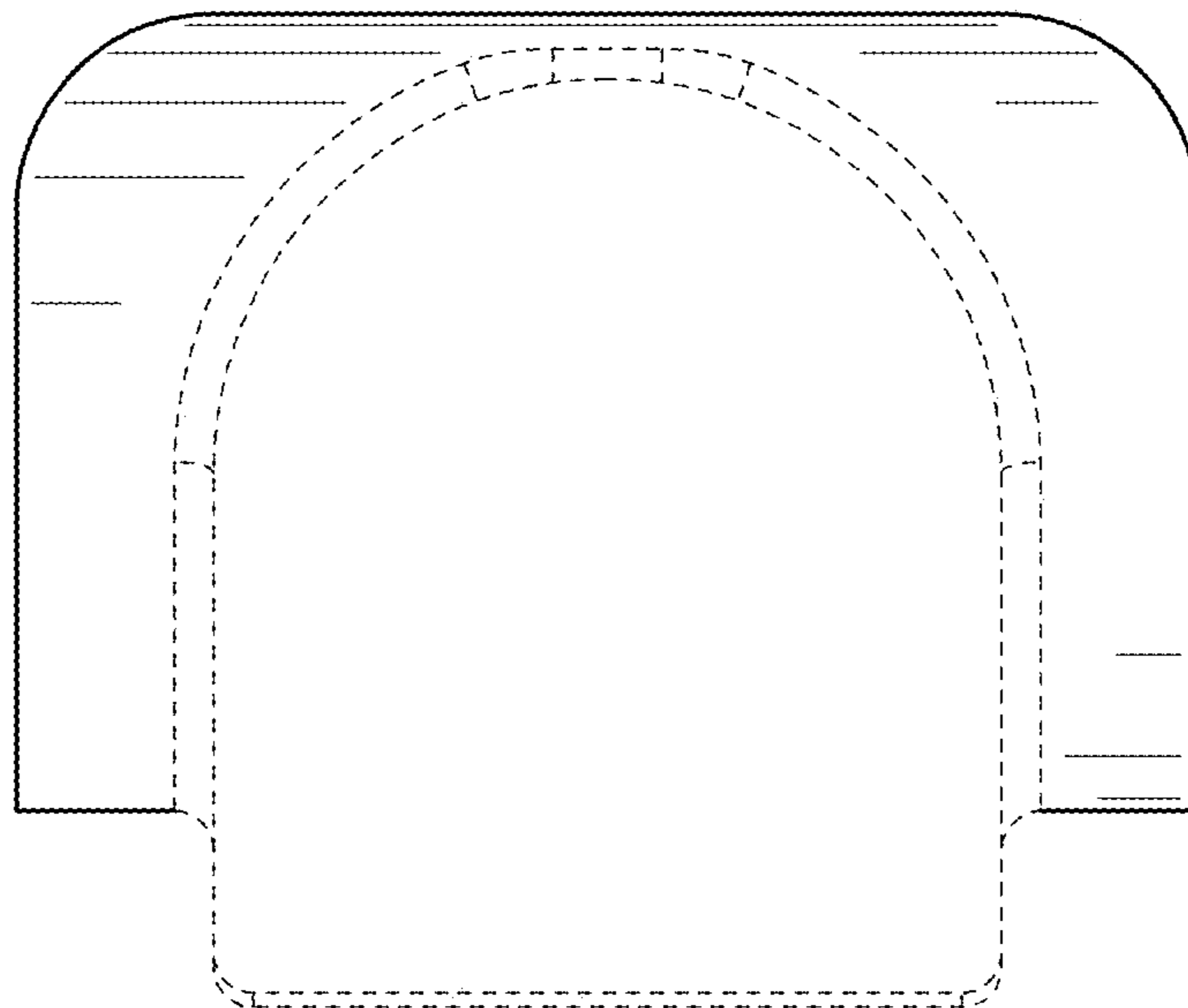


FIG. 7