



US00D880605S

(12) **United States Design Patent**
Bussey et al.

(10) **Patent No.:** **US D880,605 S**
(45) **Date of Patent:** **** Apr. 7, 2020**

- (54) **HEXAGONAL BANK OF GAMING MACHINES WITH TOPPER DISPLAY**
- (71) Applicant: **Everi Games Inc.**, Austin, TX (US)
- (72) Inventors: **Travis Bussey**, Austin, TX (US); **James Palermo**, Austin, TX (US); **Daniel Gibson**, Austin, TX (US); **Rick Perez**, Austin, TX (US)
- (73) Assignee: **Everi Games, Inc.**, Austin, TX (US)
- (**) Term: **15 Years**
- (21) Appl. No.: **29/618,475**
- (22) Filed: **Sep. 21, 2017**
- (51) **LOC (12) Cl.** **21-03**
- (52) **U.S. Cl.**
USPC **D21/369**
- (58) **Field of Classification Search**
USPC D21/369, 370, 371, 385, 329, 325, 394;
D14/307, 172, 129, 325, 401, 371, 126,
D14/439, 432, 450, 128, 375, 248, 374,
D14/341, 138 G, 127; 463/28, 13, 11,
463/16, 20, 25, 31, 46, 23, 30, 17, 36, 29,
463/42, 34, 32, 35, 19, 21, 22; 273/292,
273/203, 138.2, 143 R, 142 R, 138.1;
D19/60; D16/226; D8/335, 331, 334;
D26/141; D7/641
CPC G07F 17/32; G07F 17/34; G07F 17/3211;
G07F 17/3244; G07F 17/3267
See application file for complete search history.

- D439,282 S * 3/2001 Yamaguchi D21/329
- 6,572,204 B1 6/2003 Hedrick
- D548,802 S * 8/2007 Damjan D21/375
- D558,276 S * 12/2007 Damjan D21/375
- D572,770 S * 7/2008 Seelig D21/370
- 7,465,226 B2 * 12/2008 Ikeya G07F 17/32
463/16
- D591,800 S * 5/2009 Hsu D21/369
- D592,708 S * 5/2009 Hsu D21/369
- D597,144 S * 7/2009 Myers D21/370
- D613,343 S * 4/2010 Inoue D21/327
- 8,235,784 B2 * 8/2012 Christensen G07F 17/3244
463/16
- D673,621 S * 1/2013 Johnson D21/369
- D714,875 S * 10/2014 Wudtke D21/385
- D715,364 S * 10/2014 Wudtke D21/385

(Continued)

Primary Examiner — Ryan Harvey

(74) *Attorney, Agent, or Firm* — The Culbertson Group, P.C.; Russell D. Culbertson

(57) **CLAIM**

The ornamental design for a hexagonal bank of gaming machines with topper display, as shown and described.

DESCRIPTION

FIG. 1 is a perspective view from above of a hexagonal bank of gaming machines with topper display showing the new design.

FIG. 2 is a front elevational view of the hexagonal bank of gaming machines with topper display shown in FIG. 1, the rear elevational view being identical.

FIG. 3 is a left side elevational view of the hexagonal bank of gaming machines with topper display shown in FIG. 1, the right side elevational view being identical.

FIG. 4 is a top plan view of the hexagonal bank of gaming machines with topper display shown in FIG. 1; and,

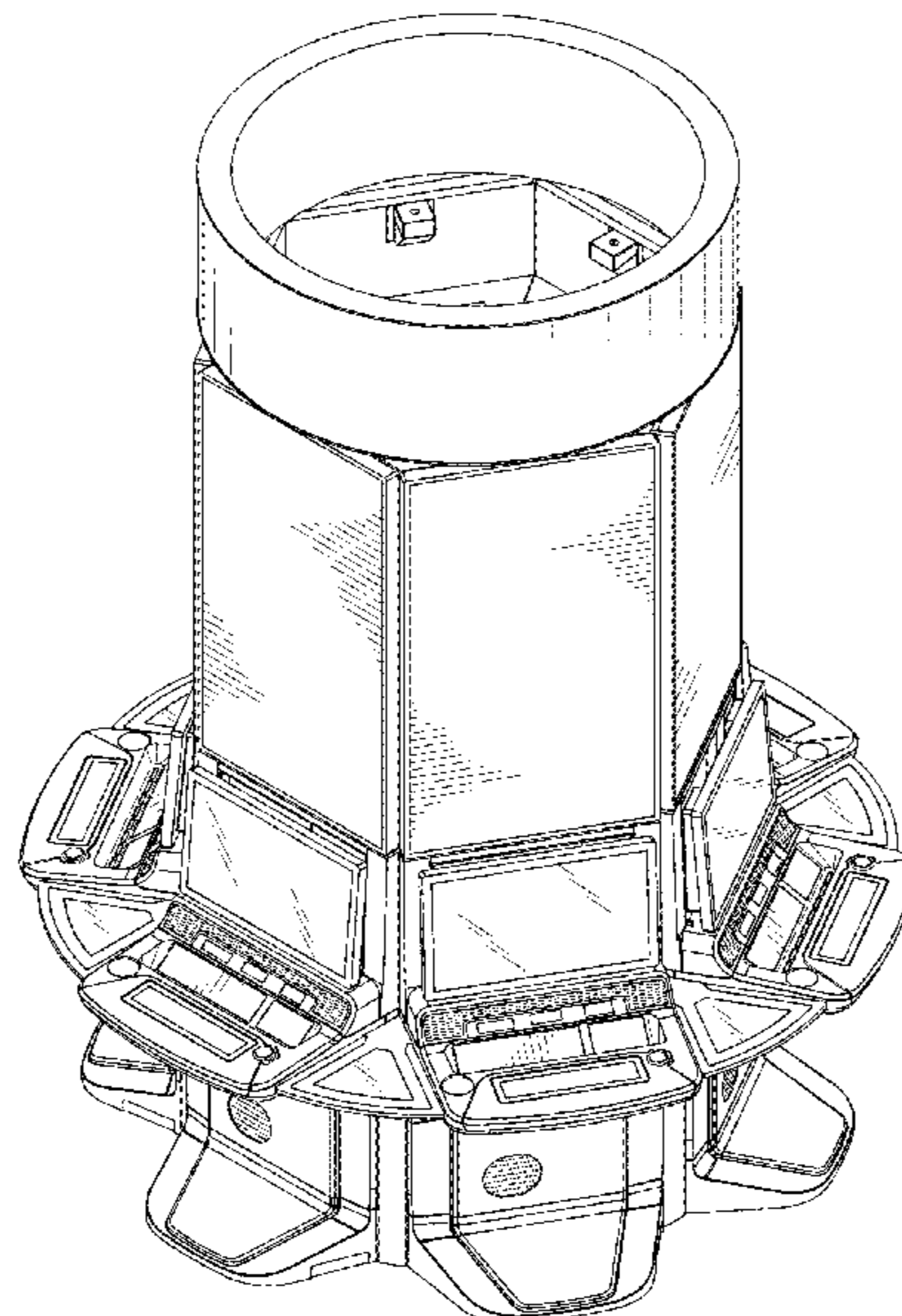
FIG. 5 is a bottom plan view of the hexagonal bank of gaming machines with topper display shown in FIG. 1.

1 Claim, 5 Drawing Sheets

(56) **References Cited**

U.S. PATENT DOCUMENTS

- 4,614,342 A 9/1986 Takashima
- 5,857,910 A * 1/1999 Watanabe A63F 3/081
273/138.2
- D415,211 S * 10/1999 Yamaguchi D21/327



(56)

References Cited

U.S. PATENT DOCUMENTS

D780,747 S * 3/2017 Sharp D14/329
D780,852 S * 3/2017 Sharp D14/203.7
9,704,337 B2 * 7/2017 Riggs G07F 17/3258
9,728,031 B2 * 8/2017 Schultz G07F 17/3272
D805,588 S * 12/2017 Sharp D21/329
D810,830 S * 2/2018 Sharp D21/329
D826,338 S * 8/2018 Bussey D21/369
D832,358 S * 10/2018 Castro D21/369
D834,652 S * 11/2018 Lee D21/369
D847,905 S * 5/2019 Lewis D21/369
D849,149 S * 5/2019 Bussey D21/369
D849,150 S * 5/2019 Gallagher D21/369
2006/0046821 A1 3/2006 Kaminkow
2015/0269808 A1 9/2015 Cornell
2018/0082523 A1 * 3/2018 Palermo G07F 17/3216
2019/0102974 A1 * 4/2019 Bussey G07F 17/3211
2019/0102984 A1 * 4/2019 Gallagher G07F 17/3216

* cited by examiner

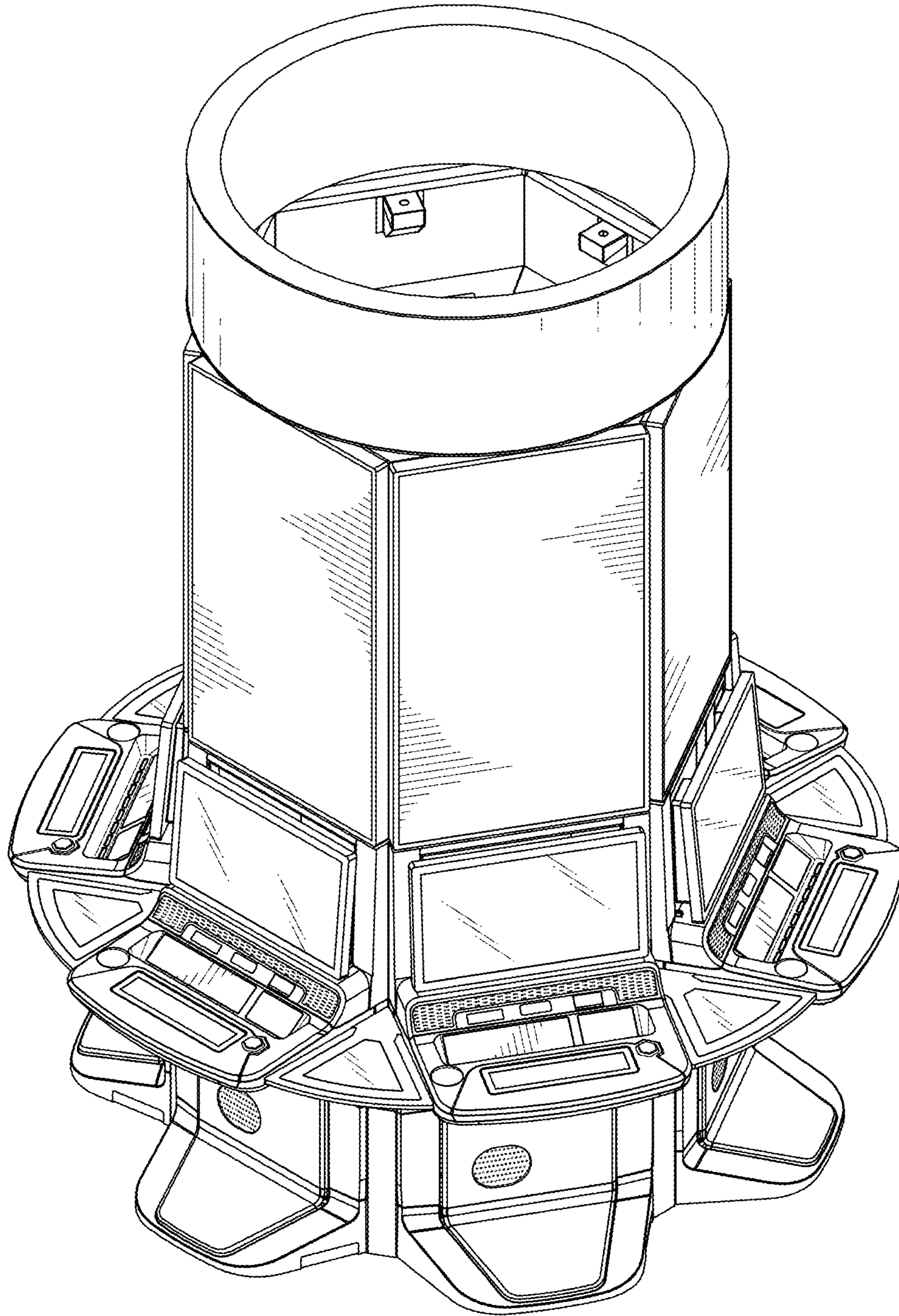


FIG. 1

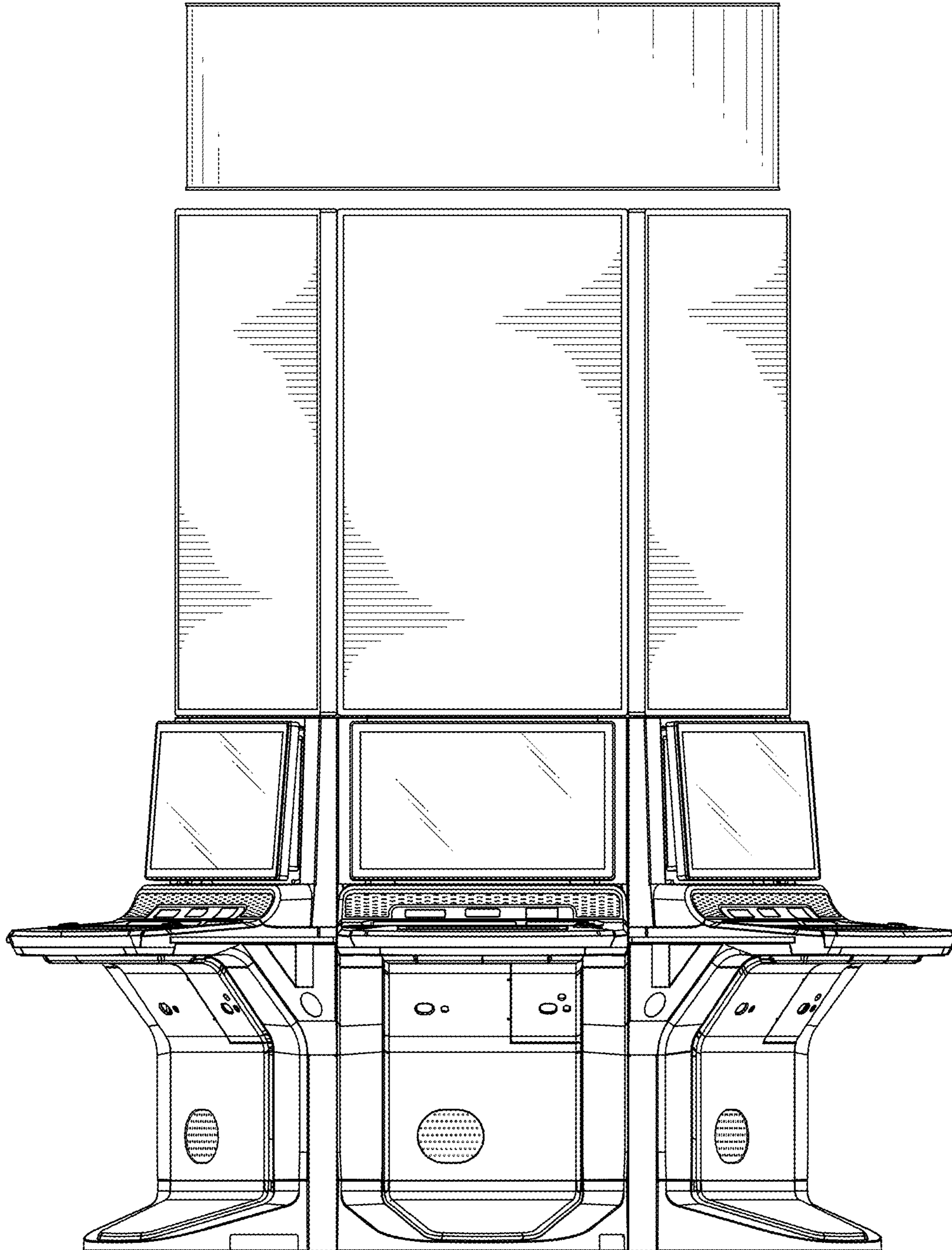


FIG. 2

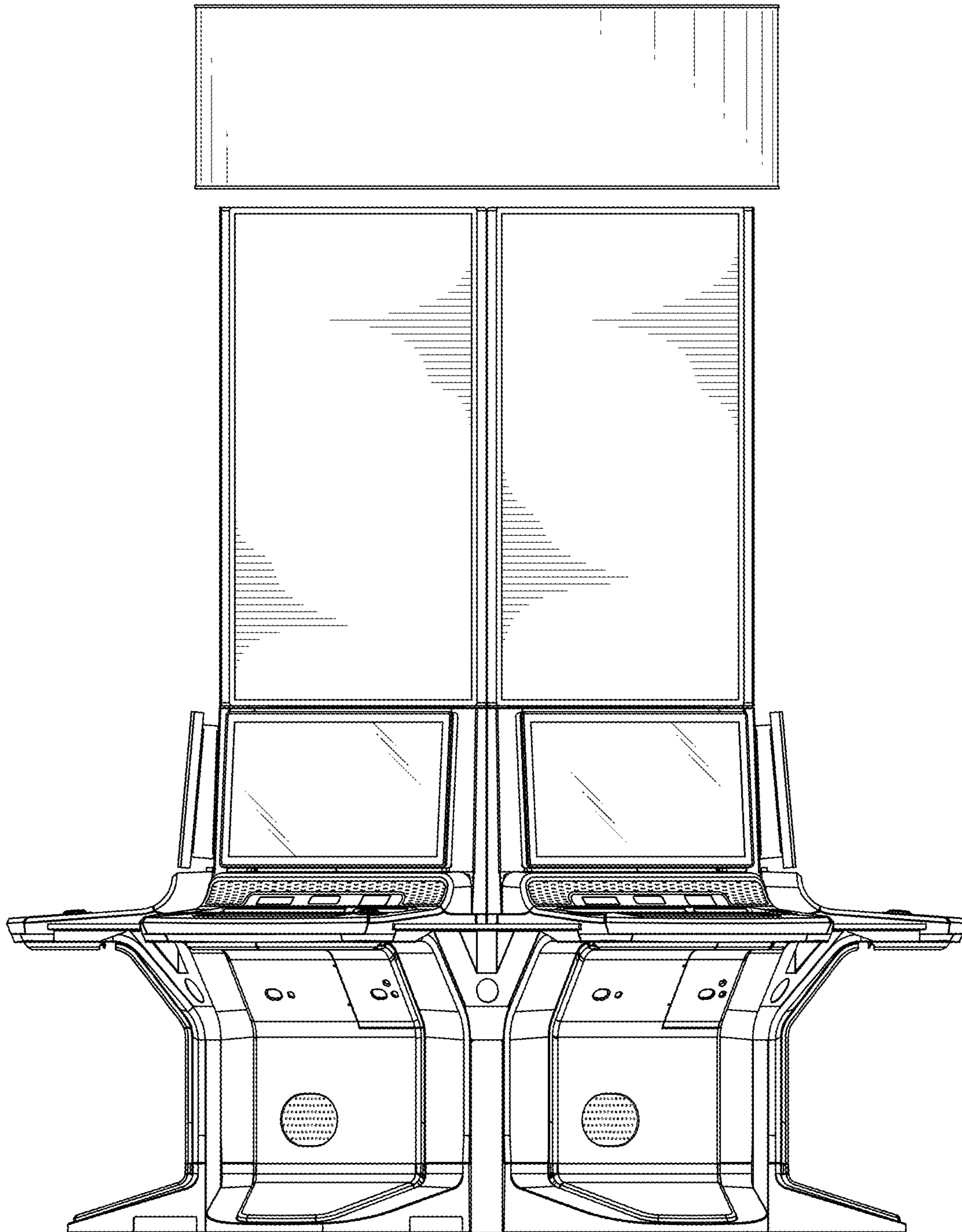


FIG. 3

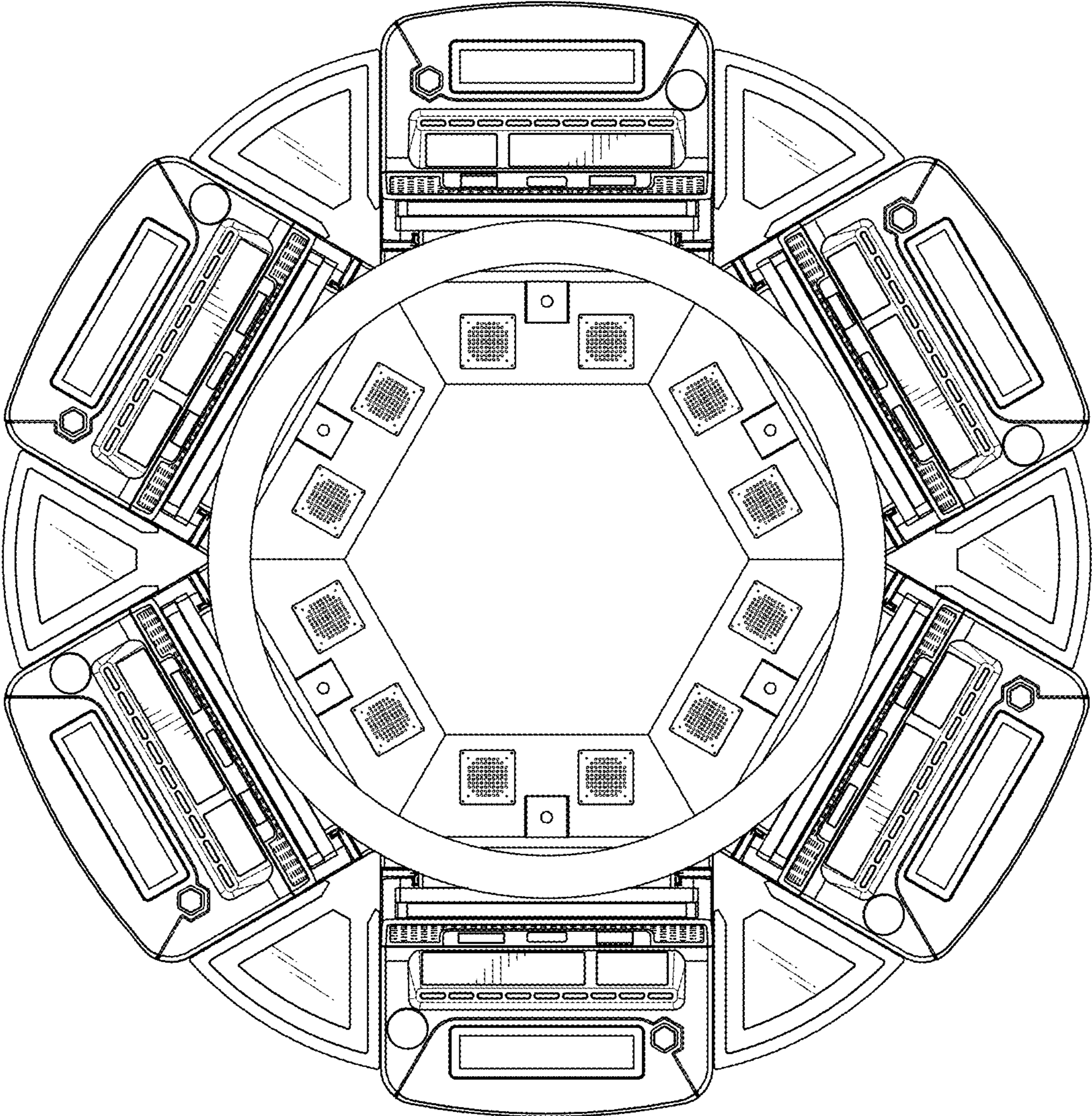


FIG.4

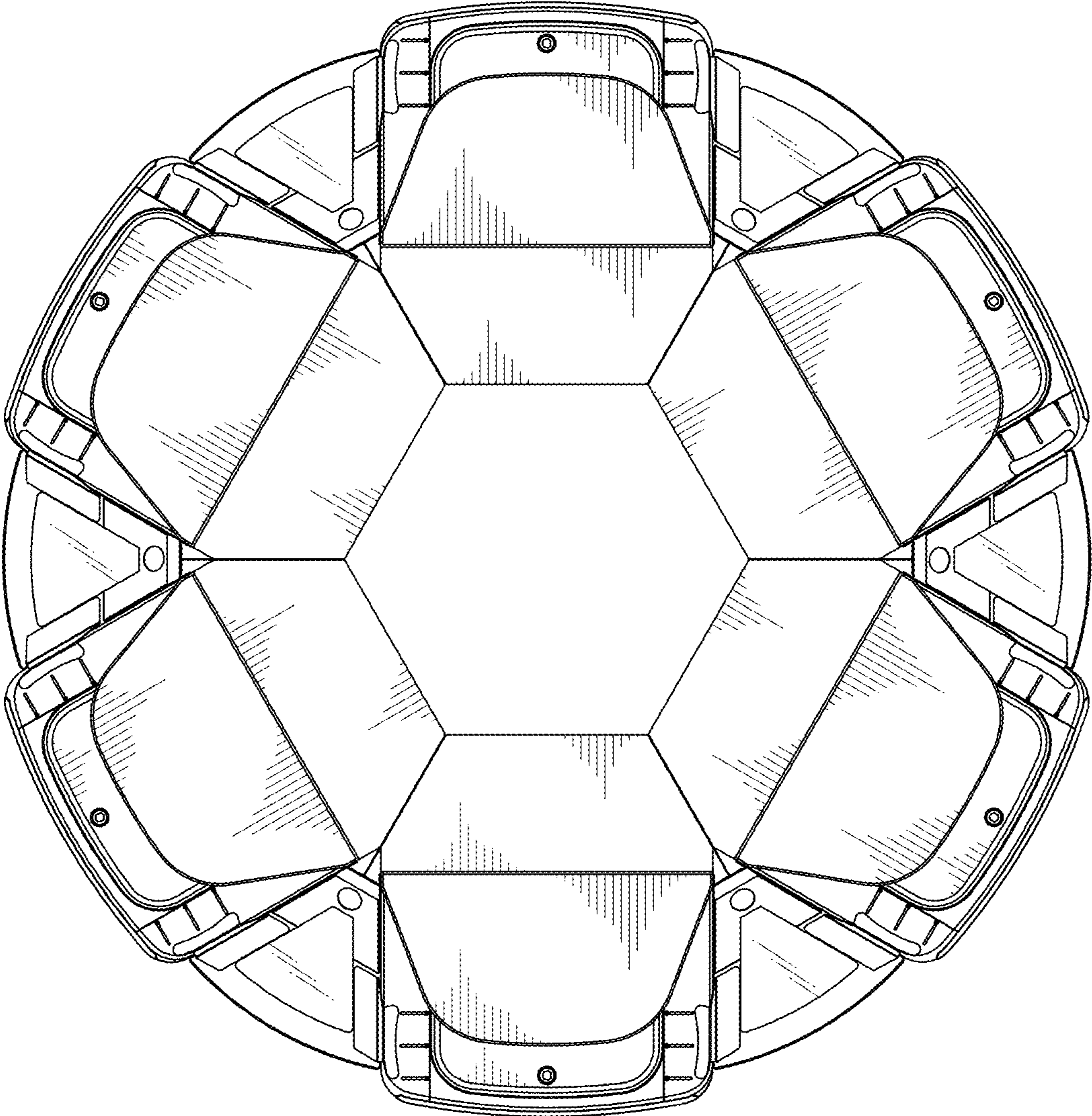


FIG. 5