



US00D880604S

(12) **United States Design Patent** (10) **Patent No.:** **US D880,604 S**
Olive et al. (45) **Date of Patent:** **** Apr. 7, 2020**

(54) **GAMING MACHINE**
(71) Applicant: **Aristocrat Technologies Australia Pty Limited**, North Ryde, NSW (AU)
(72) Inventors: **Scott Olive**, Sydney (AU); **Scott Hendrickson**, Las Vegas, NV (US)
(73) Assignee: **Aristocrat Technologies Australia Pty Limited**, North Ryde (AU)
(**) Term: **15 Years**
(21) Appl. No.: **29/617,845**
(22) Filed: **Sep. 15, 2017**
(51) **LOC (12) Cl.** **21-03**
(52) **U.S. Cl.**
USPC **D21/369**
(58) **Field of Classification Search**
USPC D21/369, 370, 371, 385, 329, 325, 394;
D14/307, 172, 129, 325, 401, 371, 126,
D14/439, 432, 450, 128, 375, 248, 374,
D14/341, 138 G, 127; 463/28, 13, 11,
463/16, 20, 25, 31, 46, 23, 30, 17, 36, 29,
463/42, 34, 32, 35, 19, 21, 22; 273/292,
273/203, 138.2, 143 R, 142 R, 138.1;
D19/60; D16/226; D8/335, 331, 334;
D26/141; D7/641
CPC G07F 17/32; G07F 17/34; G07F 17/3211;
G07F 17/3244; G07F 17/3267
See application file for complete search history.

D443,313 S * 6/2001 Brettschneider D21/325
D481,078 S * 10/2003 Stephan D21/369
D492,676 S * 7/2004 Monson D14/306
D508,269 S * 8/2005 Wichinsky D21/325
D508,719 S * 8/2005 de Haas D21/325
D546,893 S * 7/2007 Yamashita D21/325
D557,348 S * 12/2007 Gutknecht D21/370
D586,866 S * 2/2009 Hsu D21/370
D596,678 S * 7/2009 Myers D21/370
D599,859 S * 9/2009 Lesley D21/370
D616,039 S * 5/2010 Bruzzese D21/370
D619,177 S * 7/2010 Lee D21/325
D619,660 S * 7/2010 Cole D21/370
D626,182 S * 10/2010 Cole D21/369
D626,183 S * 10/2010 Cole D21/370
D632,342 S * 2/2011 Wen D21/370
8,096,554 B1 * 1/2012 Kelly A63F 7/02
273/138.1
D673,621 S * 1/2013 Johnson D21/369
D685,435 S * 7/2013 Hohman D21/370
D697,558 S * 1/2014 Myers D21/325

(Continued)

Primary Examiner — Ryan Harvey
(74) *Attorney, Agent, or Firm* — McAndrews, Held & Malloy, Ltd.

(57) **CLAIM**

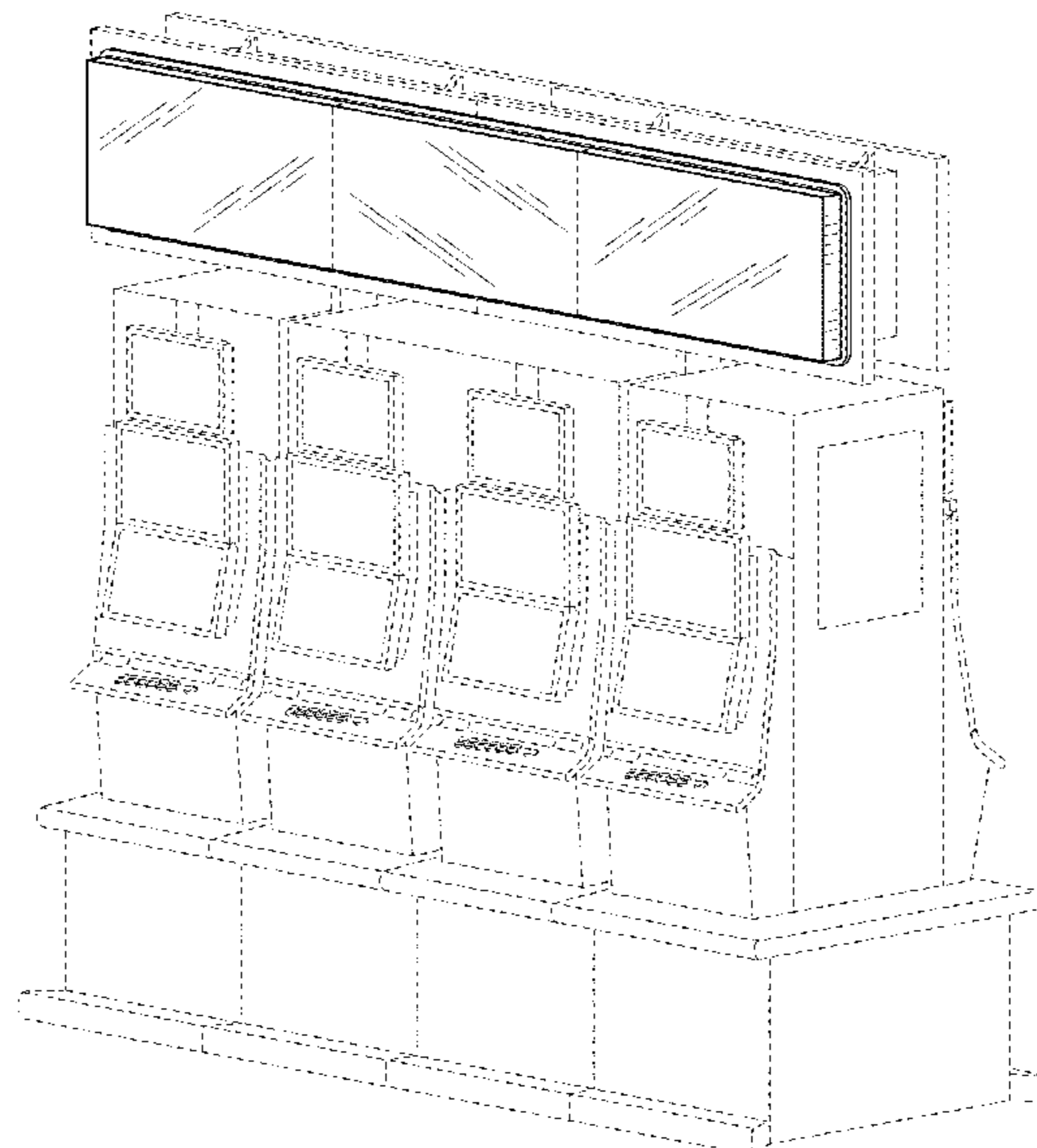
The ornamental design for a gaming machine, as shown and described.

DESCRIPTION

FIG. 1 is a front perspective view of a gaming machine showing our new design;
FIG. 2 is a front elevation view thereof;
FIG. 3 is a rear elevation view thereof;
FIG. 4 is a right side elevation view thereof;
FIG. 5 is a left side elevation view thereof;
FIG. 6 is a top plan view thereof; and,
FIG. 7 is a bottom plan view thereof.
The broken lines in the drawings illustrate portions of the gaming machine that form no part of the claimed design.

1 Claim, 7 Drawing Sheets

(56) **References Cited**
U.S. PATENT DOCUMENTS
D271,200 S * 11/1983 Kawasaki D3/271.1
D275,117 S * 8/1984 Heywood D21/370
5,823,874 A * 10/1998 Adams G07F 17/32
463/17
D428,864 S * 8/2000 Rooyakkers D14/306



(56)

References Cited

U.S. PATENT DOCUMENTS

D705,872 S *	5/2014	Ortiz	D21/370	D833,534 S *	11/2018	Lee	D21/369
8,753,202 B2 *	6/2014	Apirian	G07F 17/34	D836,164 S *	12/2018	Castro	D21/369
				463/31	D843,464 S *	3/2019	Castro	D21/369
D708,676 S *	7/2014	Ballman	D14/307	D843,465 S *	3/2019	Castro	D21/369
D720,710 S *	1/2015	Aarrestad	D14/127	D843,466 S *	3/2019	Castro	D21/369
D721,767 S *	1/2015	Ferrazoli	D21/370	D846,649 S *	4/2019	Schoonmaker	D21/369
D740,888 S *	10/2015	DePalma	D21/370	10,297,103 B2 *	5/2019	Hornik	G07F 17/3213
D743,363 S *	11/2015	Yokota	D14/126	10,354,494 B2 *	7/2019	Hartl	G07F 17/3267
D752,573 S *	3/2016	Ballman	D14/307	2005/0014547 A1 *	1/2005	Gomez	G07F 17/3202
D760,846 S *	7/2016	Castro	D21/370					463/16
D776,666 S *	1/2017	Karlsson	D14/432	2009/0253500 A1 *	10/2009	Nagano	G07F 17/3211
9,659,434 B2 *	5/2017	Bainbridge	G07F 17/3218					463/30
9,679,435 B2 *	6/2017	Schrementi	G07F 17/3213	2009/0253514 A1 *	10/2009	Nagano	G07F 17/32
9,747,754 B2 *	8/2017	Carpenter	G07F 17/3286					463/42
D803,323 S *	11/2017	Bussey	D21/369	2010/0124973 A1 *	5/2010	DeWaal	G07F 17/3244
D803,324 S *	11/2017	Bussey	D21/370					463/20
D809,068 S *	1/2018	Ballman	D21/369	2012/0083331 A1 *	4/2012	Carpenter	G07F 17/3286
D809,069 S *	1/2018	Ballman	D21/369					463/25
D818,048 S *	5/2018	Calhoun	D21/369	2019/0096169 A1 *	3/2019	Tovar	G07F 17/3216
D832,358 S *	10/2018	Castro	D21/369	2019/0102971 A1 *	4/2019	Schoonmaker	G07F 17/3211
					2019/0102983 A1 *	4/2019	Gallagher	G07F 17/3216
					2019/0287337 A1 *	9/2019	Shiraishi	G07F 17/3244

* cited by examiner

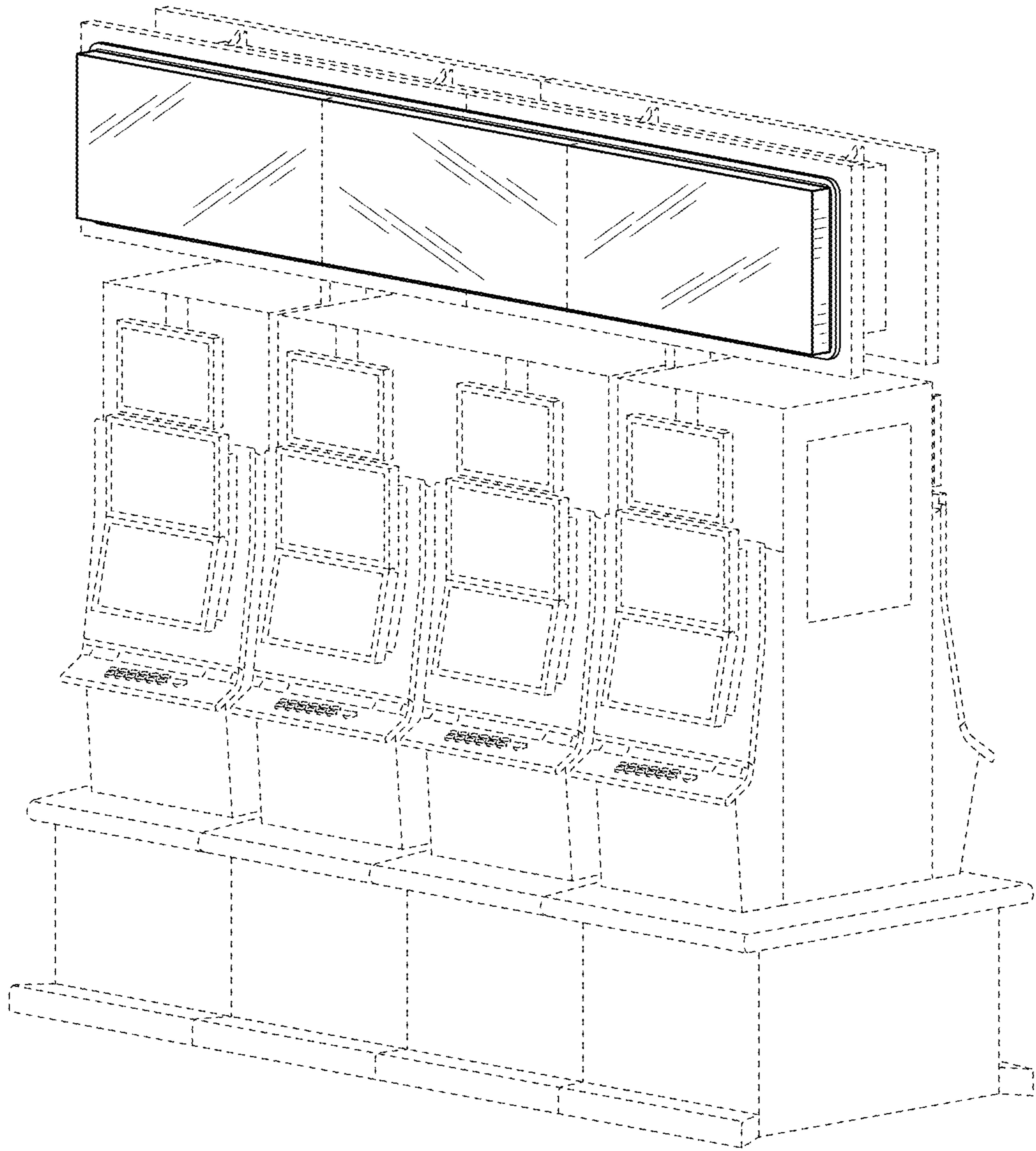


FIG. 1

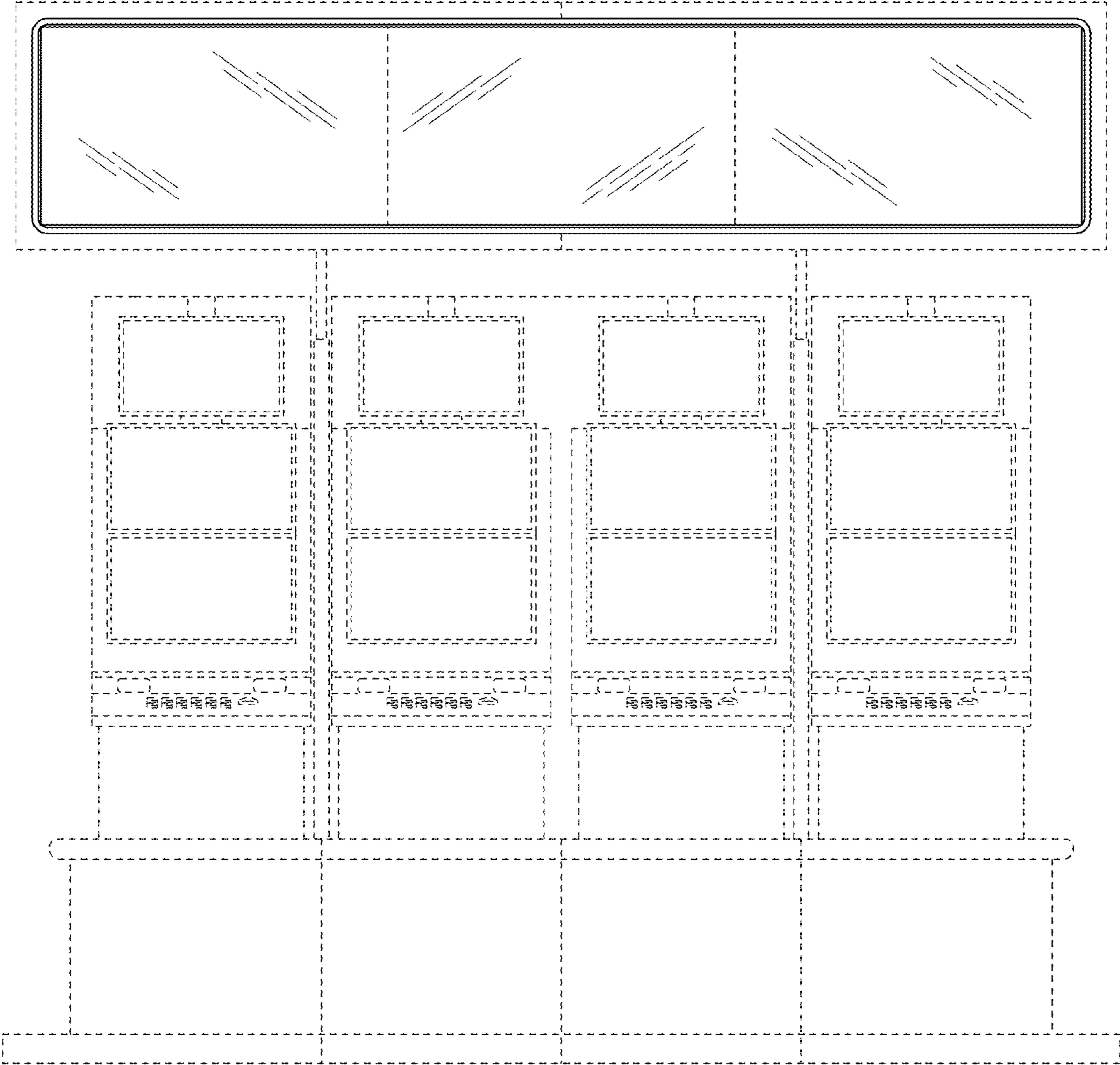


FIG. 2

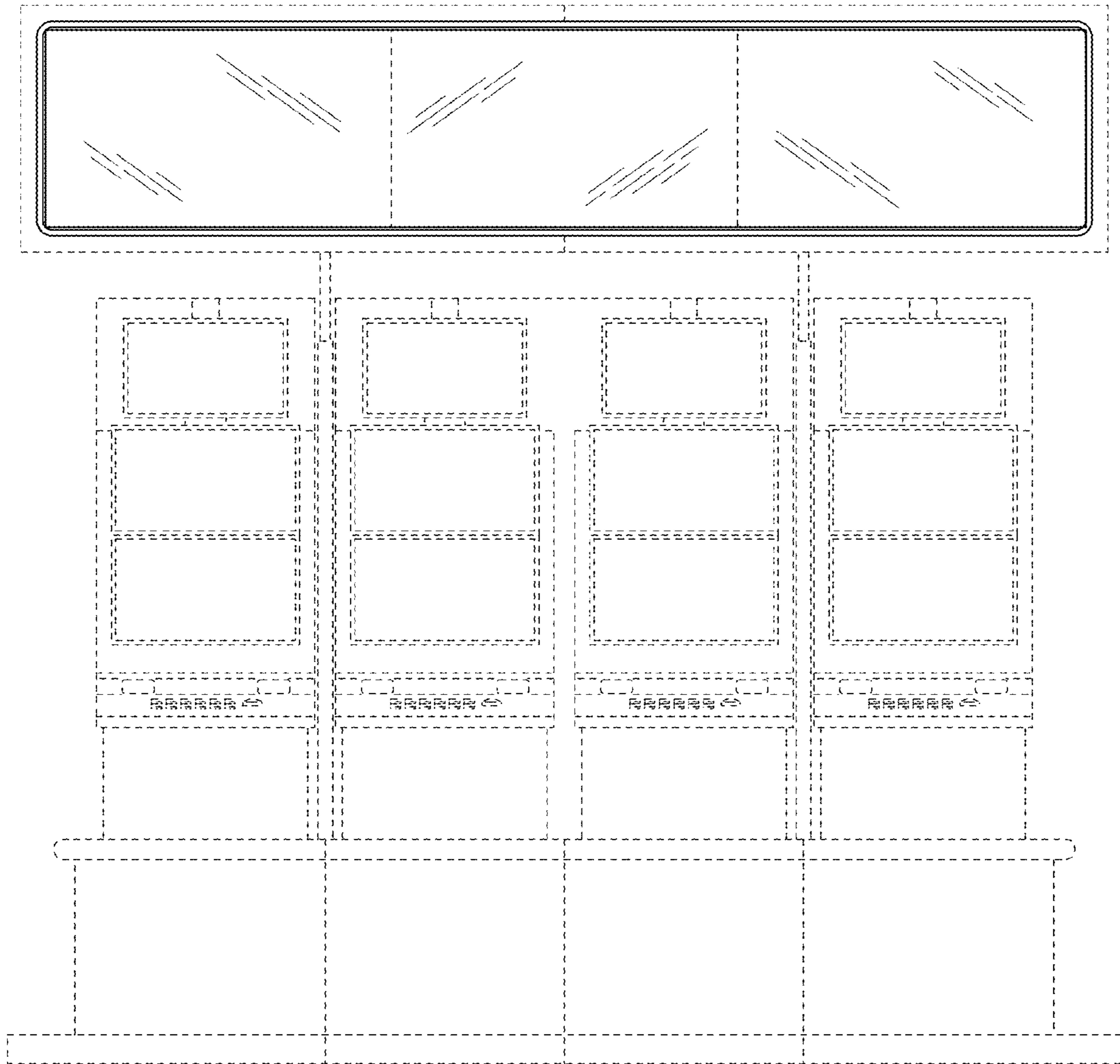


FIG. 3

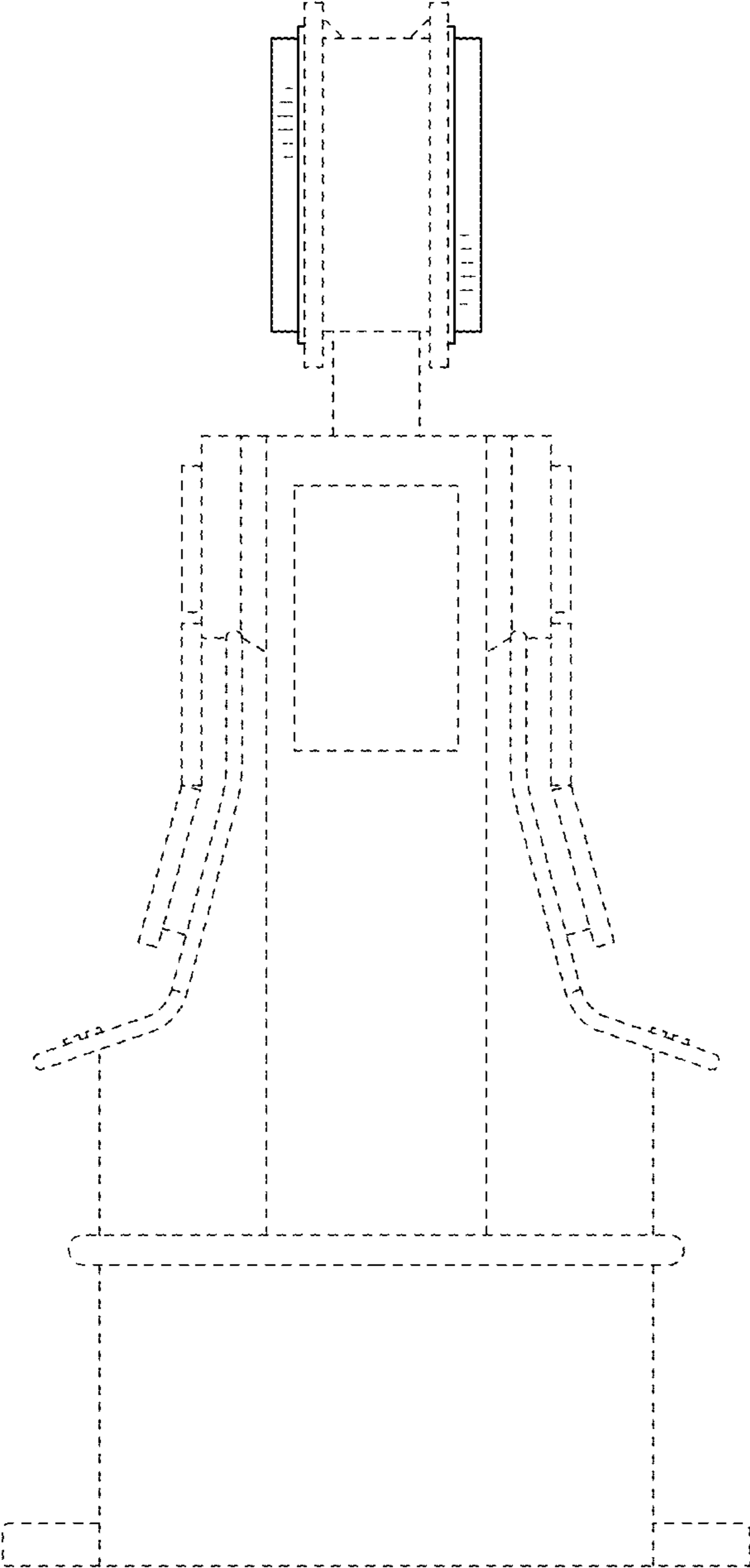


FIG. 4

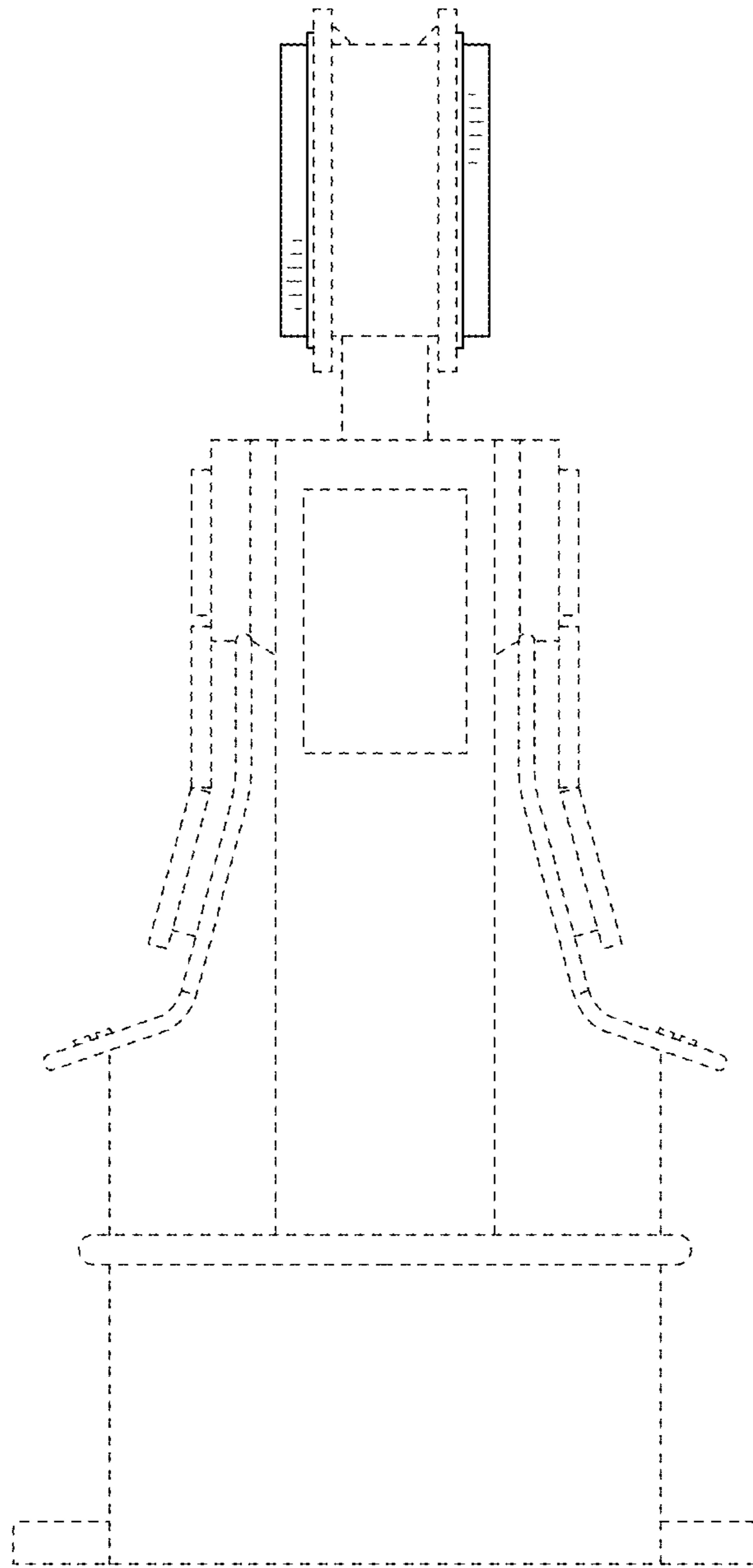


FIG. 5

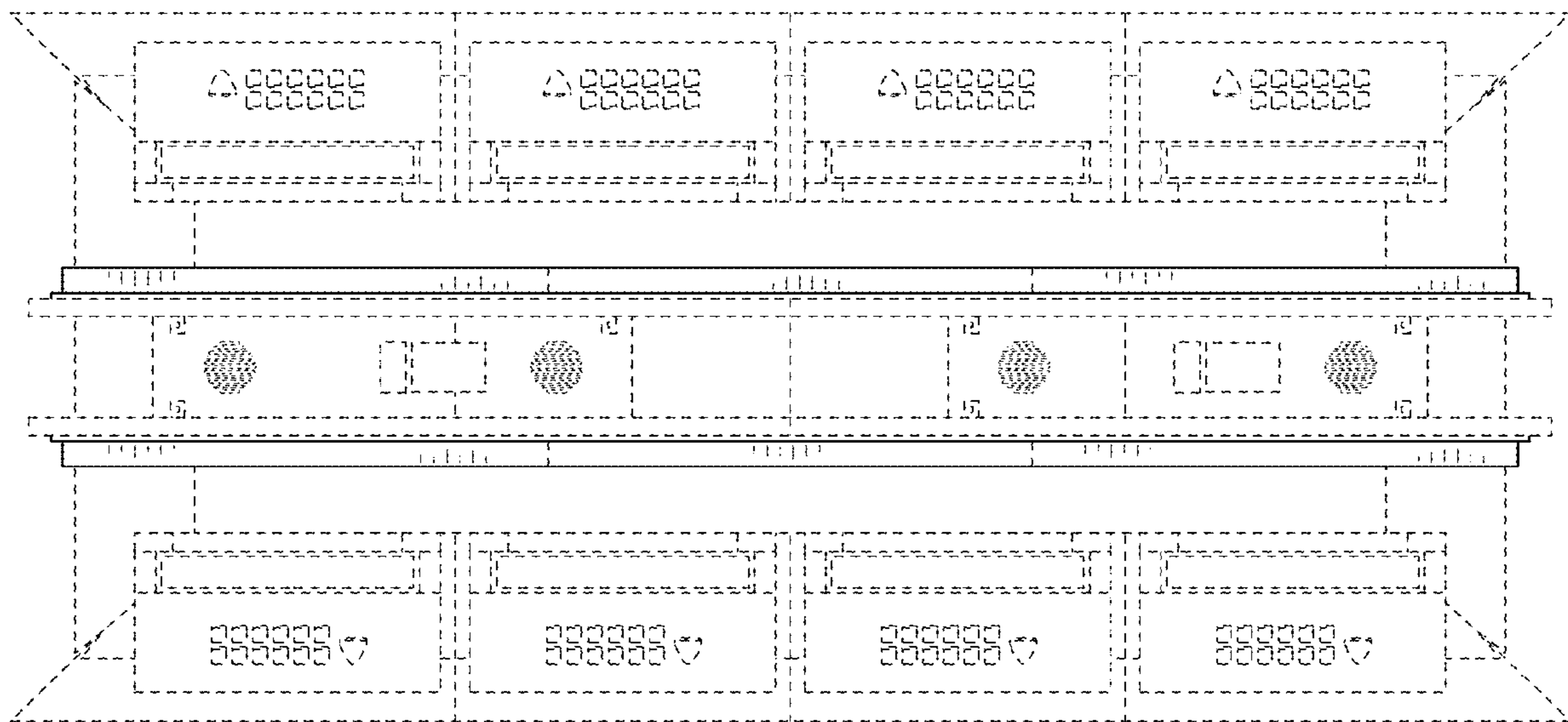


FIG. 6



FIG. 7