



US00D880602S

(12) **United States Design Patent**
Ehara et al.

(10) **Patent No.:** **US D880,602 S**
(45) **Date of Patent:** **** Apr. 7, 2020**

- (54) **CONTROLLER FOR COMPUTER**
- (71) Applicant: **NINTENDO CO., LTD.**, Kyoto (JP)
- (72) Inventors: **Yui Ehara**, Kyoto (JP); **Yuko Zenri**, Kyoto (JP); **Junichiro Miyatake**, Kyoto (JP); **Tetsuya Akama**, Kyoto (JP); **Hitoshi Tsuchiya**, Kyoto (JP)
- (73) Assignee: **Nintendo Co., Ltd.**, Kyoto (JP)
- (**) Term: **15 Years**
- (21) Appl. No.: **29/646,019**
- (22) Filed: **May 1, 2018**

D14/401, 415, 418, 426–431, 443, 447, D14/449, 450, 454, 455, 471, 474, 483, D14/496, 511; D13/164–168
 CPC .. A63F 13/00; A63F 13/02; A63F 9/00; A63F 9/24; A63F 13/06; A63F 13/98; A63F 9/0291; G09G 9/00
 See application file for complete search history.

(56) **References Cited**

U.S. PATENT DOCUMENTS

- D360,235 S 7/1995 Emrys-Roberts
 - 5,643,087 A 7/1997 Marcus
 - 5,645,277 A 7/1997 Cheng
 - 5,769,719 A 6/1998 Hsu
 - 5,785,317 A 7/1998 Sasaki
- (Continued)

Related U.S. Application Data

- (62) Division of application No. 29/595,220, filed on Feb. 27, 2017, now Pat. No. Des. 819,642.

(30) **Foreign Application Priority Data**

- Aug. 30, 2016 (JP) 2016-018391
- Aug. 30, 2016 (JP) 2016-018392
- Aug. 30, 2016 (JP) 2016-018393
- Aug. 30, 2016 (JP) 2016-018394
- Aug. 30, 2016 (JP) 2016-018395
- Aug. 30, 2016 (JP) 2016-018396
- Aug. 30, 2016 (JP) 2016-018398
- Aug. 30, 2016 (JP) 2016-018399
- Aug. 30, 2016 (JP) 2016-018400
- Aug. 30, 2016 (JP) 20160-18397
- Aug. 31, 2016 (JP) 2016-018644
- Oct. 19, 2016 (JP) 2016-022699

- (51) **LOC (12) Cl.** **21-01**
- (52) **U.S. Cl.**
USPC **D21/333**
- (58) **Field of Classification Search**
USPC D21/324, 332–337, 566, 572–574, 328;
D14/217, 218, 356, 387, 388, 389, 400,

OTHER PUBLICATIONS

- U.S. Appl. No. 29/595,220, filed Feb. 27, 2017, Ehara et al.
(Continued)

Primary Examiner — Sandra S Snapp
Assistant Examiner — Mehri F Bajoul
 (74) *Attorney, Agent, or Firm* — Nixon & Vanderhye PC

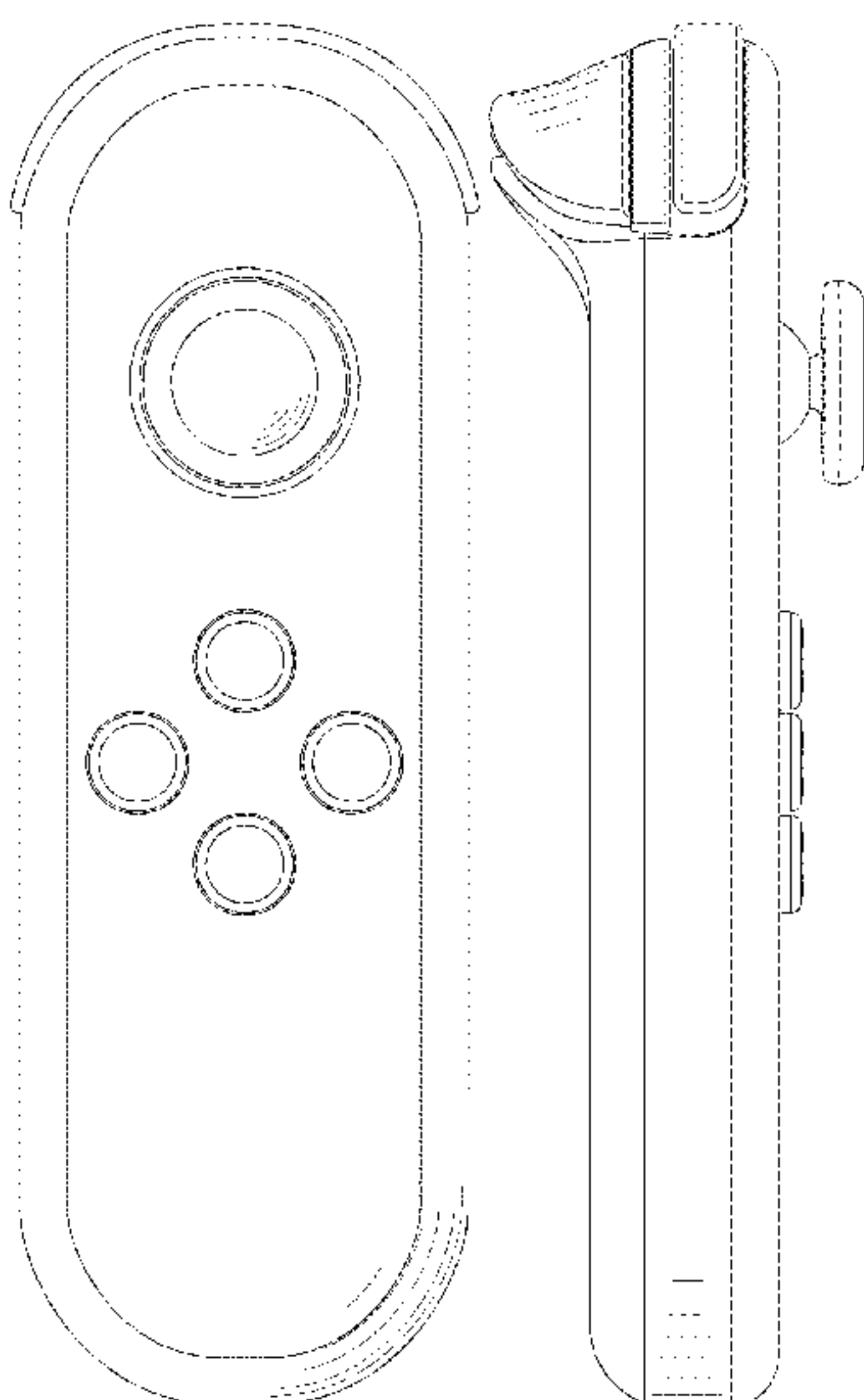
(57) **CLAIM**

The ornamental design for a controller for computer, as shown and described.

DESCRIPTION

FIG. 1 is a front view of a controller for computer showing our new design;
 FIG. 2 is a back view thereof;
 FIG. 3 is a top view thereof;
 FIG. 4 is a bottom view thereof;
 FIG. 5 is a right view thereof; and,
 FIG. 6 is a left view thereof.
 The broken lines depict portions of the controller for computer that form no part of the claimed design.

1 Claim, 6 Drawing Sheets



(56)

References Cited

U.S. PATENT DOCUMENTS

D420,006 S * 2/2000 Tonino D14/218
 D473,942 S * 4/2003 Motoki D24/137
 D556,760 S * 12/2007 Ashida D14/412
 D568,883 S 5/2008 Ashida
 D569,814 S * 5/2008 Ikeda D13/168
 D587,713 S * 3/2009 Sutton D14/412
 D594,066 S * 6/2009 Oikawa D14/412
 D611,477 S * 3/2010 Brunner D14/412
 D620,939 S * 8/2010 Suetake D14/401
 D626,517 S * 11/2010 Yano D13/168
 D638,841 S * 5/2011 Musick, Jr. D14/412
 D697,057 S * 1/2014 Kwon D14/218
 D697,140 S 1/2014 Baum
 D702,771 S 4/2014 Mar
 D719,614 S 12/2014 Baum
 D740,369 S * 10/2015 Cho D21/333
 D768,785 S 10/2016 Kim
 D769,374 S 10/2016 Won
 D776,091 S * 1/2017 Spio D14/218
 D783,722 S 4/2017 Peng
 D797,743 S * 9/2017 Awad D14/412
 D813,203 S * 3/2018 Hardi D14/218

D819,641 S * 6/2018 Tsuchiya D14/401
 D828,337 S * 9/2018 Li D14/218
 D844,608 S * 4/2019 Chen D14/388
 D846,527 S 4/2019 Lamb
 D846,530 S 4/2019 Pellattiero
 D847,815 S 5/2019 Pang
 D848,424 S 5/2019 Kujawski
 D849,145 S 5/2019 Kuoch
 D850,413 S 6/2019 Tu
 D851,631 S 6/2019 Einaudi
 D853,384 S 7/2019 Fulghum
 D854,619 S 7/2019 Konishi

OTHER PUBLICATIONS

U.S. Appl. No. 29/636,375, filed Feb. 8, 2018, Ehara et al.
 U.S. Appl. No. 29/641,433, filed Mar. 22, 2018, Ehara et al.
 U.S. Appl. No. 29/646,010, filed May 1, 2018, Ehara et al.
 U.S. Appl. No. 29/646,013, filed May 1, 2018, Ehara et al.
 U.S. Appl. No. 29/646,022, filed May 1, 2018, Ehara et al.
 U.S. Appl. No. 29/646,026, filed May 1, 2018, Ehara et al.
 U.S. Appl. No. 29/646,035, filed May 1, 2018, Ehara et al.
 U.S. Appl. No. 29/646,038, filed May 1, 2018, Ehara et al.

* cited by examiner

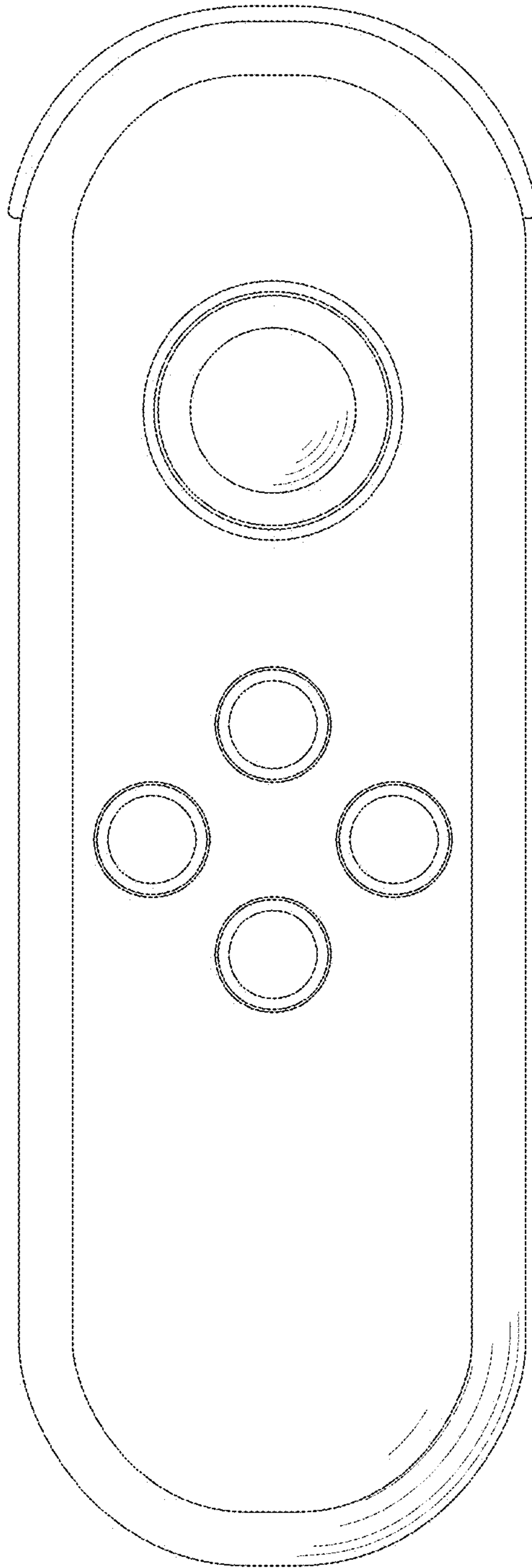


Fig.1

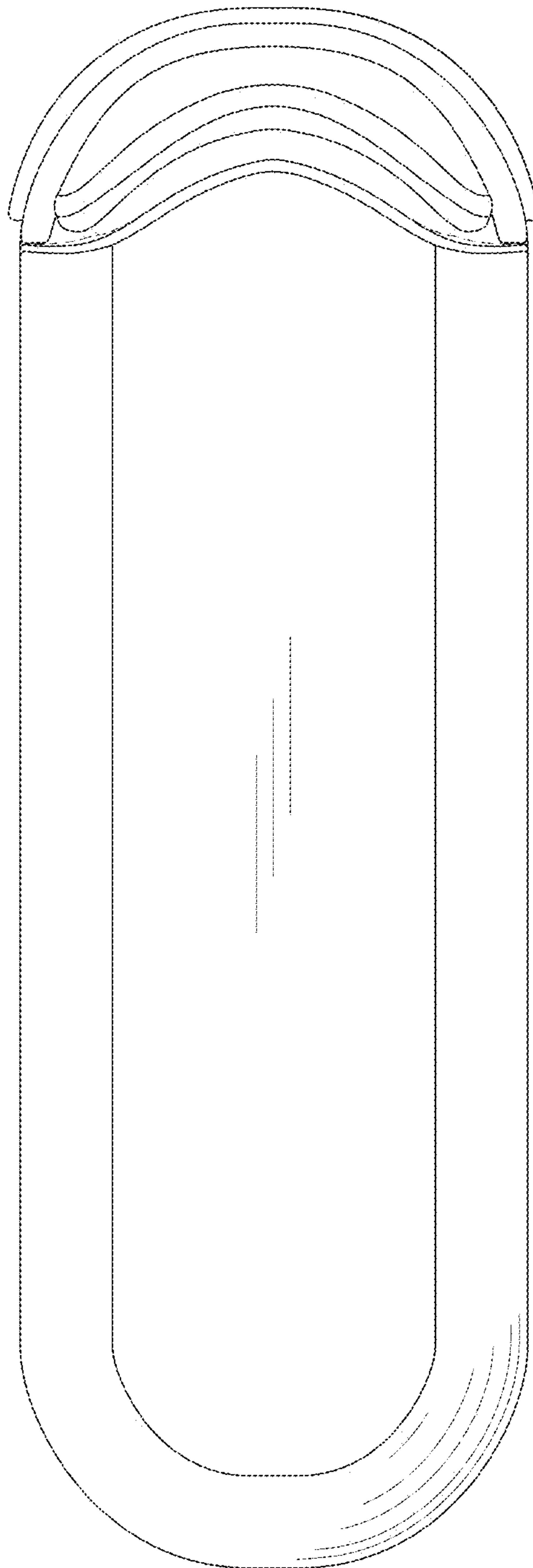


Fig. 2

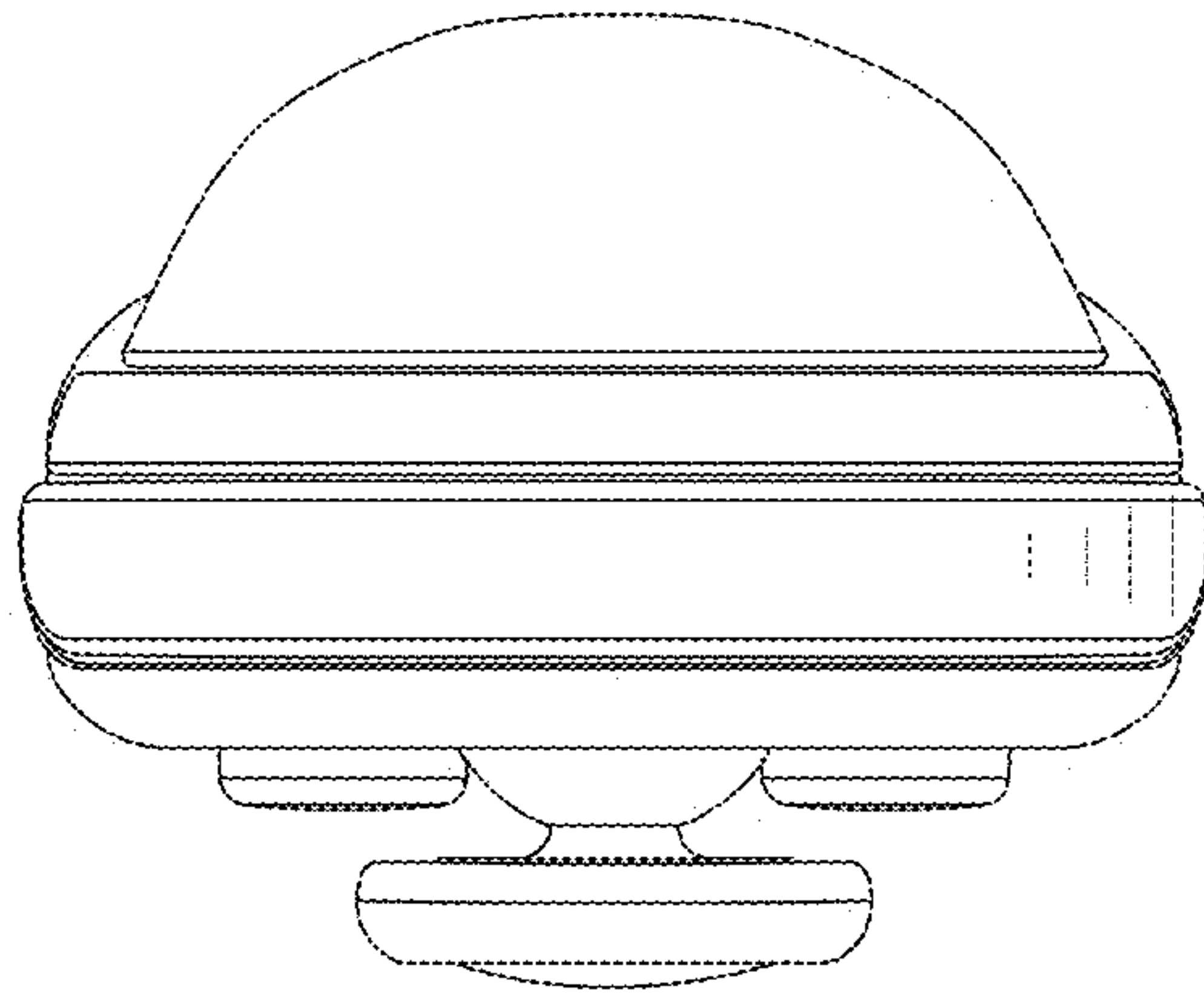


Fig. 3

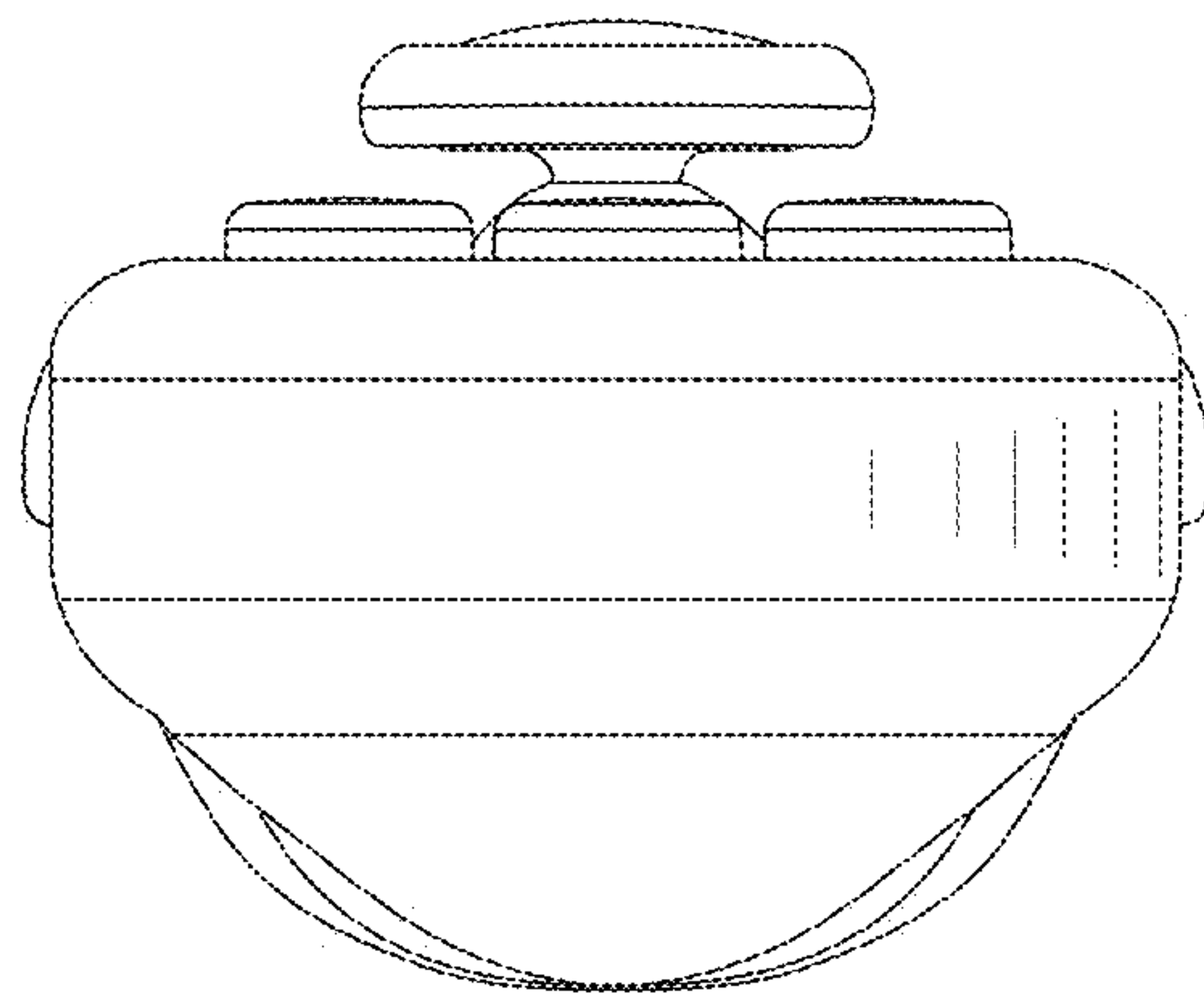


Fig. 4

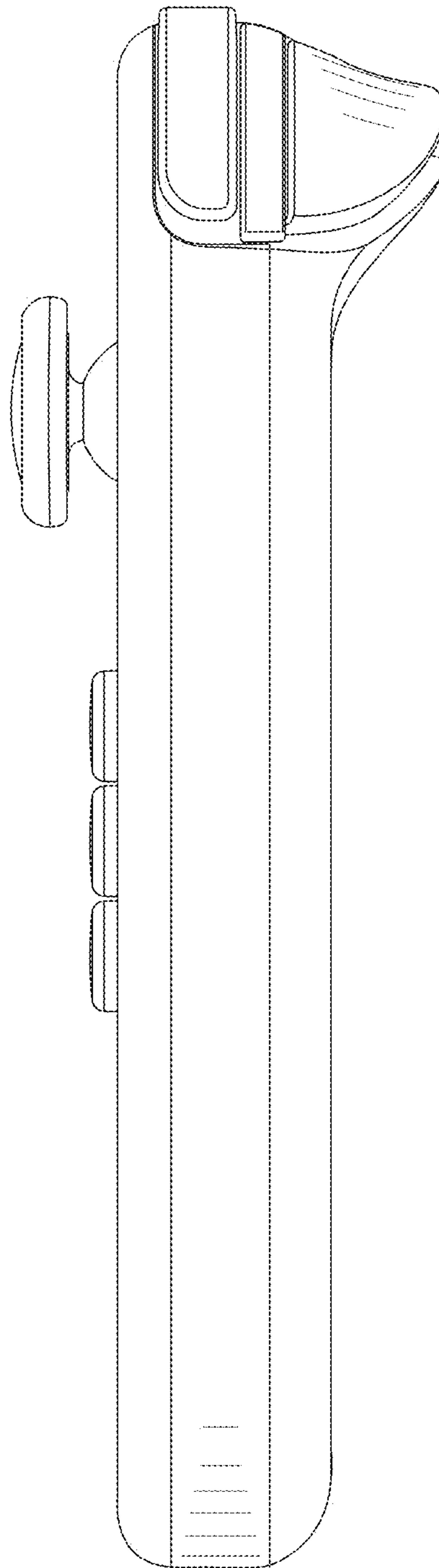


Fig. 5

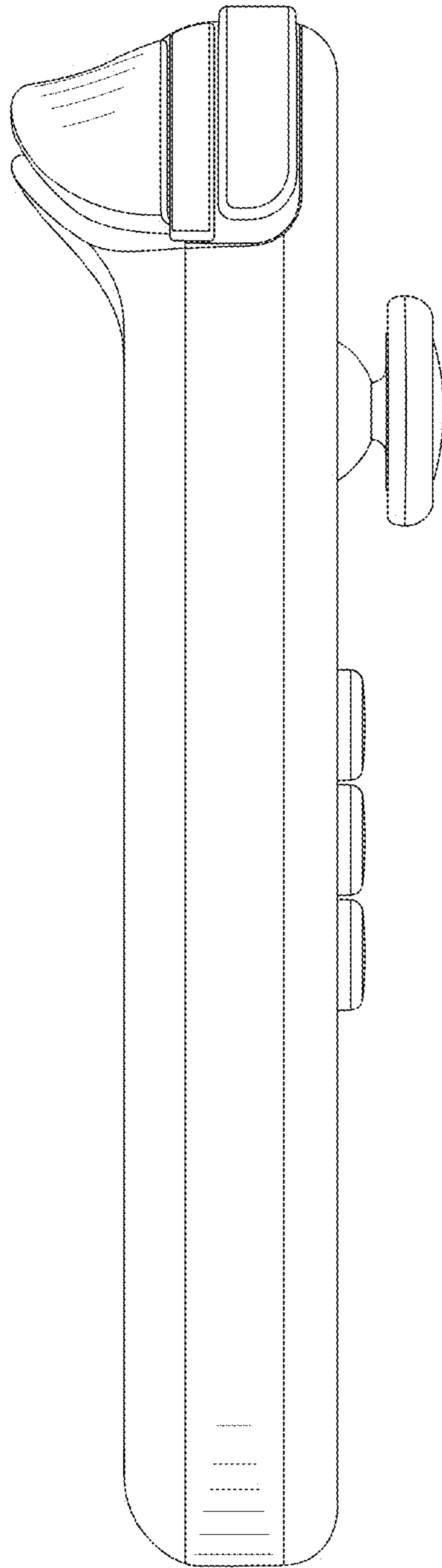


Fig. 6