



US00D880600S

(12) **United States Design Patent**
Quinn

(10) **Patent No.:** **US D880,600 S**

(45) **Date of Patent:** **** Apr. 7, 2020**

- (54) **SIMULATOR FRAME**
- (71) Applicant: **Calvin M. Quinn**, Peoria, IL (US)
- (72) Inventor: **Calvin M. Quinn**, Peoria, IL (US)
- (73) Assignee: **SIMFORMATION LLC**, Peoria, IL (US)
- (**) Term: **15 Years**
- (21) Appl. No.: **29/641,646**
- (22) Filed: **Mar. 23, 2018**
- (51) **LOC (12) Cl.** **21-01**
- (52) **U.S. Cl.**
USPC **D21/326**
- (58) **Field of Classification Search**
USPC D14/299, 433, 341, 343, 345, 498, 137, D14/138 R, 138 AB, 138 AA, 138 AD, D14/188, 204, 210, 212, 215, 216, 230, D14/447, 432, 434, 439, 440, 451, 452, D14/457, 239; D21/324, 325, 326, 329, D21/330, 331, 332, 333; D13/110, 133, D13/146, 147, 151, 153, 154, 155, 156; D10/47, 75, 77, 78, 80, 97, 121, 103; D6/406.3, 406.4, 406.5, 406.6, 641, 642, D6/648, 648.1, 649, 653, 654, 654.18, D6/655, 655.11, 656, 656.13, 708, D6/708.16, 709, 709.2, 710; D8/363, D8/373, 380
CPC . G09B 9/08; G09B 9/00; G09B 9/003; G09B 9/006; G09B 9/02; G09B 9/52; A63F 2300/8017; A63F 2300/1062; A63F 13/803; A63F 13/80; A47B 1/00; A47B 3/00; A47B 9/00; A47B 23/00; A47B 37/00; A47B 43/00; A47B 46/00; A47B 2200/00
See application file for complete search history.

- D380,779 S * 7/1997 Shinzato D21/326
 - D407,758 S * 4/1999 Isetani D21/326
 - D407,759 S * 4/1999 Isetani D21/326
 - D467,977 S * 12/2002 Gatto D21/326
 - D508,090 S * 8/2005 Blackwell, III D21/333
- (Continued)

FOREIGN PATENT DOCUMENTS

DE 3726976 A1 * 2/1989 G09B 9/04

OTHER PUBLICATIONS

Hydraulic Excavator Simulator System, posted © 2019 [online], retrieved Aug. 29, 2019, retrieved from internet, <https://catsimulators.com/products/hydraulic-excavator/>.*

Primary Examiner — Michelle E. Wilson
Assistant Examiner — Messina L Smith
(74) *Attorney, Agent, or Firm* — Howard & Howard Attorneys PLLC

(57) **CLAIM**

I claim the ornamental design for a simulator frame, as shown and described.

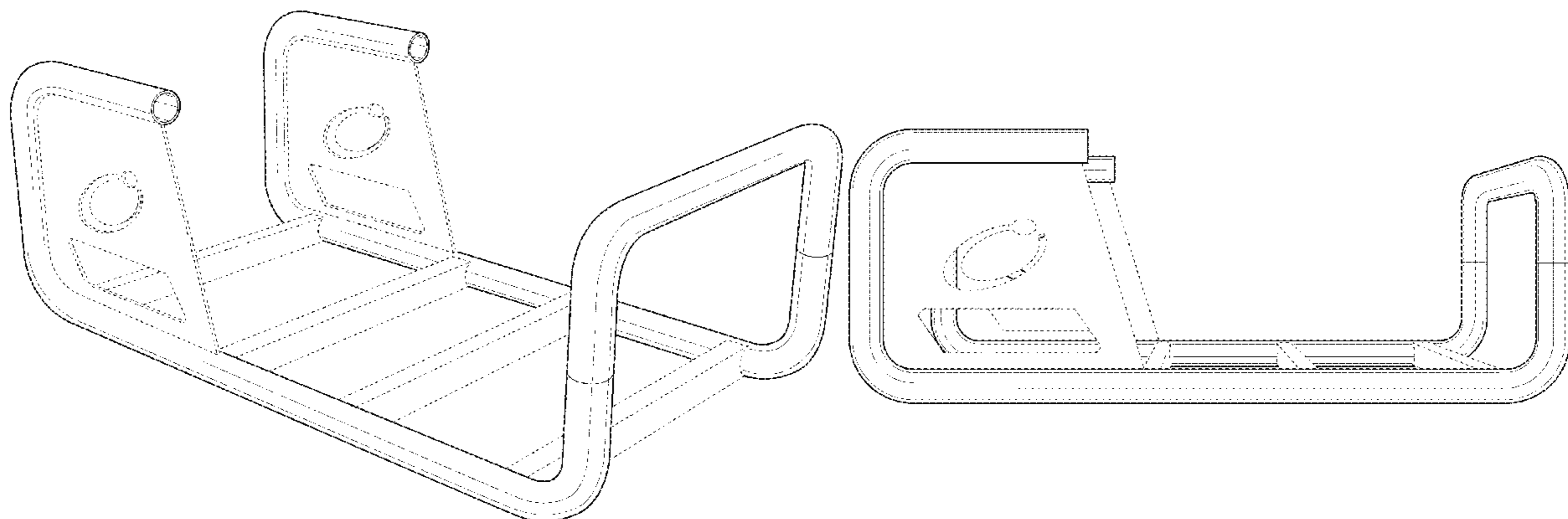
DESCRIPTION

FIG. 1 is a front perspective view of a simulator frame showing the new design;
FIG. 2 is a rear perspective view thereof;
FIG. 3 is a front view thereof;
FIG. 4 is a rear view thereof;
FIG. 5 is a left view thereof;
FIG. 6 is a right view thereof;
FIG. 7 is a top view thereof; and,
FIG. 8 is a bottom view thereof.

The broken lines shown in the drawings depict portions of the simulator frame that form no part of the claimed design.

1 Claim, 6 Drawing Sheets

- (56) **References Cited**
U.S. PATENT DOCUMENTS
3,333,226 A * 7/1967 Donnelly H01R 12/58
439/80
5,583,414 A * 12/1996 Lawrence B63J 3/04
320/107



(56)

References Cited

U.S. PATENT DOCUMENTS

D545,912	S *	7/2007	Nunokawa	D21/326
D599,413	S *	9/2009	Izumi	D14/388
D604,977	S *	12/2009	Conville	D6/552
D615,596	S *	5/2010	Bik	D21/324
D638,879	S *	5/2011	Suto	D19/63
D651,133	S *	12/2011	Liebl	D12/86
D656,553	S *	3/2012	Blaskov	D21/326
D682,360	S *	5/2013	Bhirombhakdi	D21/326
D701,917	S *	4/2014	Ghahramanian	D21/326
D720,161	S *	12/2014	Udagawa	D6/656.13
D734,079	S *	7/2015	Roth	D6/656.13
D742,973	S *	11/2015	Park	D14/401
D755,548	S *	5/2016	Berlinches	D6/708.16
D784,457	S *	4/2017	Fung	D21/324
D811,789	S *	3/2018	Fletcher	D6/708.16
9,983,578	B2 *	5/2018	Kandula	G05D 1/0016
D835,198	S *	12/2018	Berlinches	D21/326
D863,854	S *	10/2019	Ostwald	D6/708.16
2005/0132939	A1 *	6/2005	McClellion	A63F 13/02 108/92
2009/0163283	A1 *	6/2009	Childress	A63F 13/08 463/47
2010/0028837	A1 *	2/2010	Holloway	G05G 1/38 434/30
2014/0272809	A1 *	9/2014	Martel	G09B 9/30 434/38
2018/0024019	A1 *	1/2018	Schagerl	G01L 5/28 434/69
2018/0354762	A1 *	12/2018	Altizer	B66F 11/04
2019/0139436	A1 *	5/2019	Ashry	G09B 9/05

* cited by examiner

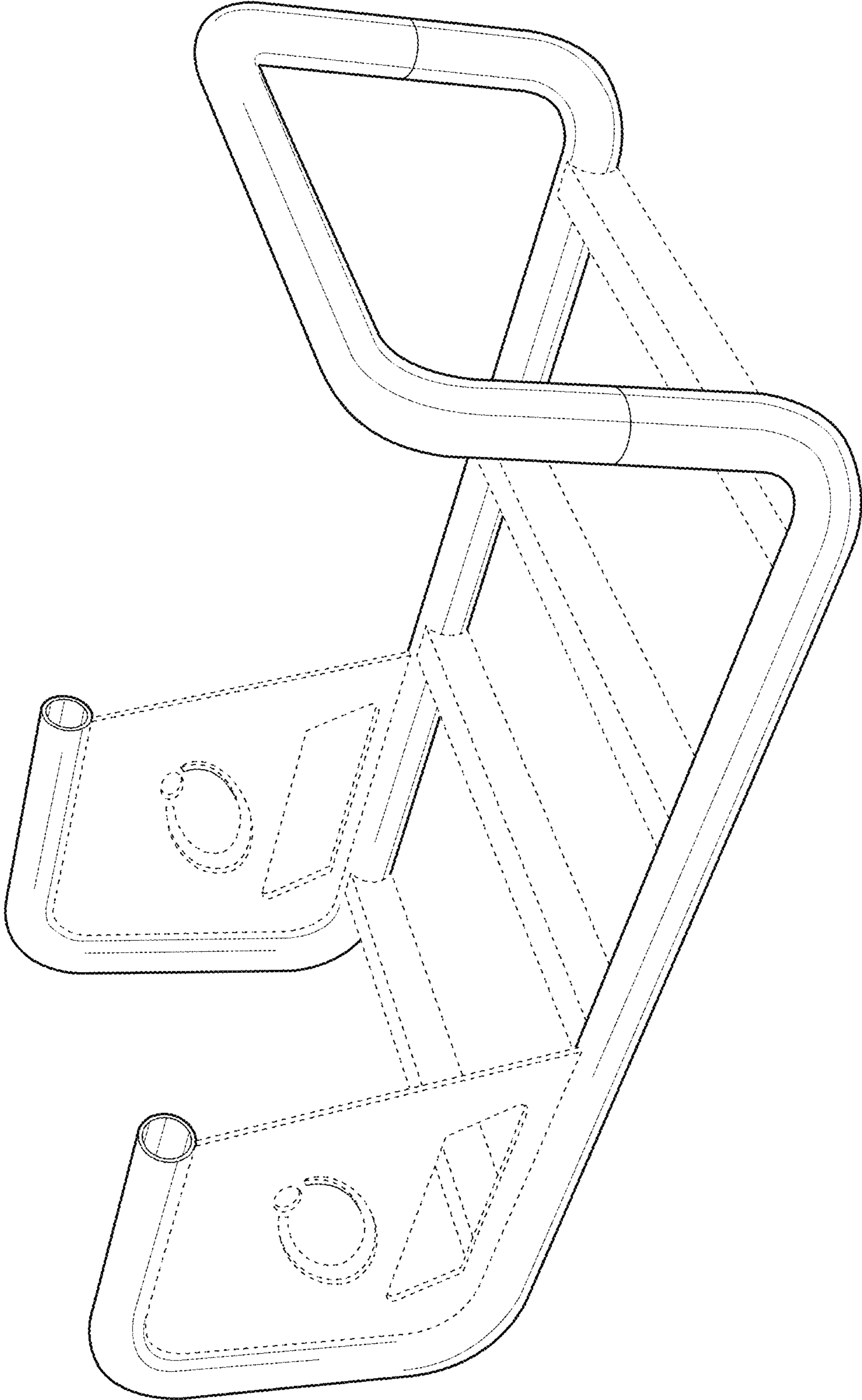


FIG. 1

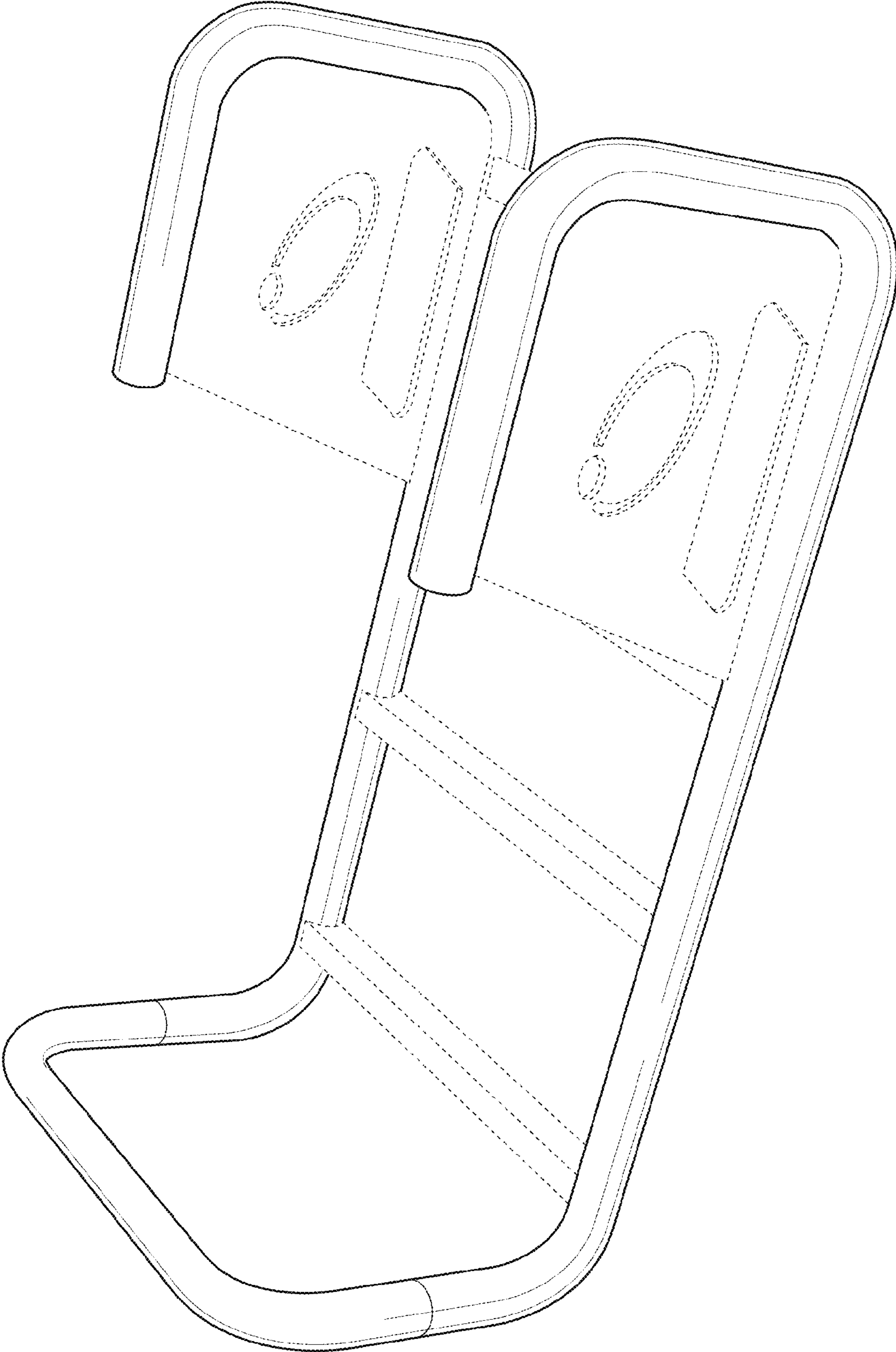


FIG. 2

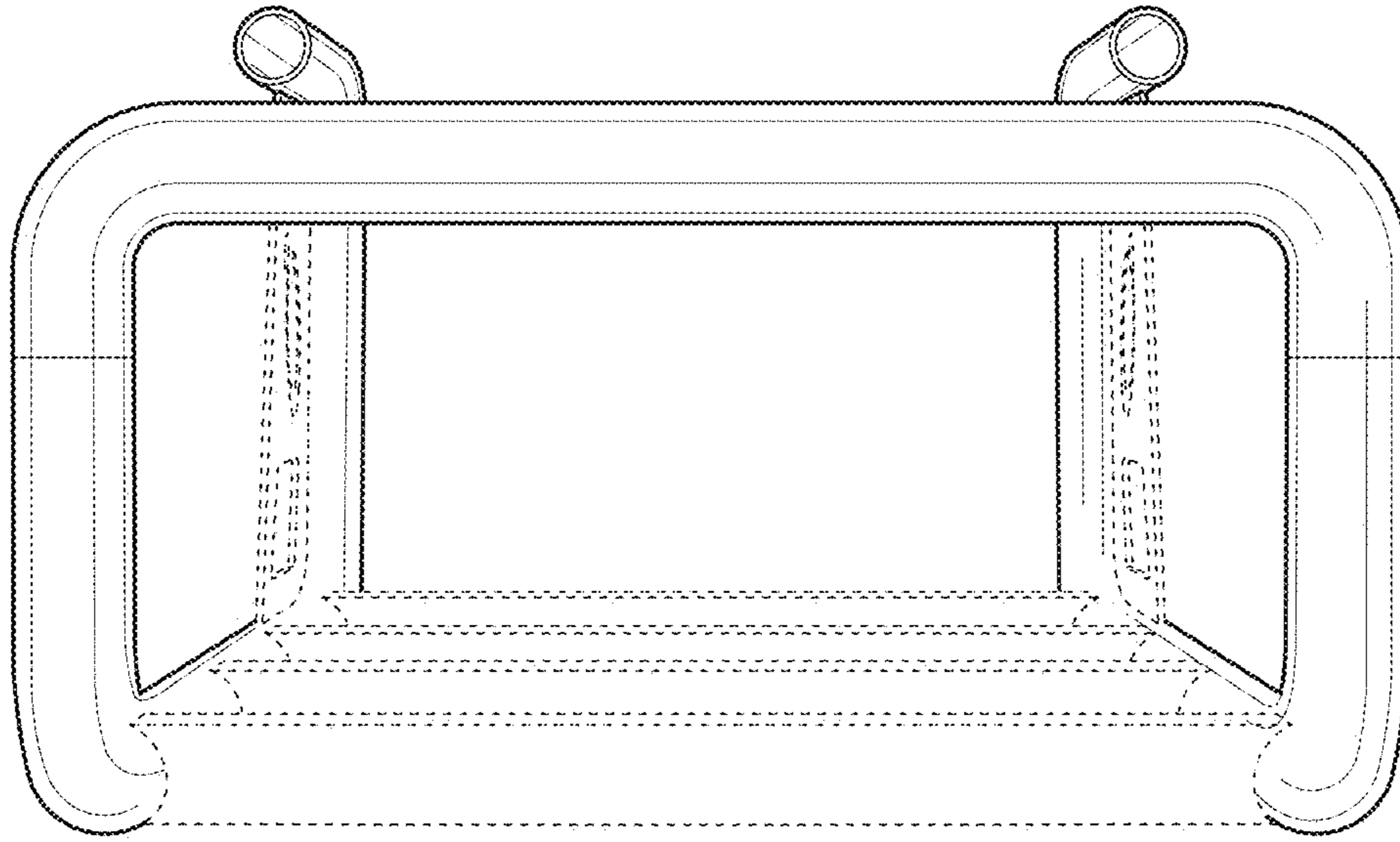


FIG. 3

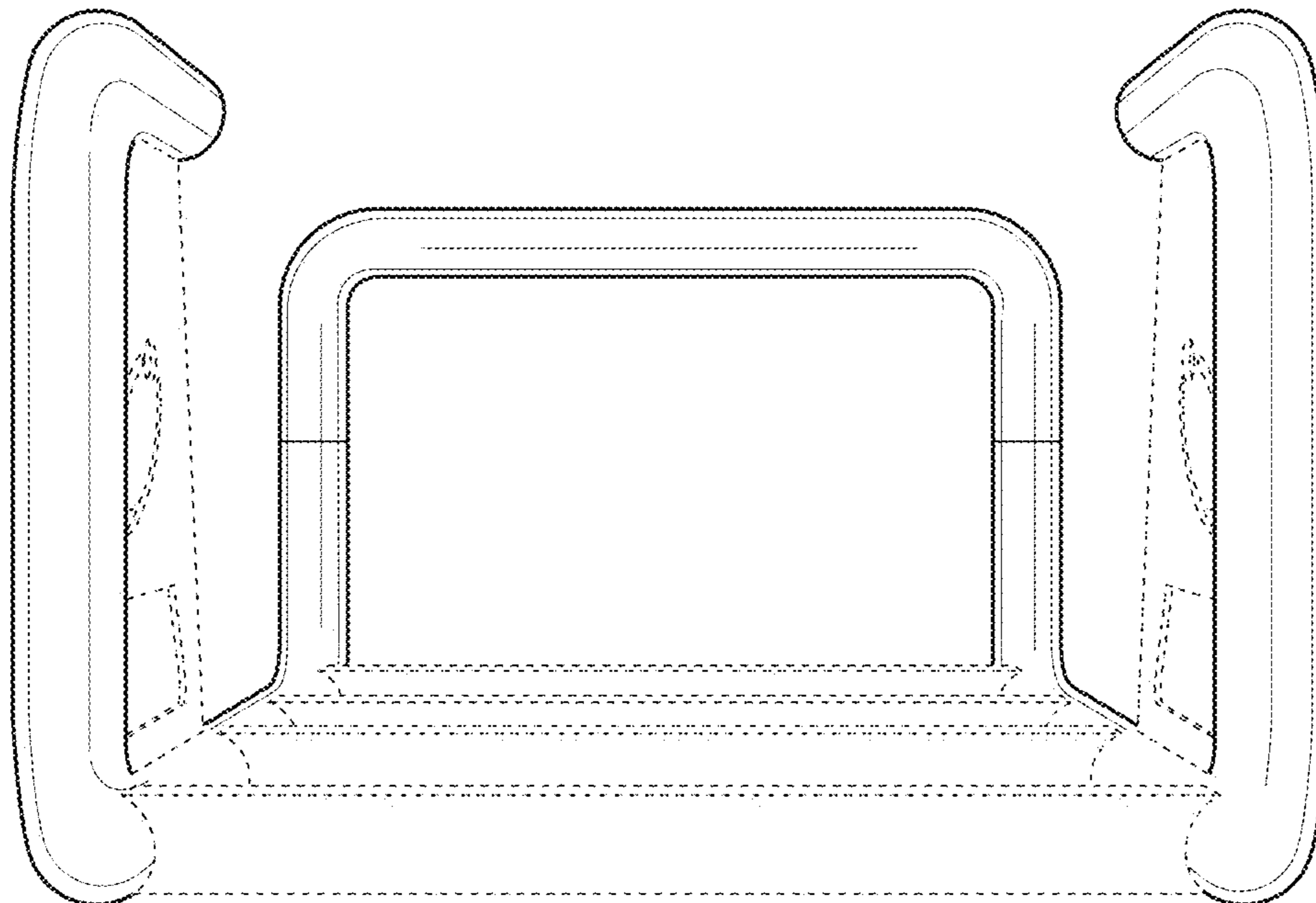


FIG. 4

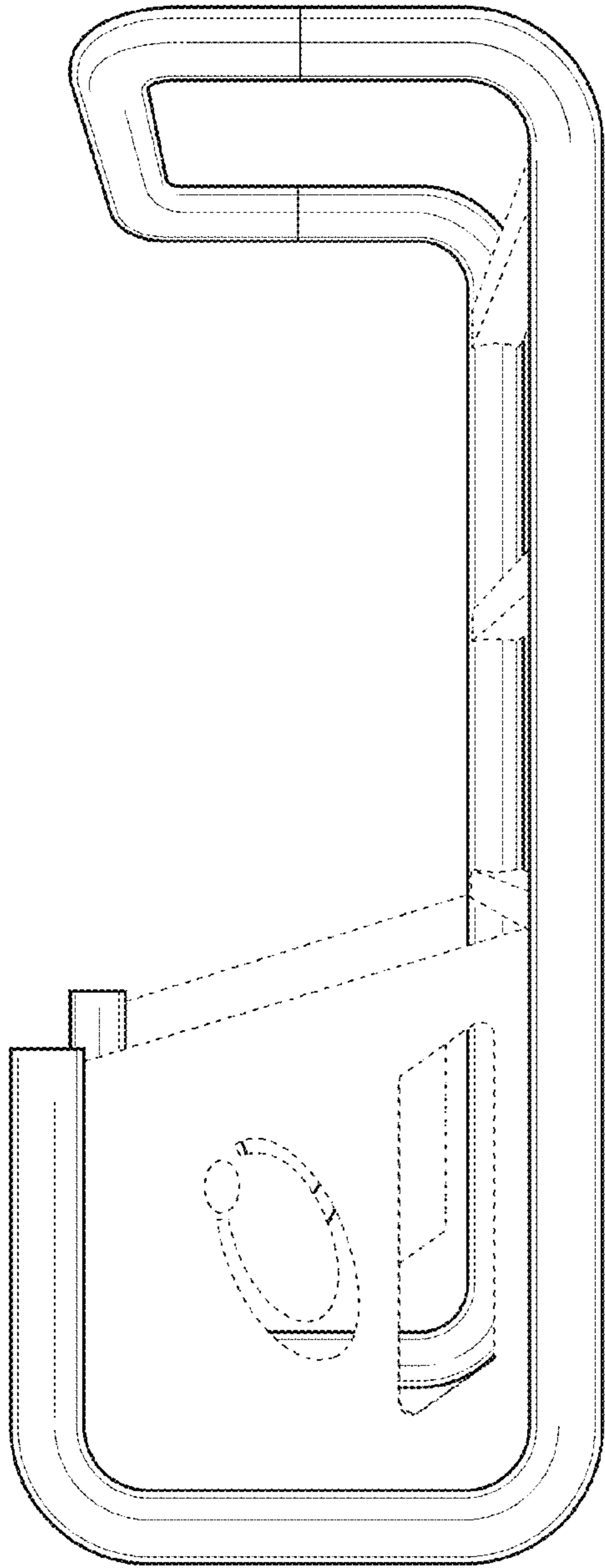


FIG. 5

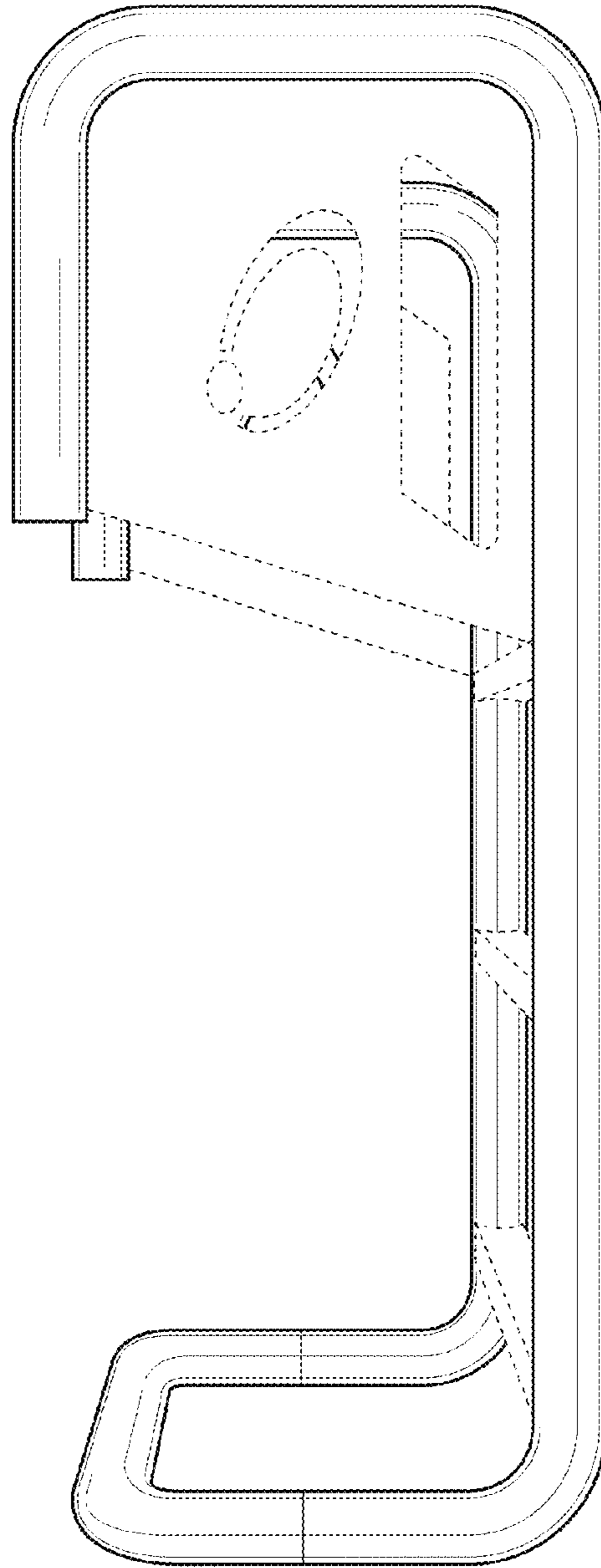


FIG. 6

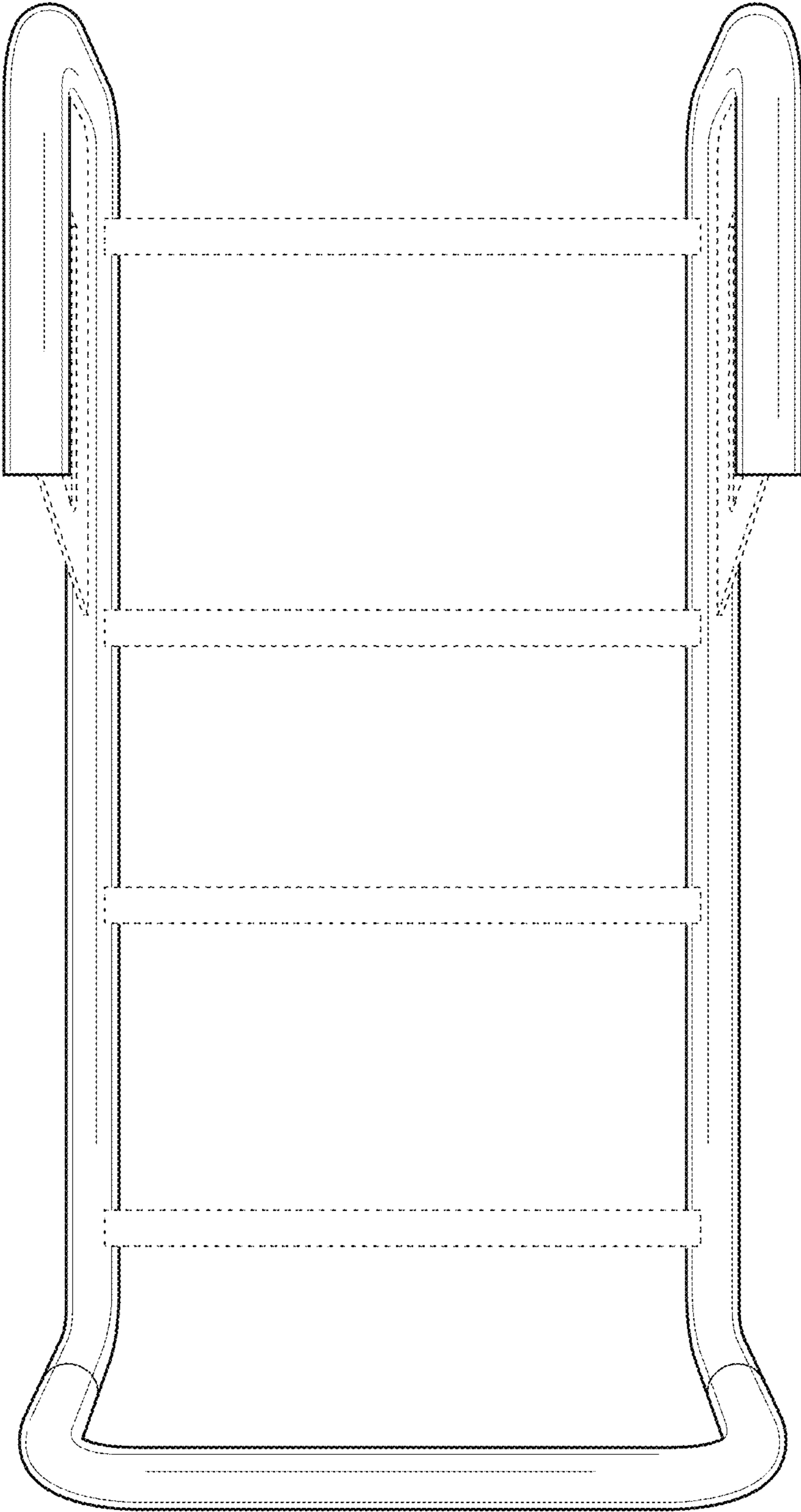


FIG. 7

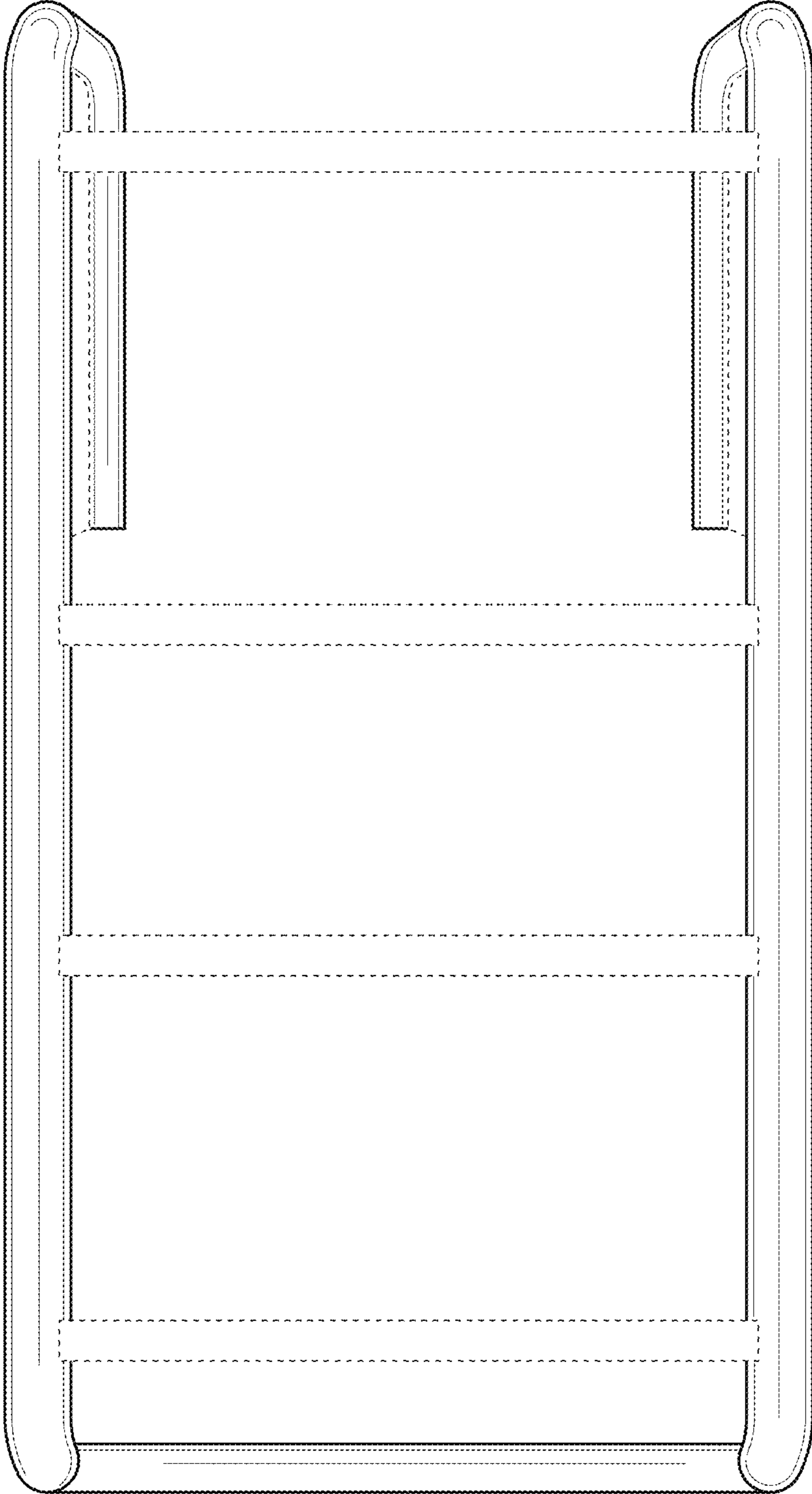


FIG. 8