



US00D880595S

(12) **United States Design Patent** (10) **Patent No.:** **US D880,595 S**  
**Wolf** (45) **Date of Patent:** **\*\* Apr. 7, 2020**

- (54) **RING TOSS GAME**
- (71) Applicant: **FIRST-N-TEN LLC**, North Tonawanda, NY (US)
- (72) Inventor: **Michael C. Wolf**, North Tonawanda, NY (US)
- (73) Assignee: **FIRST-N-TEN LLC**, North Tonawanda, NY (US)
- (\*\*) Term: **15 Years**
- (21) Appl. No.: **29/667,625**
- (22) Filed: **Oct. 23, 2018**

**Related U.S. Application Data**

- (63) Continuation of application No. 15/189,443, filed on Jun. 22, 2016, now abandoned.
- (51) **LOC (12) Cl.** ..... **21-01**
- (52) **U.S. Cl.**  
USPC ..... **D21/304**
- (58) **Field of Classification Search**  
USPC ..... D21/300–307, 319, 335, 342, 386, 699, D21/705, 789, 790, 791; D6/301, D6/310–312, 317, 319–322, 328, 655.18, D6/675.5, 685, 688.15, 693.1, 695.4, D6/696.3, 708, 708.16, 709, 709.02, D6/716.1; D20/16, 21; D16/244, 245; D34/18, 27, 34, 35; D8/343; 473/164, 473/172, 197; 273/343, 398, 404, 407, 273/410, 108; D23/214, 221, 238, 249, D23/252, 259, 263, 264, 265, 266, 386; D25/1, 3, 15, 42, 43, 44, 134  
CPC ..... A63B 63/00; A63B 71/022; A63B 67/002  
See application file for complete search history.

- (56) **References Cited**  
U.S. PATENT DOCUMENTS
- D260,216 S \* 8/1981 Buhk ..... D6/708.24
- D266,722 S \* 11/1982 Stephens ..... D6/708.23
- D318,714 S \* 7/1991 Spangler ..... D23/253
- D321,736 S \* 11/1991 Franklin ..... D21/305
- 5,441,267 A \* 8/1995 Alder ..... G09F 17/00  
116/173
- D415,805 S \* 10/1999 Wygonik ..... D16/244
- D444,050 S \* 6/2001 Wyers ..... D8/341
- 6,427,496 B1 \* 8/2002 Hurst ..... B62D 53/085  
70/14
- D484,950 S \* 1/2004 Blattner ..... D23/252
- D518,879 S \* 4/2006 Wolf ..... D23/253
- D542,357 S \* 5/2007 Kirchenschlager ..... D21/304
- D576,685 S \* 9/2008 Queally ..... D21/302
- D581,248 S \* 11/2008 Wu ..... D8/343
- D602,285 S \* 10/2009 Lucht ..... D6/708
- D639,646 S \* 6/2011 Finley, Jr. .... D8/387
- D644,305 S \* 8/2011 White ..... D23/266
- D671,598 S \* 11/2012 Makaruk ..... D21/302

(Continued)

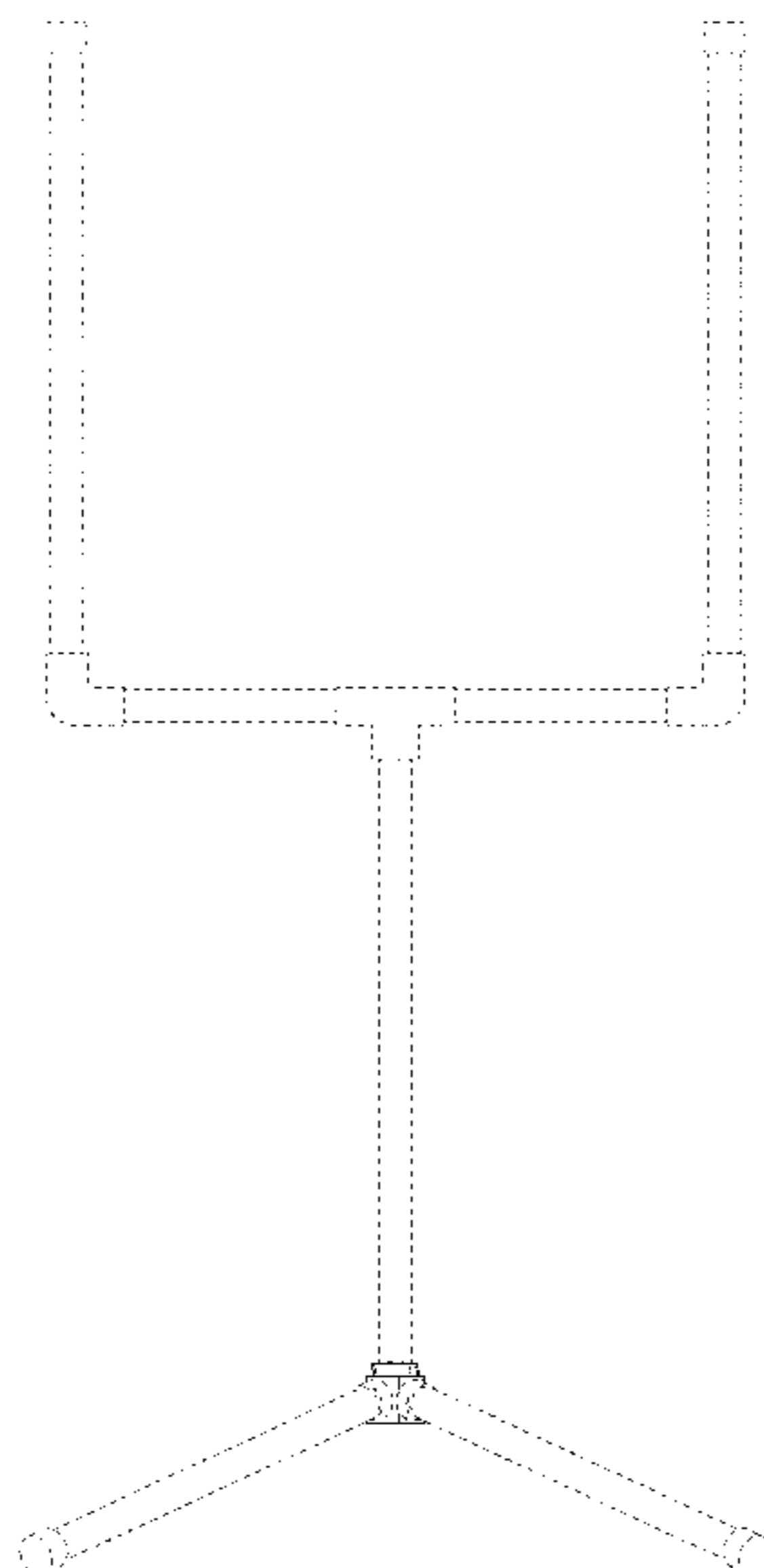
*Primary Examiner* — Kevin K Rudzinski  
*Assistant Examiner* — Mehri F Bajoul  
(74) *Attorney, Agent, or Firm* — Hodgson Russ LLP

(57) **CLAIM**  
The ornamental design for a ring toss game, as shown and described.

**DESCRIPTION**

FIG. 1 is a front elevation view of a ring toss game, shown in an exemplary, assembled state;  
FIG. 2 is a front elevation view thereof;  
FIG. 3 is a front-right elevation view thereof, showing the ring toss game rotated 45 degrees to the right;  
FIG. 4 is a top plan view thereof;  
FIG. 5 is a bottom plan view thereof; and,  
FIG. 6 is a cross-sectional view thereof, taken along 6-6 of FIG. 3.  
The broken lines in the figures illustrate portions of the ring toss game that form no part of the claimed design.

**1 Claim, 6 Drawing Sheets**



(56)

**References Cited**

U.S. PATENT DOCUMENTS

D673,204	S	*	12/2012	Bae	.....	D16/244
D700,245	S	*	2/2014	Overbay	.....	D21/304
D706,333	S	*	6/2014	Chun	.....	D16/244
D706,855	S	*	6/2014	Matsumoto	.....	D16/244
D749,707	S	*	2/2016	Kuang	.....	D23/263
D750,923	S	*	3/2016	Weidler	.....	D6/708.16
D792,560	S	*	7/2017	Kulig	.....	D23/249
D797,157	S	*	9/2017	Lauder	.....	D15/28
D811,527	S	*	2/2018	Fritz	.....	D23/238
D816,760	S	*	5/2018	Zheng	.....	D16/244
9,991,687	B2	*	6/2018	Olsson	.....	H02G 1/12
2019/0201258	A1	*	7/2019	Di Lauro	.....	A61G 5/125

\* cited by examiner

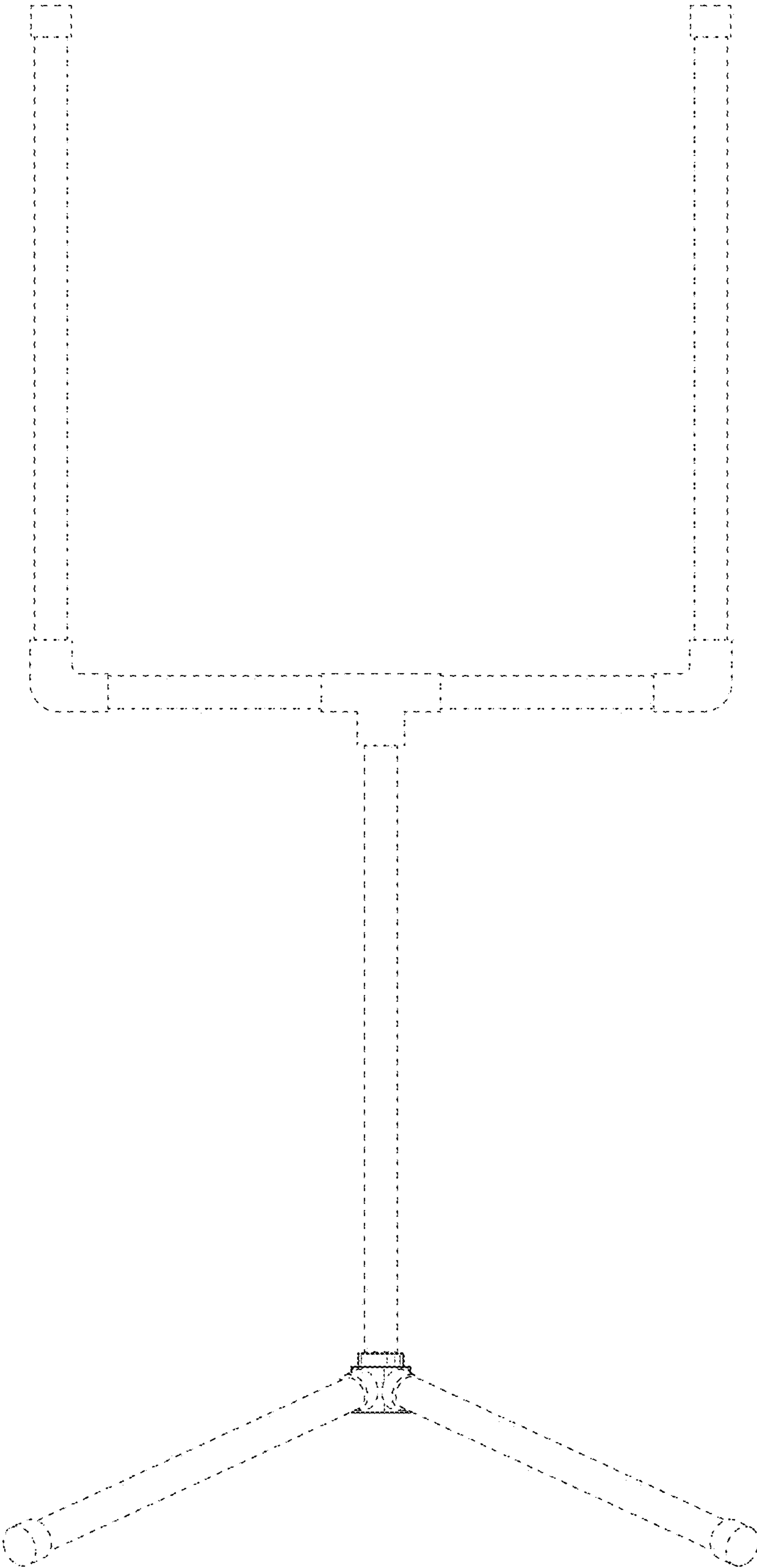


FIG. 1

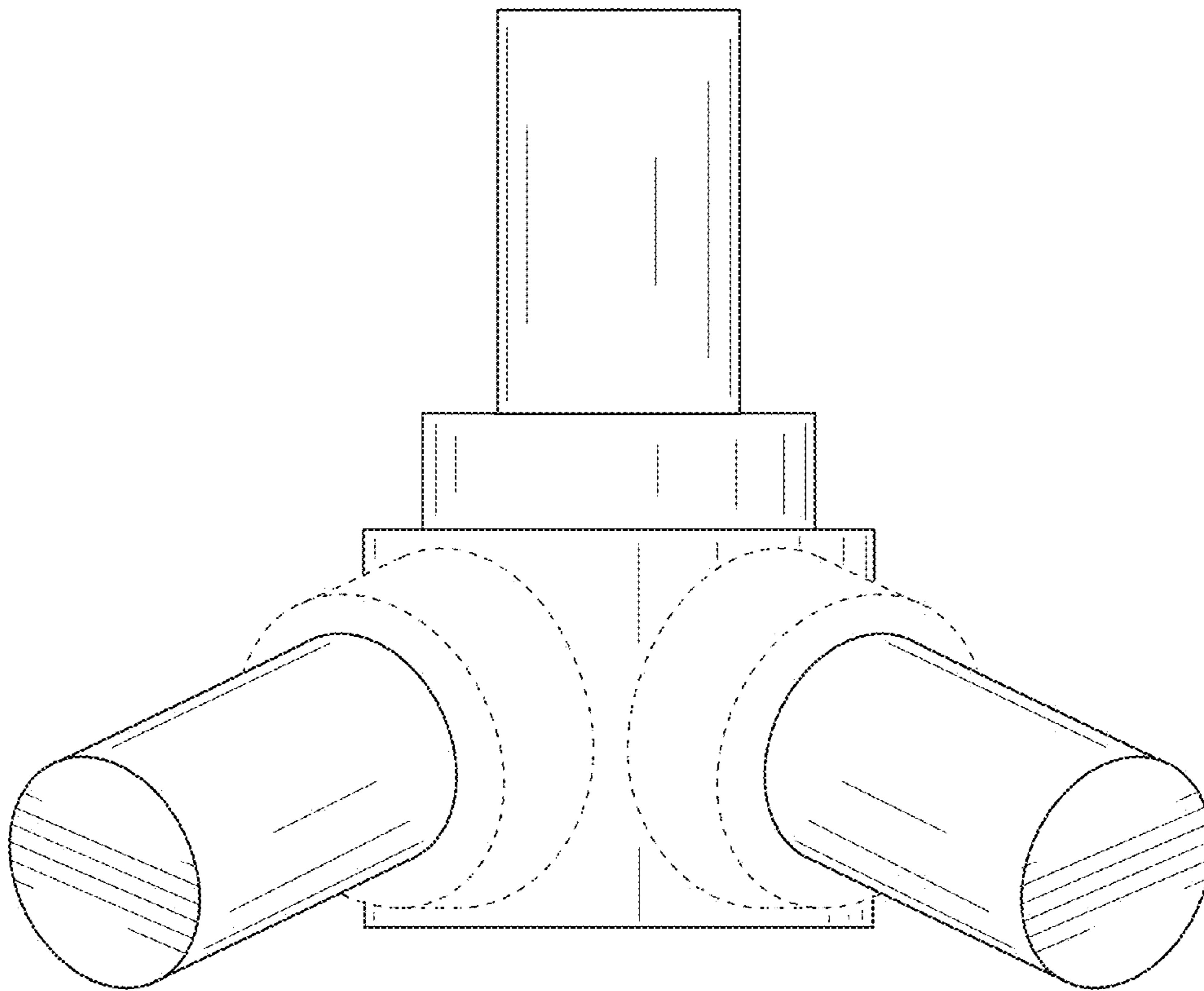


FIG. 2

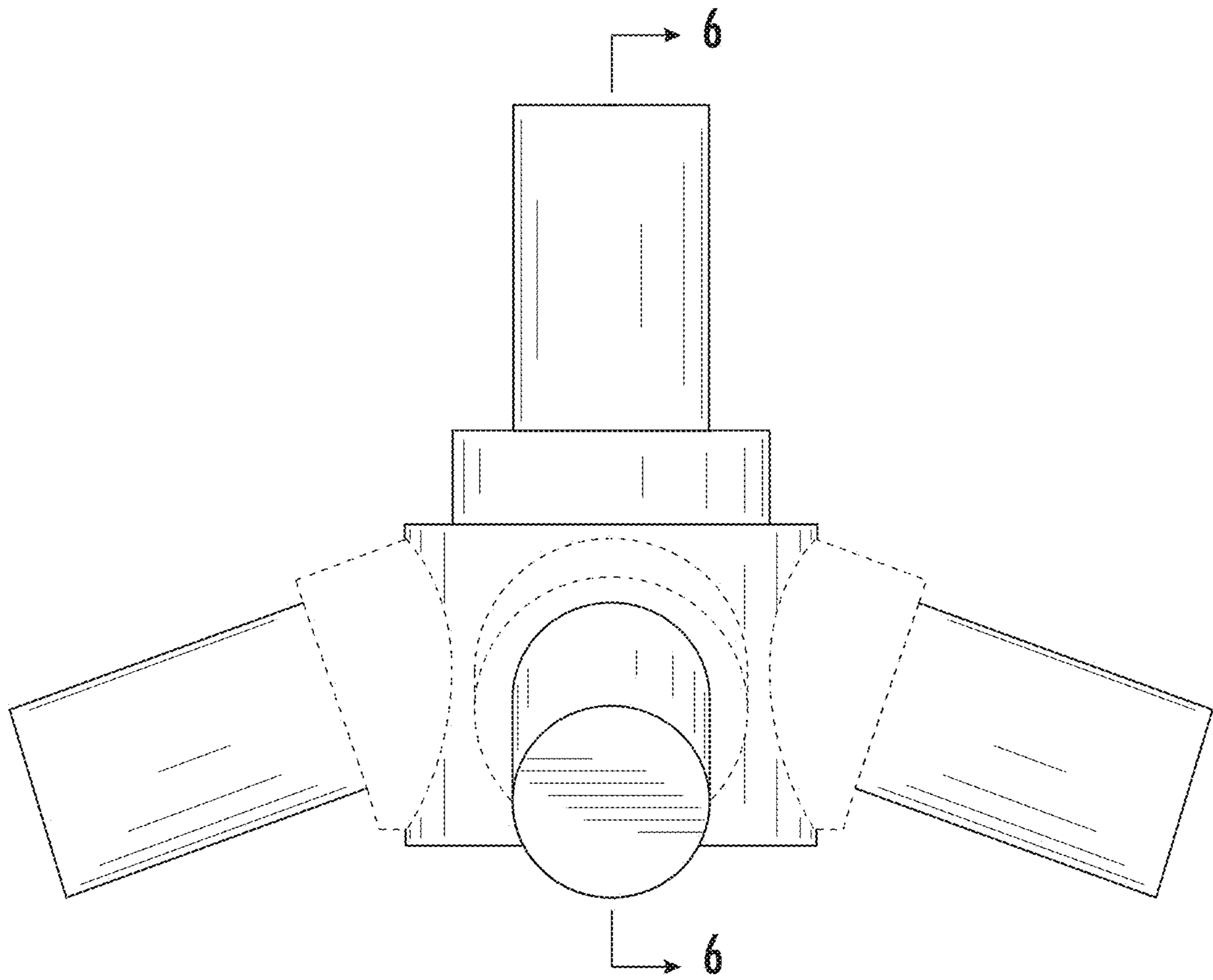


FIG. 3

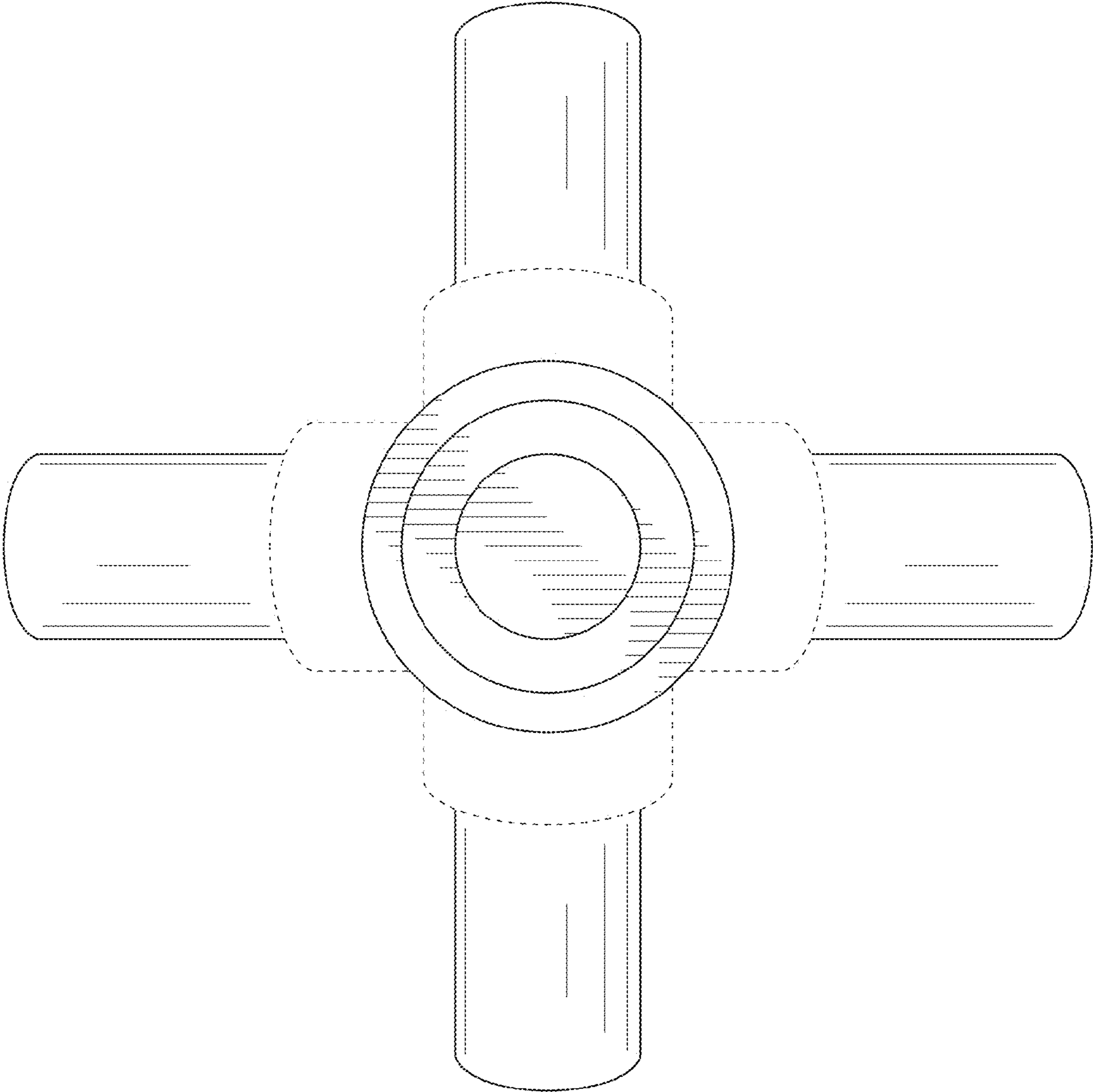


FIG. 4

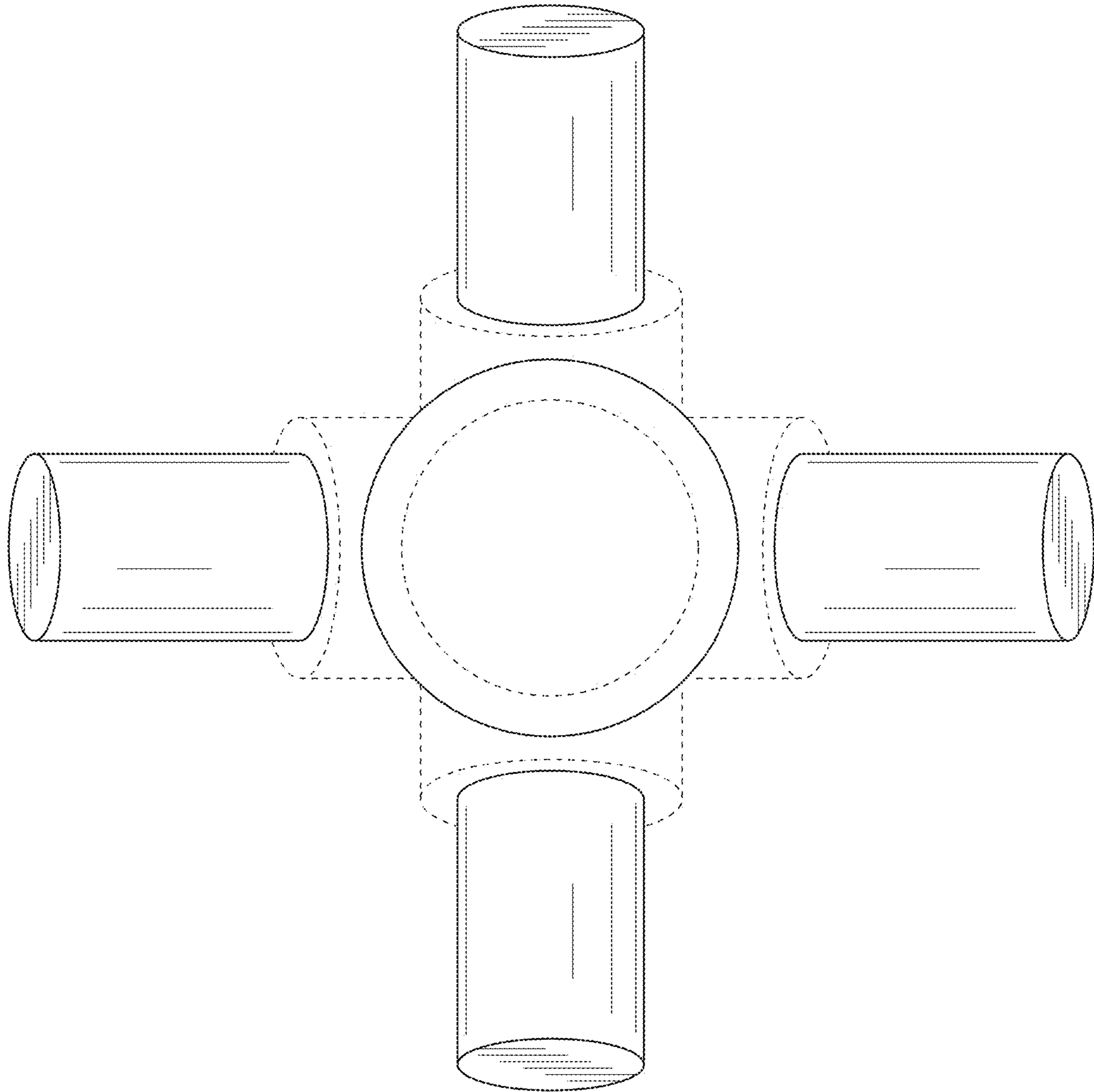


FIG. 5

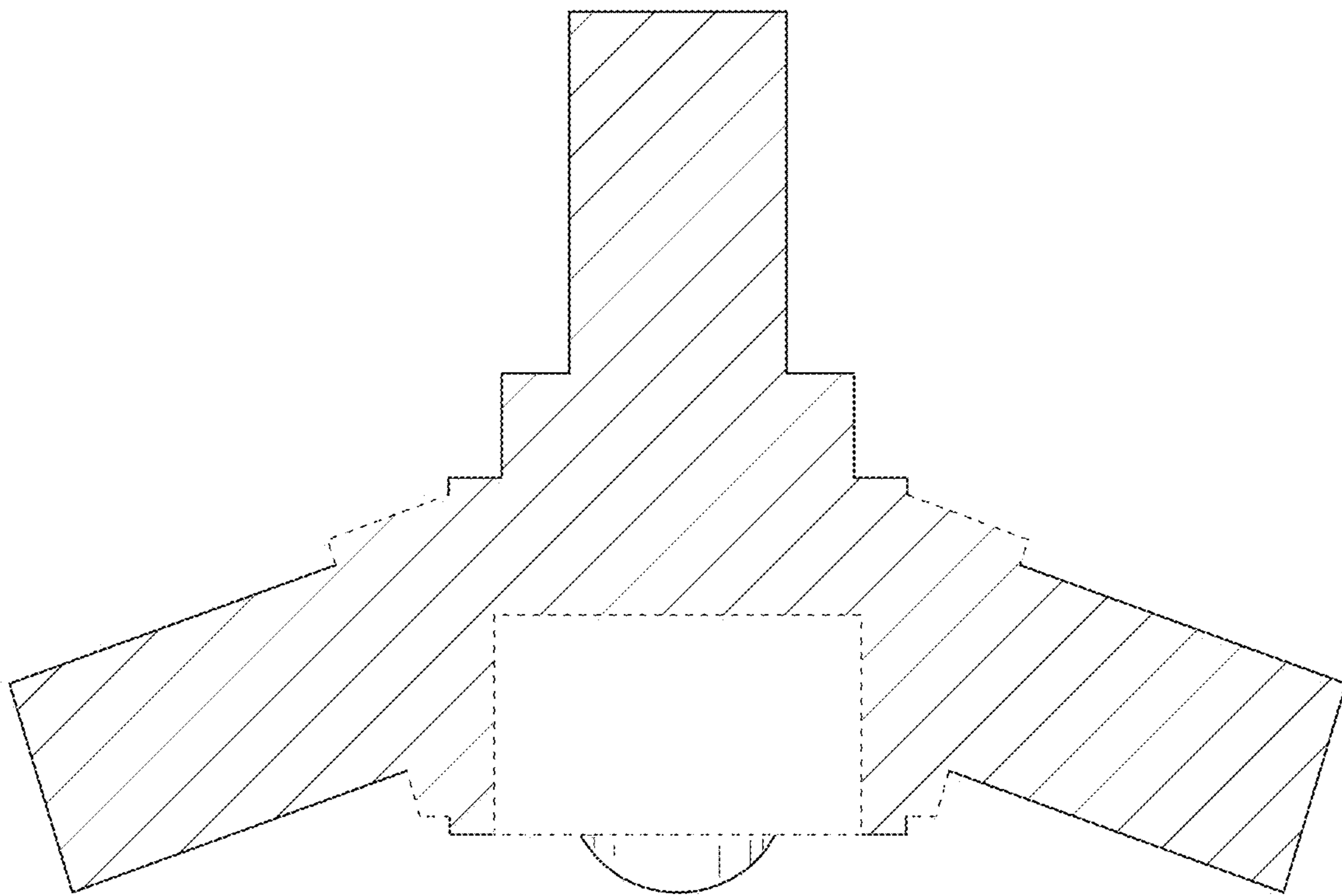


FIG. 6