

US00D880592S

(12) **United States Design Patent** (10) **Patent No.:** **US D880,592 S**  
**Lee et al.** (45) **Date of Patent:** **\*\* Apr. 7, 2020**

(54) **DIGITAL SIGNAGE**

(71) Applicant: **LG ELECTRONICS INC.**, Seoul (KR)  
(72) Inventors: **Yoonkyeong Lee**, Seoul (KR); **Yongho Lee**, Seoul (KR); **Jaewon Lim**, Seoul (KR)  
(73) Assignee: **LG ELECTRONICS INC.**, Seoul (KR)  
(\*\*) Term: **15 Years**  
(21) Appl. No.: **35/505,952**  
(22) Filed: **Apr. 27, 2018**

(80) **Hague Agreement Data**

Int. Filing Date: **Apr. 27, 2018**  
Int. Reg. No.: **DM/100973**  
Int. Reg. Date: **Apr. 27, 2018**  
Int. Reg. Pub. Date: **Nov. 2, 2018**

(30) **Foreign Application Priority Data**

Oct. 27, 2017 (KR) ..... 30-2017-0050046

(51) **LOC (12) Cl.** ..... **20-03**

(52) **U.S. Cl.**  
USPC ..... **D20/39**

(58) **Field of Classification Search**

USPC ..... D6/300, 310, 332; D10/113.4; D19/113; D20/9, 10, 15, 19, 27, 39, 41-43, 99; D14/126, 300, 305, 307, 314-316, 335, D14/336, 339, 340, 371, 432  
CPC ..... G09F 1/00; G09F 1/02; G09F 7/00; G09F 7/14; G09F 7/16; G09F 9/00; G09F 13/00; G09F 13/04; G09F 13/18; G09F 13/22; G09F 15/00; G09F 15/02; A47G 1/06; A47G 1/14

See application file for complete search history.

(56) **References Cited**

U.S. PATENT DOCUMENTS

D279,201 S *	6/1985	Shuman	.....	D20/10
D335,310 S *	5/1993	Kurnow	.....	D16/221
D350,566 S *	9/1994	Pearson	.....	D20/40
D417,468 S *	12/1999	Van Genechten	.....	D20/10
D450,776 S *	11/2001	Albrecht	.....	D20/10
D483,575 S *	12/2003	Chan	.....	D6/310
D509,543 S *	9/2005	Hillstrom	.....	D20/41
D639,086 S *	6/2011	Curbbun	.....	D20/10
D658,615 S *	5/2012	Chiu	.....	D14/126
D699,790 S *	2/2014	Zhu	.....	D20/43
D708,459 S *	7/2014	Heirakuji	.....	D6/675
D723,026 S *	2/2015	Birgeoglu	.....	D14/307
D790,232 S *	6/2017	Santos	.....	D6/300
D790,457 S *	6/2017	Vargas	.....	D13/108
D816,627 S *	5/2018	Kim	.....	D14/126

(Continued)

OTHER PUBLICATIONS

Made in China. 55" Large Big Size LG OLED Monitor 4K Transparent OLED Screen OLED Display. No date specified. <https://gzmaystar.en.made-in-china.com/product/RXkmigWVHrB/China-55-Large-Big-Size-LG-OLED-Monitor-4K-Transparent-OLED-Screen-OLED-Display.html> (Year: 0).\*

*Primary Examiner* — Darcey E Gottschalk

(74) *Attorney, Agent, or Firm* — Birch, Stewart, Kolasch & Birch, LLP

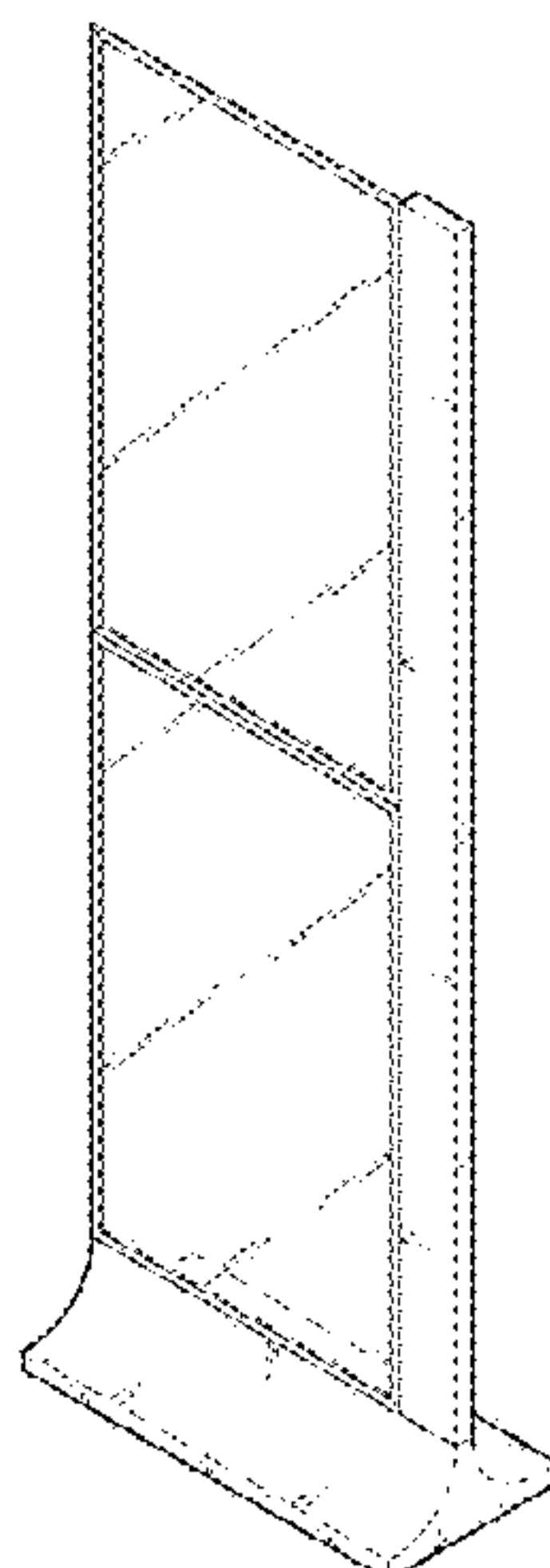
(57) **CLAIM**

The ornamental design for a digital signage, as shown and described.

**DESCRIPTION**

- 1. Digital signage
- 1.1 : Perspective
- 1.2 : Front
- 1.3 : Back
- 1.4 : Left
- 1.5 : Right
- 1.6 : Top
- 1.7 : Bottom

**1 Claim, 7 Drawing Sheets**



(56)

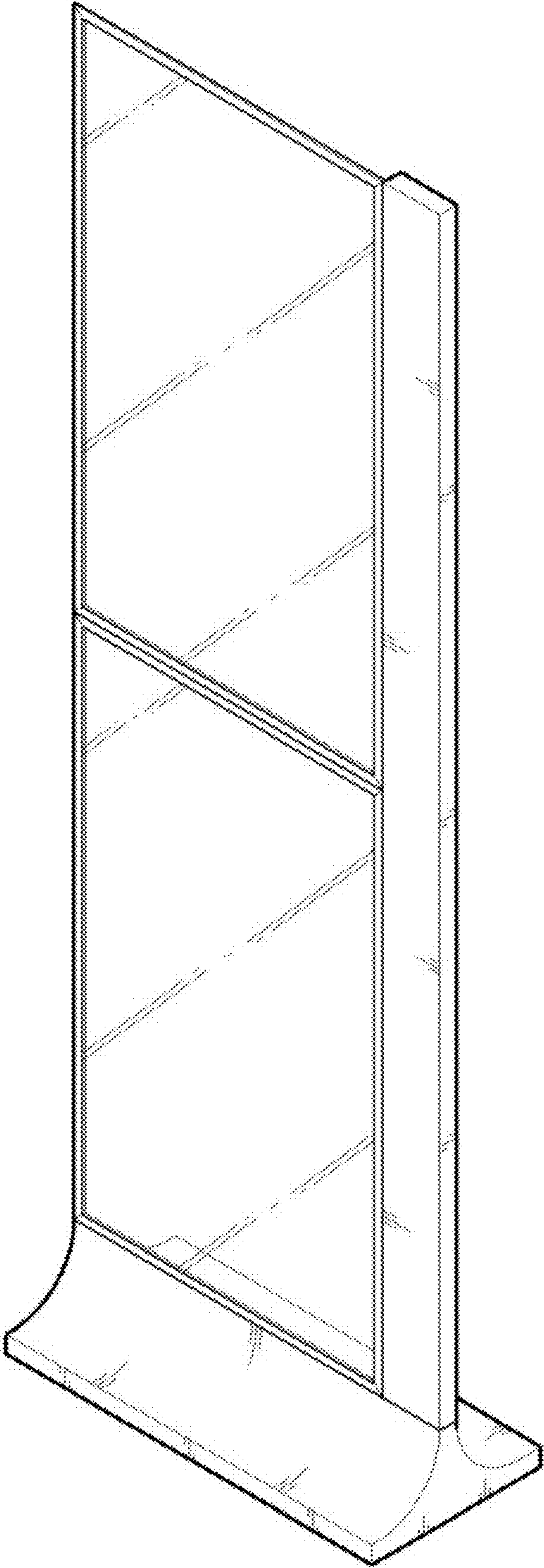
**References Cited**

U.S. PATENT DOCUMENTS

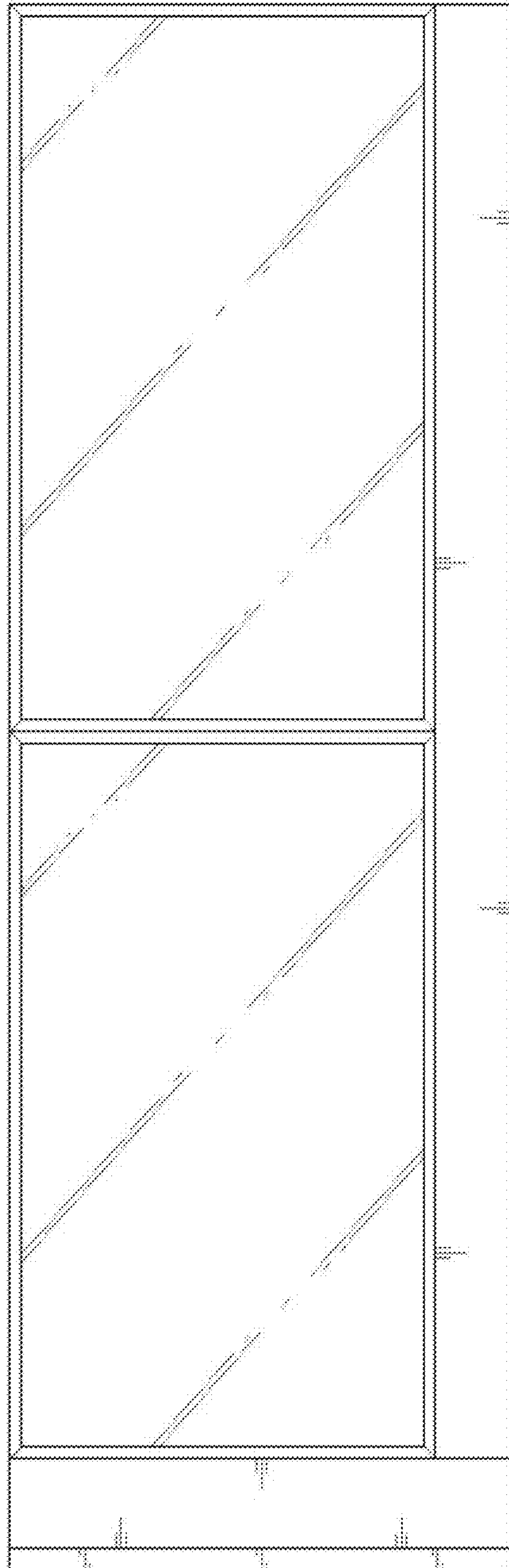
D852,273 S \* 6/2019 Lim ..... D20/39  
D852,274 S \* 6/2019 Lim ..... D20/39

\* cited by examiner

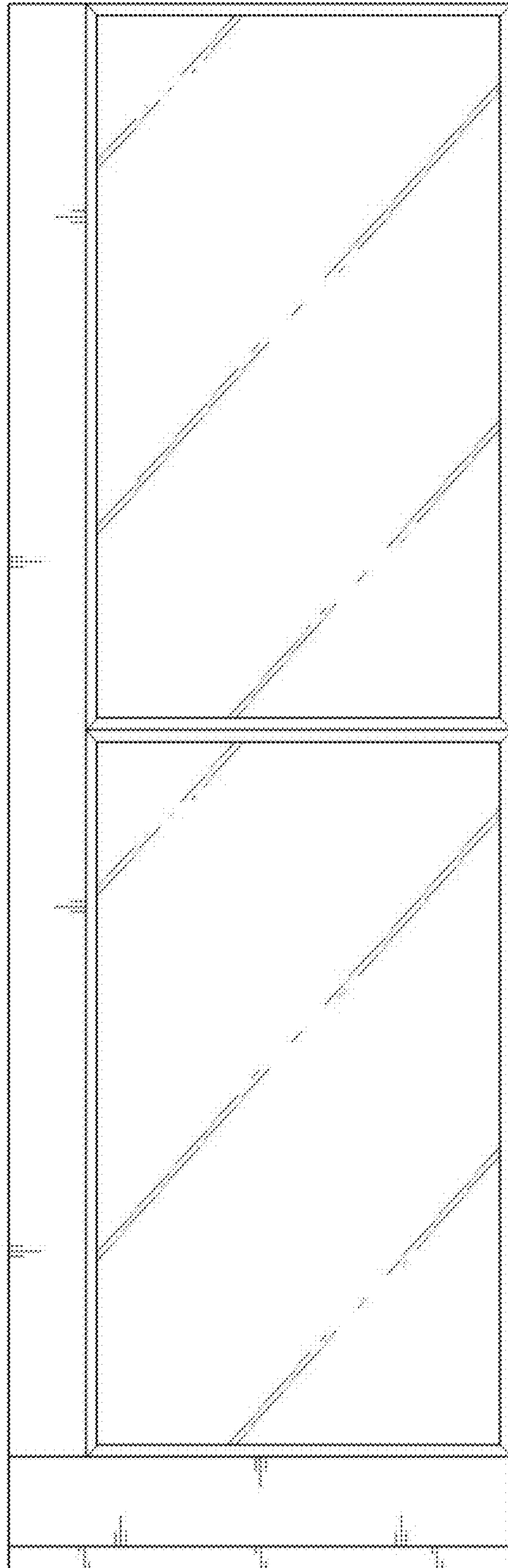
1.1



1.2

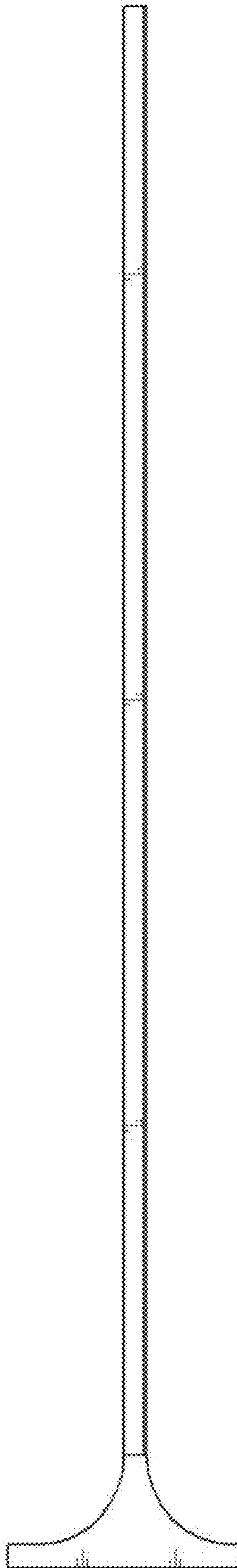


1.3

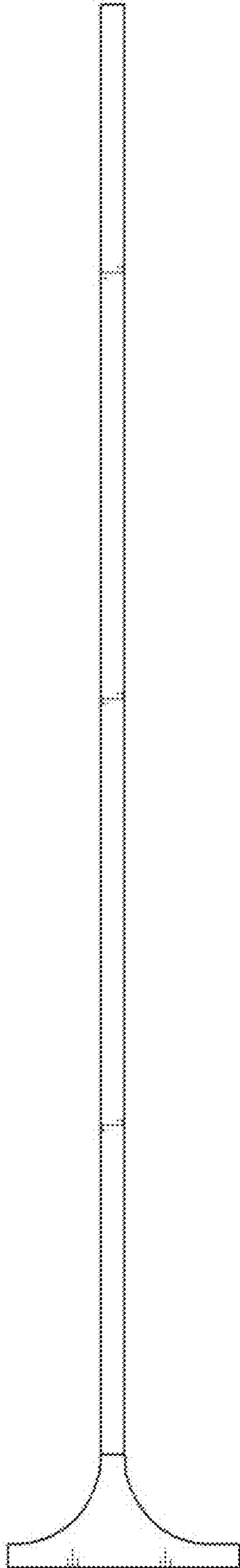




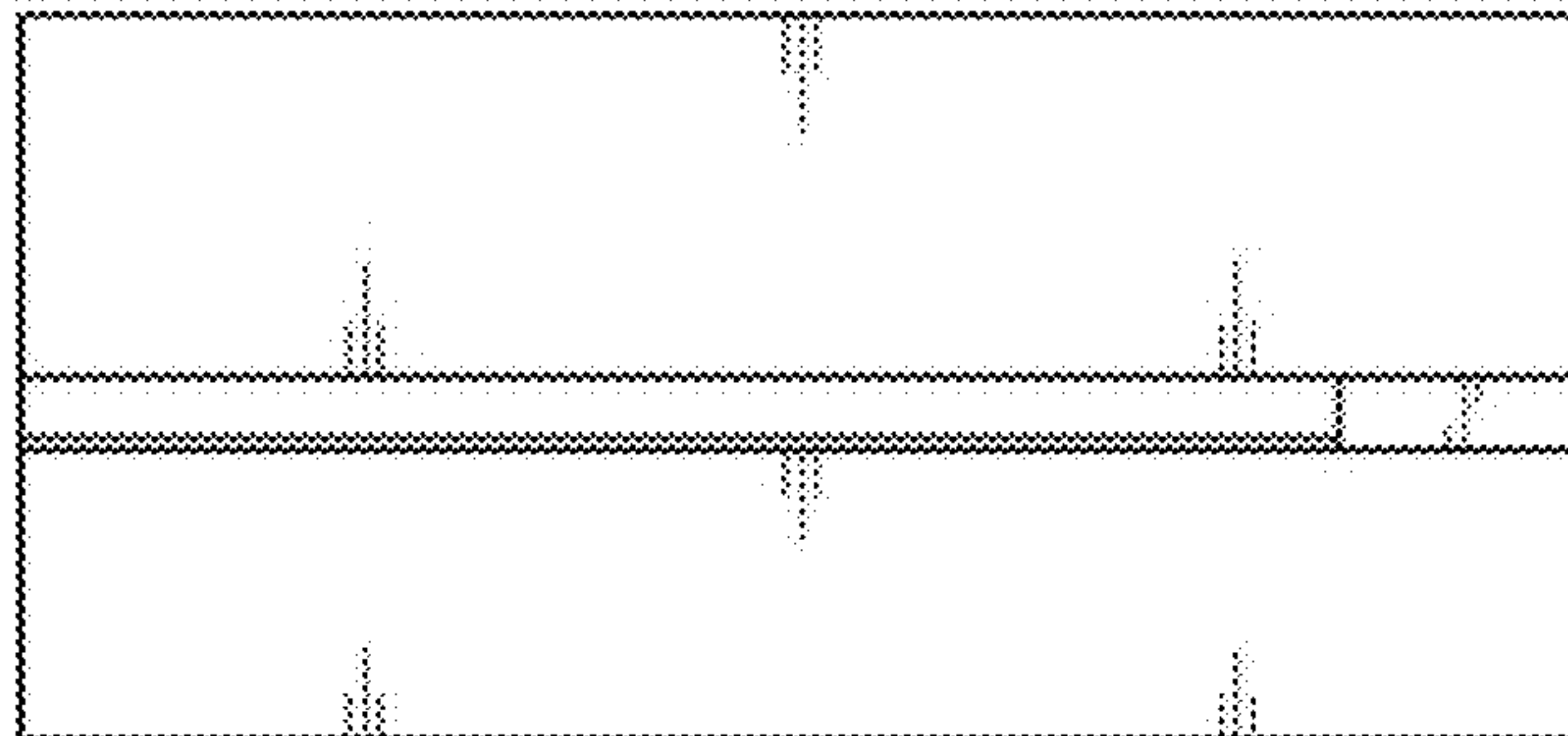
1.4



1.5



1.6





**1.7**

