



US00D880589S

(12) **United States Design Patent**
Hanes

(10) **Patent No.:** **US D880,589 S**
(45) **Date of Patent:** **** Apr. 7, 2020**

(54) **MODULAR SIGN ASSEMBLY**

(71) Applicant: **Grizzly Safety Innovations, LLC**,
Wattsburg, PA (US)

(72) Inventor: **Gary Hanes**, Wattsburg, PA (US)

(73) Assignee: **Grizzly Safety Innovations, LLC**,
Wattsburg, PA (US)

(**) Term: **15 Years**

(21) Appl. No.: **29/647,568**

(22) Filed: **May 14, 2018**

(51) **LOC (12) Cl.** **20-02**

(52) **U.S. Cl.**
USPC **D20/10**

(58) **Field of Classification Search**
USPC D10/109.1, 109.2, 113.4; D20/10-13, 15,
D20/17, 19, 20, 21, 41, 42, 99; D26/31;
(Continued)

(56) **References Cited**

U.S. PATENT DOCUMENTS

D273,403 S * 4/1984 DeLuca D21/392
D330,730 S * 11/1992 Watanabe D20/10
(Continued)

Primary Examiner — Cathron C Brooks

Assistant Examiner — Christian P. McLean

(74) *Attorney, Agent, or Firm* — Jonathan M. D’Silva;
MMI Intellectual Property

(57) **CLAIM**

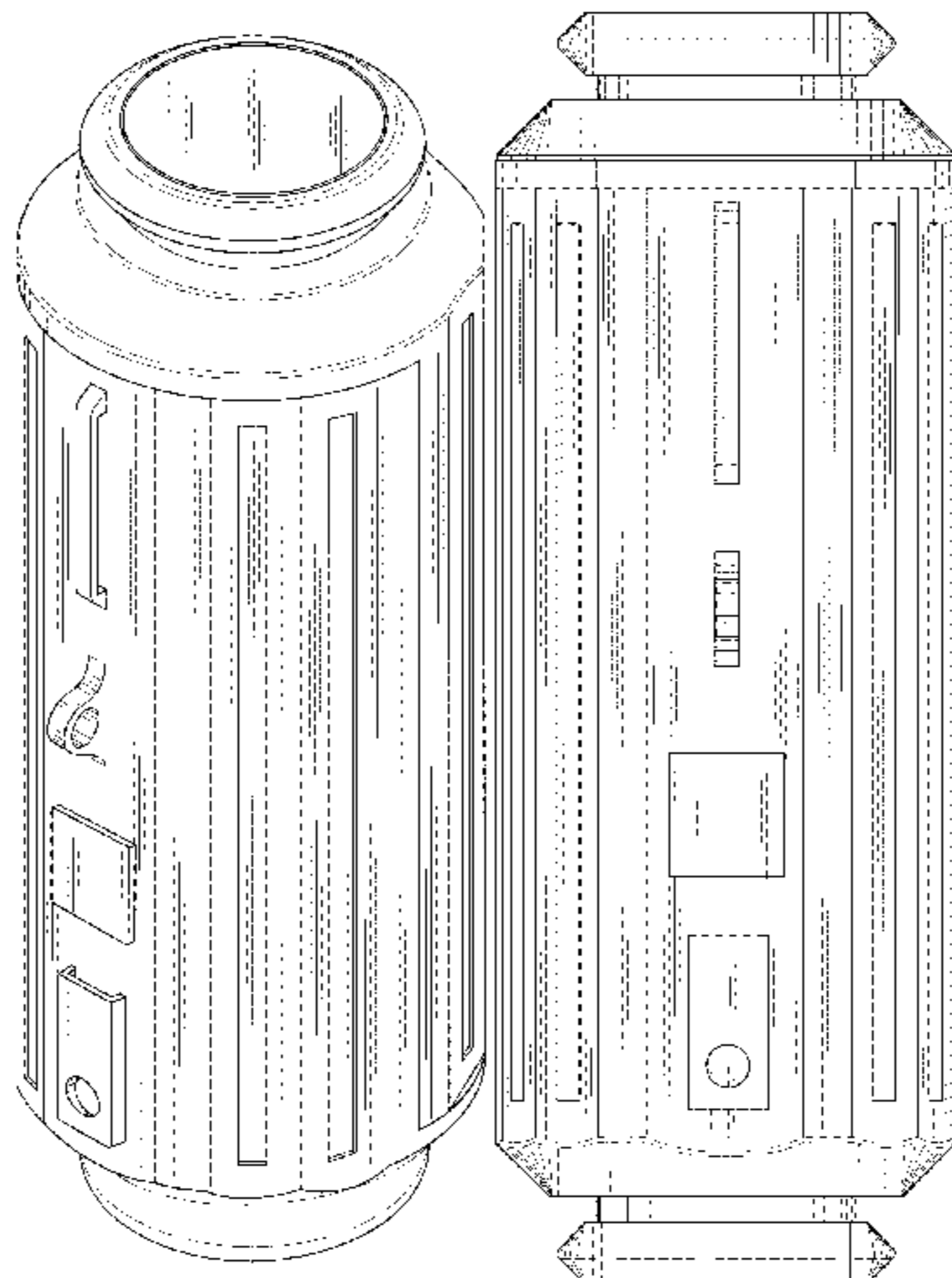
What is claimed the ornamental design for a modular sign assembly, as shown and described.

DESCRIPTION

FIG. 1 is a perceptive view of a modular sign assembly in the closed position that comprises two assembly halves;

FIG. 2 is a front view of the modular sign assembly of FIG. 1;
FIG. 3 is a back view of the modular sign assembly of FIG. 1;
FIG. 4 is a left side view of the modular sign assembly of FIG. 1;
FIG. 5 is a right side view of the modular sign assembly of FIG. 1;
FIG. 6 is a top view of the modular sign assembly of FIG. 1;
FIG. 7 is a bottom view of the modular sign assembly of FIG. 1;
FIG. 8 is a perspective view of one assembly half of the modular sign assembly of FIG. 1;
FIG. 9 is a front view of the assembly half of the modular sign assembly of FIG. 8;
FIG. 10 is a back view of the assembly half of the modular sign assembly of FIG. 8;
FIG. 11 is a left side view of the assembly half of the modular sign assembly of FIG. 8;
FIG. 12 is a right side view of the assembly half of the modular sign assembly of FIG. 8;
FIG. 13 is a top view of the assembly half of the modular sign assembly of FIG. 8;
FIG. 14 is a bottom view of the assembly half of the modular sign assembly of FIG. 8;
FIG. 15 is a perspective view of an assembled modular sign assembly in use;
FIG. 16 is a front view of the assembled modular sign assembly of FIG. 15;
FIG. 17 is a back view of the assembled modular sign assembly of FIG. 15;
FIG. 18 is a left side view of the assembled modular sign assembly of FIG. 15;
FIG. 19 is a right side view of the assembled modular sign assembly of FIG. 15;
FIG. 20 is a top view of the assembled modular sign assembly of FIG. 15; and,
FIG. 21 is a bottom view of the assembled modular sign assembly of FIG. 15.
The broken lines of FIGS. 15-21 illustrate the supports that comprise an assembled sign of the modular sign assembly and are included for the purpose of illustrating the environment of the design only and form no part of the claimed design.

1 Claim, 16 Drawing Sheets



(58) **Field of Classification Search**

USPC 40/368, 446, 452, 453, 488, 538, 541,
40/542, 545-548, 563, 564, 568,
40/570-574, 582, 584, 594, 596, 600,
40/605, 615, 617, 618, 624; 362/217,
362/551, 559, 562, 565, 806, 811, 812;
D30/114-119, 121, 124-127, 128, 133;
D7/509-511, 523; D9/435, 436, 439,
D9/440, 443, 447, 454, 500-575,
D9/738-747; 215/40-55, 235-245,
215/316-364, 370-385; 220/4.01-4.34,
220/560.09, 566, 568, 569, 574-575,
220/592.13-592.19, 703-719
CPC G09F 7/16; G09F 2007/122; G09F 13/00;
G09F 13/04; G09F 13/06; G09F 13/18;
G09F 13/22; G09F 13/24; G09F 13/26;
G09F 2013/1895; G09F 15/00; B65D
1/00; B65D 1/02; B65D 1/0223; B65D
1/023; B65D 1/0276

See application file for complete search history.

(56)

References Cited

U.S. PATENT DOCUMENTS

D355,368 S * 2/1995 Gruodis D9/555
D386,536 S * 11/1997 Borgen D20/10
D494,815 S * 8/2004 Bodum D7/510
D590,022 S * 4/2009 Misumi G09F 15/0012
D20/28
D592,455 S * 5/2009 Germann D7/510
D595,584 S * 7/2009 Yamamoto D9/529
D606,447 S * 12/2009 West D11/80
D678,628 S * 3/2013 Krueger D30/127
RE45,715 E * 10/2015 Krueger D30/127
D772,454 S * 11/2016 Ma D26/31
9,633,585 B1 * 4/2017 Hanes G09F 15/0012
10,017,312 B2 * 7/2018 Oguchi B65D 79/005
D858,005 S * 8/2019 Nifong D30/124

* cited by examiner

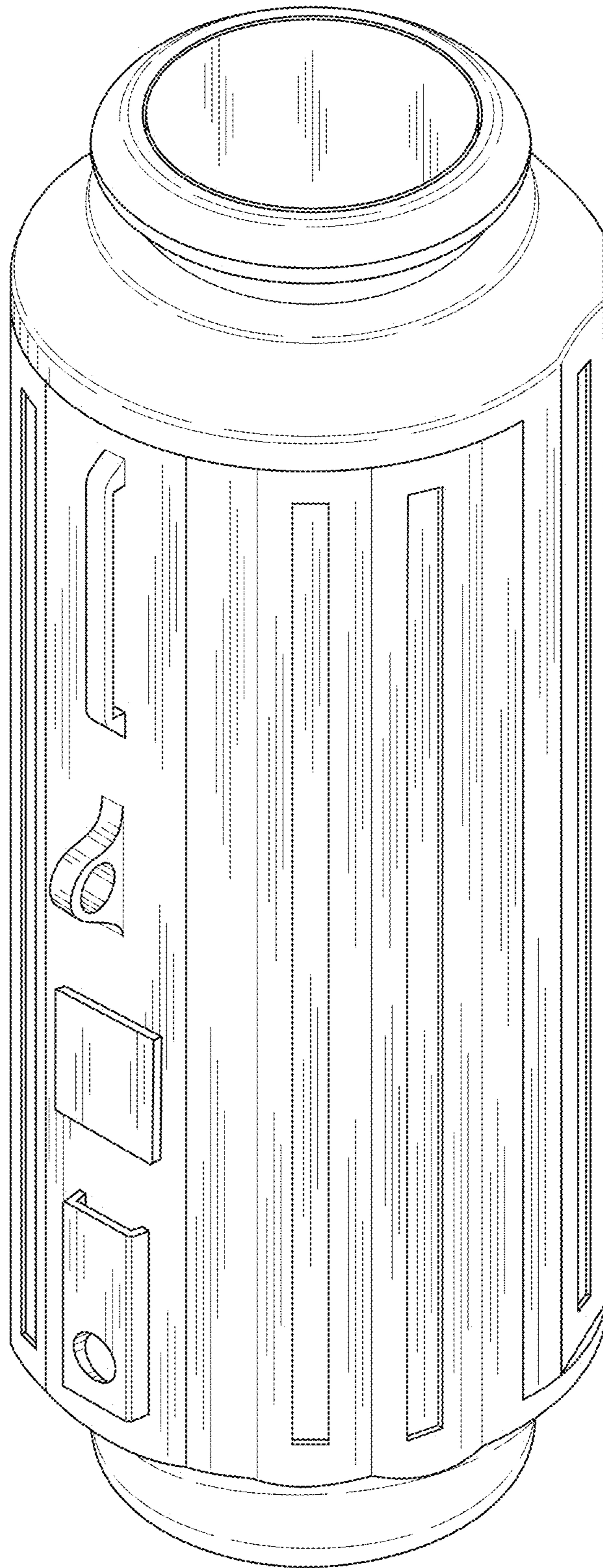


Fig. 1

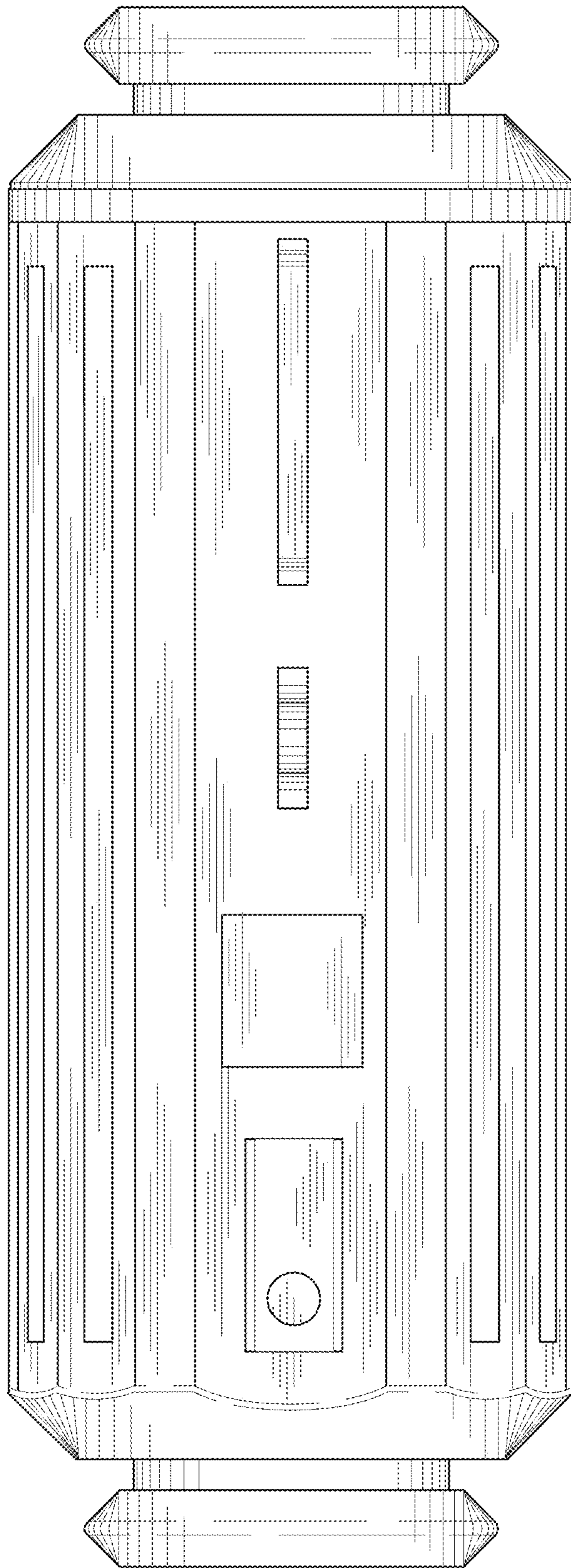


Fig. 2

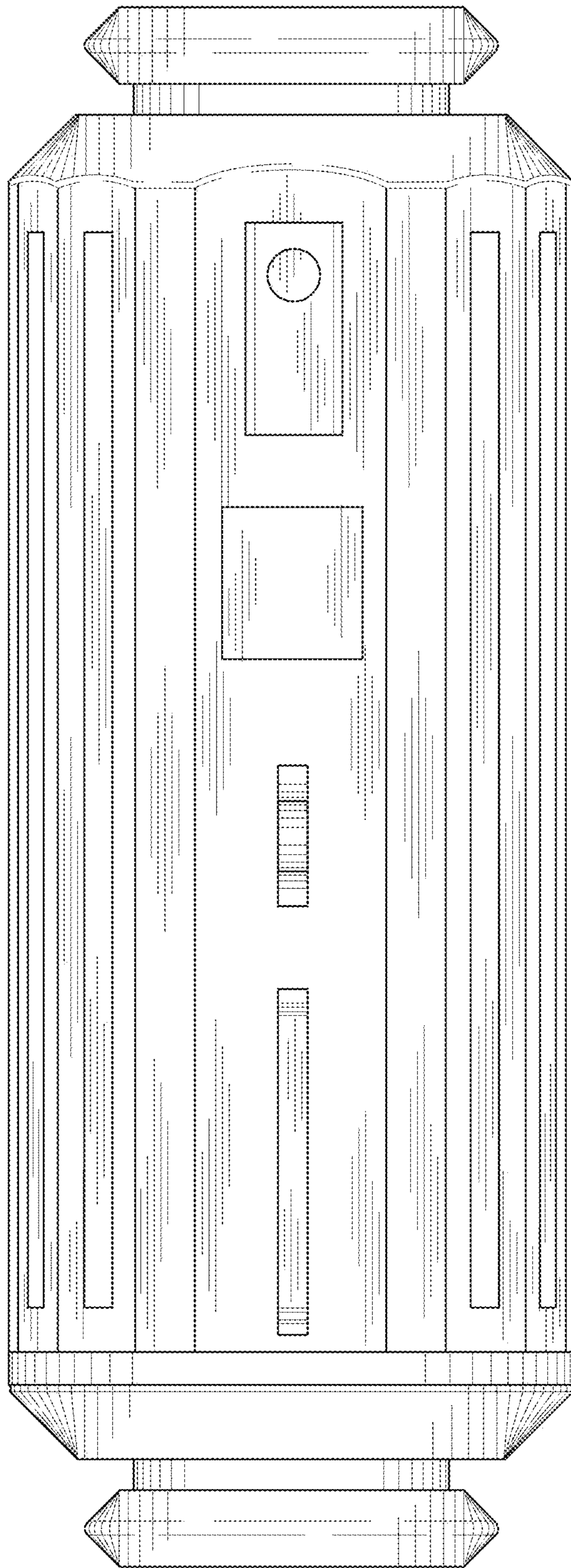


Fig. 3

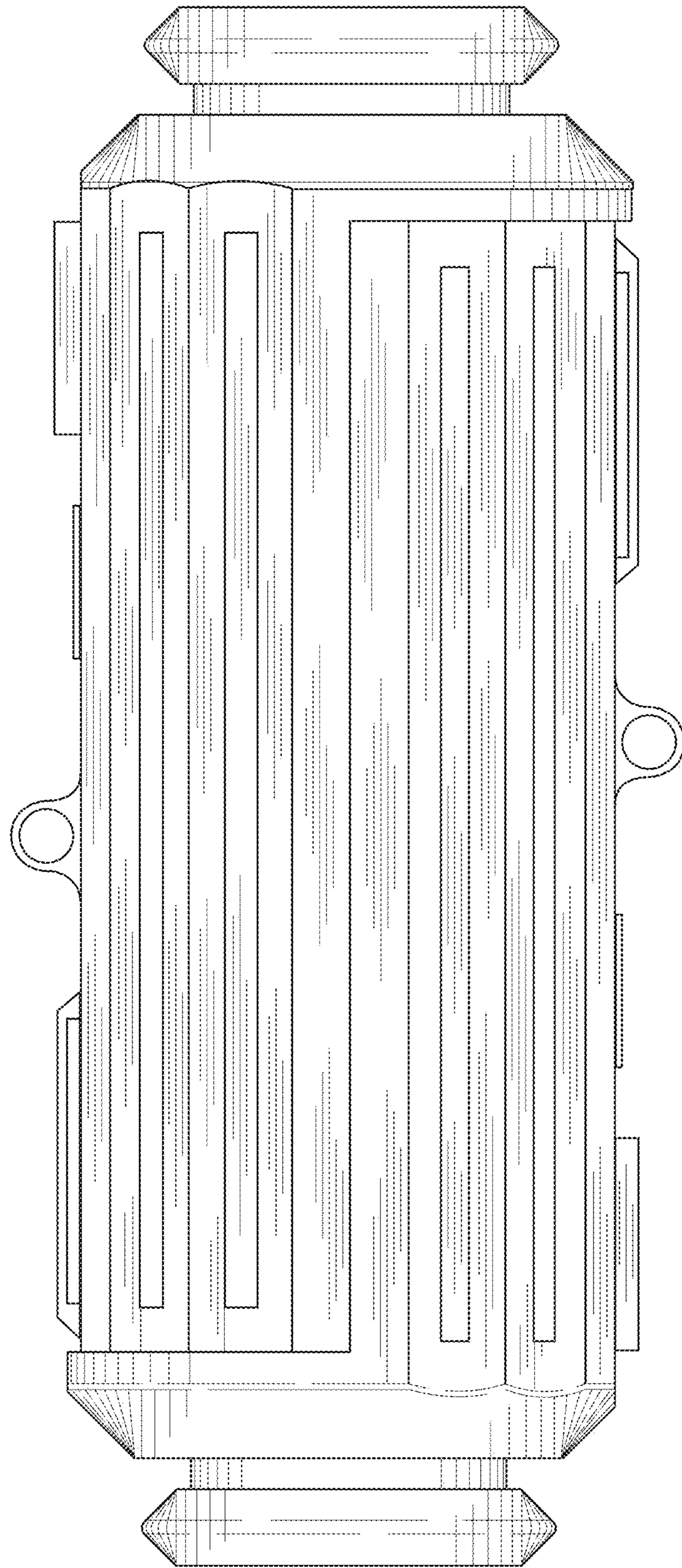


Fig.4

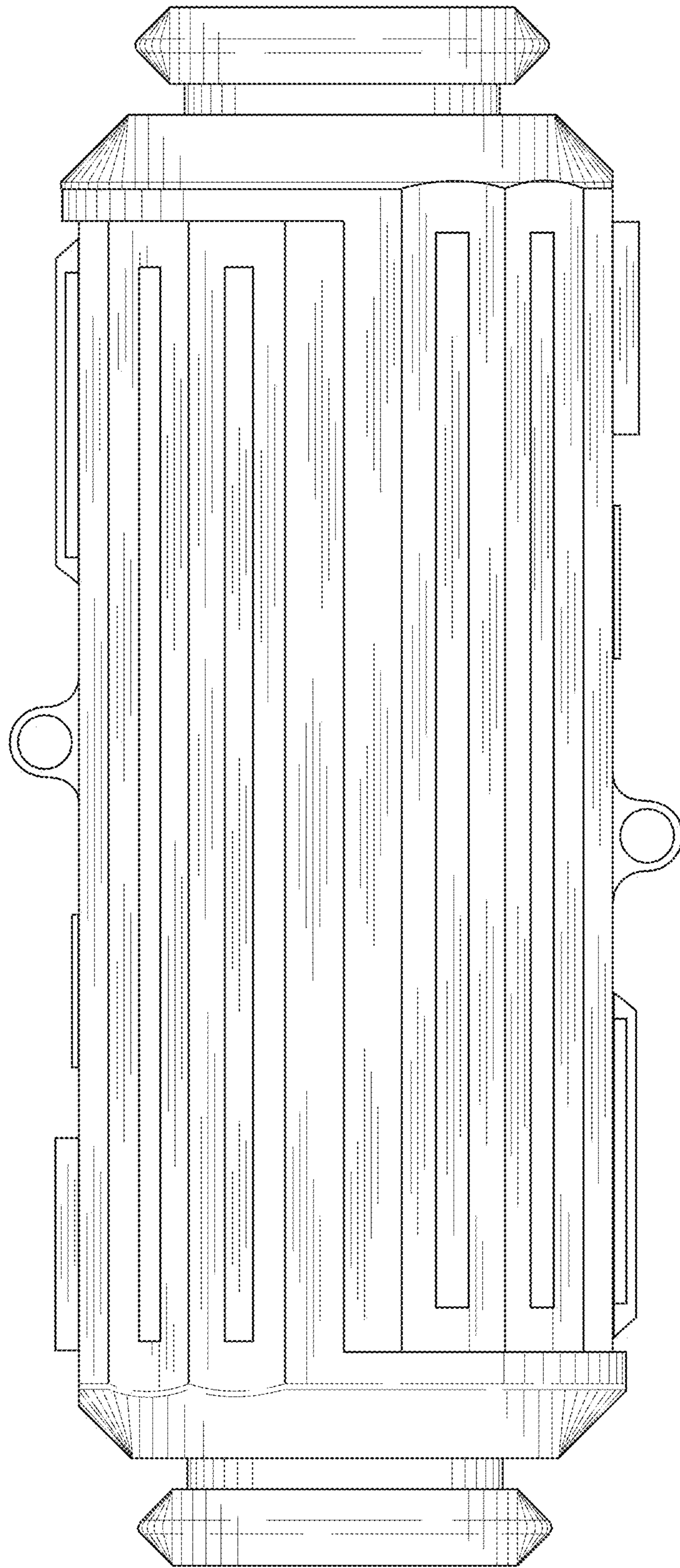


Fig.5

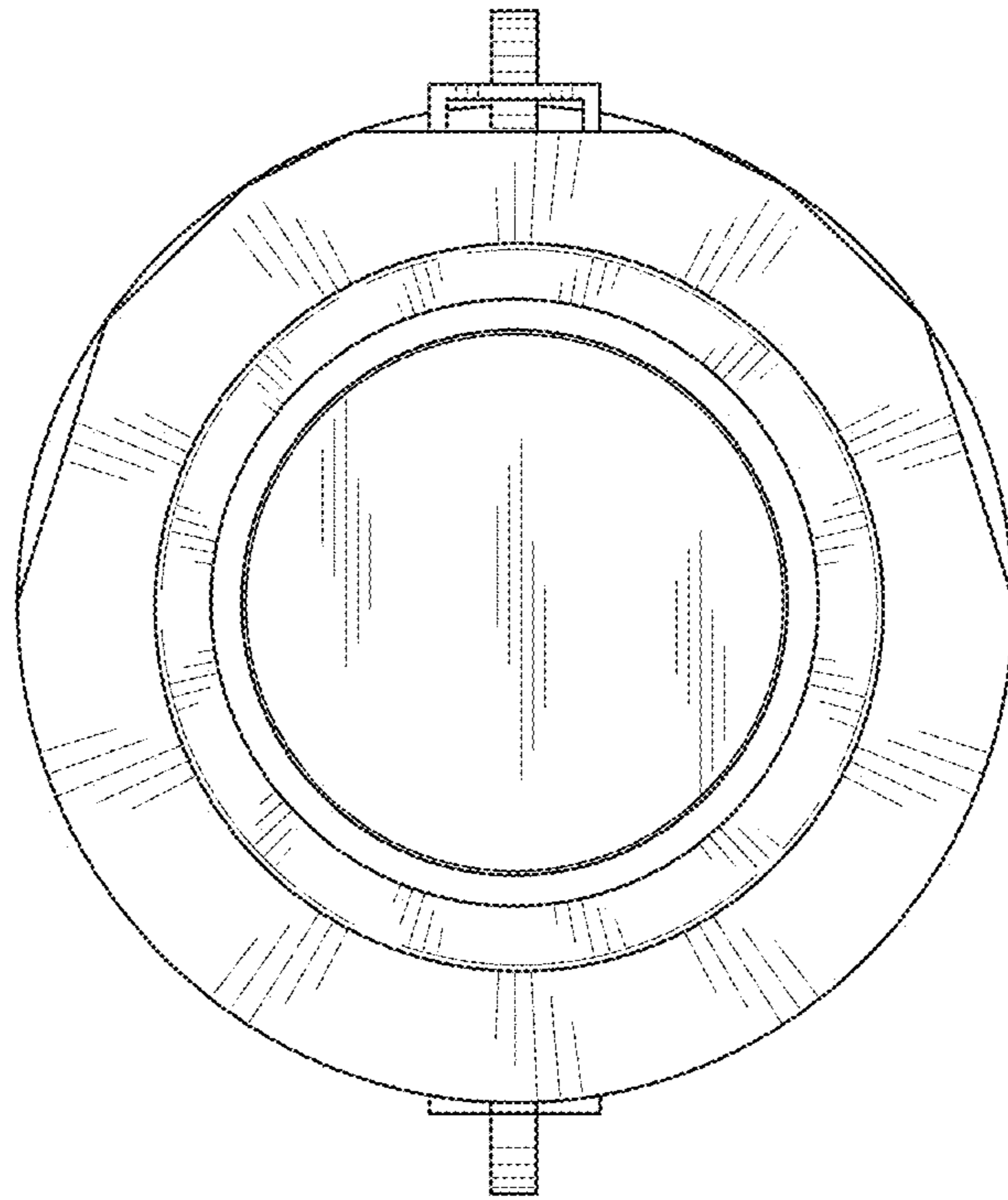


Fig. 6

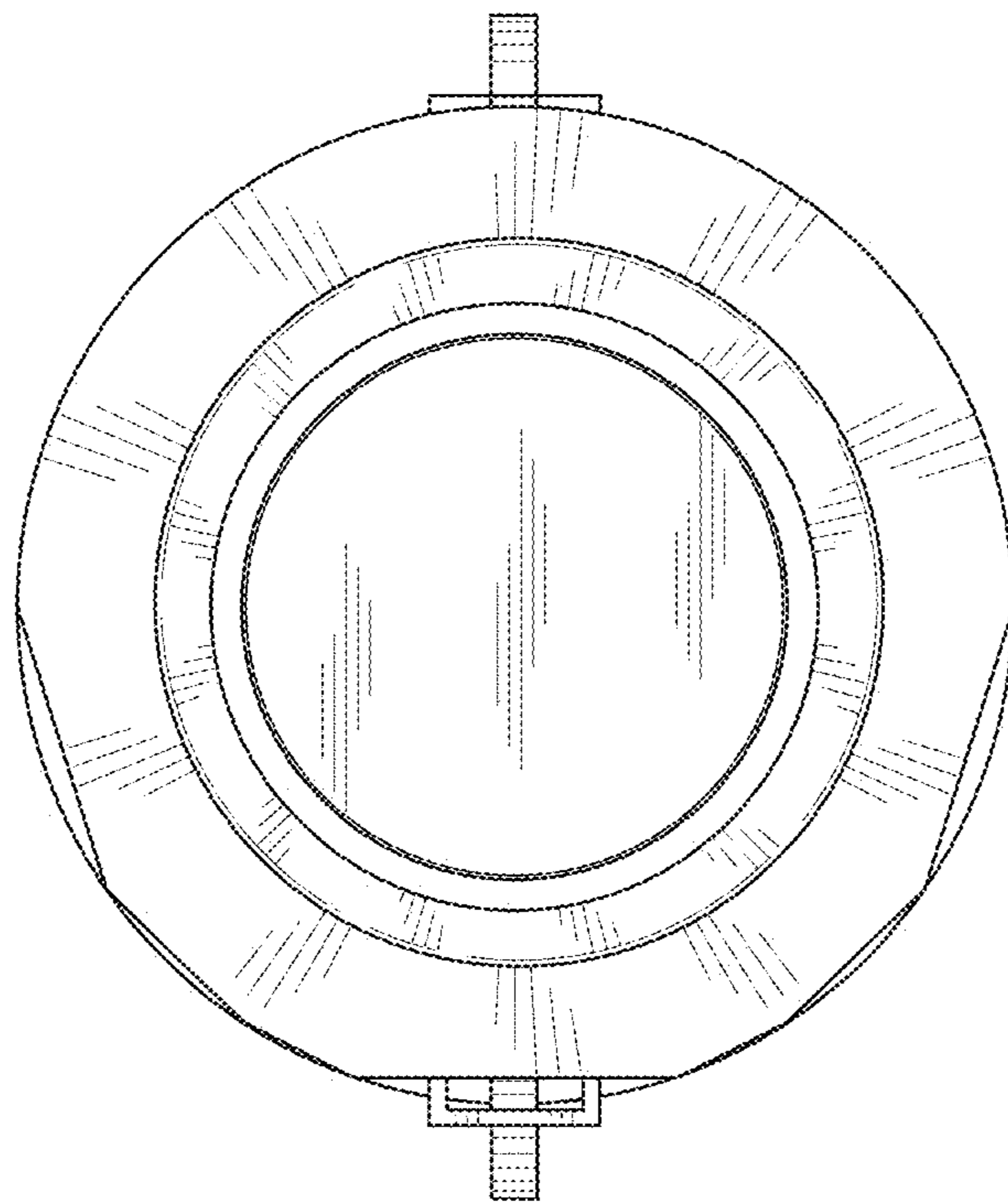


Fig. 7

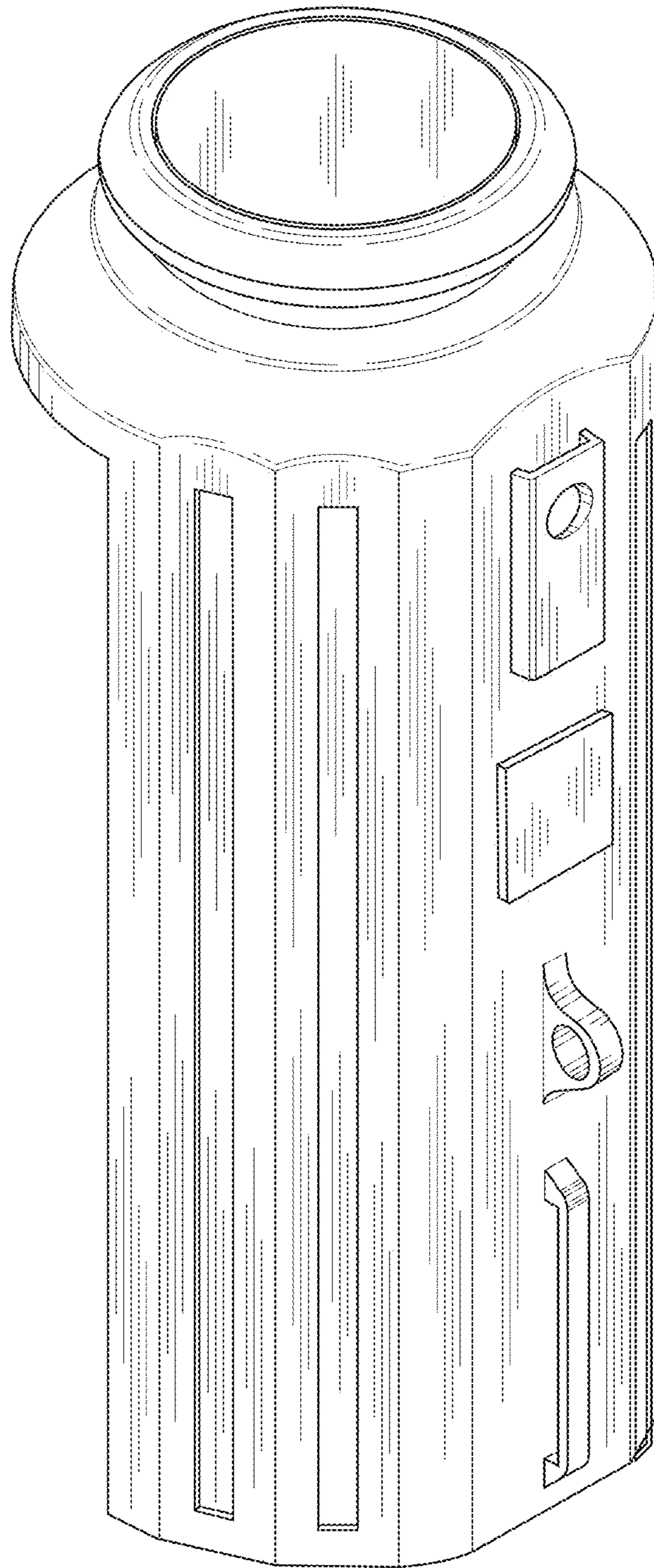


Fig.8

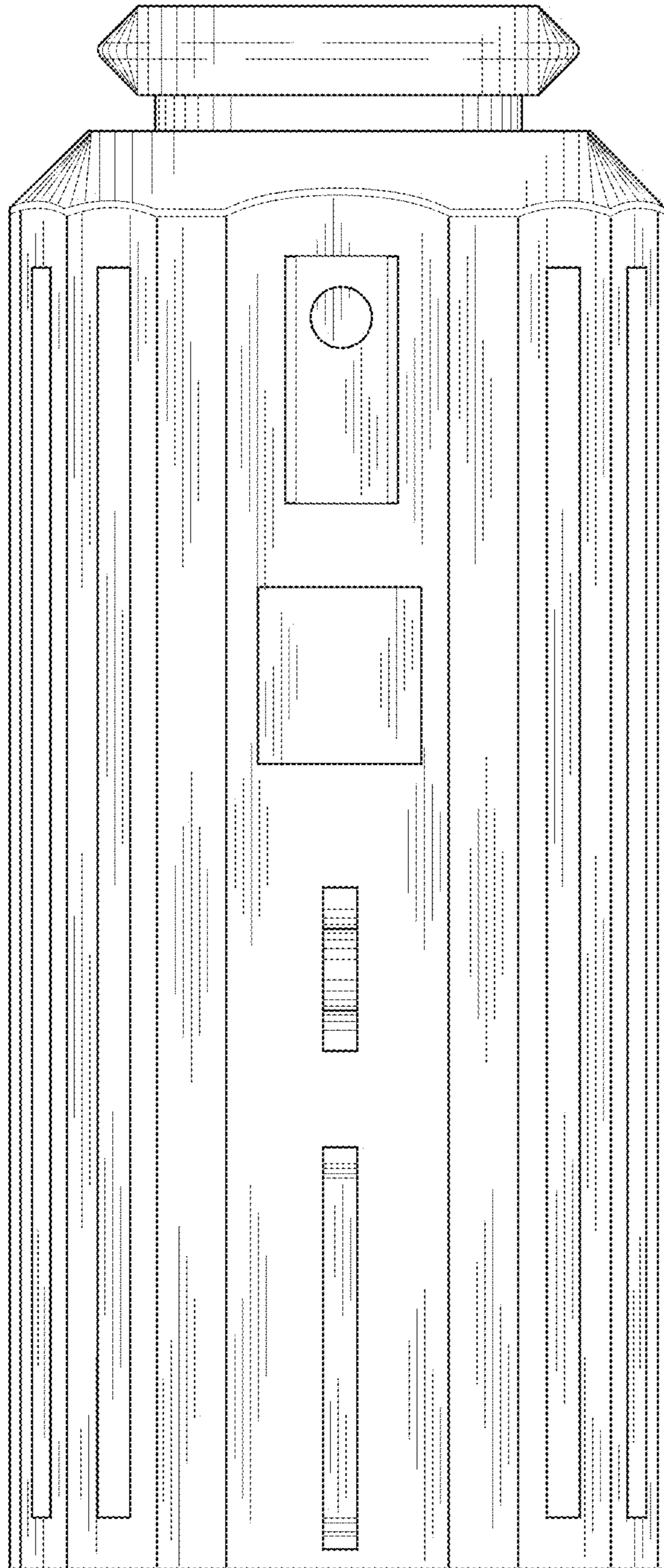


Fig. 9

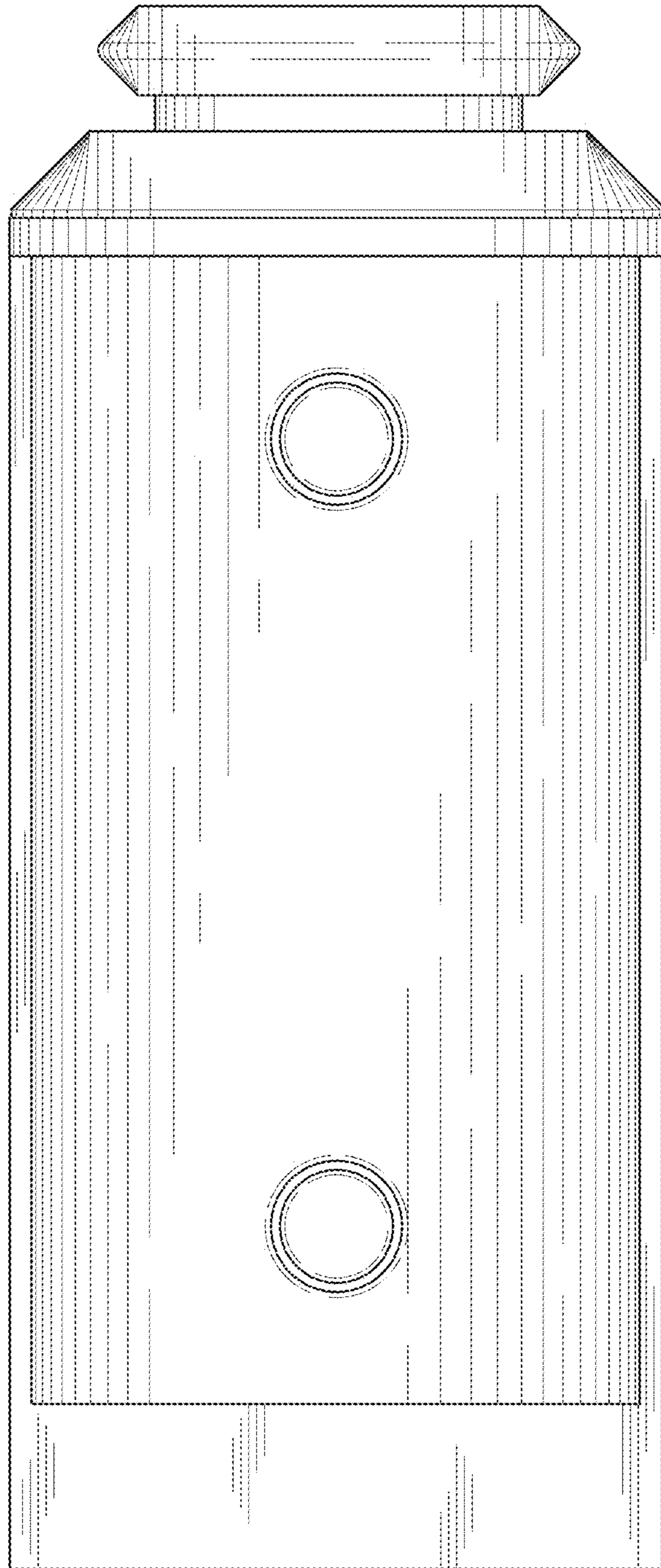


Fig10

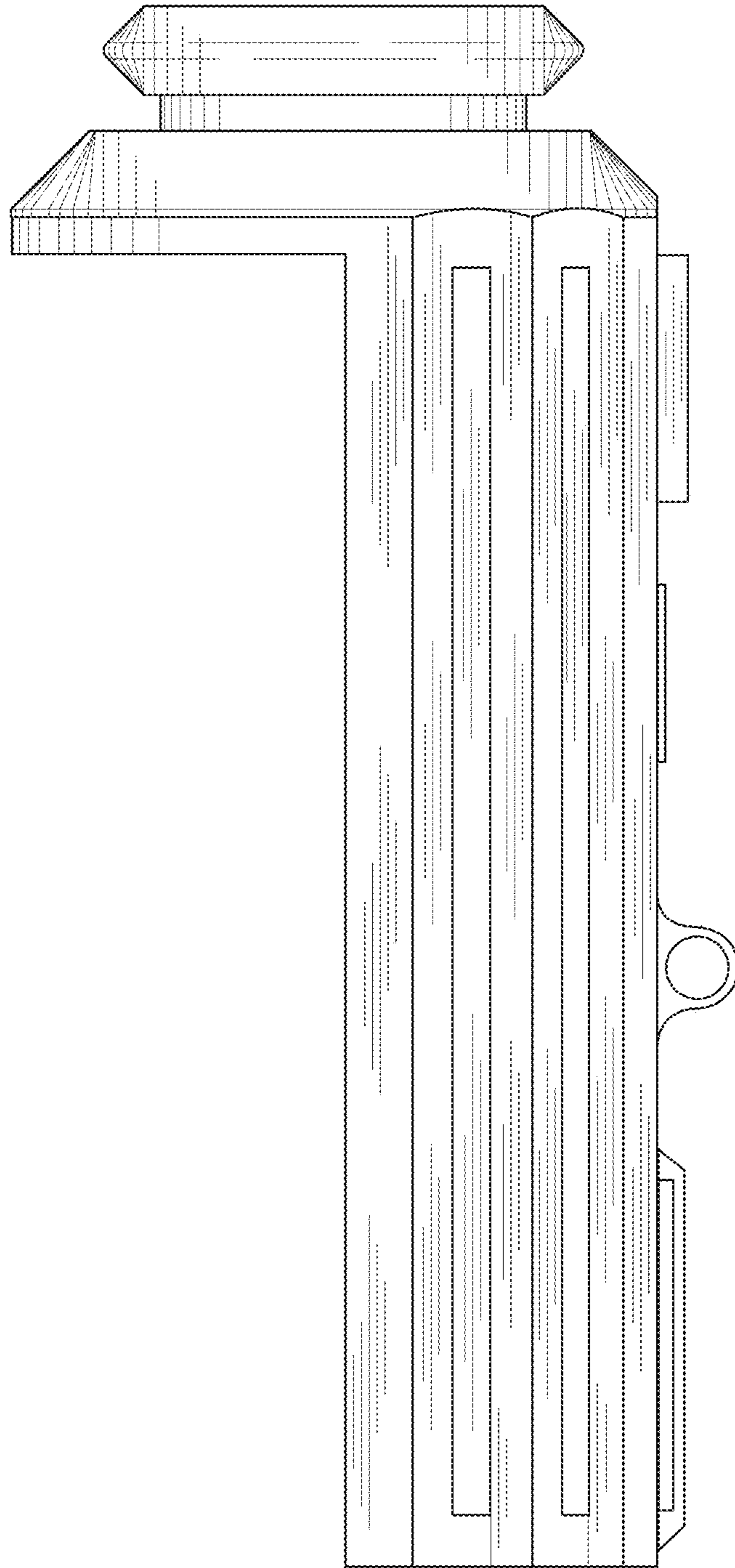


Fig11

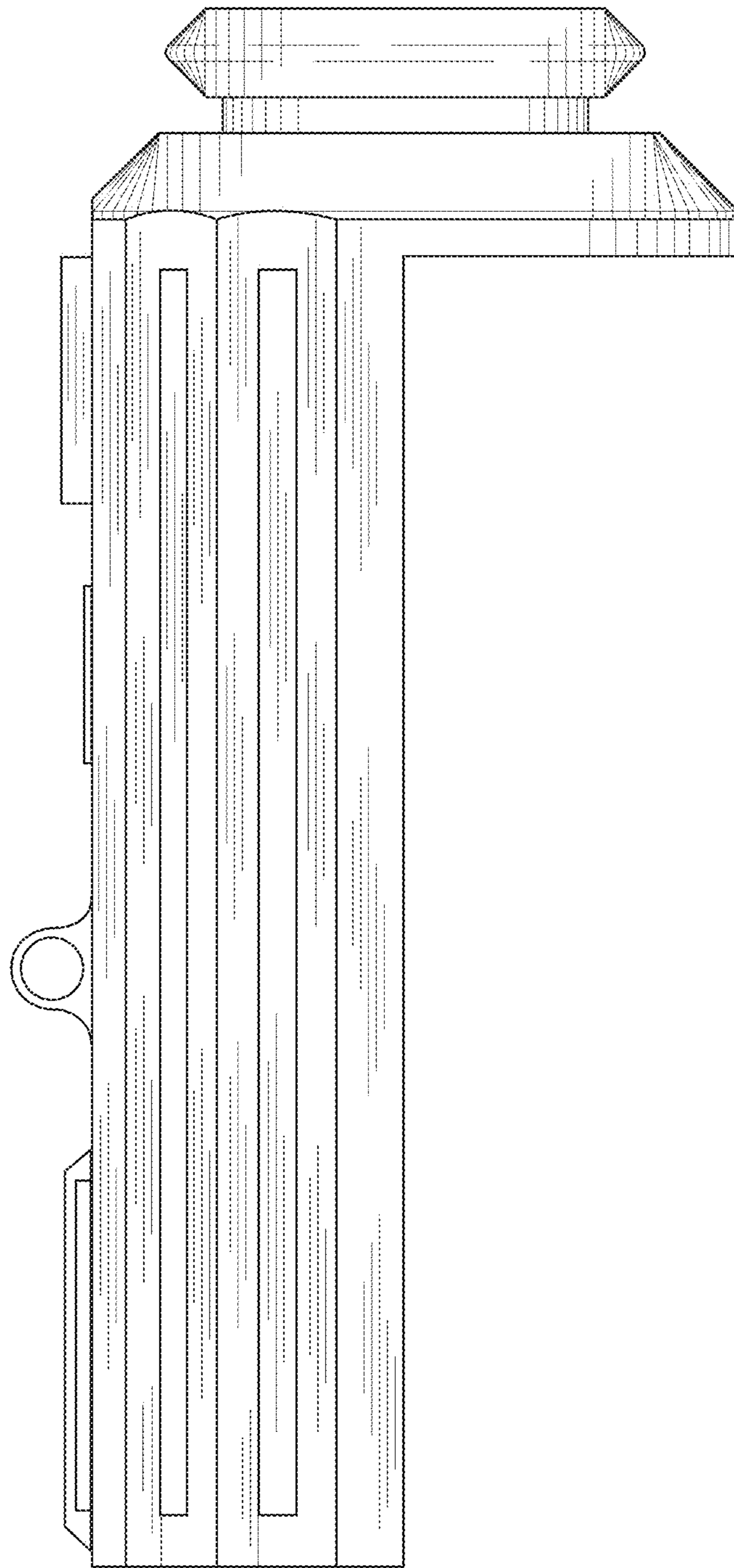


Fig12

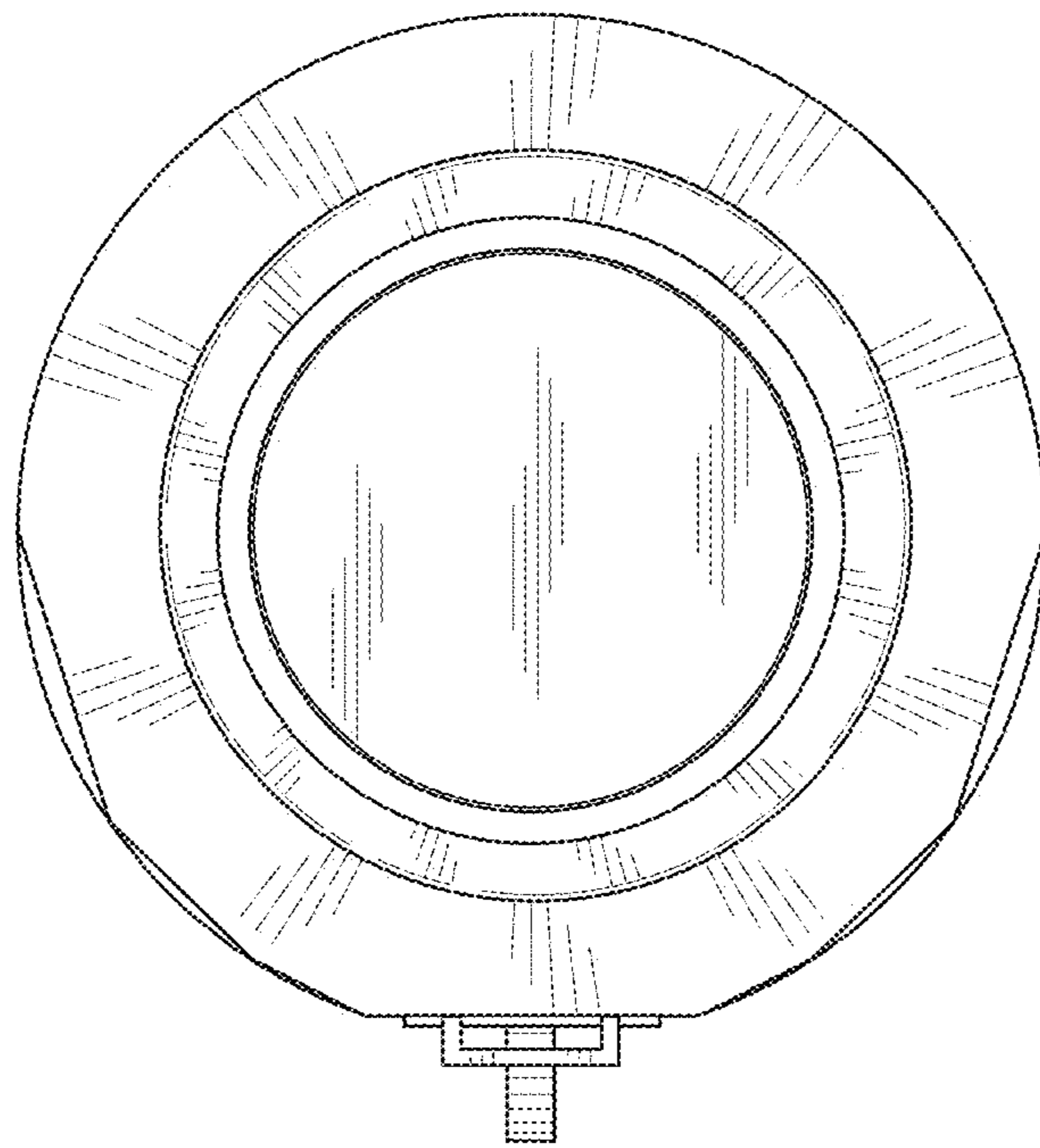


Fig.13

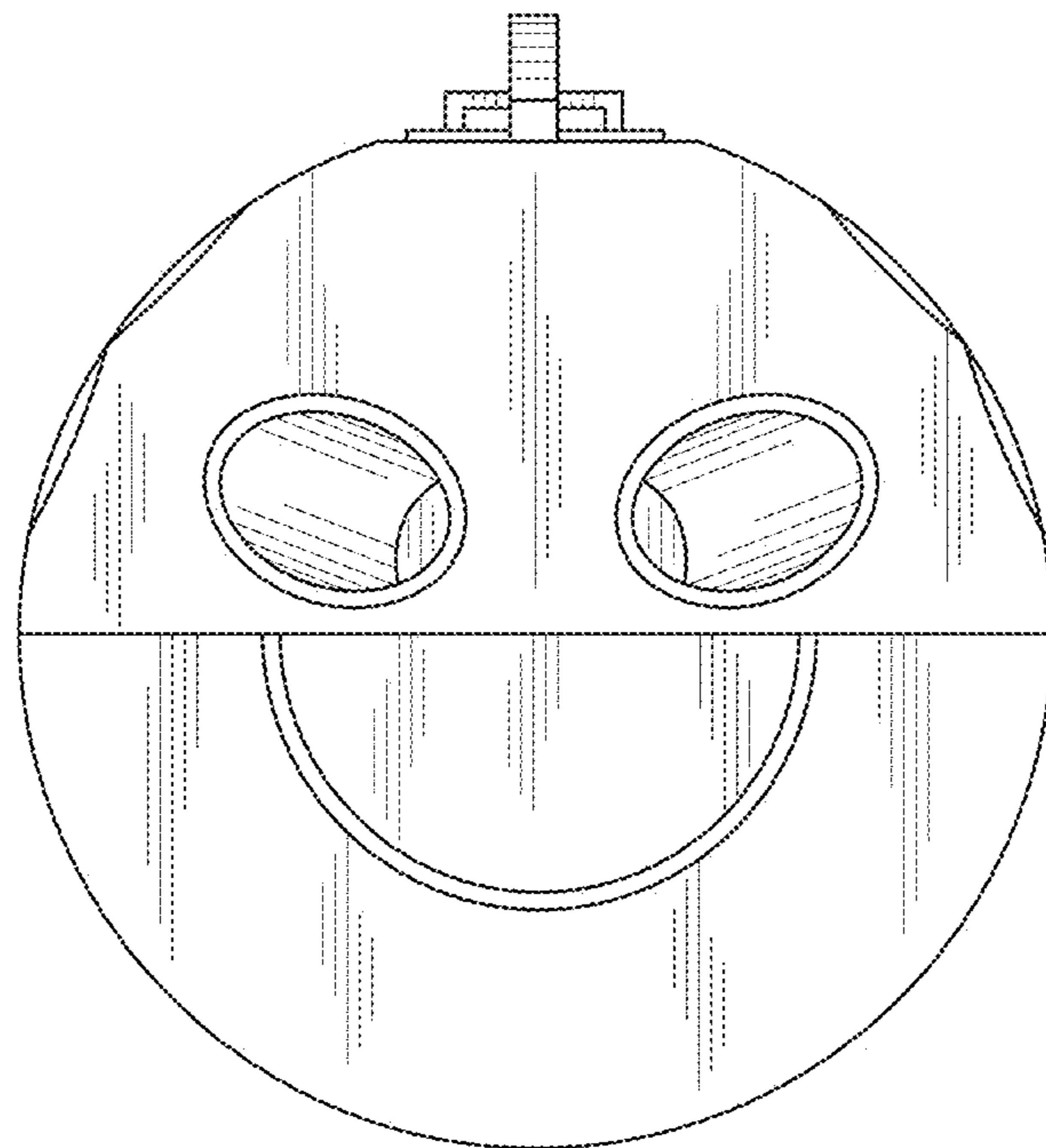


Fig.14

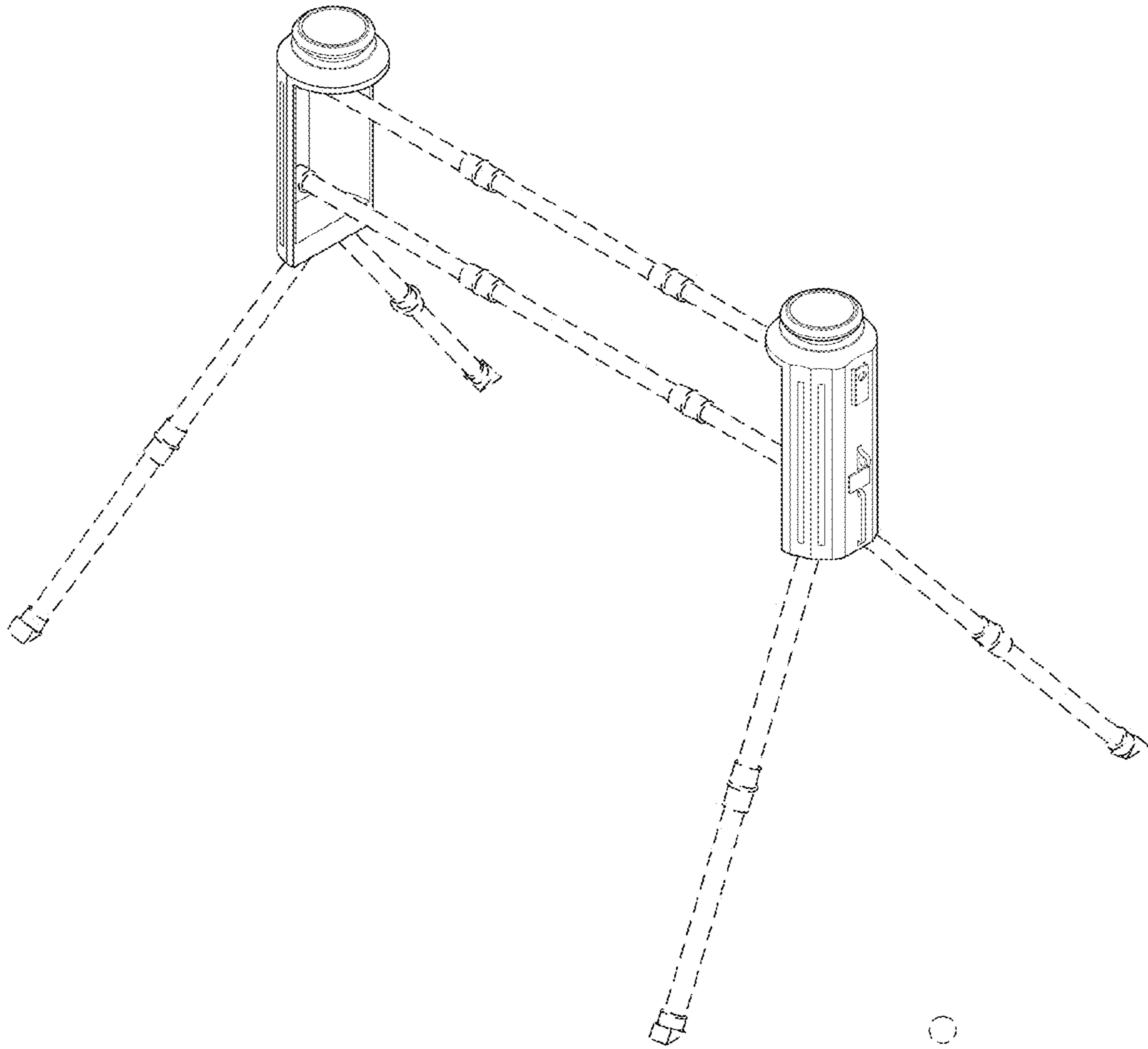


Fig.15



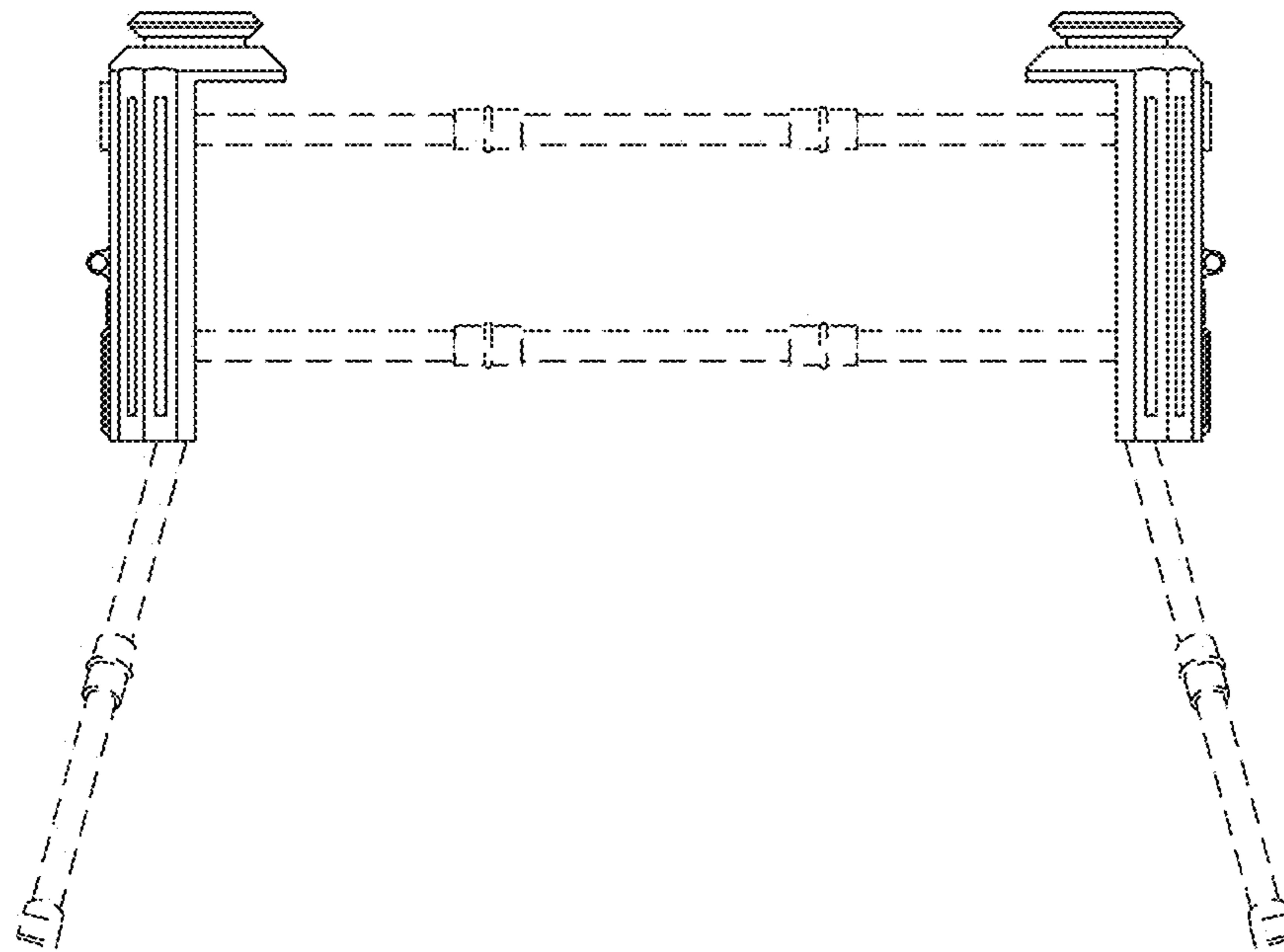


Fig.16

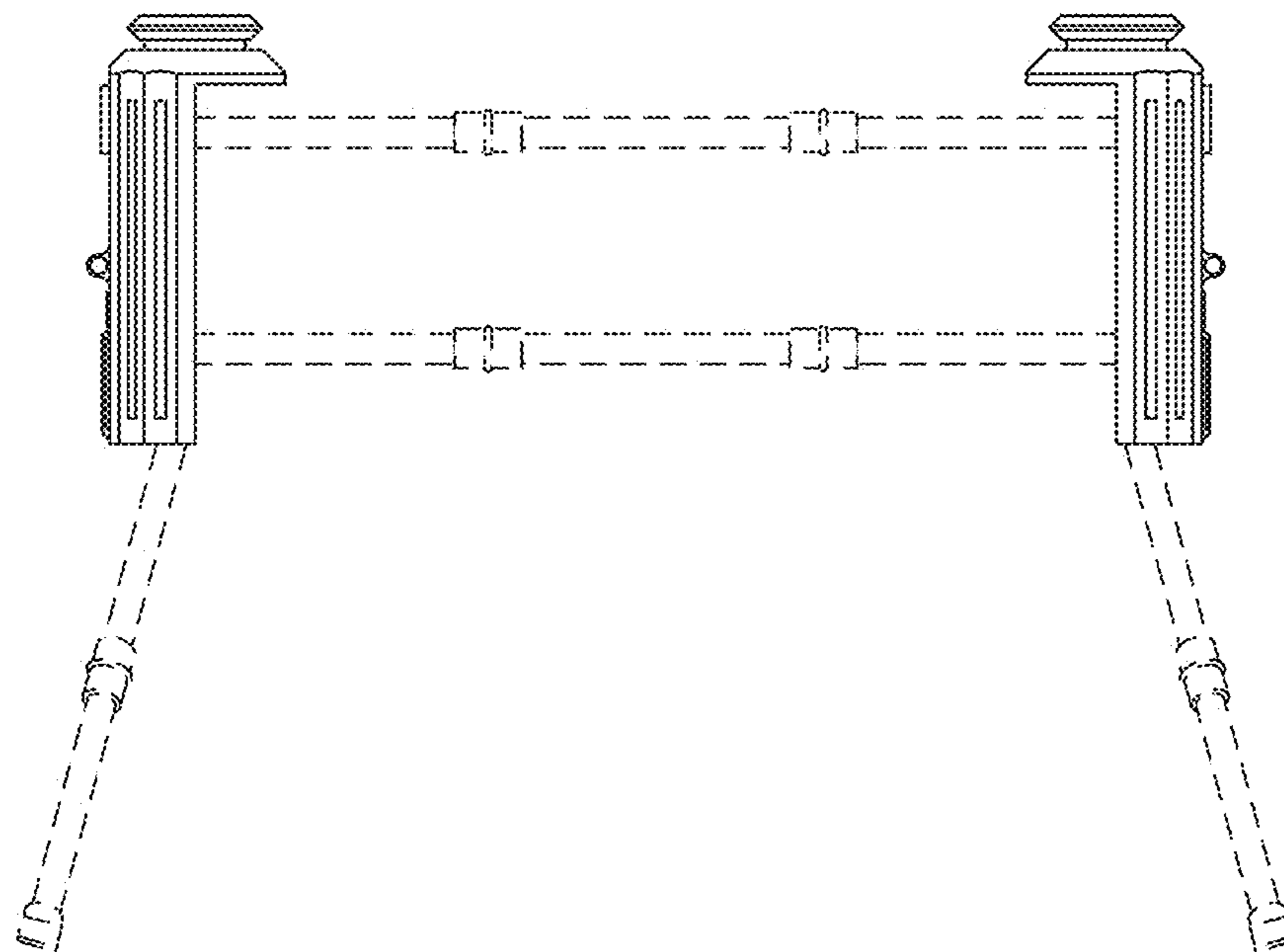
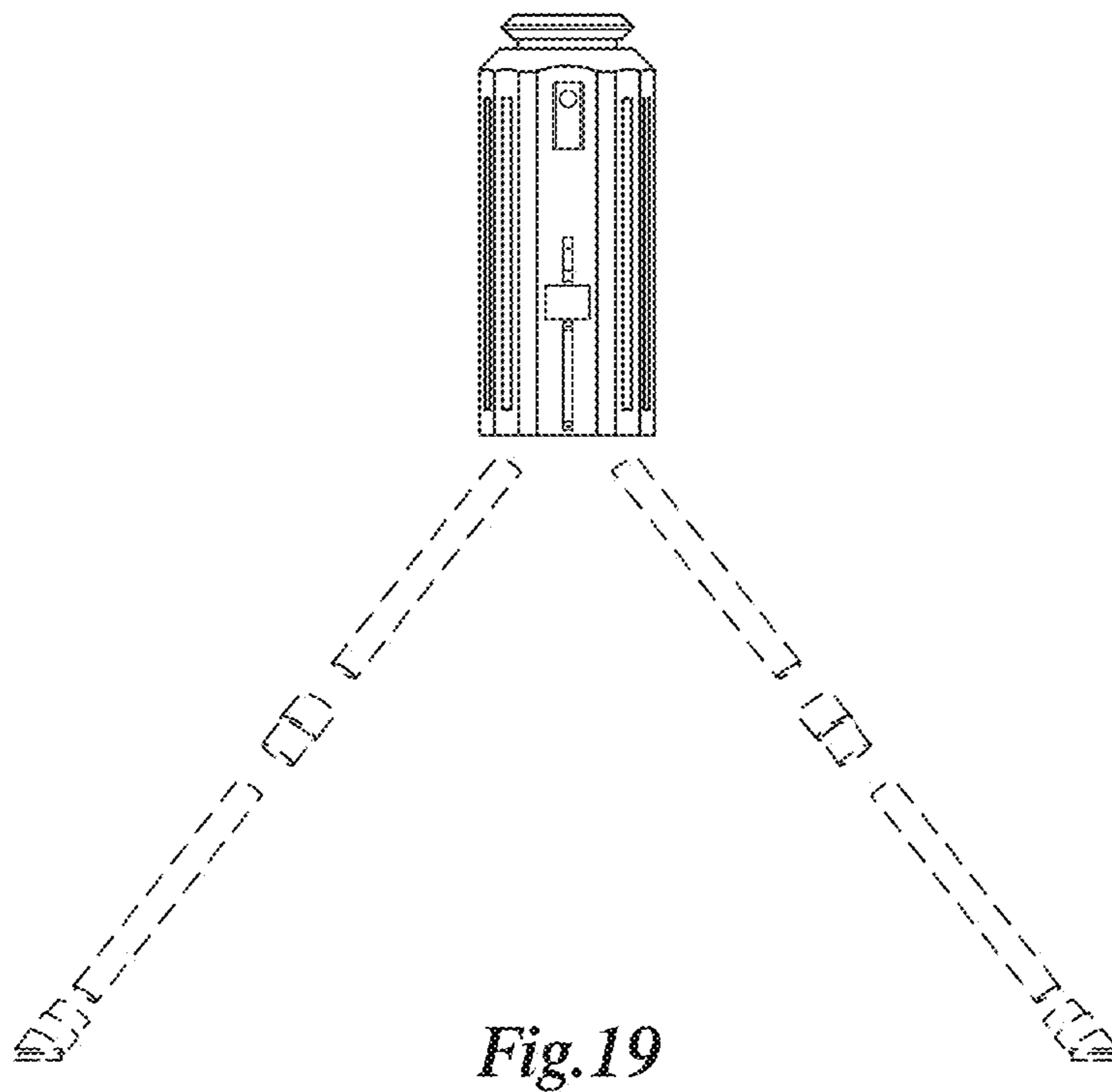
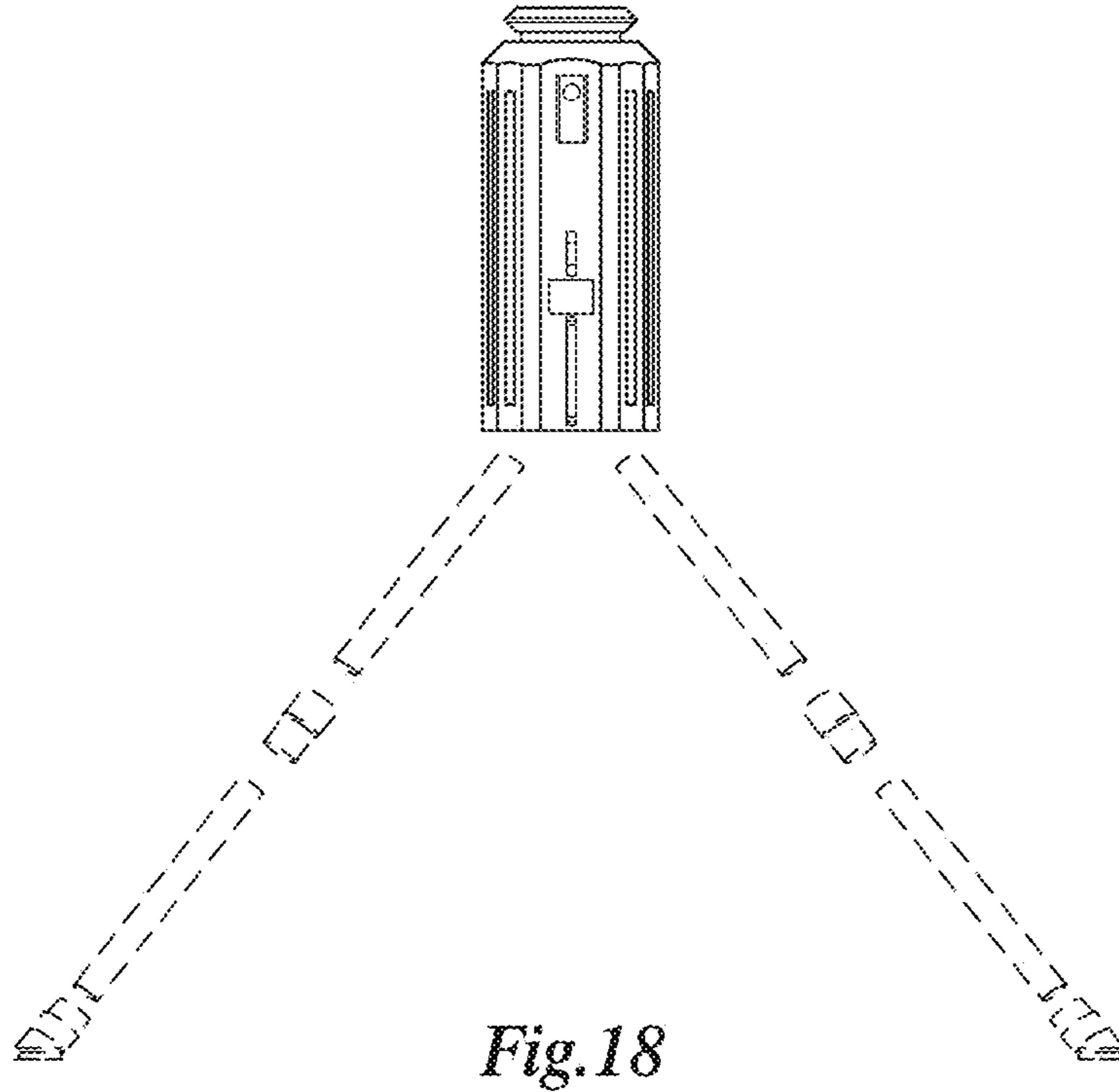


Fig.17



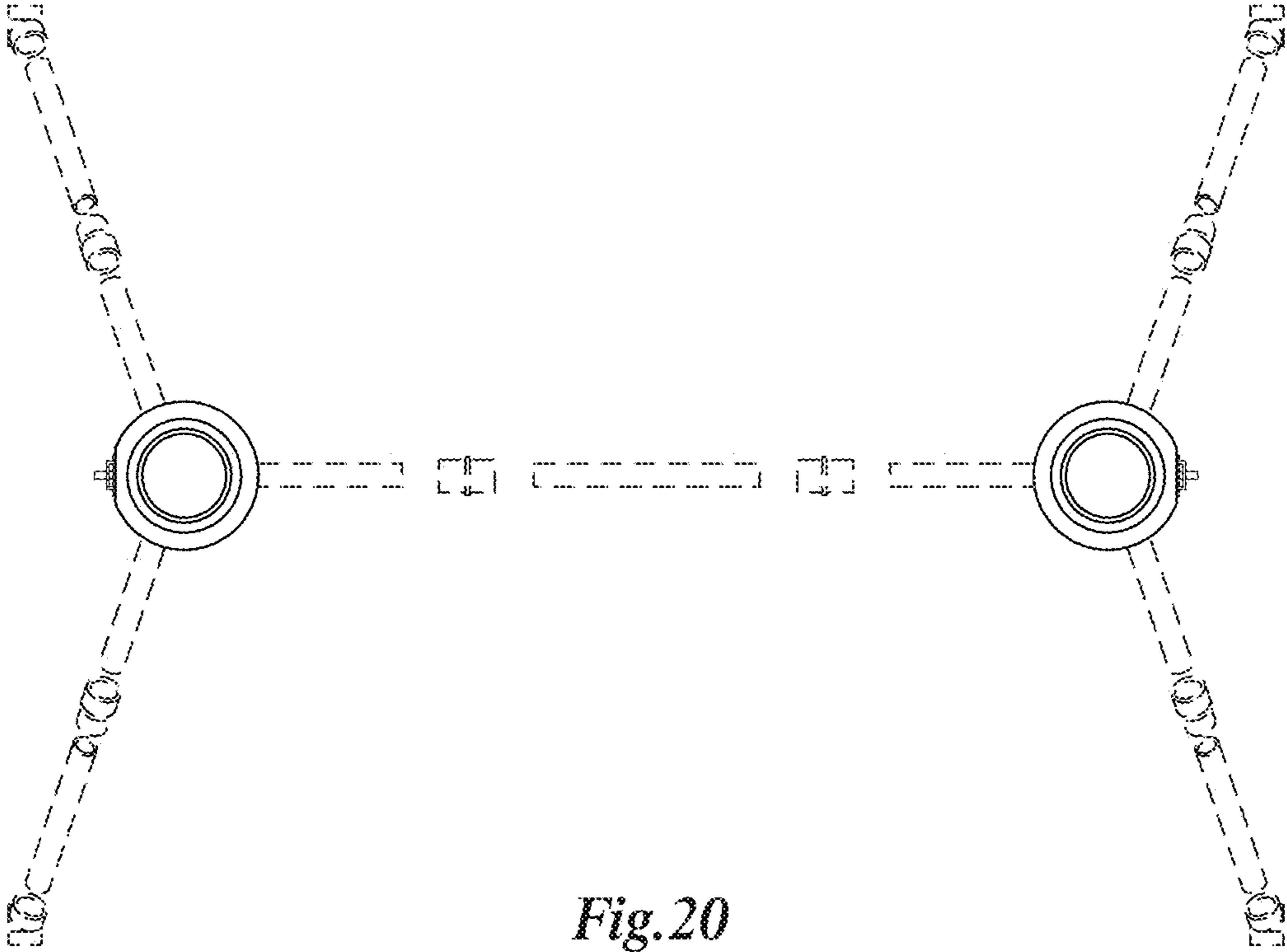


Fig. 20

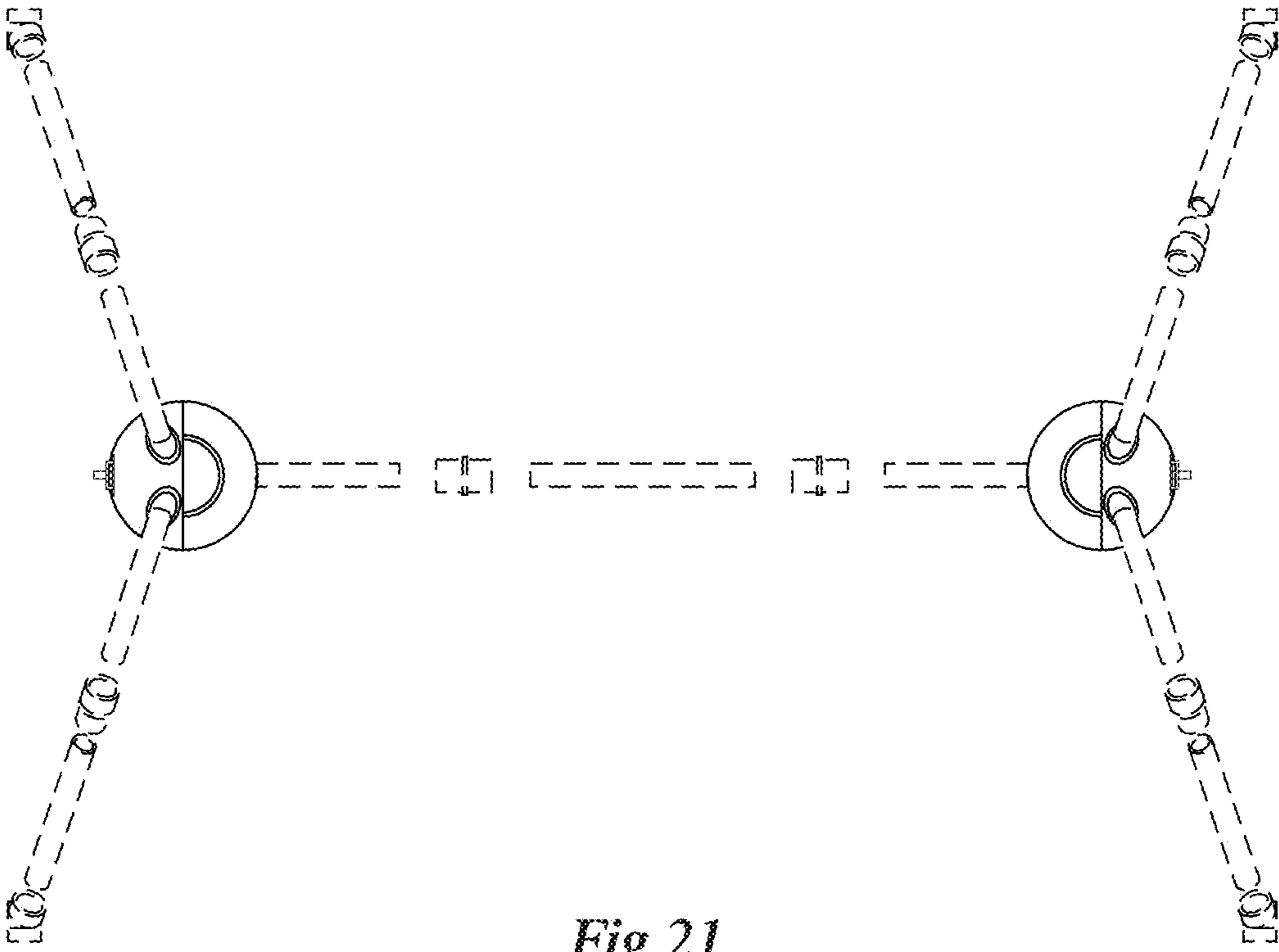


Fig. 21