



US00D880588S

(12) **United States Design Patent**  
**Casias et al.**

(10) **Patent No.:** **US D880,588 S**

(45) **Date of Patent:** **\*\* Apr. 7, 2020**

- (54) **LOTTERY PEN**
- (71) Applicants: **Zulema I. Casias**, San Antonio, TX  
(US); **Angel Quillo**, San Antonio, TX  
(US)
- (72) Inventors: **Zulema I. Casias**, San Antonio, TX  
(US); **Angel Quillo**, San Antonio, TX  
(US)
- (\*\*) Term: **15 Years**
- (21) Appl. No.: **29/651,364**
- (22) Filed: **Jun. 14, 2018**
- (51) **LOC (12) Cl.** ..... **19-06**
- (52) **U.S. Cl.**  
USPC ..... **D19/131**; D19/906; D19/915
- (58) **Field of Classification Search**  
USPC ..... D19/115–204; D14/411  
CPC . B43K 5/005; B43K 7/12; B43K 8/04; B43K  
8/06; B43K 19/00; B43K 19/02; B43K  
19/14; B43K 21/006; B43K 21/06; A63F  
3/0605; A63F 3/068  
See application file for complete search history.

- (56) **References Cited**  
U.S. PATENT DOCUMENTS  
1,830,102 A \* 11/1931 Felsenthal ..... G09F 23/00  
40/334  
2,191,662 A \* 2/1940 Huffaker ..... B43K 29/007  
40/334  
D379,472 S \* 5/1997 Smith ..... D19/131  
D403,017 S \* 12/1998 Barrozo ..... D19/131

- 6,120,023 A \* 9/2000 Lai ..... A63F 7/048  
273/144 B
- 6,742,953 B2 \* 6/2004 Burden ..... B43K 29/007  
401/192
- 6,848,851 B2 \* 2/2005 Yokouchi ..... B43K 7/005  
401/6
- D508,081 S \* 8/2005 Qiu ..... D19/172
- 7,236,994 B2 \* 6/2007 Bhavnani ..... B43K 29/00  
708/107
- D557,743 S \* 12/2007 Waldinger ..... D19/174
- D591,345 S \* 4/2009 Yu ..... D19/121
- 9,199,161 B2 \* 12/2015 Sawaya ..... A63F 3/068
- D766,508 S \* 9/2016 Wang ..... D24/133
- 9,833,053 B1 \* 12/2017 Williams ..... A61B 17/54
- 10,343,446 B2 \* 7/2019 Wakayama ..... B43K 21/16
- 2015/0150353 A1 \* 6/2015 Yiu ..... A45D 29/05  
132/75.6

\* cited by examiner

*Primary Examiner* — Elizabeth A. Albert

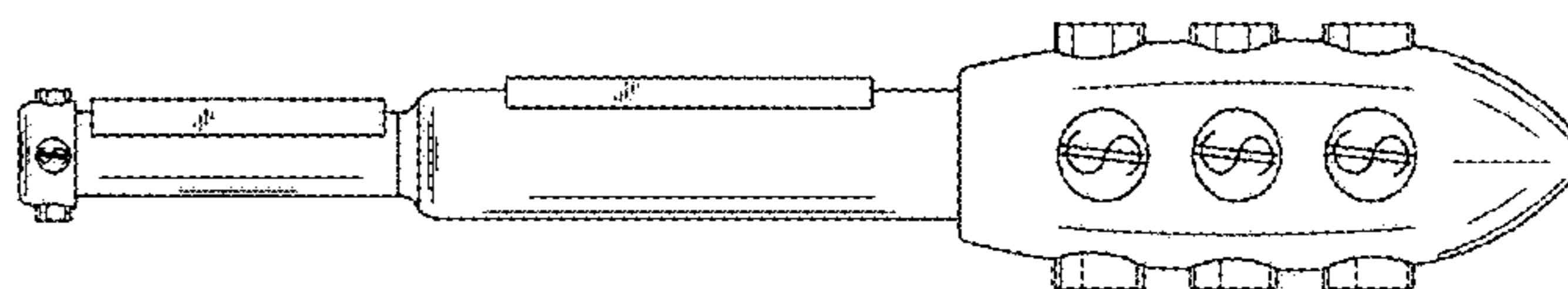
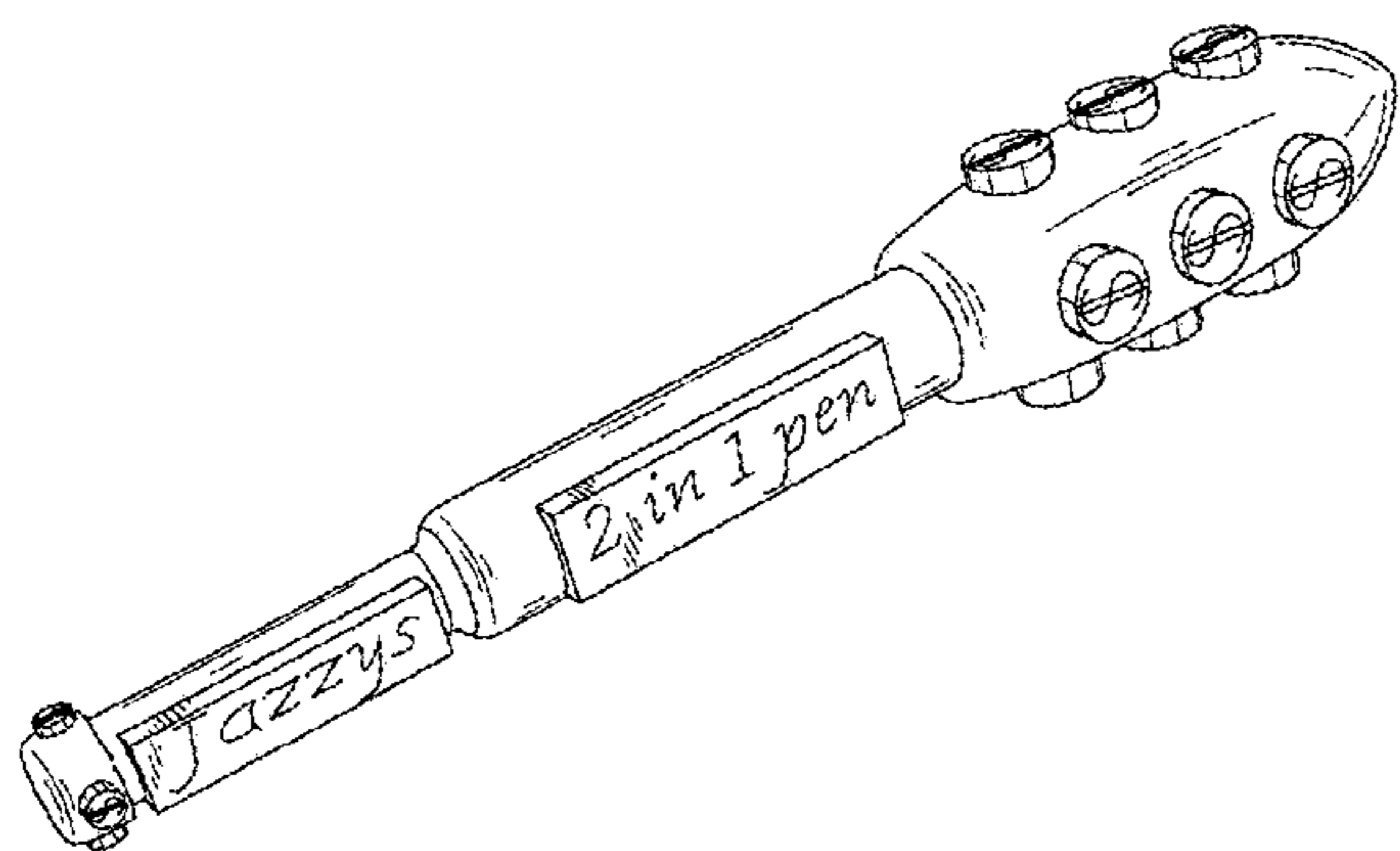
(57) **CLAIM**

The ornamental design for a lottery pen, as shown and described.

**DESCRIPTION**

FIG. 1 is a perspective view of the lottery pen of our new design.  
 FIG. 2 is a front elevational view thereof.  
 FIG. 3 is a back elevational view thereof.  
 FIG. 4 is a top plan view thereof.  
 FIG. 5 is a bottom plan view thereof.  
 FIG. 6 is an elevational view of the right side thereof; and,  
 FIG. 7 is an elevational view of the left side thereof.

**1 Claim, 6 Drawing Sheets**



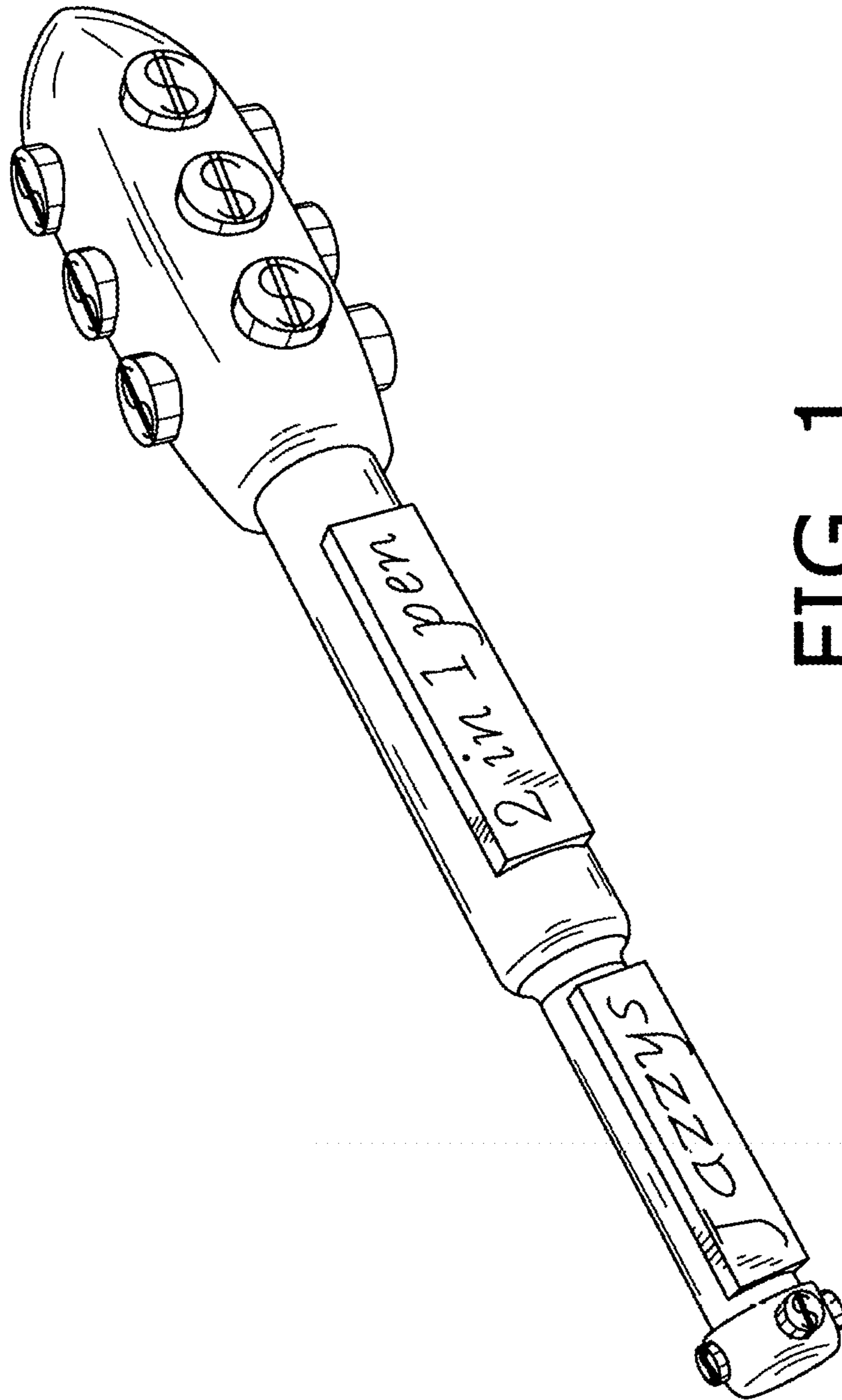


FIG. 1

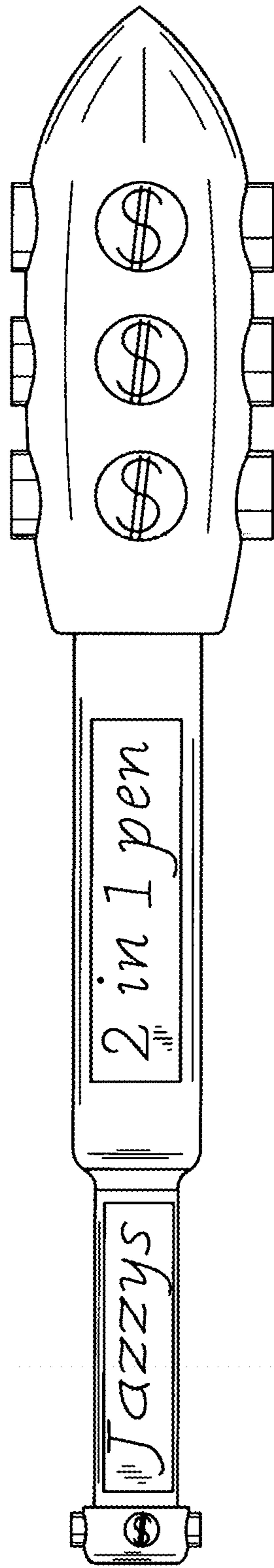


FIG. 2

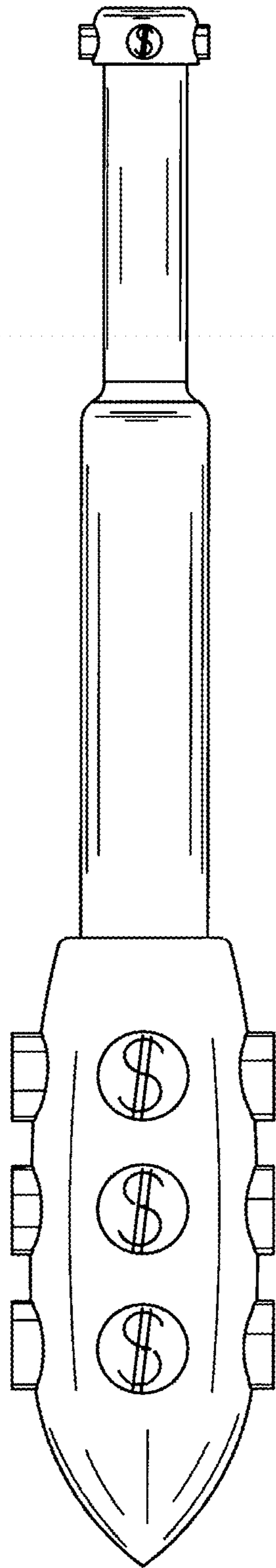


FIG. 3

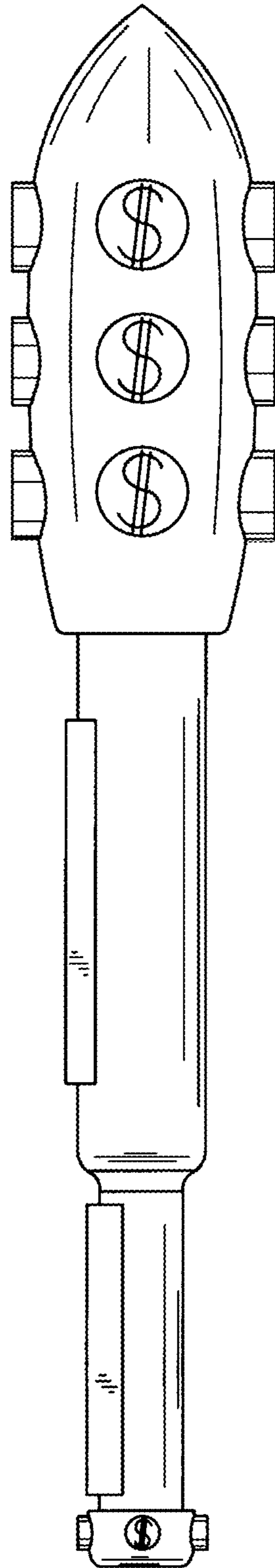


FIG. 4

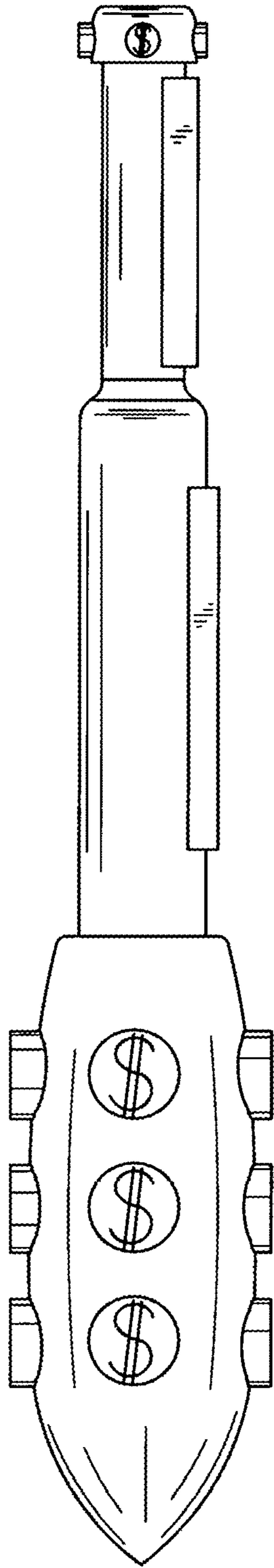


FIG. 5

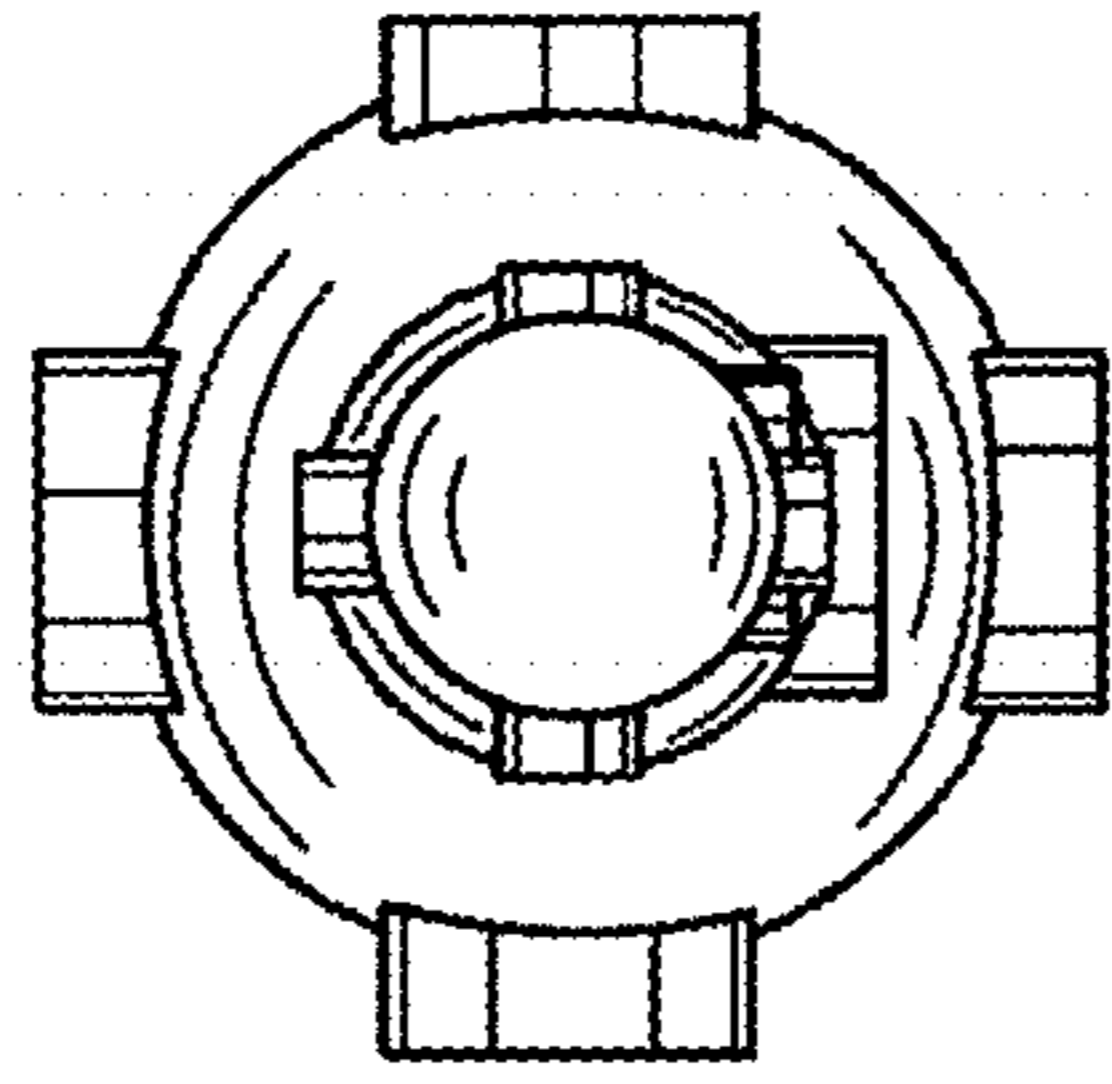


FIG. 7

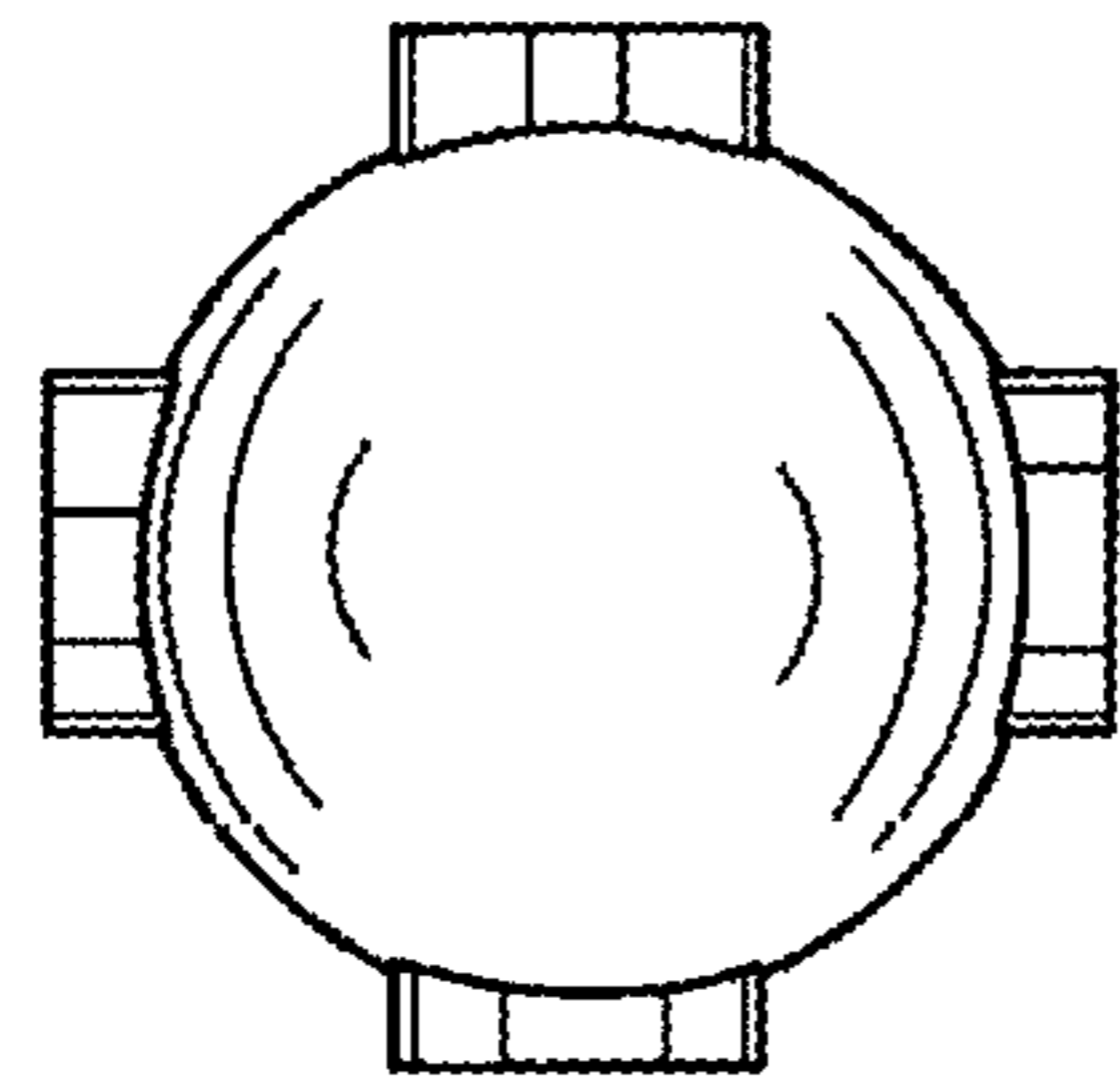


FIG. 6