



US00D880586S

(12) **United States Design Patent**
Katami et al.

(10) **Patent No.:** **US D880,586 S**

(45) **Date of Patent:** **** Apr. 7, 2020**

(54) **CORRECTION TAPE DISPENSER**

(71) Applicant: **Tombow Pencil Co., Ltd.**, Tokyo (JP)

(72) Inventors: **Kazunori Katami**, Tokyo (JP);
Hikomichi Fujisawa, Toyokawa (JP)

(73) Assignee: **Tombow Pencil Co., Ltd.**, Tokyo (JP)

(**) Term: **15 Years**

(21) Appl. No.: **29/654,046**

(22) Filed: **Jun. 20, 2018**

(30) **Foreign Application Priority Data**

Dec. 21, 2017 (JP) 2017-028496

Dec. 21, 2017 (JP) 2017-028497

(51) **LOC (12) Cl.** **19-02**

(52) **U.S. Cl.**
USPC **D19/69**

(58) **Field of Classification Search**
USPC D19/65-69; D6/515; D8/395; D9/723,
D9/724, 727, 730, 734, 504, 529
CPC B65H 35/00; B65H 35/0026; B65H
35/0033; B65H 35/0073; B65H 35/008;
B65H 35/06; B65H 37/005; B65H 37/007
See application file for complete search history.

(56) **References Cited**

U.S. PATENT DOCUMENTS

D311,874 S *	11/1990	Ingram, II	D10/72
D315,109 S *	3/1991	Ingram, II	D10/72
D337,787 S *	7/1993	Oga	D10/72
D348,691 S *	7/1994	Bell	D10/72
D355,934 S *	2/1995	Oga	D19/67
D368,115 S *	3/1996	Kouda	D10/72
D369,385 S *	4/1996	Lapointe	D19/67
5,759,341 A *	6/1998	Kobayashi	B65H 37/007 156/540
D400,585 S *	11/1998	Fritz	D19/69

D410,494 S *	6/1999	Hoffmann	D19/67
D410,955 S *	6/1999	Hoffmann	D19/67
D420,389 S *	2/2000	Shimizu	D19/67
D421,059 S *	2/2000	Shimizu	D19/67
D421,060 S *	2/2000	Kelders	D19/67
D421,461 S *	3/2000	Kelders	D19/67
D424,619 S *	5/2000	Katami	D19/67
D436,129 S *	1/2001	Fujihara	D19/67
D436,625 S *	1/2001	Katami	D19/67
D438,250 S *	2/2001	Katami	D19/67
D438,567 S *	3/2001	Van Den Berg	D19/67
D446,246 S *	8/2001	Kimura	D19/67
D448,416 S *	9/2001	Kimura	D19/67
D449,858 S *	10/2001	Liu	D19/69
D451,960 S *	12/2001	Shimizu	D19/69
D456,450 S *	4/2002	Kimura	D19/67
D457,564 S *	5/2002	Kimura	D19/69
D465,241 S *	11/2002	Suzuki	D19/67

(Continued)

Primary Examiner — Elizabeth A. Albert

(74) *Attorney, Agent, or Firm* — Kolitch Romano LLP

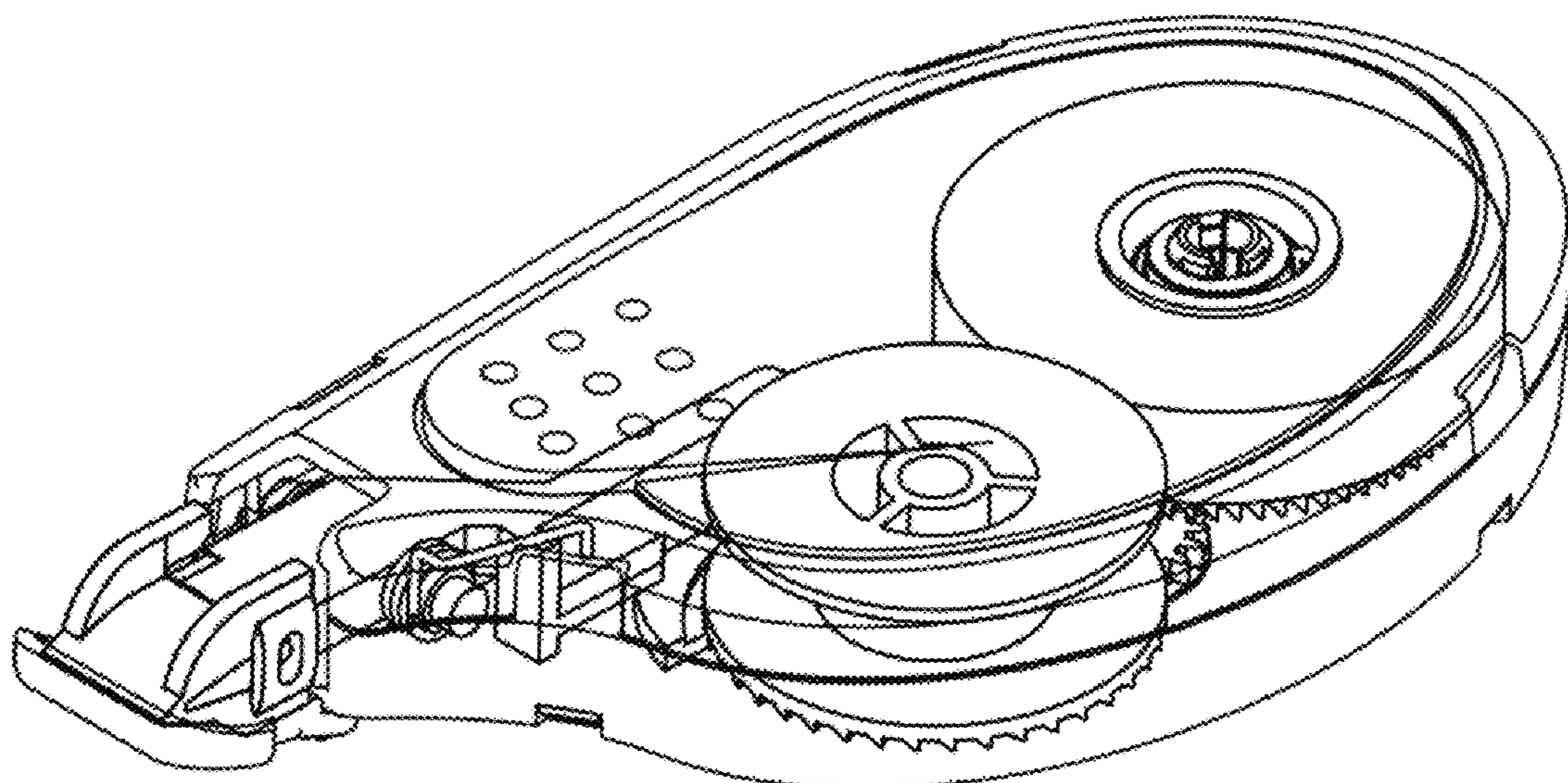
(57) **CLAIM**

The ornamental design for a correction tape dispenser, as shown and described.

DESCRIPTION

FIG. 1 is an upper, front, and left side perspective view of correction tape dispenser showing the new design; FIG. 2 is a lower, front, and left side perspective view thereof; FIG. 3 is a front elevation view thereof; FIG. 4 is a rear elevation view thereof; FIG. 5 is a left side elevation view thereof; FIG. 6 is a right side elevation view thereof; FIG. 7 is a top plan view thereof; FIG. 8 is a bottom plan view thereof; and, FIG. 9 is an upper, front, and left side perspective view thereof, showing the cover opened.

1 Claim, 4 Drawing Sheets



(56)

References Cited

U.S. PATENT DOCUMENTS

D466,554 S *	12/2002	Yonezawa	D19/67	D570,919 S *	6/2008	Chan	D19/69
D466,938 S *	12/2002	Lee	D19/67	D571,402 S *	6/2008	Kai	D19/69
D466,939 S *	12/2002	Lee	D19/67	D574,404 S *	6/2008	Tullney	D19/69
D467,280 S *	12/2002	Van Zuthem-Maasdam	D19/66	D574,431 S *	8/2008	Kouda	D19/69
D475,745 S *	6/2003	Ono	D19/67	D574,432 S *	8/2008	Kouda	D19/69
D475,746 S *	6/2003	Ono	D19/67	D574,892 S *	8/2008	Kouda	D19/69
D476,035 S *	6/2003	Katami	D19/67	D577,771 S *	9/2008	Kouda	D19/69
6,595,260 B2 *	7/2003	Tamai	B65H 37/005 156/540	D579,499 S *	10/2008	Rushe	D19/69
6,684,924 B1 *	2/2004	Kelders	B65H 35/0033 156/523	D580,984 S *	11/2008	Kouda	D19/69
D489,093 S *	4/2004	Ono	D19/67	D588,645 S *	3/2009	Burton	D19/69
D492,355 S *	6/2004	Suzuki	D19/67	D594,904 S *	6/2009	Kai	D19/69
6,761,200 B2 *	7/2004	Shinya	B65H 37/007 118/257	D594,906 S *	6/2009	Ariga	D19/69
D494,221 S *	8/2004	Suzuki	D19/67	D595,774 S *	7/2009	Kouda	D19/69
6,769,470 B2 *	8/2004	Tamai	B65H 37/007 118/76	D598,498 S *	8/2009	Kinugasa	D19/69
D498,498 S *	11/2004	Ono	D19/67	D600,751 S *	9/2009	Gallay	D19/69
6,830,089 B1 *	12/2004	Tamai	B65H 37/007 118/257	D601,630 S *	10/2009	Wu	D19/69
D508,085 S *	8/2005	Herrmannsen	D19/67	D607,055 S *	12/2009	Koreska	D19/69
6,976,652 B2 *	12/2005	Koreska	B65H 37/007 156/579	D611,992 S *	3/2010	Ariga	D19/69
D515,136 S *	2/2006	Herrmannsen	D19/69	D619,172 S *	7/2010	Narita	D19/69
D518,854 S *	4/2006	Paulus	D19/69	D640,321 S *	6/2011	Kuronuma	D19/69
D520,062 S *	5/2006	Kimura	D19/69	D640,322 S *	6/2011	Kouda	D19/69
D523,085 S *	6/2006	Mitsui	D19/69	D640,742 S *	6/2011	Booty, Jr.	D19/69
D524,373 S *	7/2006	Kimura	D19/69	D647,139 S *	10/2011	Quah	D19/69
D527,766 S *	9/2006	Mitsui	D19/69	D648,393 S *	11/2011	Kai	D19/69
D531,673 S *	11/2006	Paulus	D19/69	D651,650 S *	1/2012	Kishimoto	D19/69
D539,351 S *	3/2007	Mitsui	D19/69	D685,029 S *	6/2013	Cooper	D19/69
D541,863 S *	5/2007	Gerules	D19/69	8,517,076 B2 *	8/2013	Matsushita	B43L 19/0068 118/200
D542,845 S *	5/2007	Suzuki	D19/69	8,578,999 B2 *	11/2013	Kropp	B65H 37/007 156/577
D543,241 S *	5/2007	Herrmannsen	D19/69	8,631,849 B2 *	1/2014	Kai	B43L 19/0068 118/257
D544,543 S *	6/2007	Ono	D19/69	D705,353 S *	5/2014	Sasaya	D19/69
D555,199 S *	11/2007	Ono	D19/69	8,746,313 B2 *	6/2014	Kropp	B65H 37/007 156/523
D555,200 S *	11/2007	Ono	D19/69	9,027,624 B2 *	5/2015	Quah	B43L 19/0068 118/200
D559,911 S *	1/2008	Kai	D19/69	D755,288 S *	5/2016	Kishimoto	D19/69
D559,912 S *	1/2008	Kai	D19/69	D811,477 S *	2/2018	Horie	D19/69
D564,029 S *	3/2008	Ono	D19/69	9,969,590 B2 *	5/2018	Fujisawa	B65H 37/007
7,357,167 B2 *	4/2008	Mitsui	B43M 11/02 118/200	10,150,640 B2 *	12/2018	Kobashi	C23C 16/0227
D570,918 S *	6/2008	Rushe	D19/69	2010/0071853 A1 *	3/2010	Wu	B65H 37/007 156/538
					2010/0206488 A1 *	8/2010	Matsushita	B43L 19/0068 156/391
					2019/0010009 A1 *	1/2019	Fujisawa	B65H 37/007

* cited by examiner

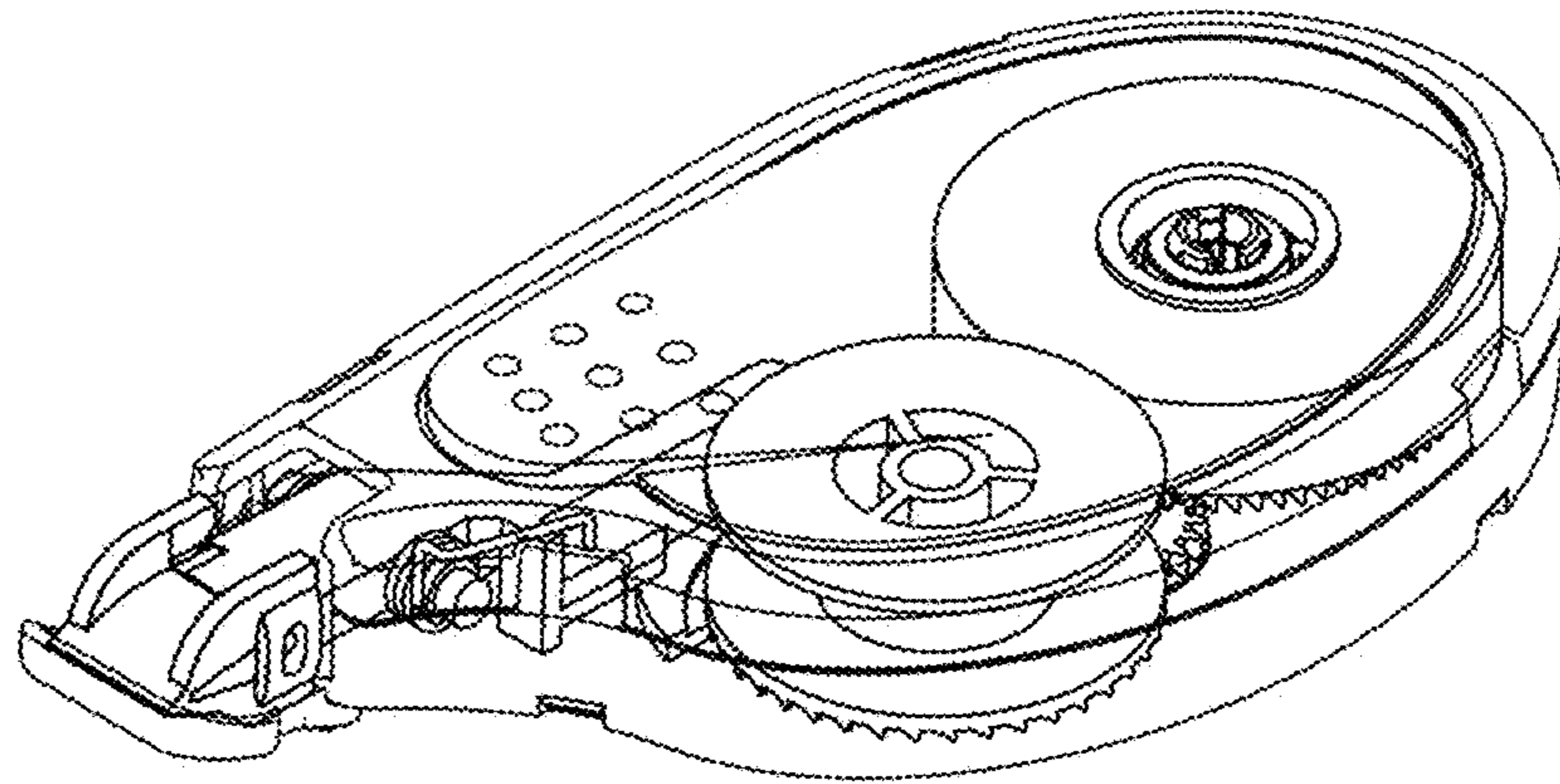


Fig. 1

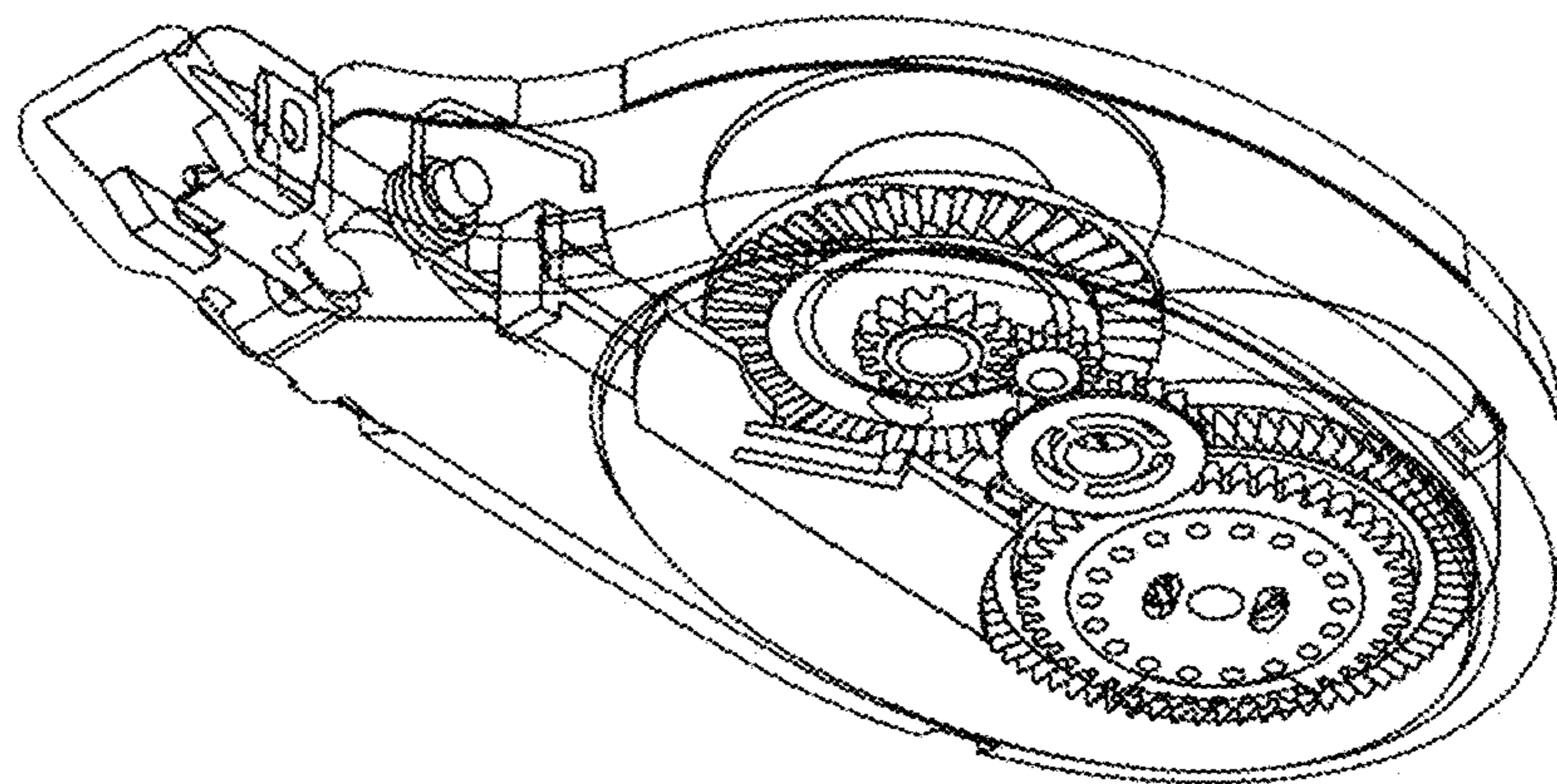


Fig. 2

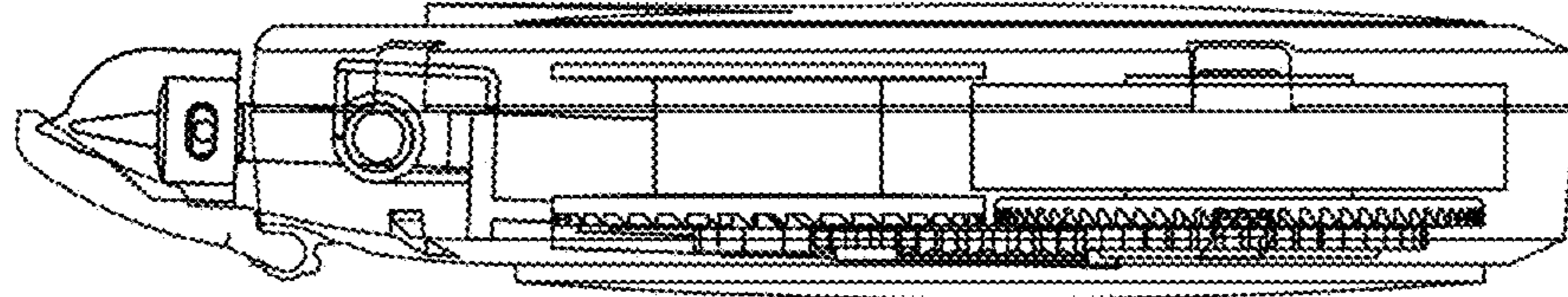


Fig. 3

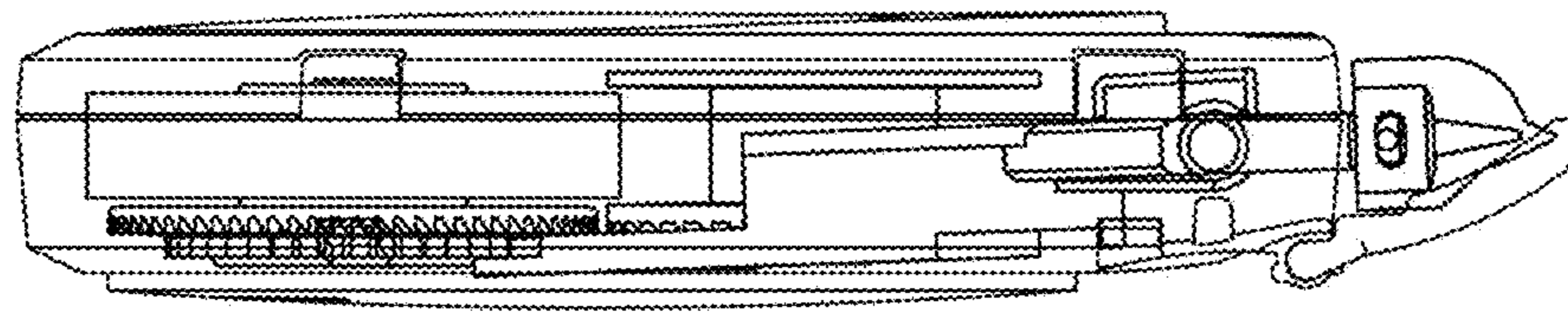


Fig. 4

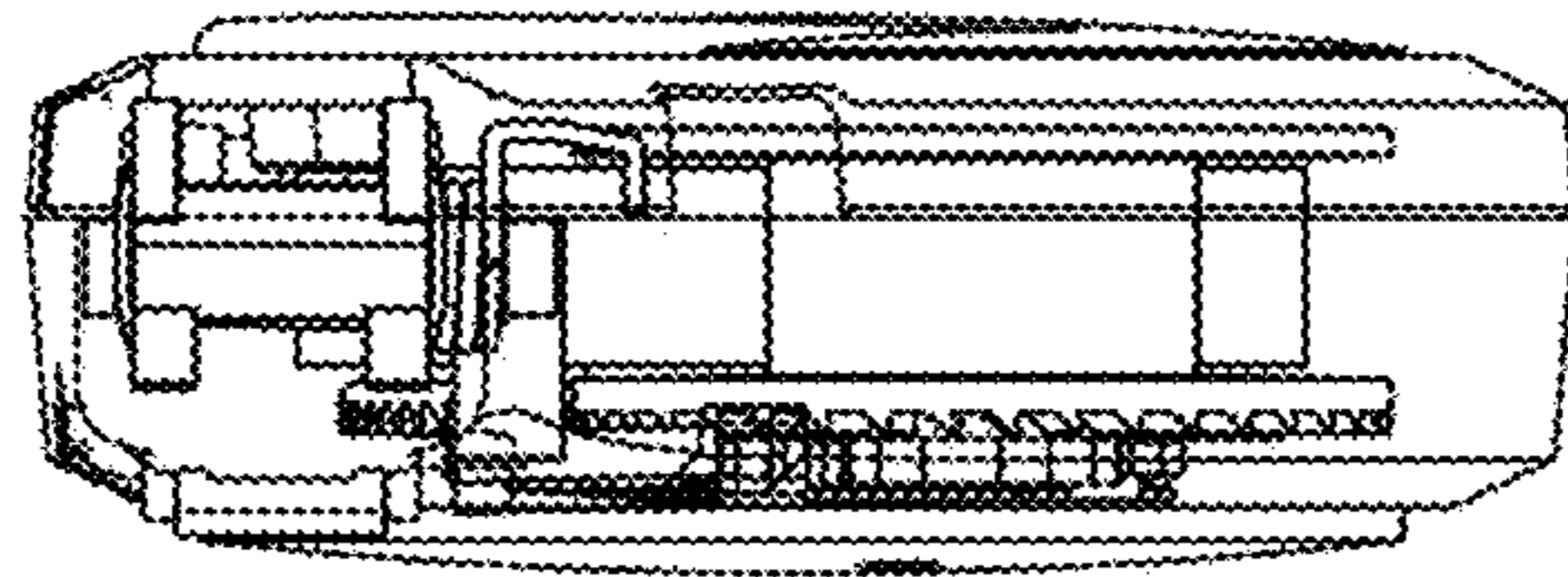


Fig. 5

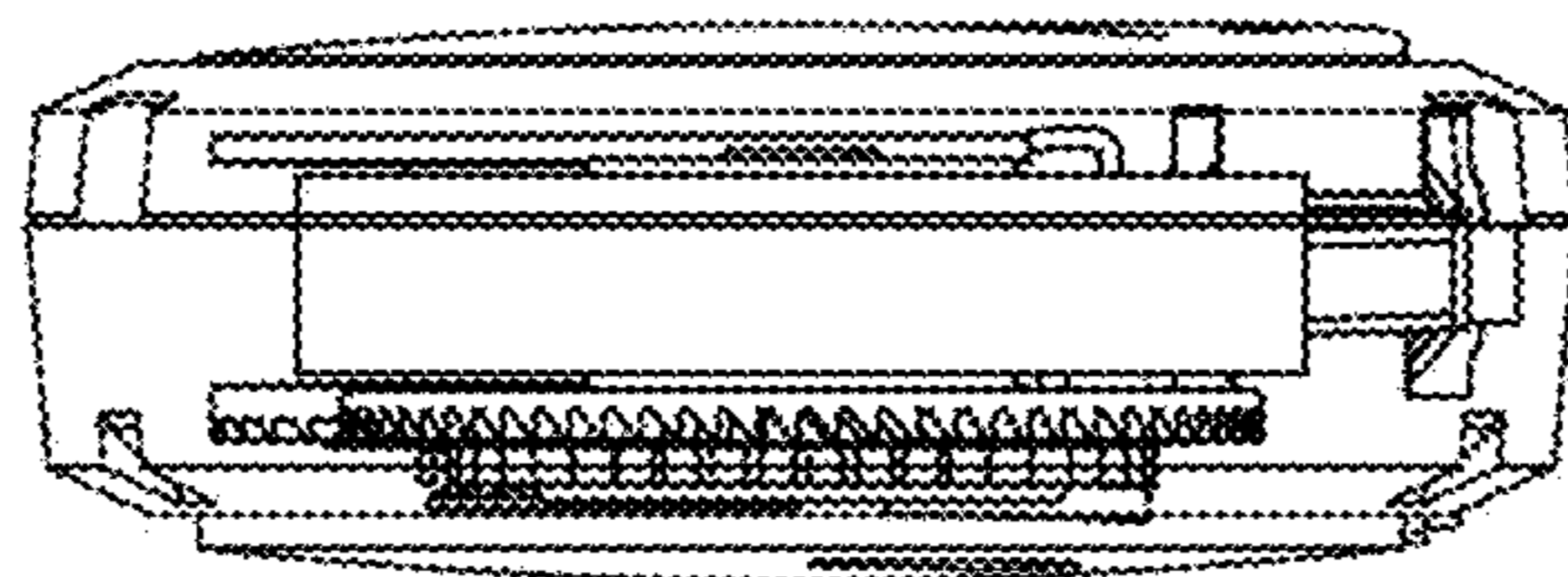


Fig. 6

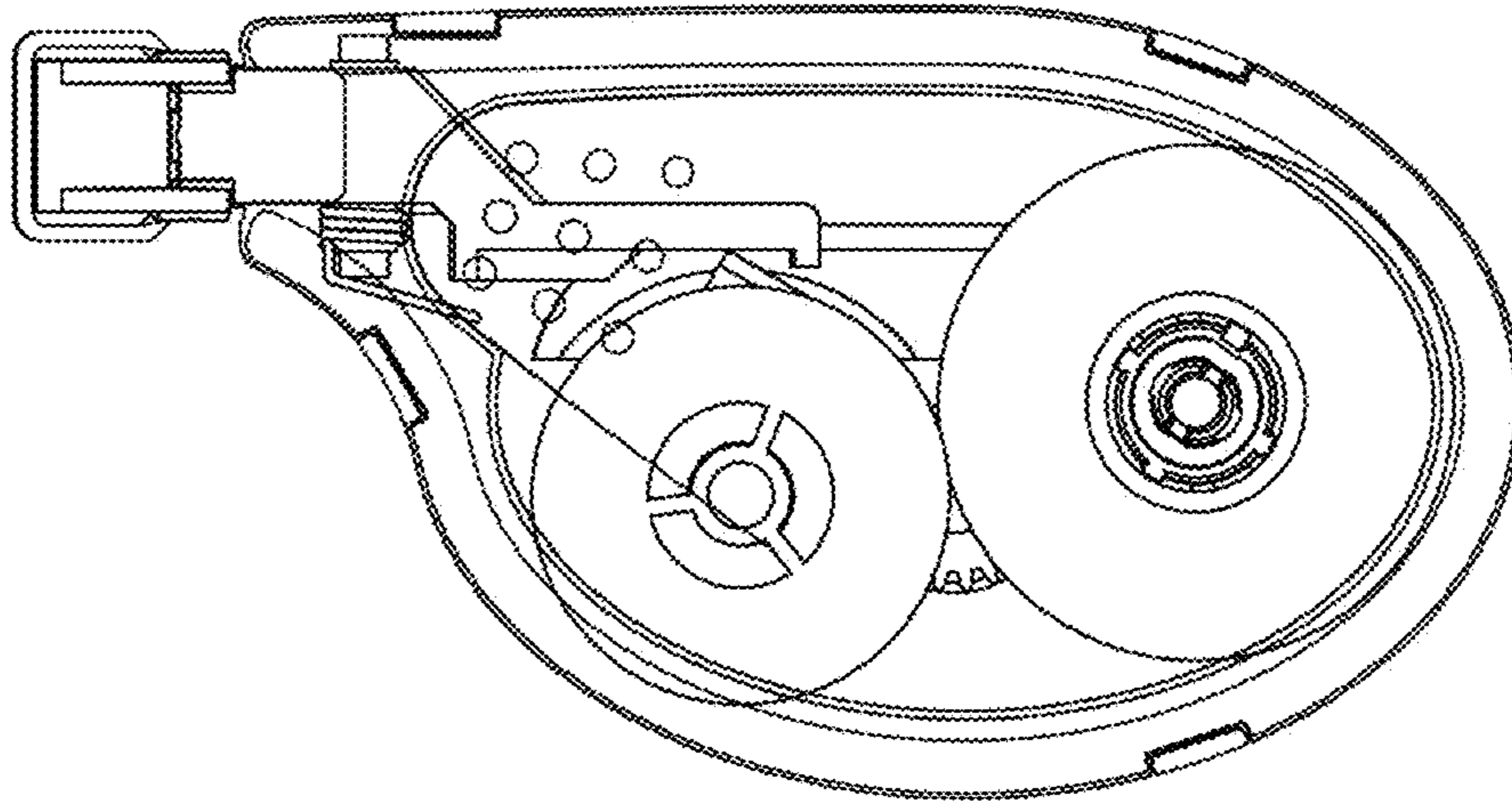


Fig. 7

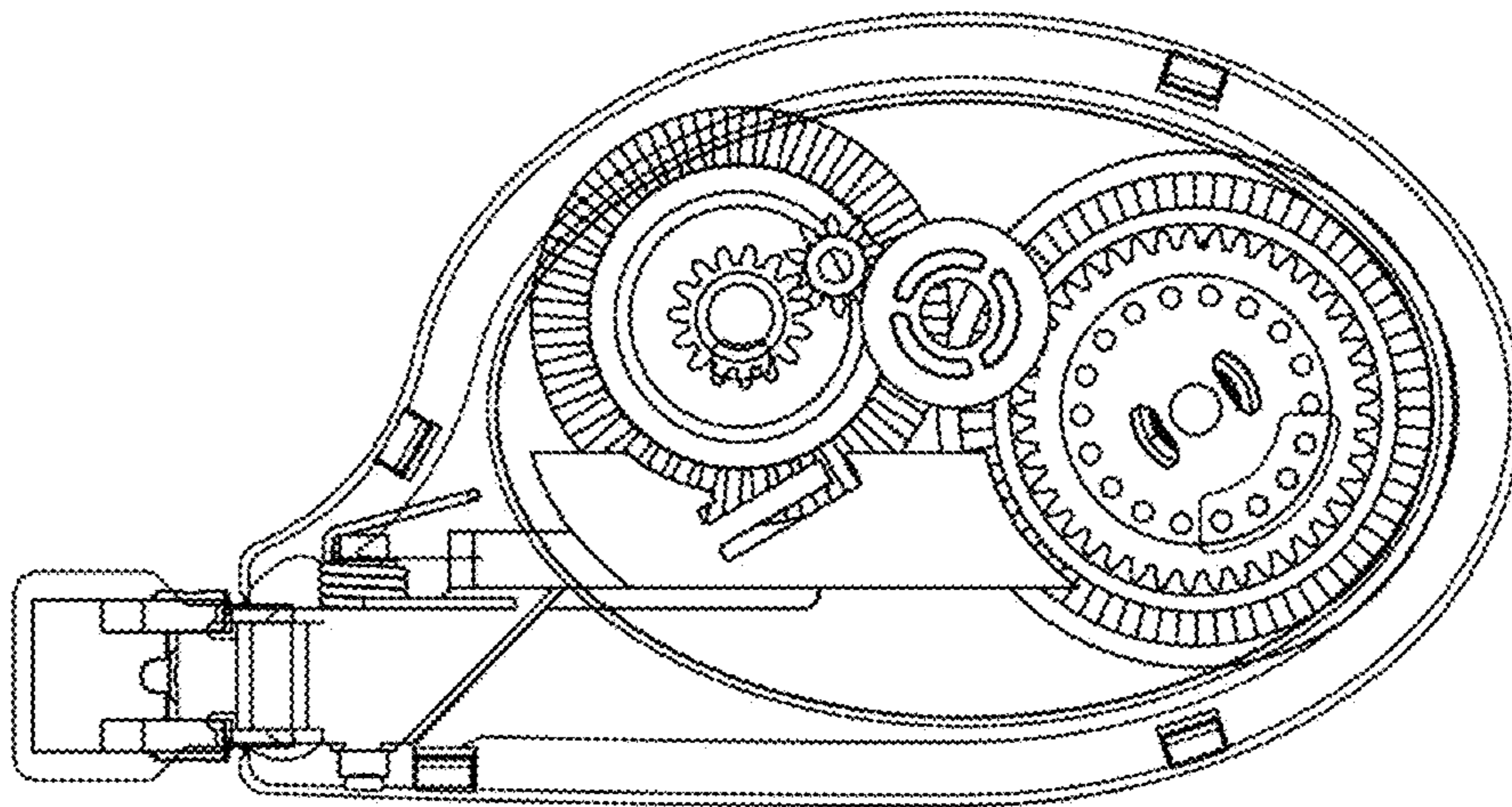


Fig. 8

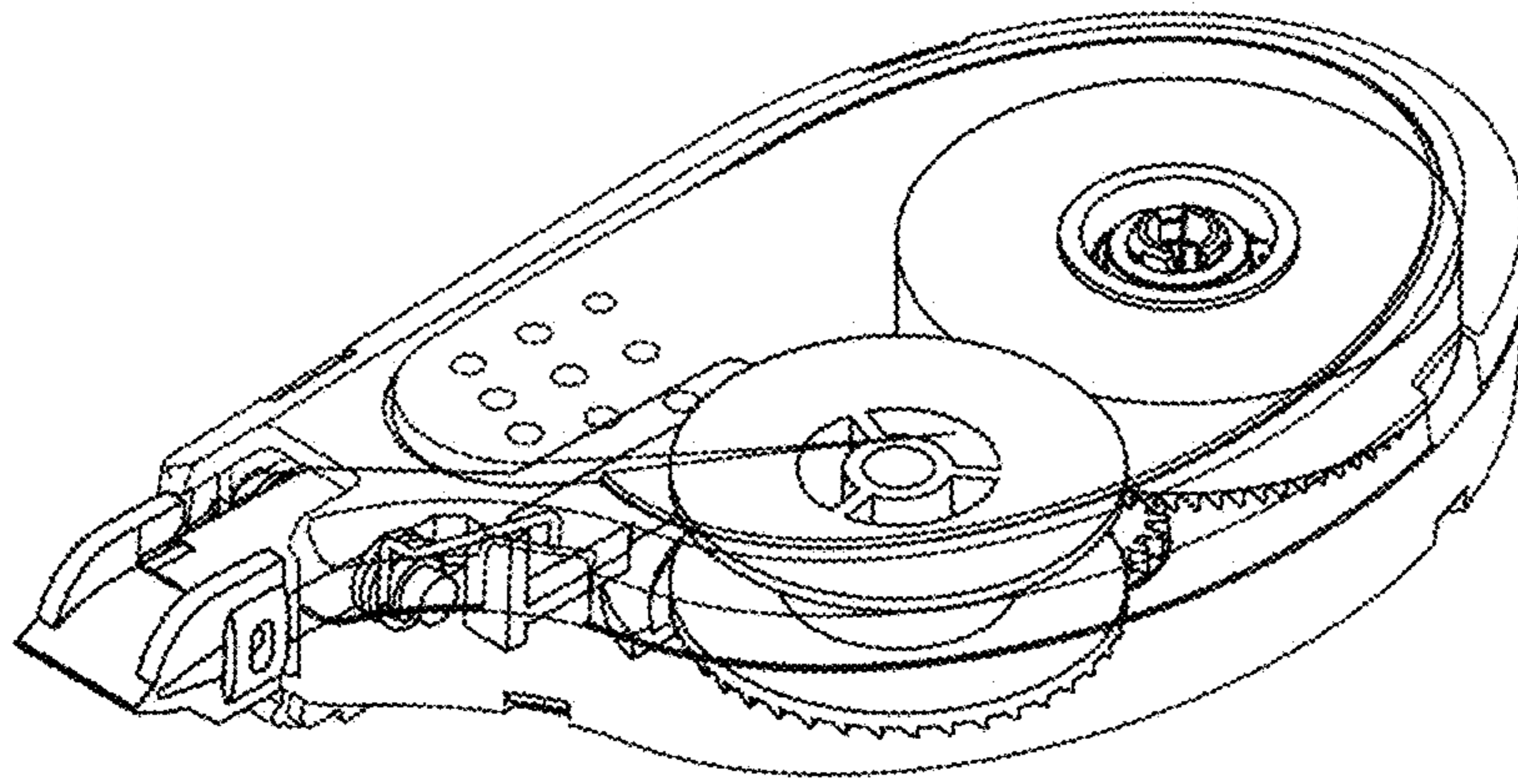


Fig. 9