



US00D880584S

(12) **United States Design Patent**
Vanslette

(10) **Patent No.:** **US D880,584 S**

(45) **Date of Patent:** **** Apr. 7, 2020**

(54) **LABEL**

D526,016 S * 8/2006 Allard D19/9
D602,522 S * 10/2009 Field D19/10
D735,807 S * 8/2015 Ehrlich D19/10
D864,293 S * 10/2019 Lowe G06K 19/07792
D19/10

(71) Applicant: **Apple Inc.**, Cupertino, CA (US)

(72) Inventor: **Jeremy Vanslette**, Santa Clara, CA (US)

2002/0026738 A1 3/2002 Shiga et al.
2012/0193432 A1 8/2012 Biskupski

(73) Assignee: **Apple Inc.**, Cupertino, CA (US)

FOREIGN PATENT DOCUMENTS

(**) Term: **15 Years**

EP 1130563 A2 9/2001

(21) Appl. No.: **29/663,611**

OTHER PUBLICATIONS

(22) Filed: **Sep. 17, 2018**

Powell, Martha, "28 Lovely Pictures of 20 Dollar iTunes Gift Card," Dealalternativmedizin-heute.info Webpage, Nov. 1, 2017, URL: <http://dealalternativmedizin-heute.info/20-dollar-itunes-gift-card/101127/>.

(51) **LOC (12) Cl.** **19-08**

(52) **U.S. Cl.**
USPC **D19/10**

(58) **Field of Classification Search**
USPC D19/1-10, 20-34; 40/124.01-124.15, 40/661, 776, 726; 283/72, 75-76, 283/105-107, 82, 70, 904, 74; 206/449; D21/385; D20/10-11, 22, 27, 40, 42; 360/2; 235/380, 382
CPC B42D 15/00; B42D 15/022; B42D 15/027; B42D 15/045; B42D 15/047; B42D 25/00; B42D 25/20; B42D 25/23; B42D 25/26; B42D 25/29; B42D 25/30; B42D 25/40; B42D 25/22; B42D 2033/02; B42D 2033/04; B42D 2033/08; B42D 2033/10; B42D 2033/16; B42D 2033/18; B42D 2033/20; B42D 2033/28; B42D 2033/30; G06K 19/06196; G06K 19/042
See application file for complete search history.

* cited by examiner

Primary Examiner — Abraham Bahta
(74) *Attorney, Agent, or Firm* — Sterne, Kessler, Goldstein & Fox P.L.L.C.

(57) **CLAIM**

The ornamental design for a label, as shown and described.

DESCRIPTION

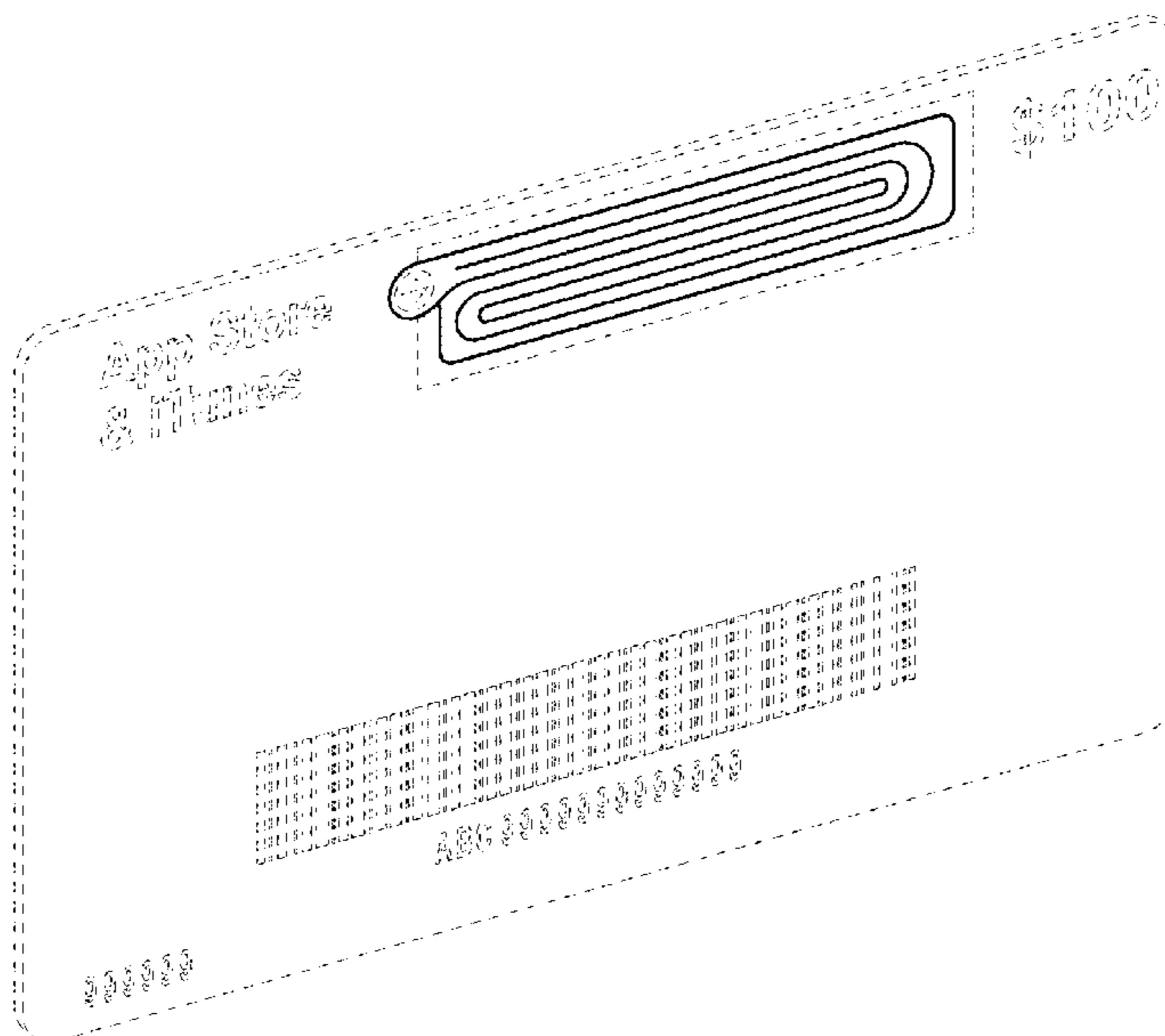
FIG. 1 is a top rear perspective view of a label showing the claimed design;
FIG. 2 is a rear view thereof;
FIG. 3 is a front view thereof;
FIG. 4 is a top view thereof;
FIG. 5 is a bottom view thereof;
FIG. 6 is a left side view thereof; and,
FIG. 7 is a right side view thereof.
The broken lines in the figures show portions of the label or environment that form no part of the claimed design.

(56) **References Cited**

U.S. PATENT DOCUMENTS

5,895,075 A 4/1999 Edwards
6,679,970 B2 1/2004 Hwang
D510,103 S * 9/2005 Allard D19/10

1 Claim, 5 Drawing Sheets



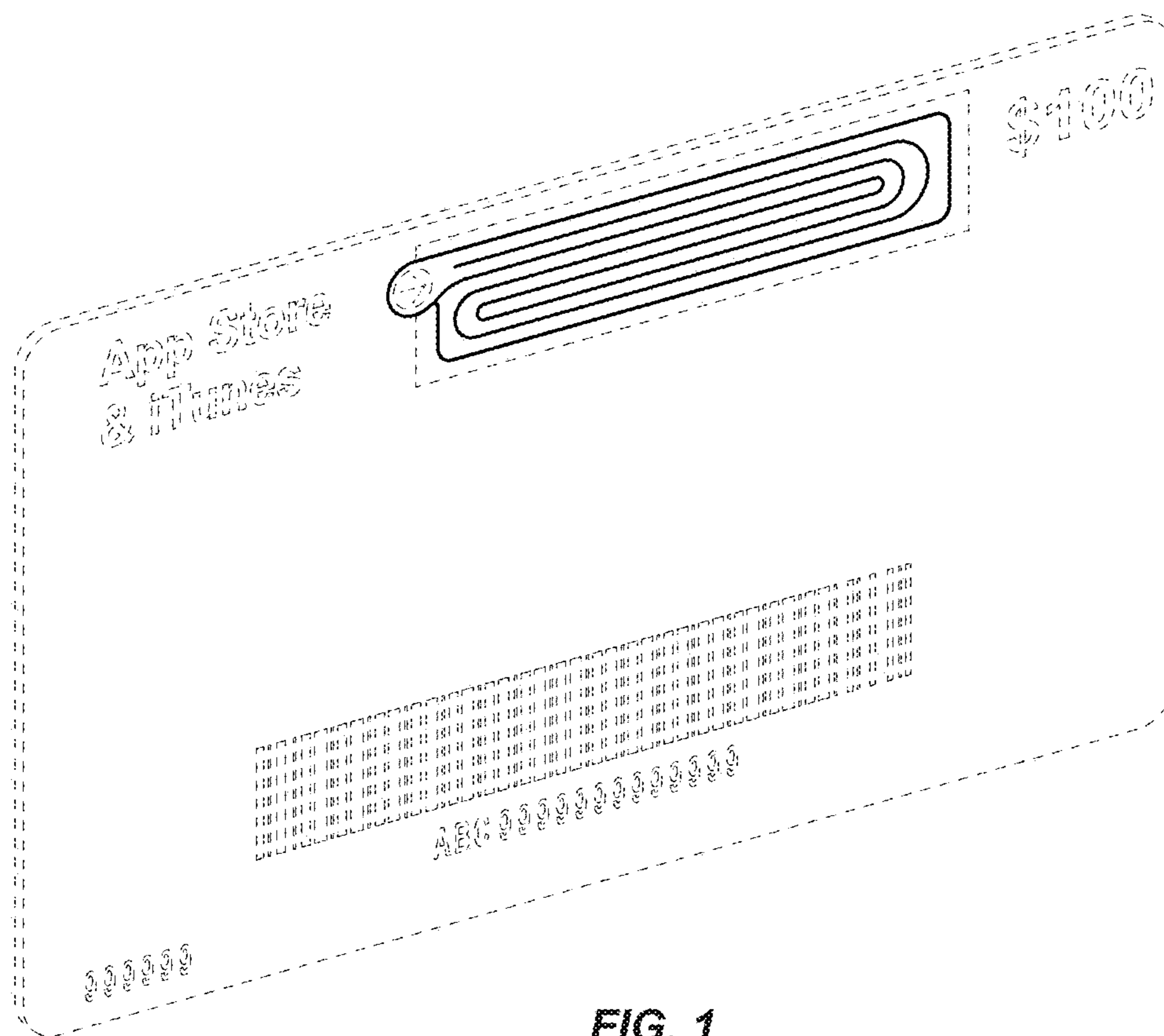


FIG. 1

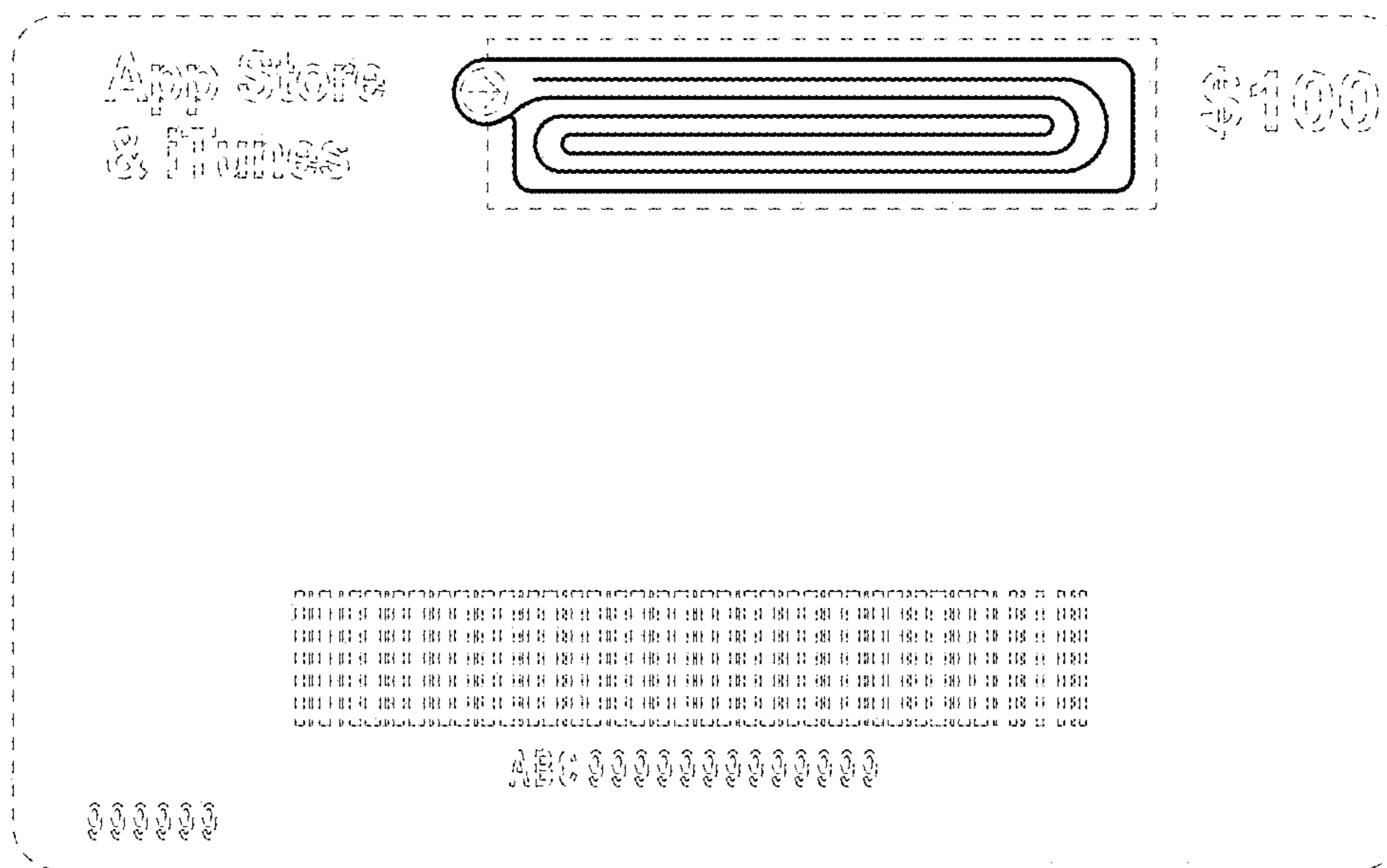


FIG. 2

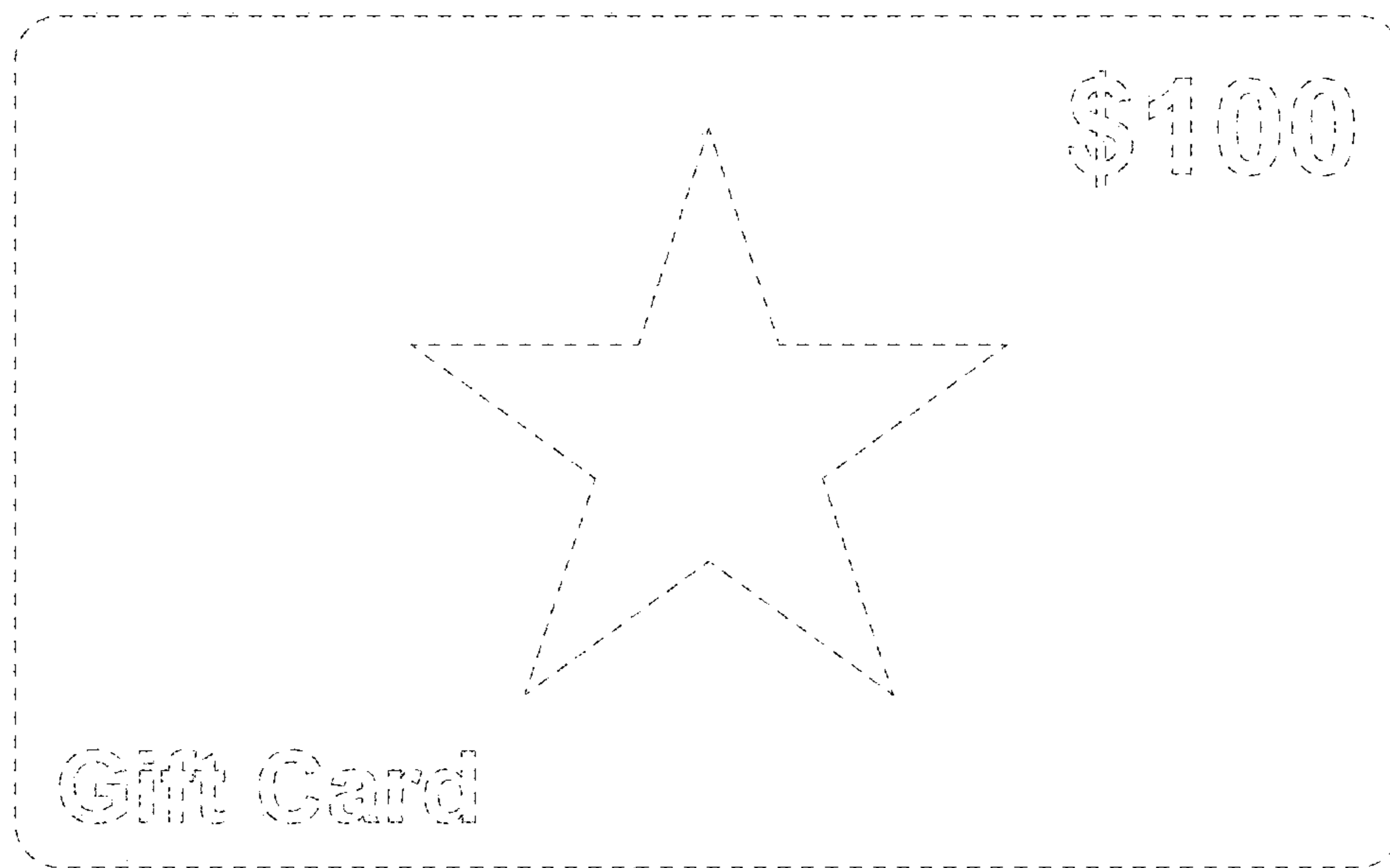


FIG. 3



FIG. 4

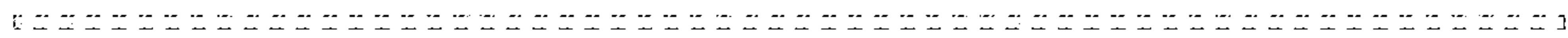


FIG. 5

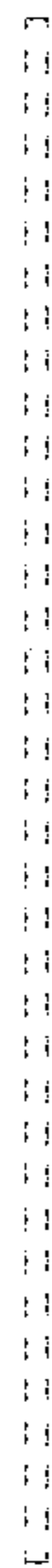


FIG. 6

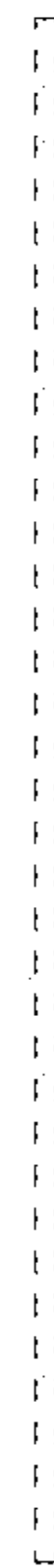


FIG. 7