



US00D880583S

(12) **United States Design Patent**
Sheng et al.

(10) **Patent No.:** **US D880,583 S**

(45) **Date of Patent:** **** *Apr. 7, 2020**

(54) **PANEL FOR MULTI-FUNCTION PRINTER**

(71) Applicant: **AVISION INC.**, Hsinchu (TW)

(72) Inventors: **Shao-Lan Sheng**, Hsinchu (TW);
Chao-Yu Peng, Hsinchu (TW)

(73) Assignee: **AVISION INC.**, Hsinchu (TW)

(*) Notice: This patent is subject to a terminal disclaimer.

(**) Term: **15 Years**

(21) Appl. No.: **29/665,606**

(22) Filed: **Oct. 4, 2018**

(30) **Foreign Application Priority Data**

Sep. 7, 2018 (TW) 107305344

(51) **LOC (12) Cl.** **14-02**

(52) **U.S. Cl.**
USPC **D18/56; D18/50**

(58) **Field of Classification Search**
USPC D18/50, 56, 40
CPC G06K 15/12; G06K 15/14; B41J 15/12;
B41J 15/042; B41J 11/58
See application file for complete search history.

(56) **References Cited**

U.S. PATENT DOCUMENTS

D809,592 S * 2/2018 Tashima D18/50
D815,684 S * 4/2018 Tashima D18/50

D818,528 S * 5/2018 Tashima D18/50
D823,939 S * 7/2018 Inada D18/50
2015/0146251 A1* 5/2015 Ueyama G06K 15/12
358/1.15

* cited by examiner

Primary Examiner — Barbara Fox

Assistant Examiner — J. Thorn, Sr.

(74) *Attorney, Agent, or Firm* — Winston Hsu

(57) **CLAIM**

The ornamental design for a panel for multi-function printer, as shown and described.

DESCRIPTION

FIG. 1 is a front, top, and right side perspective view of a panel for multi-function printer showing our new design; FIG. 2 is a rear, bottom, and left side perspective view thereof;

FIG. 3 is a front elevation view thereof;

FIG. 4 is a rear elevation view thereof;

FIG. 5 is a left side elevation view thereof;

FIG. 6 is a right side elevation view thereof;

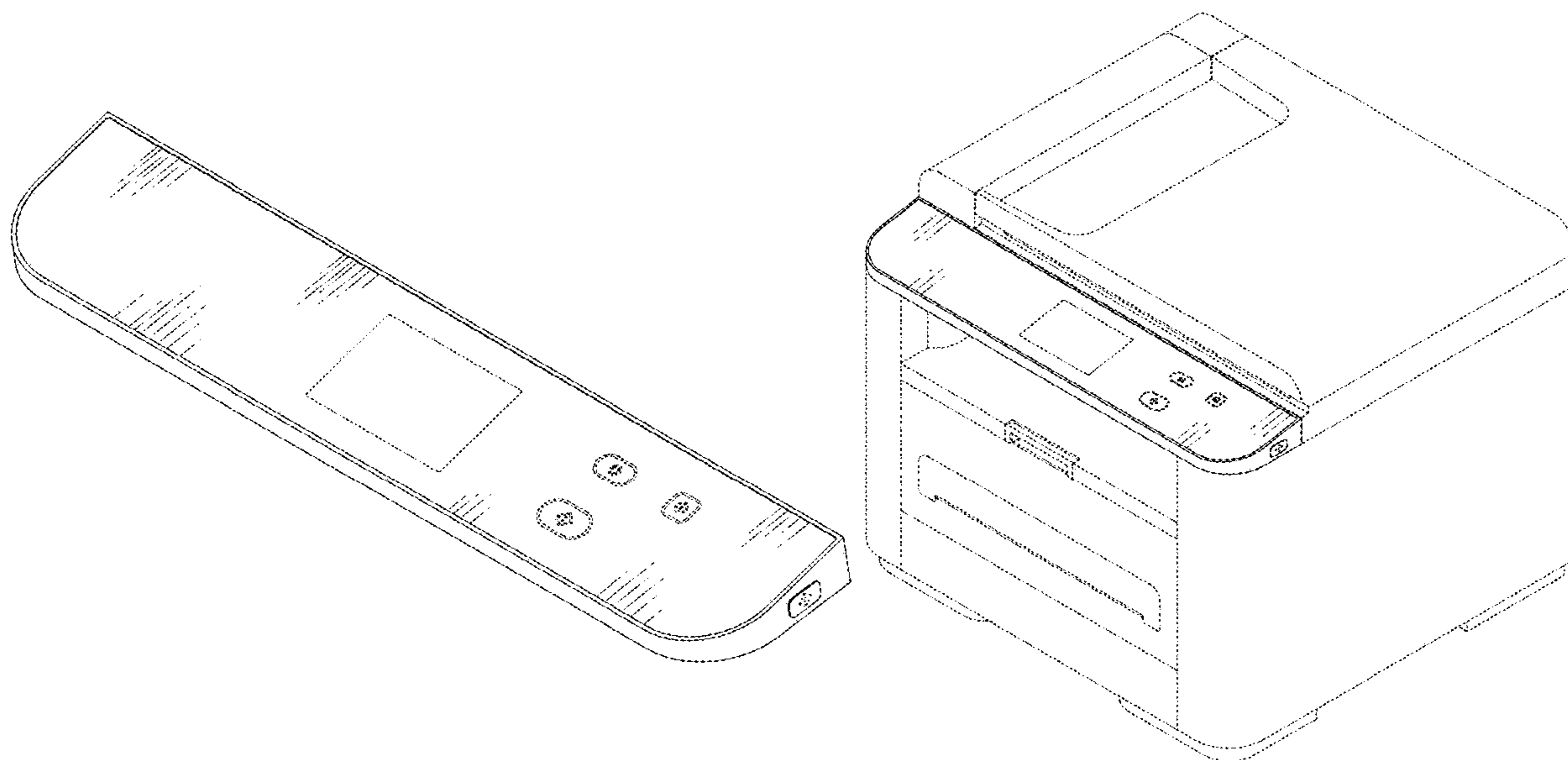
FIG. 7 is a top plan view thereof; and,

FIG. 8 is a bottom plan view thereof; and,

FIG. 9 is a front, top, and right side perspective view of the panel for multi-function printer, showing it in an example environment.

The broken line showing of the printer in FIG. 9 depicts environment. The remaining broken lines depict portions of the panel for multi-function printer. The broken lines from no part of the claimed design.

1 Claim, 6 Drawing Sheets



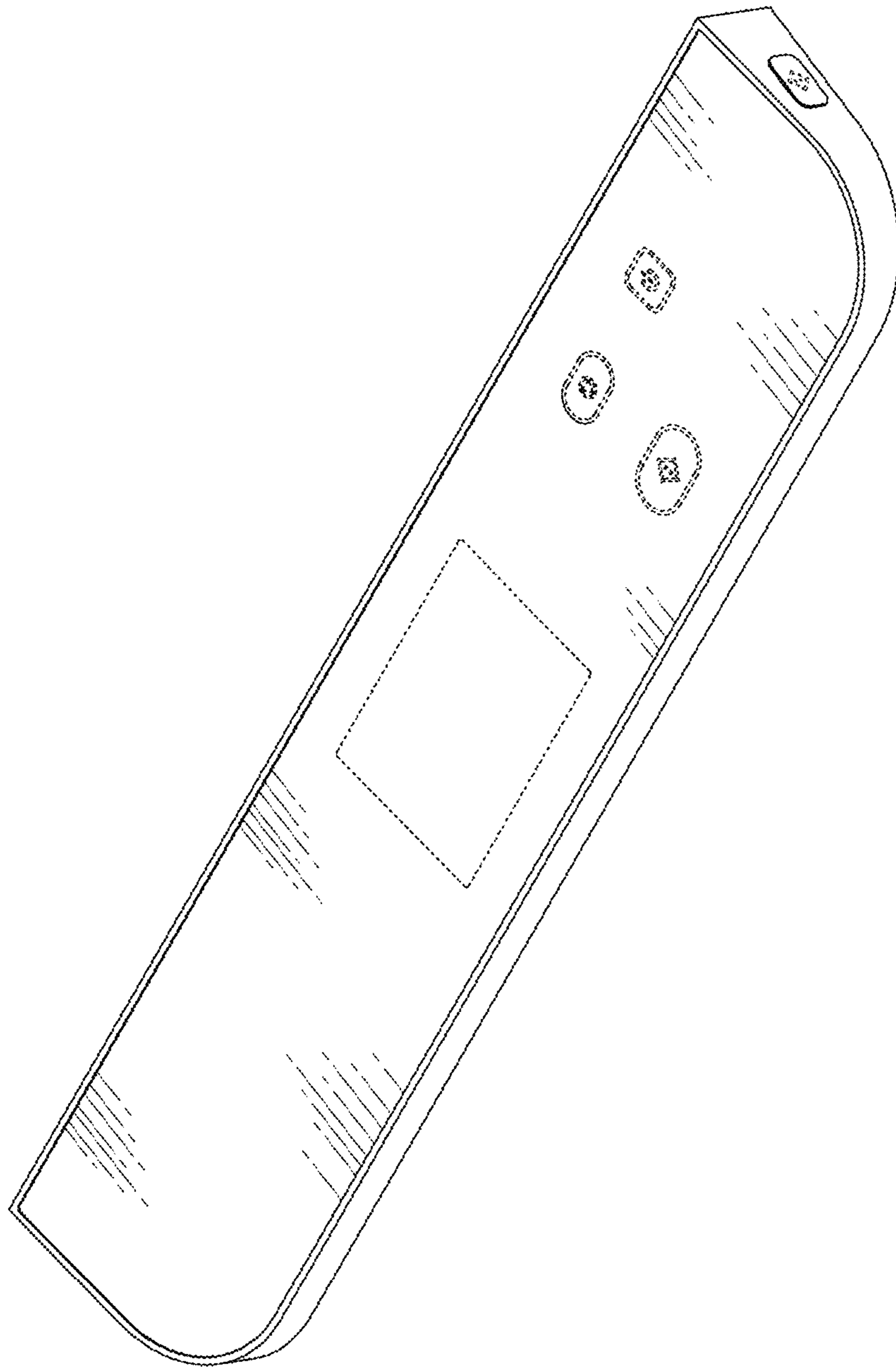


FIG. 1

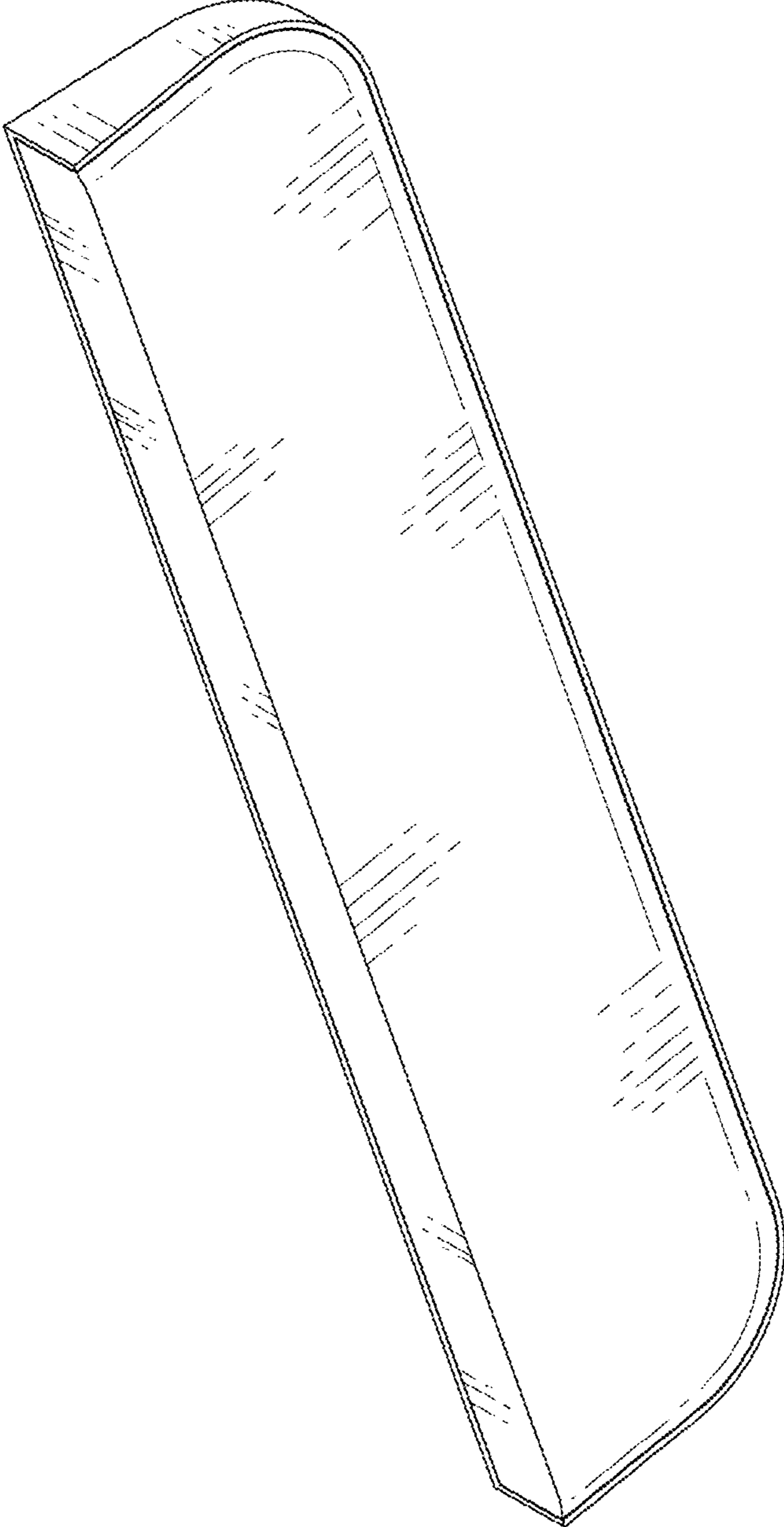


FIG. 2

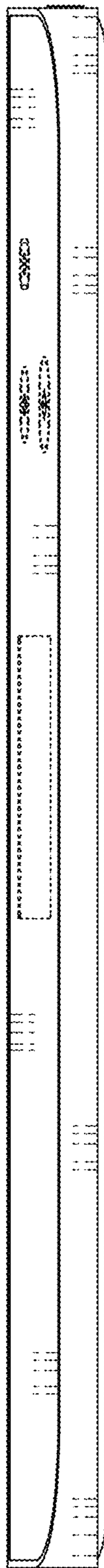


FIG. 3



FIG. 4



FIG. 6

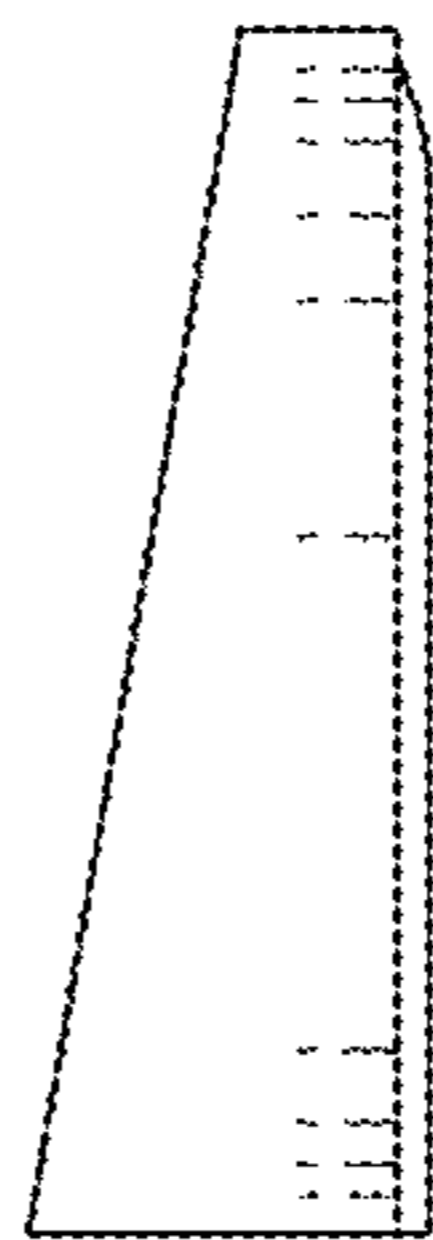


FIG. 5

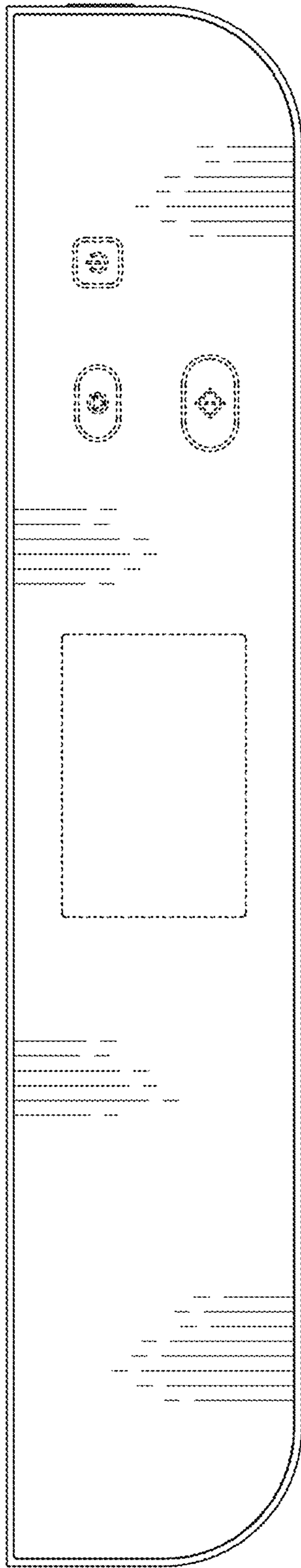


FIG. 7

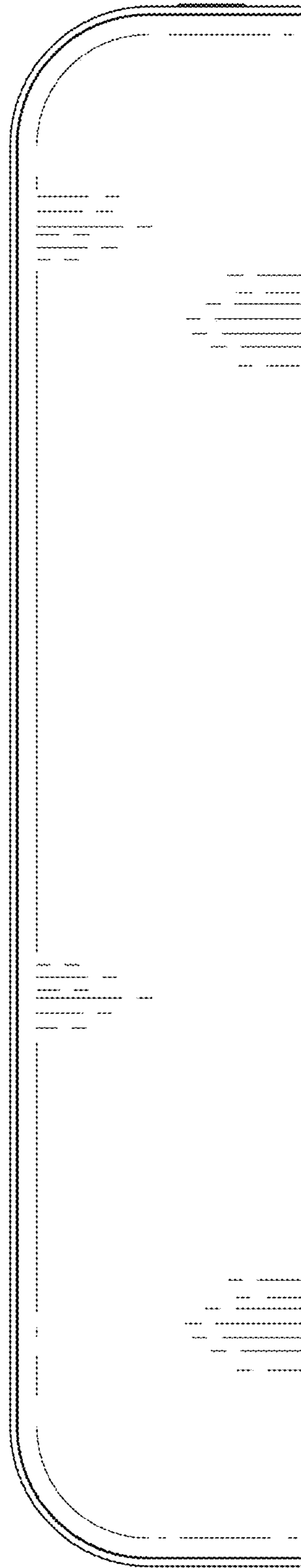


FIG. 8

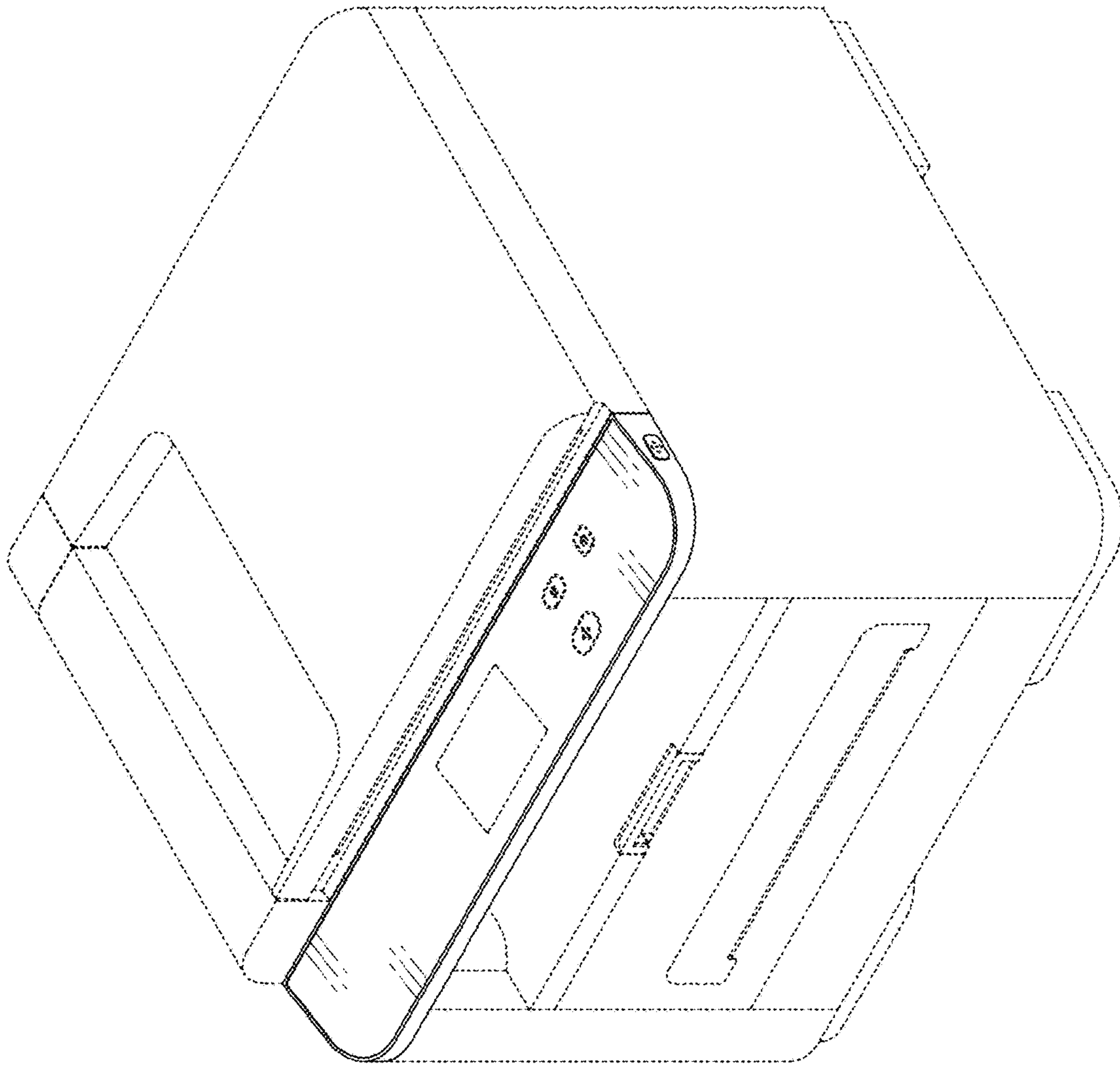


FIG. 9