



US00D880580S

(12) **United States Design Patent**
Wang et al.

(10) **Patent No.:** **US D880,580 S**
(45) **Date of Patent:** **** Apr. 7, 2020**

- (54) **POINT OF SALE TERMINAL**
- (71) Applicant: **Quanta Computer Inc.**, Taoyuan (TW)
- (72) Inventors: **Jui-Lung Wang**, Taoyuan (TW);
Yi-Chun Ma, Taoyuan (TW);
Chang-Ta Miao, Taoyuan (TW);
Gwo-Chyuan Chen, Taoyuan (TW)
- (73) Assignee: **QUANTA COMPUTER INC.**,
Guishan Dist., Taoyuan (TW)
- (**) Term: **15 Years**
- (21) Appl. No.: **29/676,060**
- (22) Filed: **Jan. 8, 2019**
- (30) **Foreign Application Priority Data**

Dec. 5, 2018 (TW) 107307091

- (51) **LOC (12) Cl.** **18-01**
- (52) **U.S. Cl.**
USPC **D18/4.4; D18/4.6**

- (58) **Field of Classification Search**
USPC D18/4.4, 4.5, 4.6, 2, 11, 50, 14, 19-21,
D18/54, 54.1, 99; D14/496, 299, 338,
D14/339, 341, 383, 385, 386, 440, 507,
D14/137, 138 R, 138 AA, 138 G;
D10/46, 61, 62, 70, 104.1, 104.2, 106.2,
D10/106.6, 65, 66; D20/1
CPC H04W 8/22; H04W 52/0225; H04W
52/0254; G06Q 20/00; G06Q 20/08;
G06Q 20/20; G07F 7/0873; G07F 7/088;
G07G 1/0009; G07G 1/0018; G07G 1/00;
B41J 3/4075; B41J 15/042
See application file for complete search history.

(56) **References Cited**

U.S. PATENT DOCUMENTS

- D279,565 S * 7/1985 Forbis D12/114
- D321,172 S * 10/1991 Moore, IV D14/389
- D338,452 S * 8/1993 Allgeier D14/374

- D368,862 S * 4/1996 Roberts D10/46
 - D447,136 S * 8/2001 Groves D14/336
 - D550,710 S * 9/2007 Ichinose D14/496
 - 7,344,323 B2 * 3/2008 Fries B41J 3/4075
400/611
 - D618,355 S * 6/2010 Delaey D24/158
- (Continued)

OTHER PUBLICATIONS

Point-of-sale terminals. (Design—© Questel) orbit.com. [online PDF] 41 pgs. Print Dates Range from Sep. 9, 2015 through Jul. 30, 2019 [Retrieved on Dec. 6, 2019] <https://sobjprd.questel.fr/export/QPTUJ214/pdf2/a88518fb-16dd-4735-ae2-32ec9bdc918f-170557.pdf>.*

Primary Examiner — Marie D. Fast Horse
(74) *Attorney, Agent, or Firm* — McClure, Qualey & Rodack, LLP

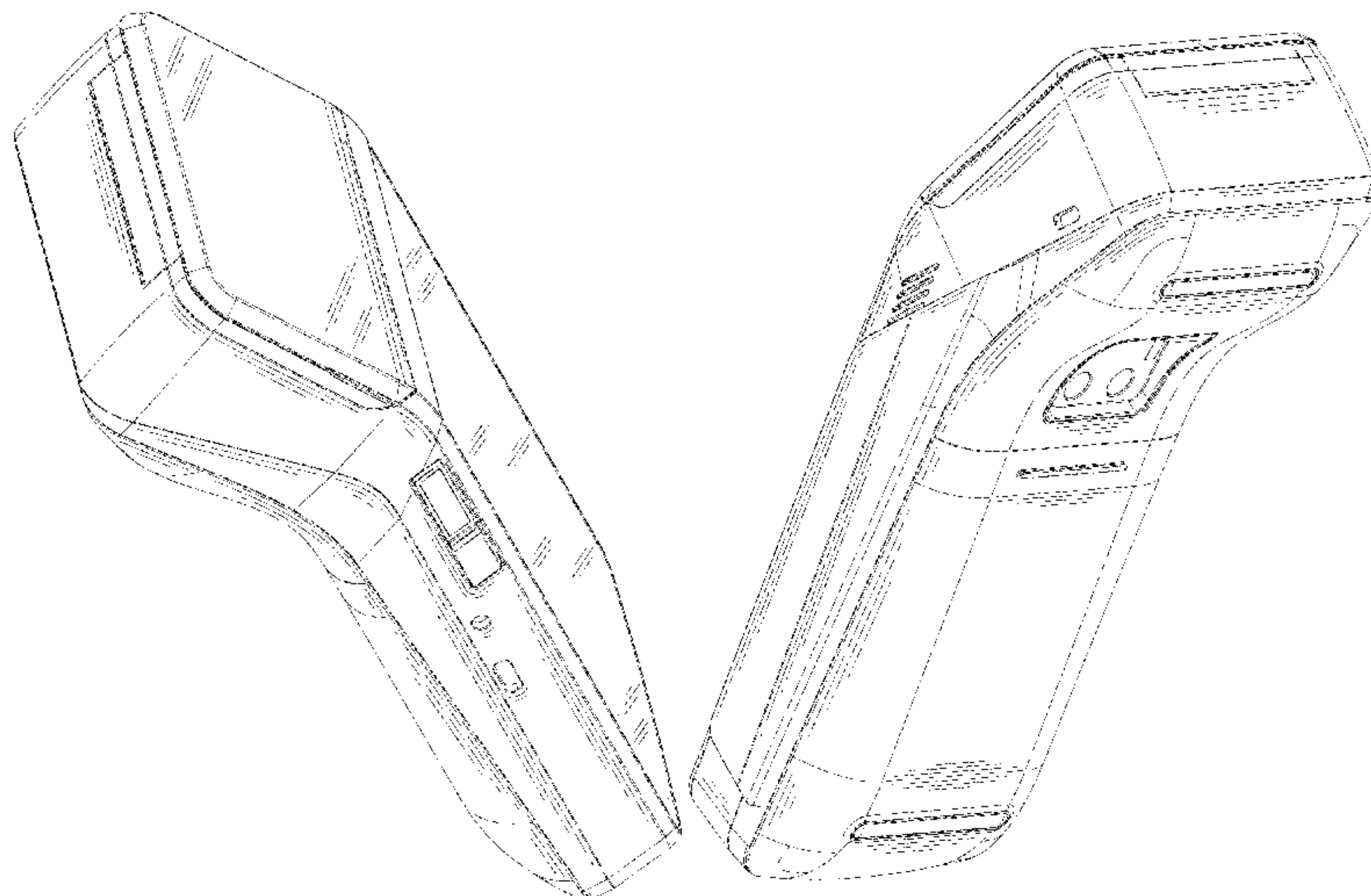
(57) **CLAIM**

The ornamental design for a point of sale terminal, as shown and described.

DESCRIPTION

FIG. 1 is a front and left perspective view of a point of sale terminal, in accordance with our new design;
FIG. 2 is a front view thereof;
FIG. 3 is a rear view thereof;
FIG. 4 is a left side view thereof;
FIG. 5 is a right side view thereof;
FIG. 6 is a top plan view thereof;
FIG. 7 is a bottom plan view thereof;
FIG. 8 is a rear and right perspective view thereof; and,
FIG. 9 is a reference perspective view showing the point of sale terminal disposed on a charging stand.
The broken lines in FIGS. 6 and 7 depict portions of the point of sale terminal that form no part of the claimed design.
In FIG. 9, the broken lines depict environmental structure that forms no part of the claimed design.

1 Claim, 9 Drawing Sheets



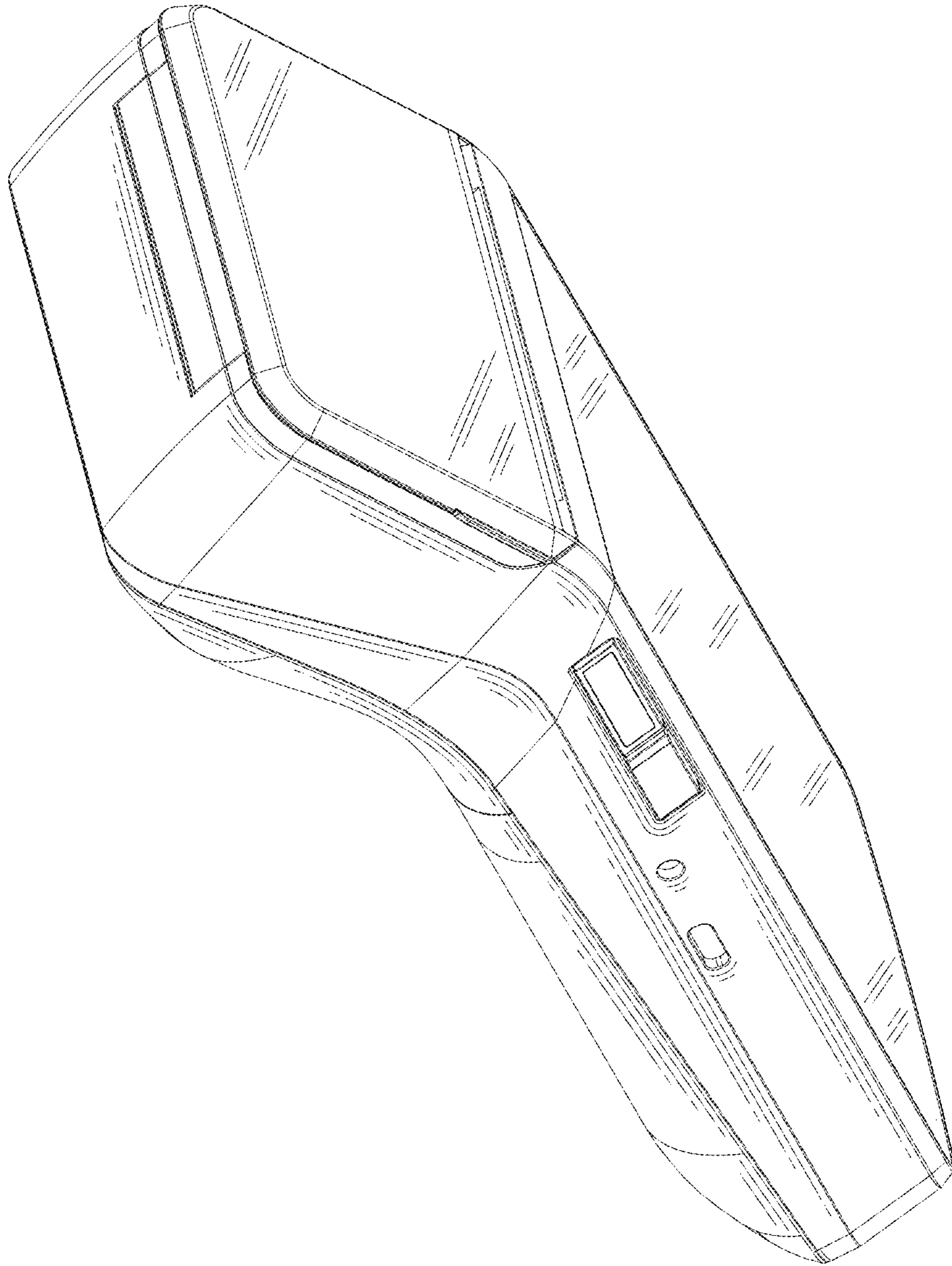


FIG. 1

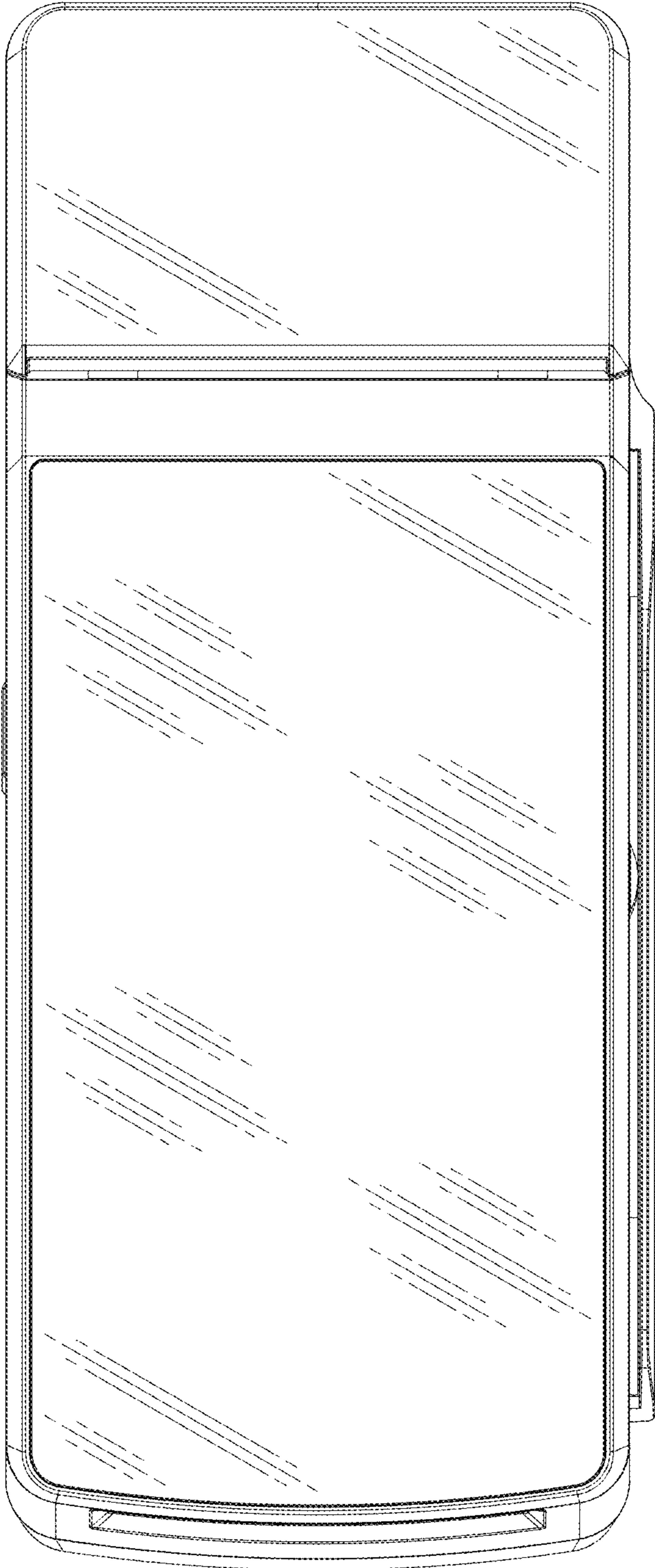


FIG. 2

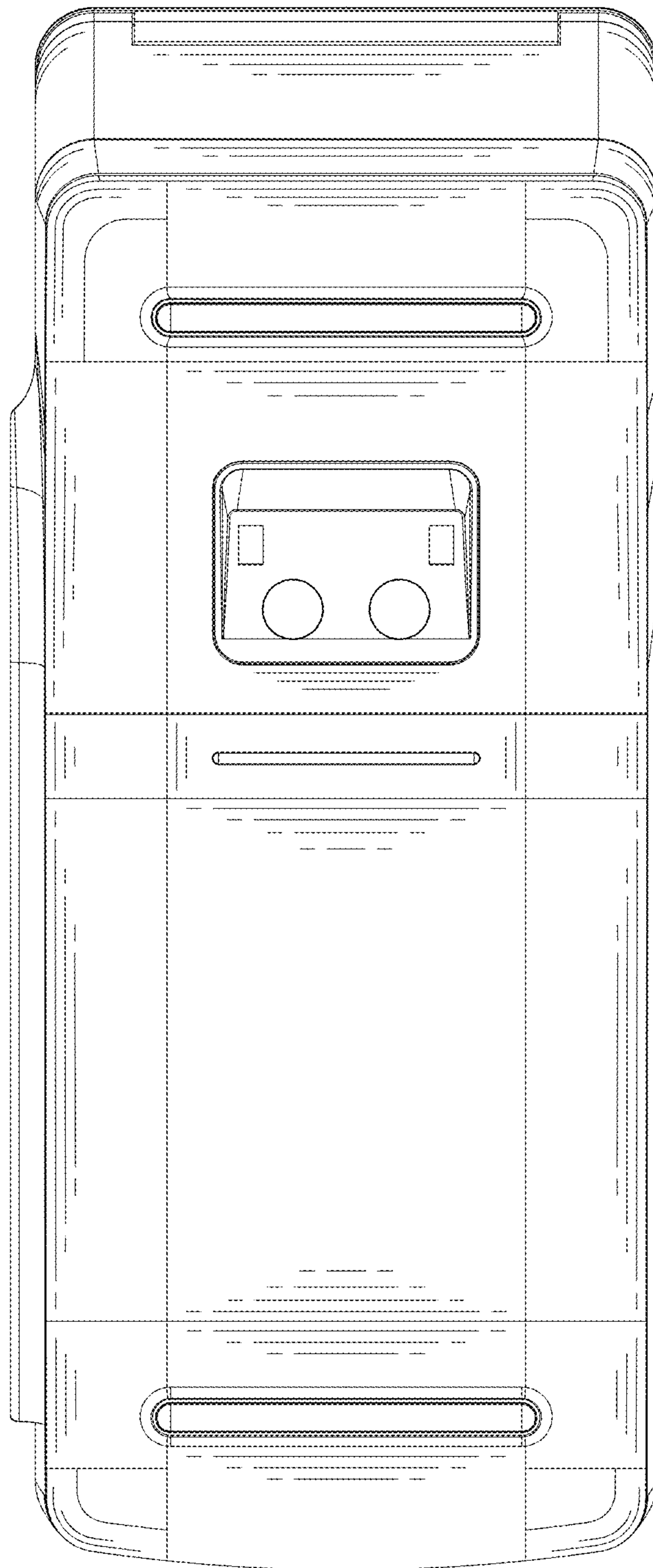


FIG. 3

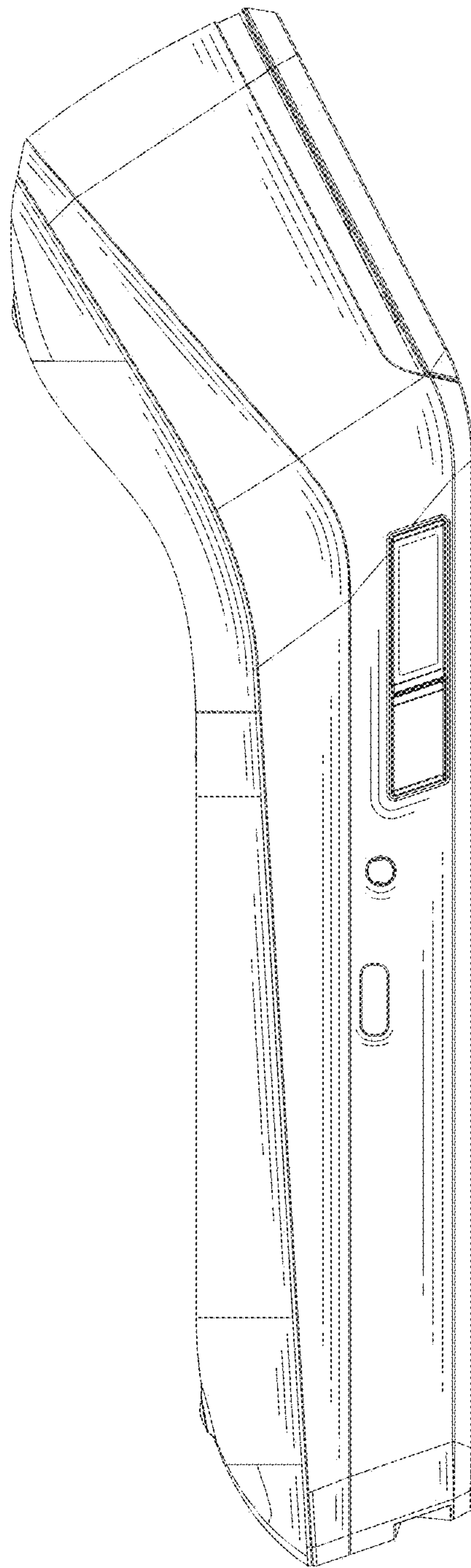


FIG. 4

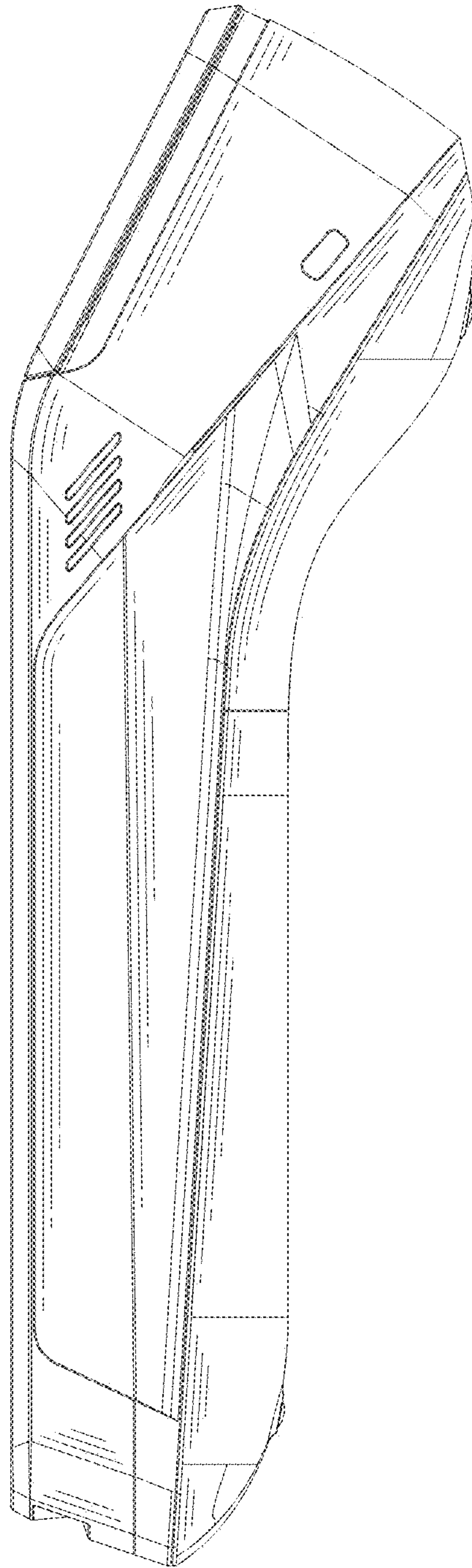


FIG. 5

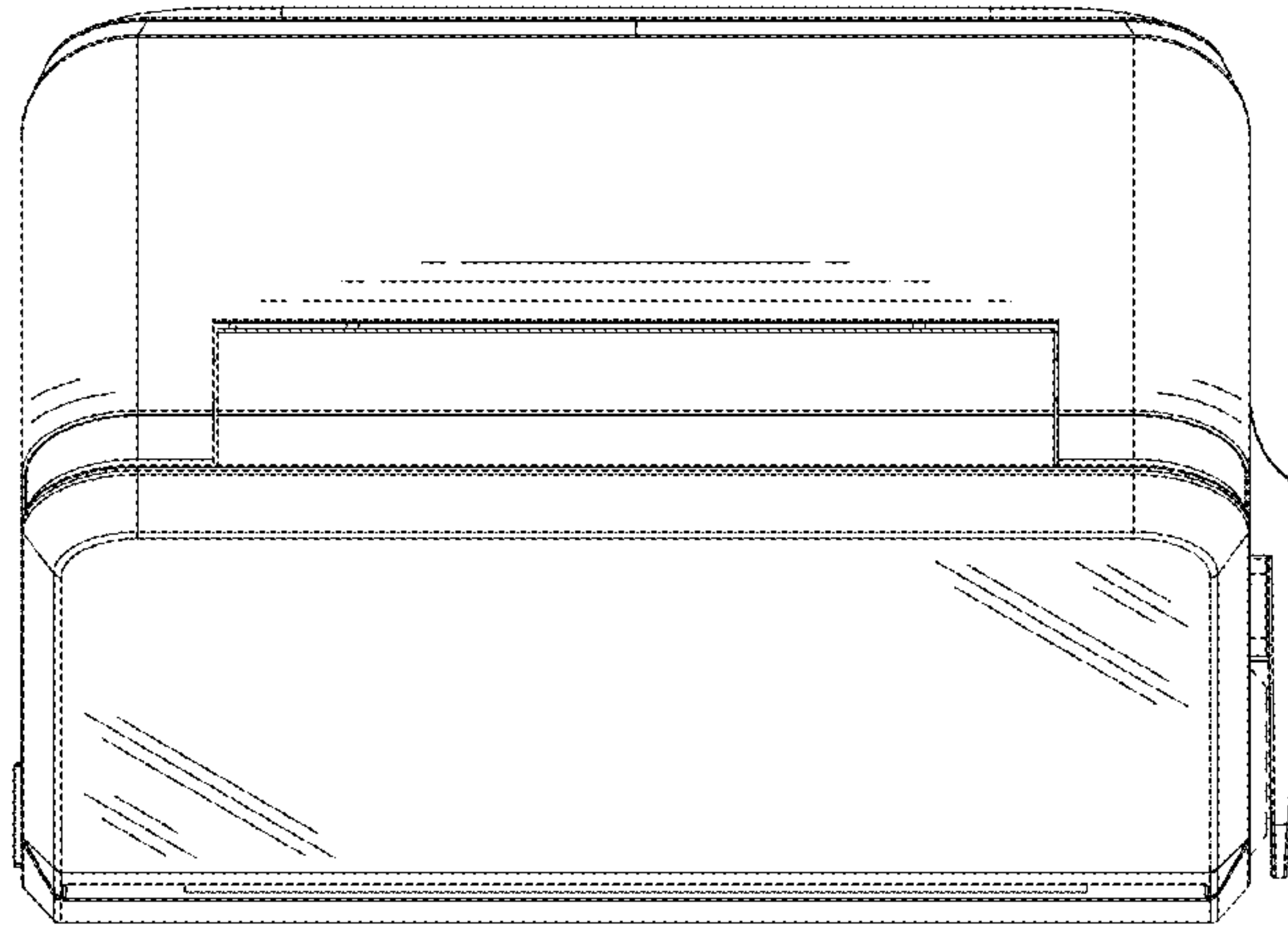


FIG. 6

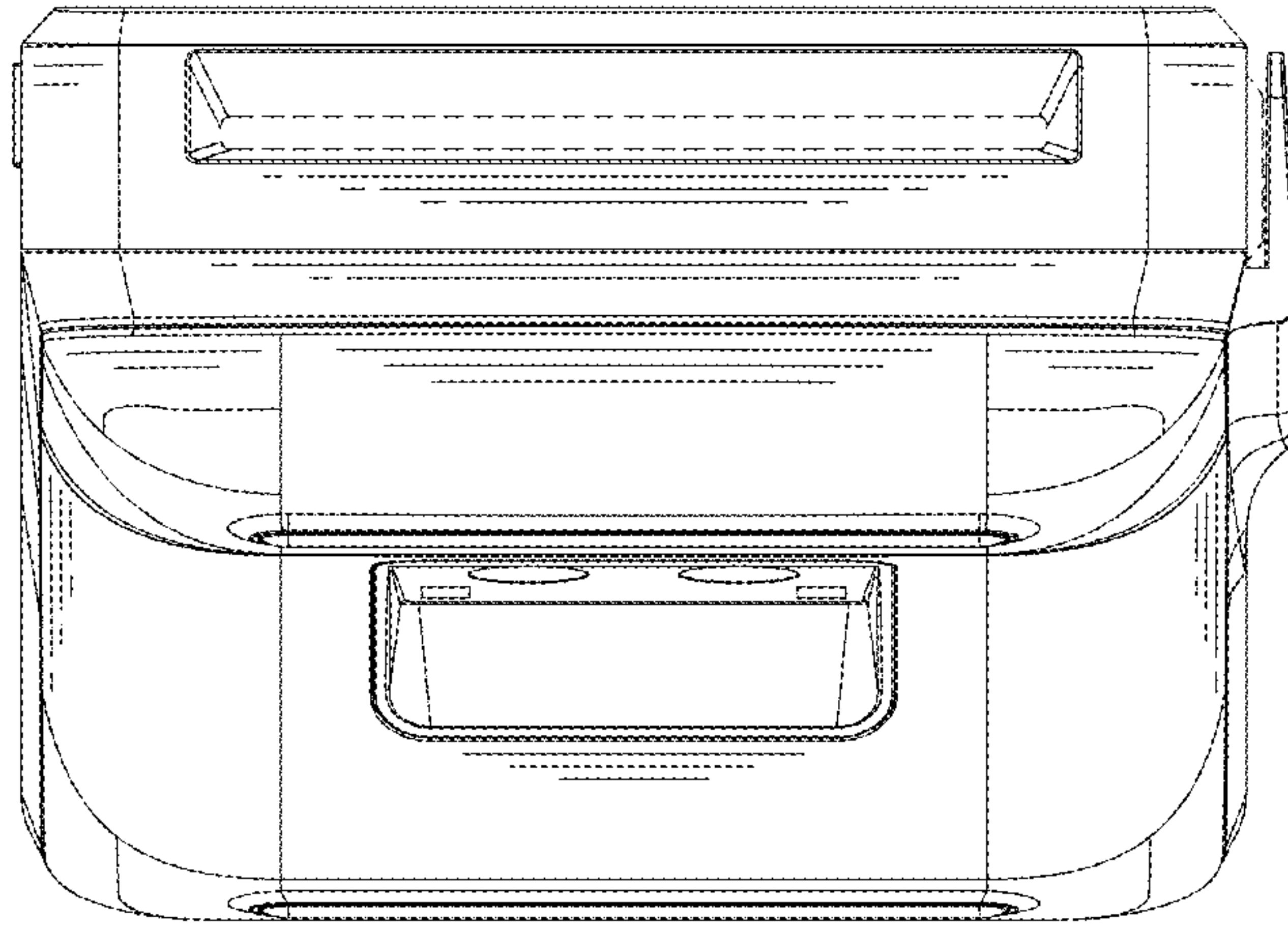


FIG. 7

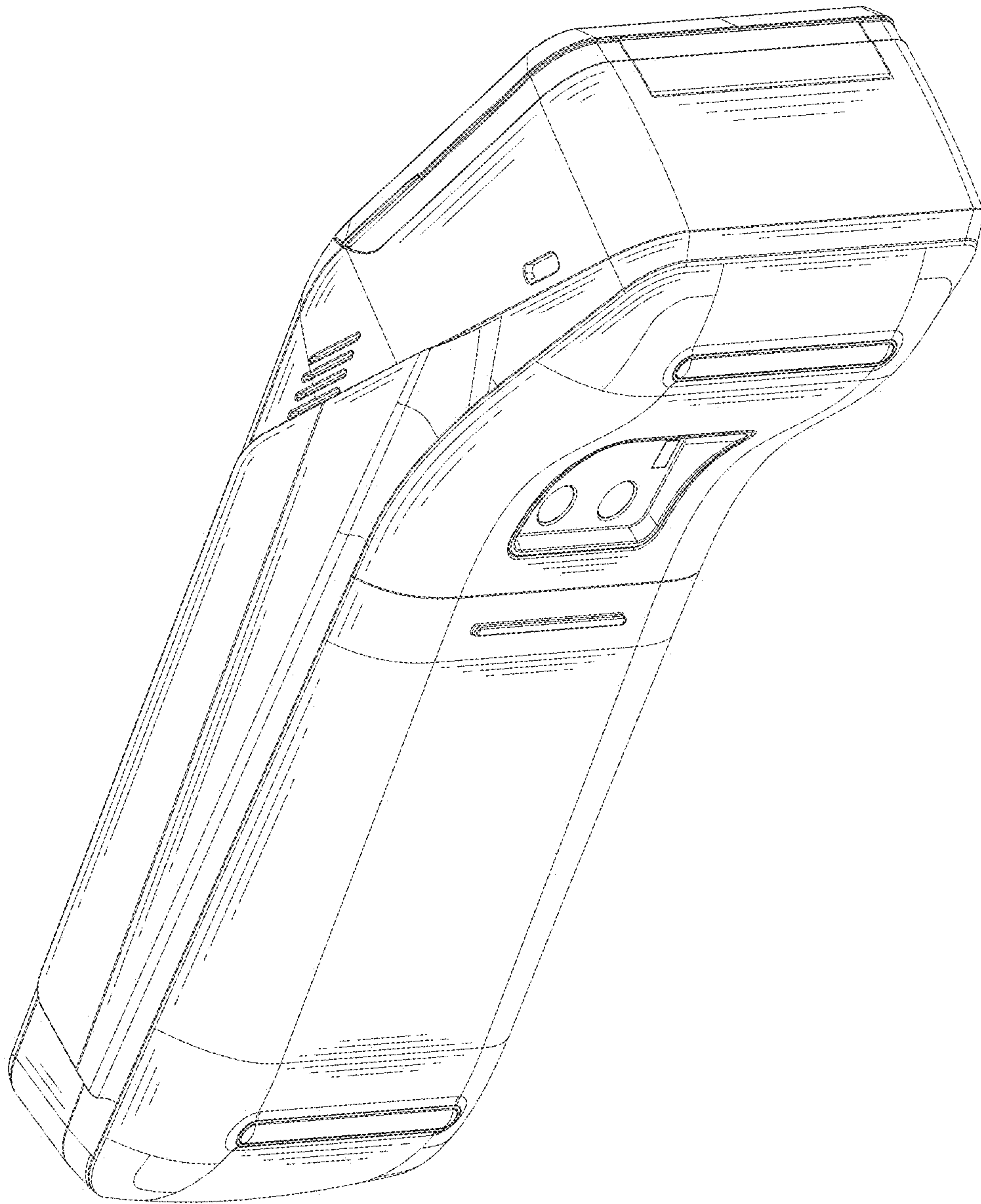


FIG. 8

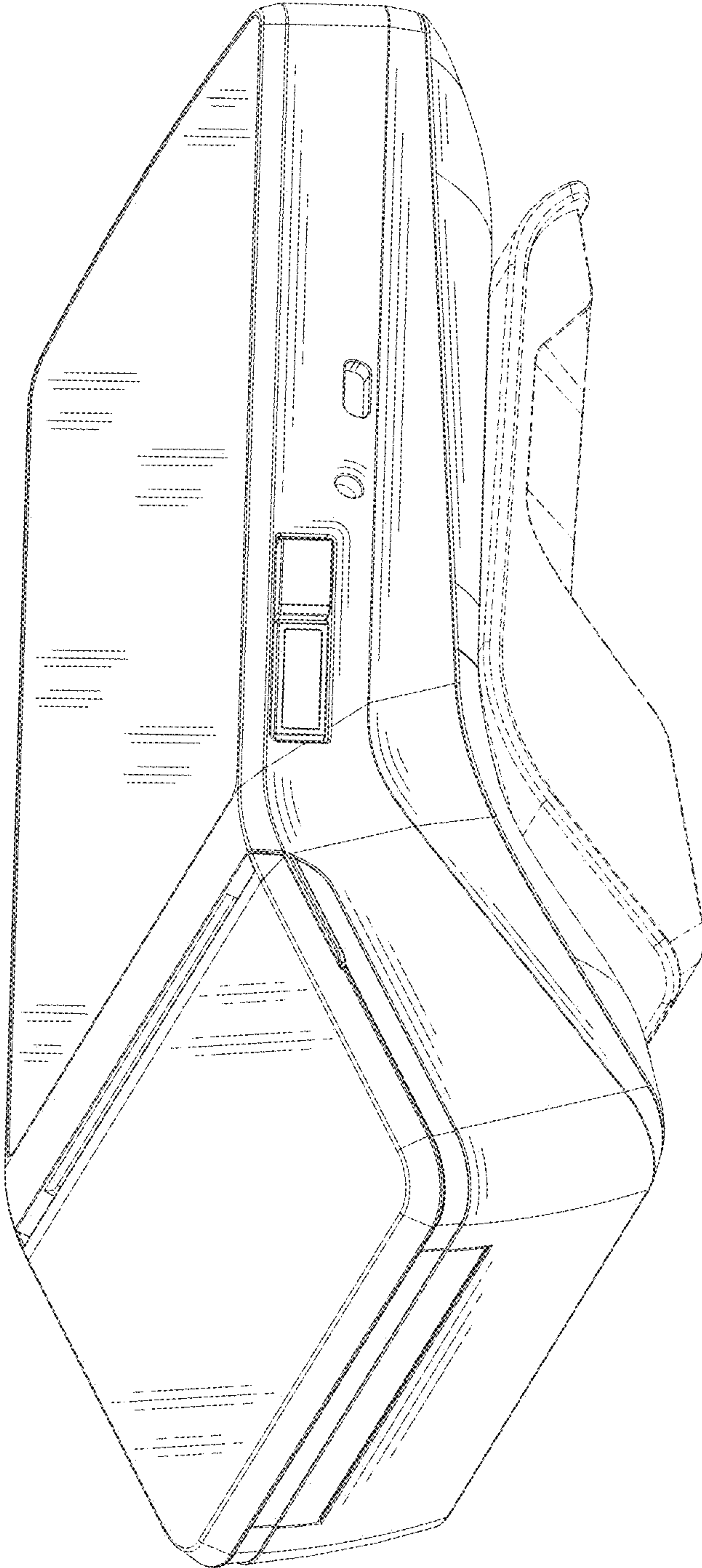


FIG. 9