



US00D880579S

(12) **United States Design Patent** (10) **Patent No.:** **US D880,579 S**
Dunnett (45) **Date of Patent:** **** Apr. 7, 2020**

(54) **DRUM LUG**

(71) Applicant: **Ronn Dunnett**, Delta (CA)

(72) Inventor: **Ronn Dunnett**, Delta (CA)

(**) Term: **15 Years**

(21) Appl. No.: **29/641,929**

(22) Filed: **Mar. 26, 2018**

(51) **LOC (12) Cl.** **17-04**

(52) **U.S. Cl.**
USPC **D17/22**

(58) **Field of Classification Search**
USPC D17/22, 23, 20, 99, 21; D10/103, 52, 60,
D10/80, 121; D7/387, 393-396, 406,
D7/213; D99/43, 28
CPC G10D 13/00; G10D 13/02; G10D 13/021;
G10D 13/023; G10D 13/024
See application file for complete search history.

(56) **References Cited**

U.S. PATENT DOCUMENTS

D102,649 S * 1/1937 Grayson D7/406
3,626,801 A * 12/1971 Moore G10D 13/023
84/411 R
D270,167 S * 8/1983 Hoey D17/22
D279,906 S * 7/1985 Ireland D17/22
D296,905 S * 7/1988 Donnelly D17/22
D311,203 S * 10/1990 Yanagisawa D17/22
D353,612 S * 12/1994 Yanagisawa D17/22
D380,038 S * 6/1997 Bailey D23/266
D720,390 S * 12/2014 Hudson D17/22
D733,600 S * 7/2015 Vasudeva D10/103
D758,479 S * 6/2016 Hudson D17/22
D780,612 S * 3/2017 Alexander D10/102
2007/0283797 A1 * 12/2007 Crawford G10D 13/02
84/411 R
2018/0261194 A1 * 9/2018 Opett G10D 13/023

FOREIGN PATENT DOCUMENTS

CN 200630023629 * 6/2006
CN 200830274408 * 12/2008
CN 201130347539 * 9/2011

OTHER PUBLICATIONS

Youtube, George Way 8x12 Vintage Rack Tom Drum, posted Apr. 3, 2013, [online], [visited Jul. 9, 2019]. Internet, URL: <https://www.youtube.com/watch?v=08Tf-CVC4Ac> (Year: 2013).
Youtube, Vintage Camco 701 Super Snare Drum—5x14, [online], [visited Jul. 9, 2019]. Internet, URL: <https://www.youtube.com/watch?v=v11Mlf5Jw5g> (Year: 2015).
Amazon, DW Performance Series Snare Drum, posted Nov. 11, 2011, [online], [visited Jul. 9, 2019]. Internet, URL: <https://www.amazon.com/DW-Performance-Snare-Drum-Lacquer/dp/B0064RRKZG> (Year: 2011).
George H. Way Drum Company Archives, Drawing of “Tension Case Base Drum,” 2011, 1 page.

* cited by examiner

Primary Examiner — Sheryl Lane
Assistant Examiner — Samantha N Wood
(74) *Attorney, Agent, or Firm* — Schacht Law Office, Inc.; Dwayne Rogge

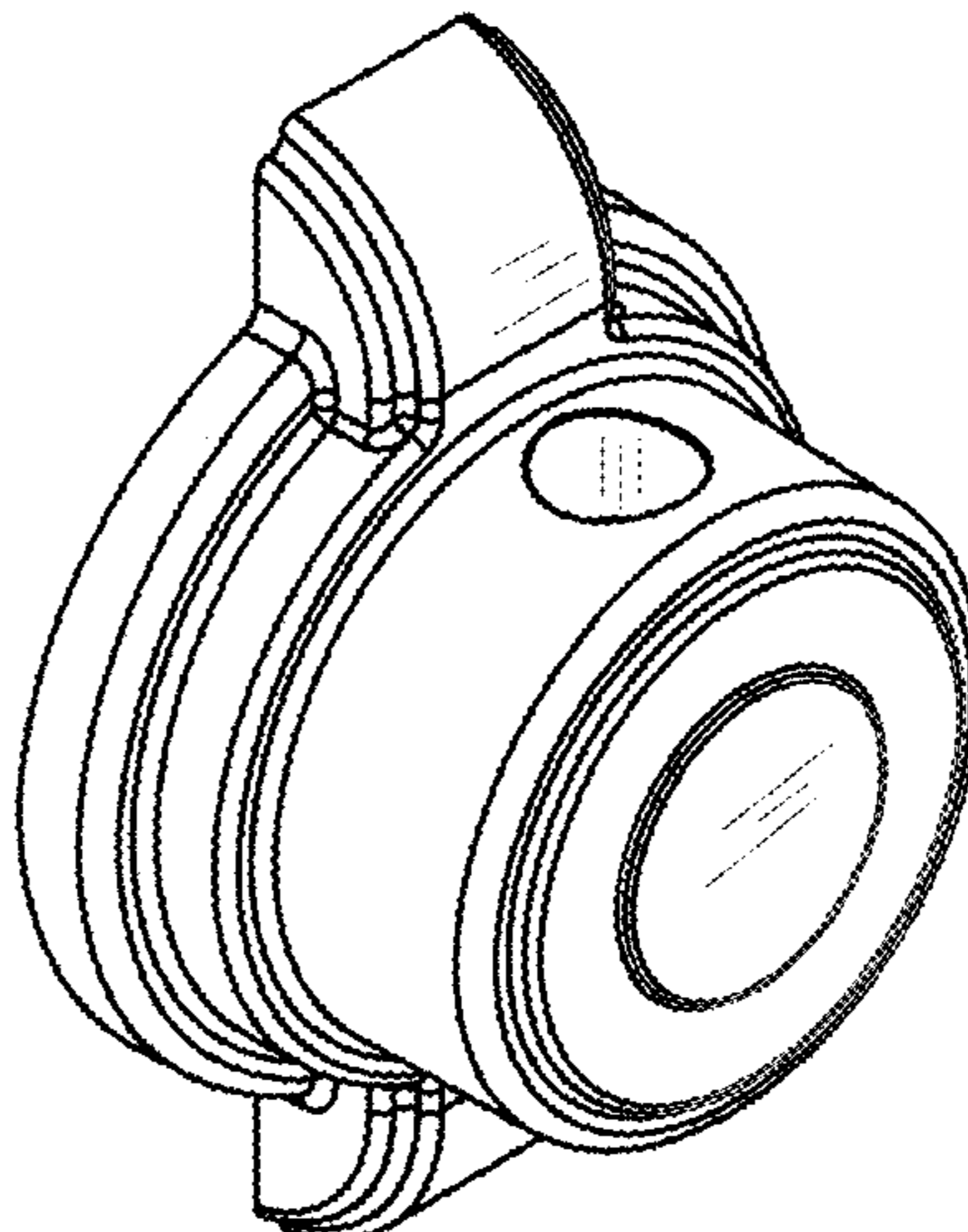
(57) **CLAIM**

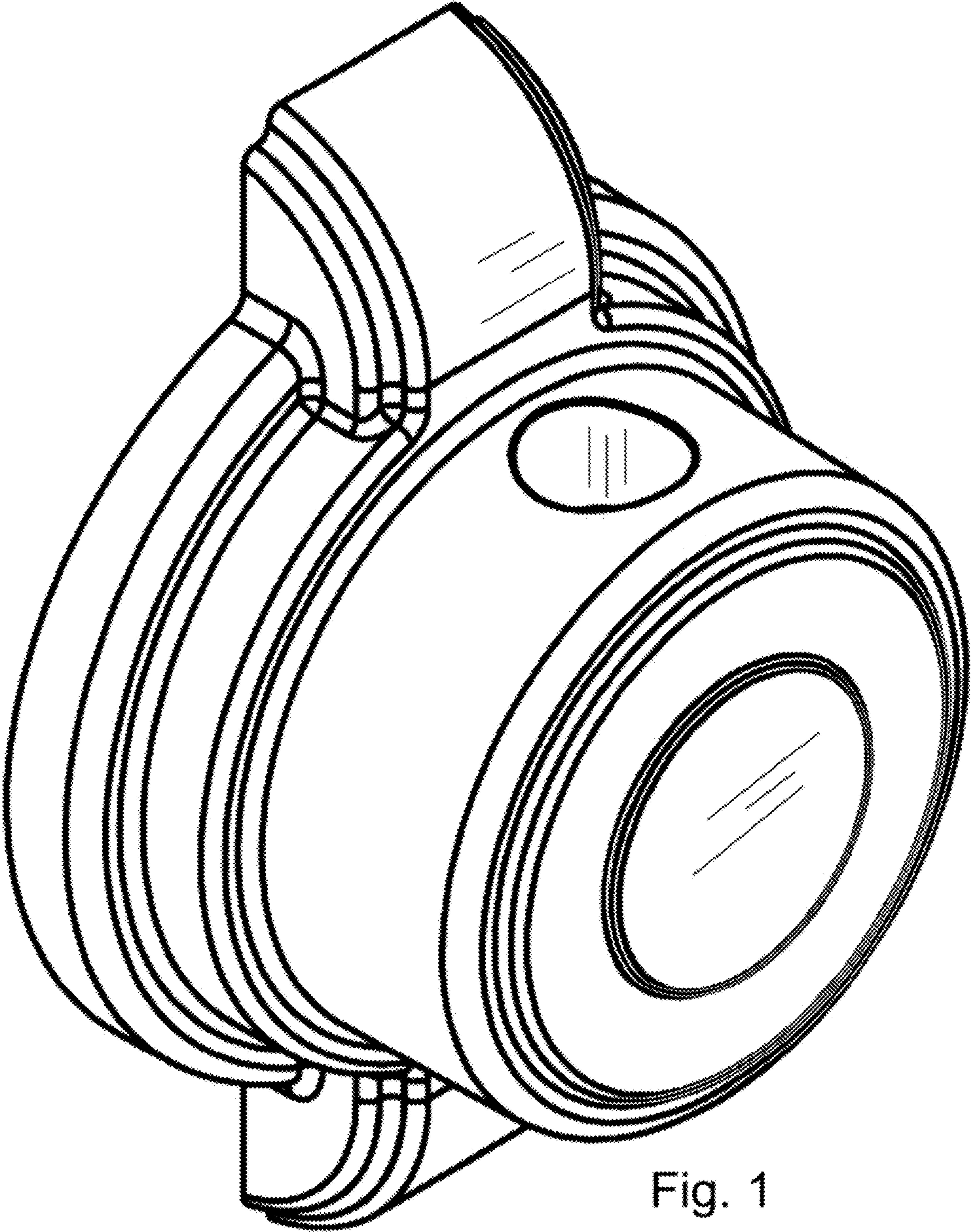
The ornamental design for a drum lug, as shown and described.

DESCRIPTION

FIG. 1 is a top perspective view of the drum lug embodying the new design.
FIG. 2 is a top view thereof.
FIG. 3 is a left side view thereof with the opposing side view being a mirror image thereof.
FIG. 4 is a front view thereof.
FIG. 5 is a bottom view thereof; and,
FIG. 6 is a rear view thereof.
Broken lines showing portions of the drum lug are included for the purpose of depicting the environmental structure and form no part of the claimed design.

1 Claim, 5 Drawing Sheets





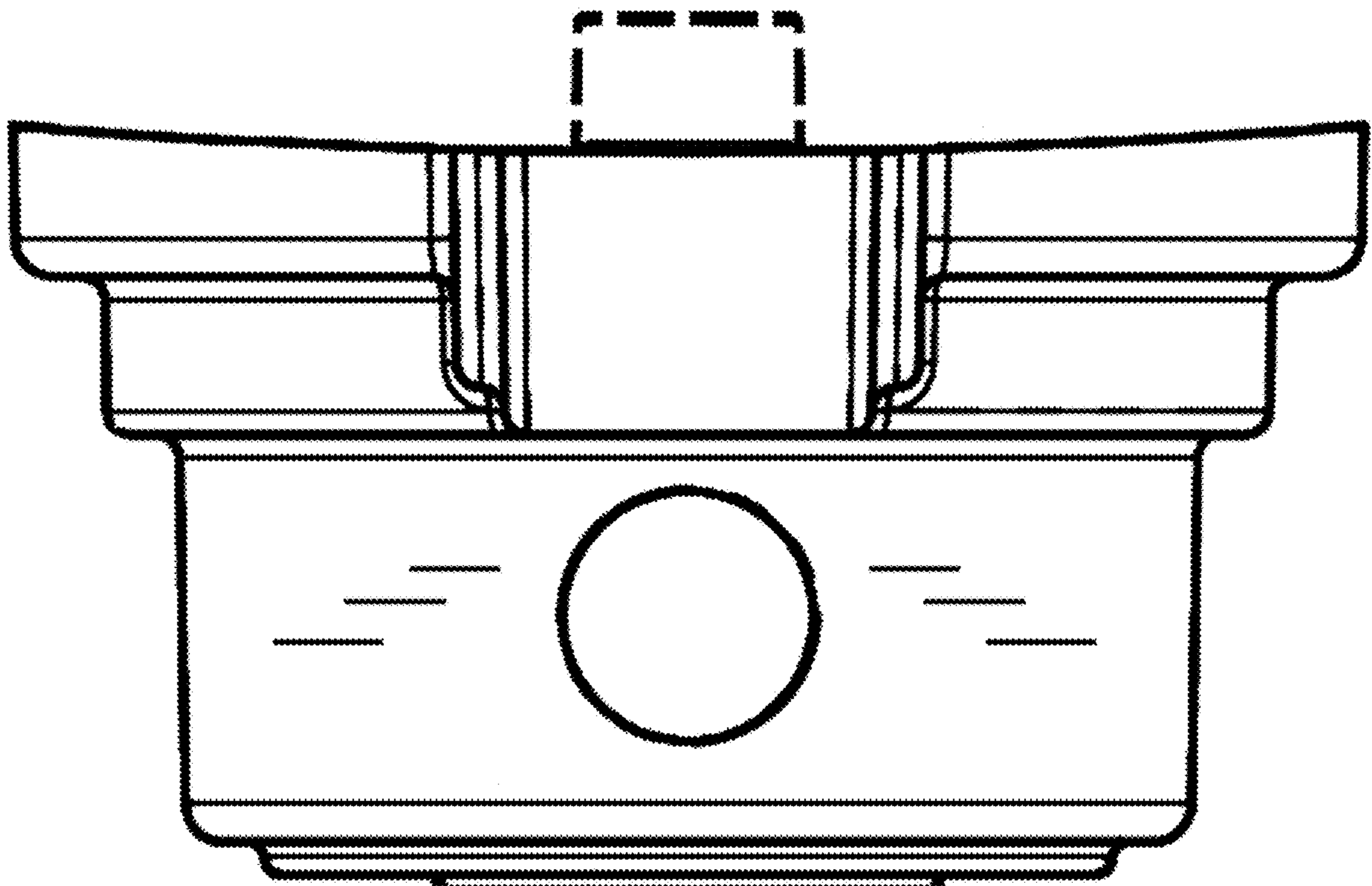


Fig. 2

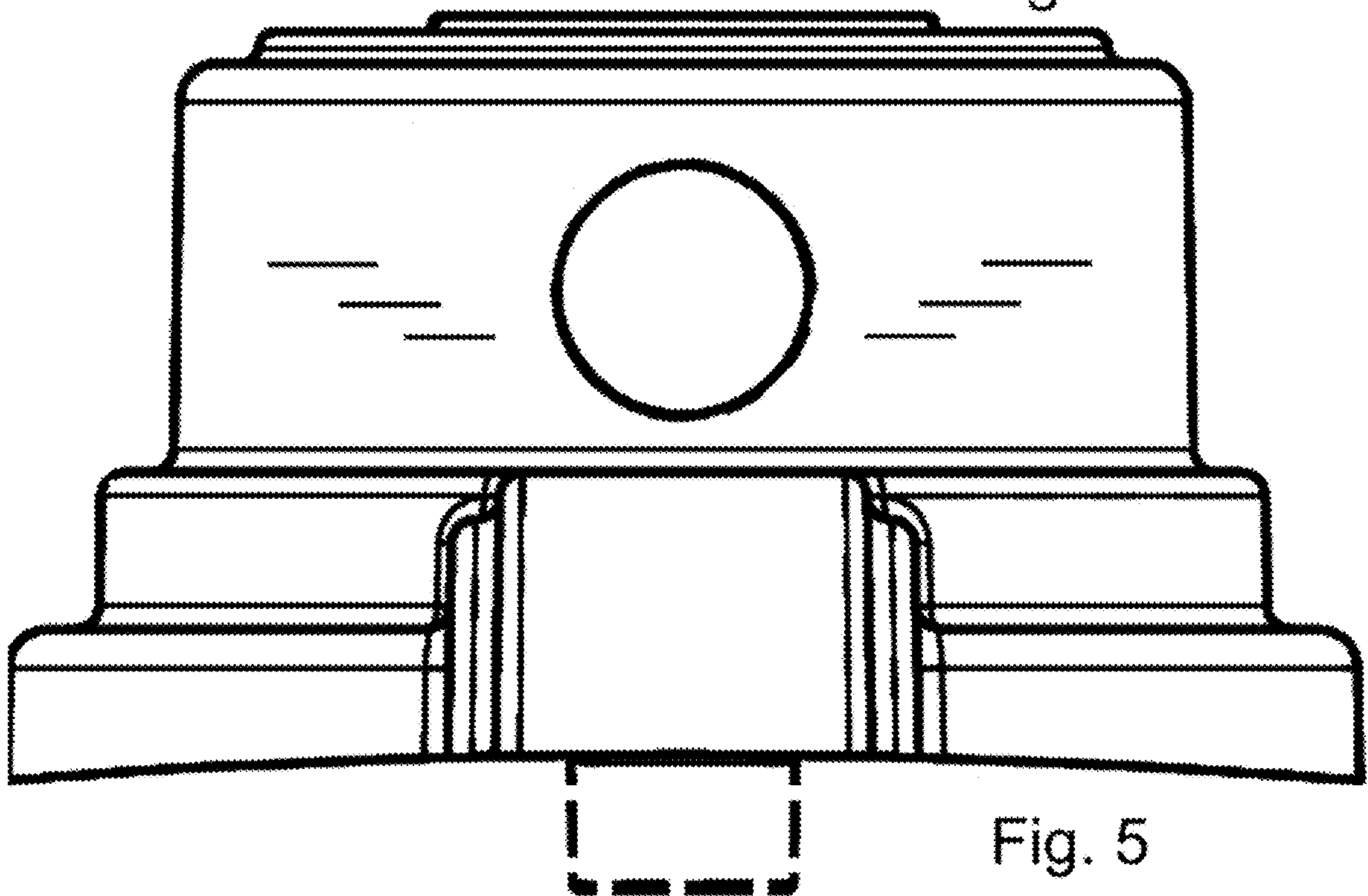


Fig. 5

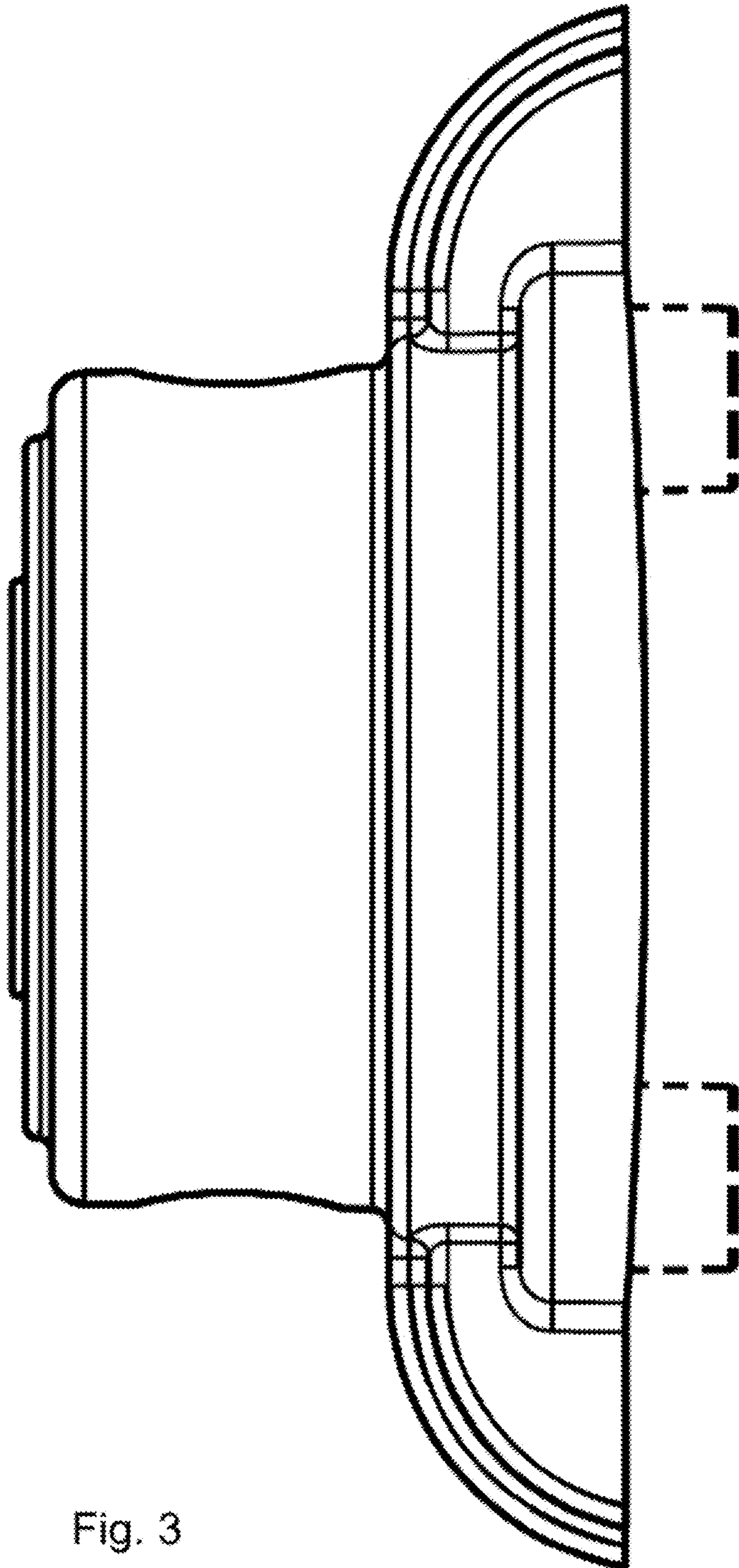


Fig. 3

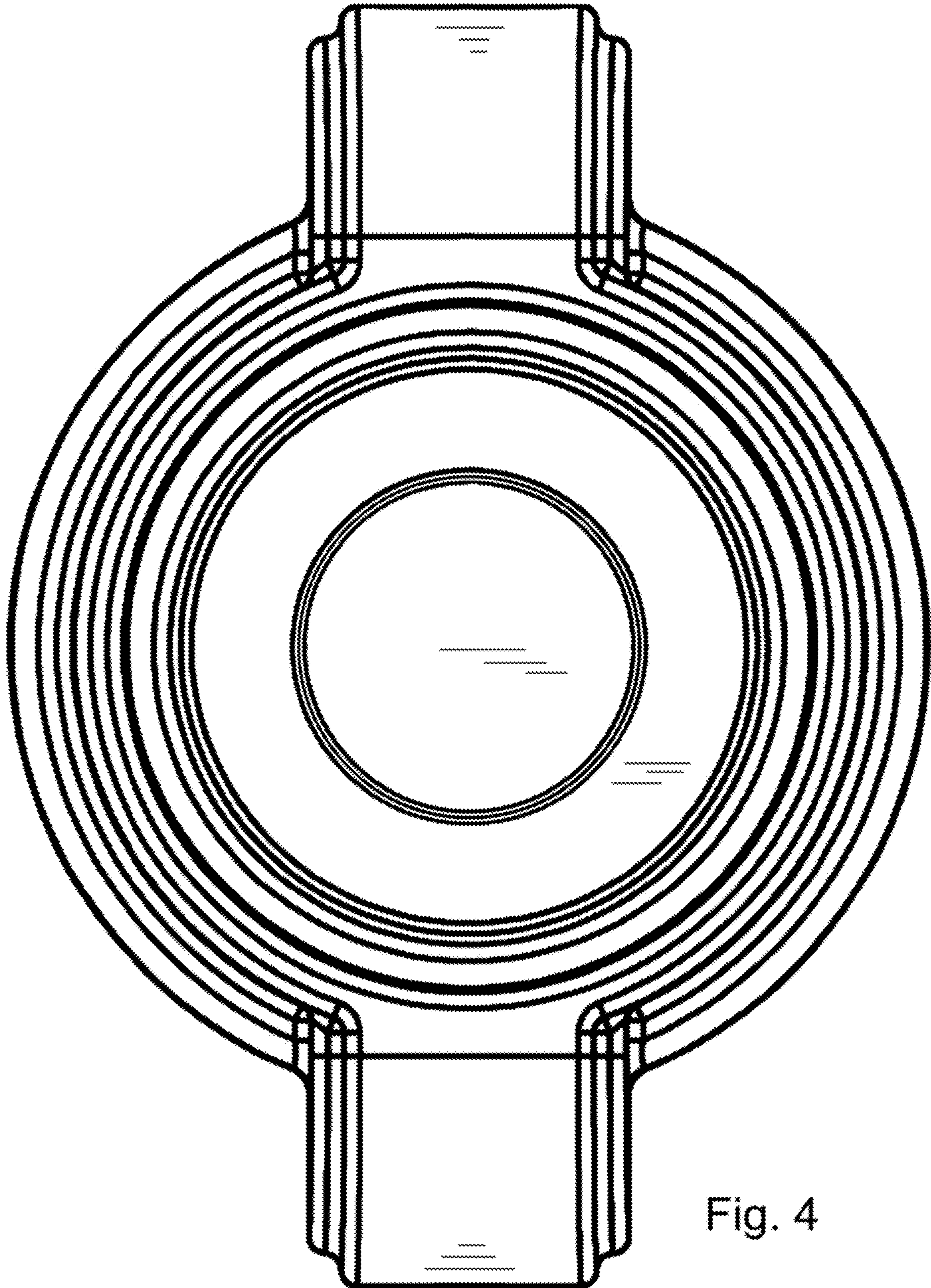


Fig. 4

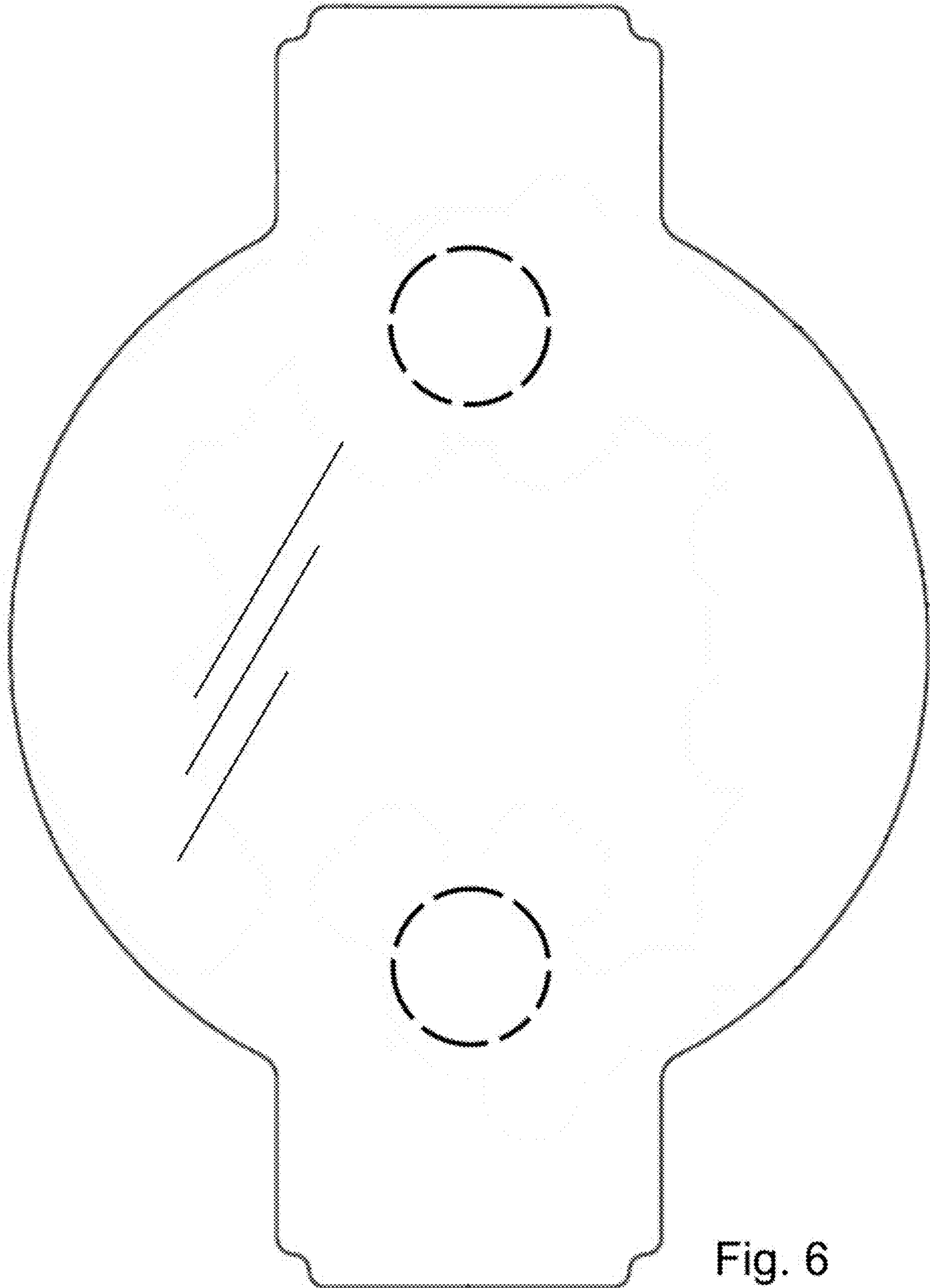


Fig. 6