



US00D880578S

(12) **United States Design Patent** (10) **Patent No.:** **US D880,578 S**
Palmer (45) **Date of Patent:** **** Apr. 7, 2020**

(54) **STABILIZER FOR SUPPORTING A FOOT-SUSTAIN PEDAL**

(71) Applicant: **Fred Palmer**, Detroit, MI (US)

(72) Inventor: **Fred Palmer**, Detroit, MI (US)

(**) Term: **15 Years**

(21) Appl. No.: **29/637,287**

(22) Filed: **Feb. 15, 2018**

(51) **LOC (12) Cl.** **17-03**

(52) **U.S. Cl.**
USPC **D17/9**; D17/20

(58) **Field of Classification Search**
USPC D13/167; D15/72; D17/9, 20, 99
CPC . G10C 3/26; G05G 1/48; G05G 1/483; G05G 1/487

See application file for complete search history.

(56) **References Cited**

U.S. PATENT DOCUMENTS

6,581,493	B1 *	6/2003	Gillane	G05G 1/487 403/24
D792,503	S *	7/2017	Helweg	D17/20
10,147,403	B1 *	12/2018	Perry, Jr.	G10B 3/14
D848,380	S *	5/2019	Yasutomi	D13/167
2008/0098873	A1 *	5/2008	Kitagawa	G10H 1/348 84/422.1
2016/0012806	A1 *	1/2016	Mori	G10D 13/006 84/746
2019/0259357	A1 *	8/2019	Palmer	G10C 3/26

OTHER PUBLICATIONS

XSPRO P-80 Keyboard Piano Sustain Damper Pedal ; before Feb. 15, 2018; 1 pg; <https://www.google.com/search?hl=en&tbm=isch>

&sxsrf=ACYBGNRaPE2JTqr070JsLwzKarlikd9iVg%3A1580833244587&source=hp&biw=1536&bih=813&ei=3Jk5XvnUIOquytMP47Ob6A8&q=keyboard+sustain+pedal+before%3A2018-02-15&oq=keyboard&gs_l=img.1.0.35i39l2j.*
Roland DP10 Piano style sustain pedal; before Feb. 15, 2018; 1 pg.; https://www.google.com/search?q=+sustain+pedal+before%3A2018-02-15&tbm=isch&ved=2ahUKEwiOpdriptjnAhXDHt8KHakdBDIQ2-cCegQIABAA&oq=+sustain+pedal+before%3A2018-02-15&gs_l=img.12...3471309.3471309..3473250...0.0..0.62.62.1.....0....1.gws-wiz-img.*

* cited by examiner

Primary Examiner — Selina Sikder

(74) *Attorney, Agent, or Firm* — Gerald R. Black

(57) **CLAIM**

The ornamental design for a stabilizer for supporting a foot-sustain pedal, as shown and described.

DESCRIPTION

FIG. 1 is a perspective view of the stabilizer for supporting a foot-sustain pedal showing my new design wherein the broken lines are shown for illustrative purposes only and form no part of the claimed design.

FIG. 2 is an isometric view of the floor-mounted stabilizer.

FIG. 3 is a bottom view of the floor-mounted stabilizer.

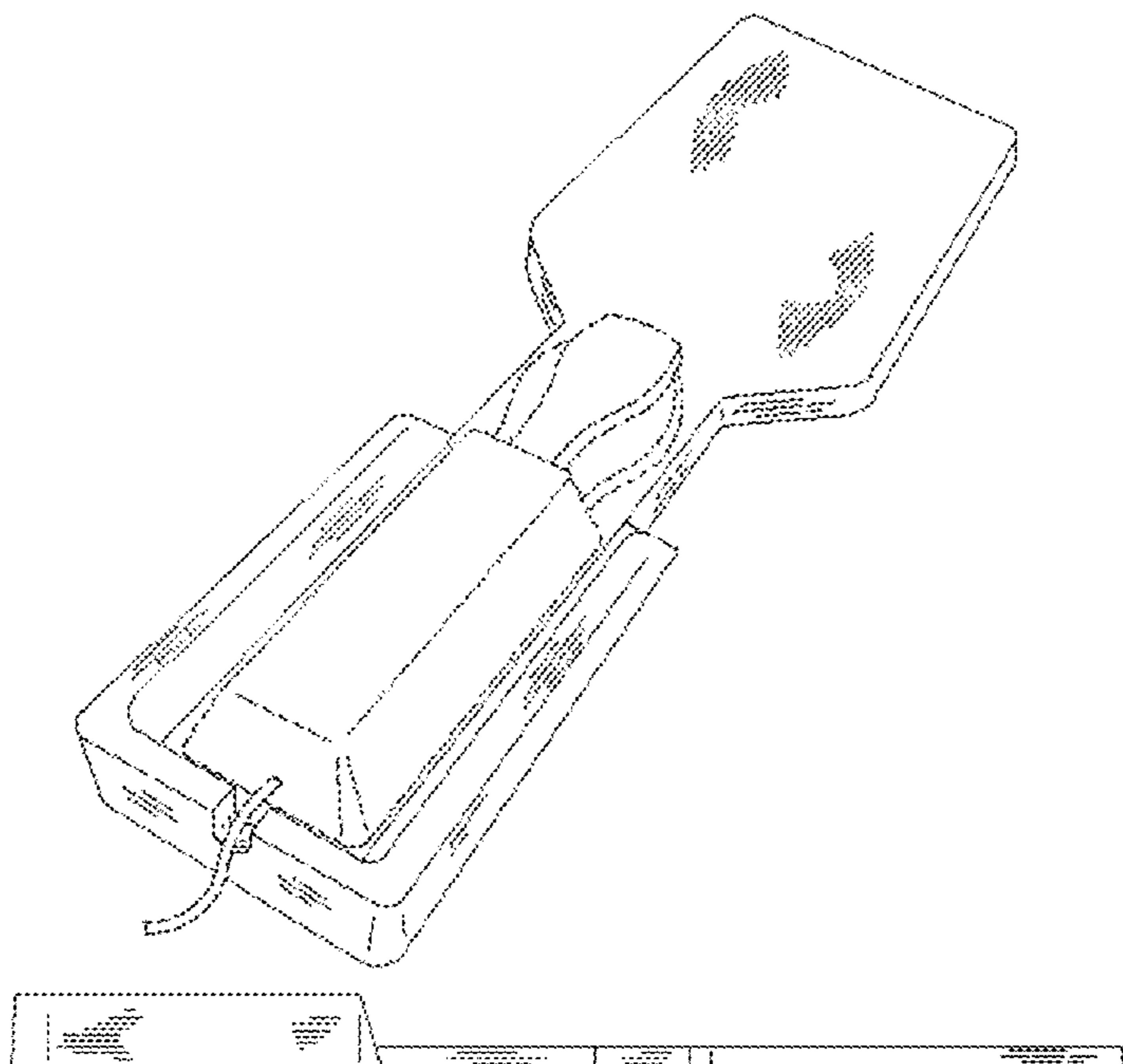
FIG. 4 is a top view of the floor-mounted stabilizer.

FIG. 5 is a front side view of the floor-mounted stabilizer.

FIG. 6 is a left end view of the floor-mounted stabilizer; and,

FIG. 7 is a right end view of the floor-mounted stabilizer.

1 Claim, 4 Drawing Sheets



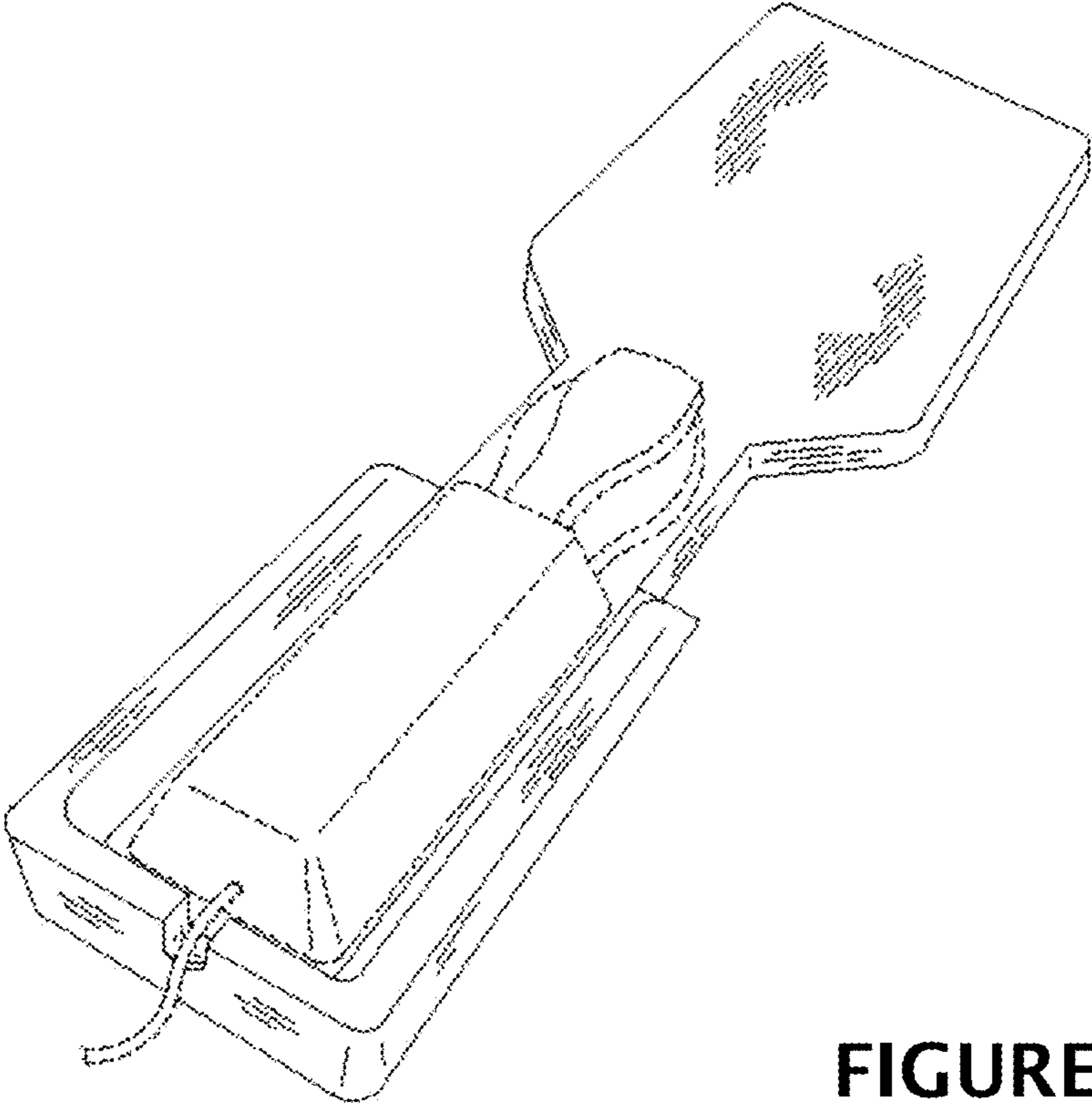


FIGURE 1

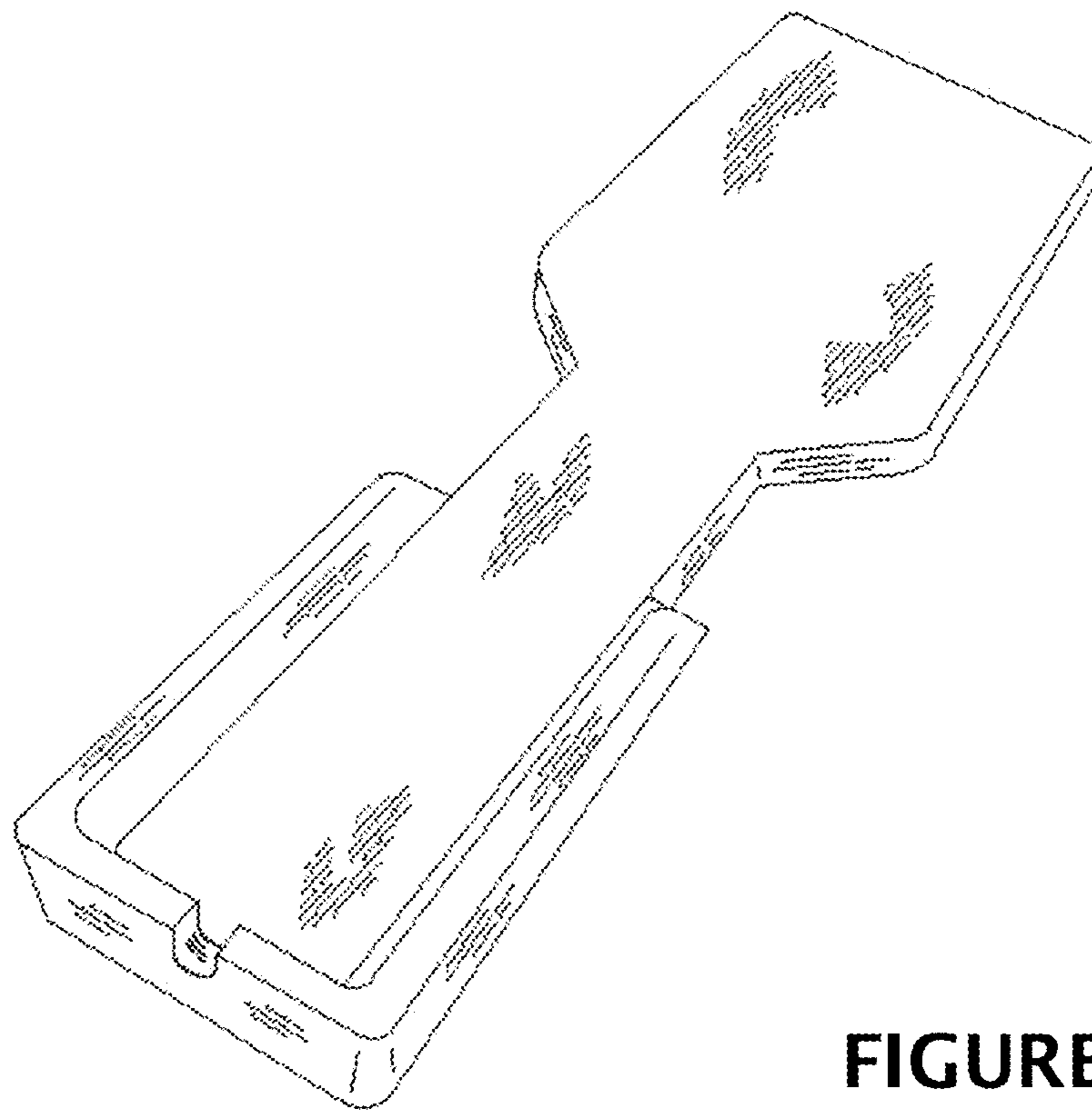


FIGURE 2

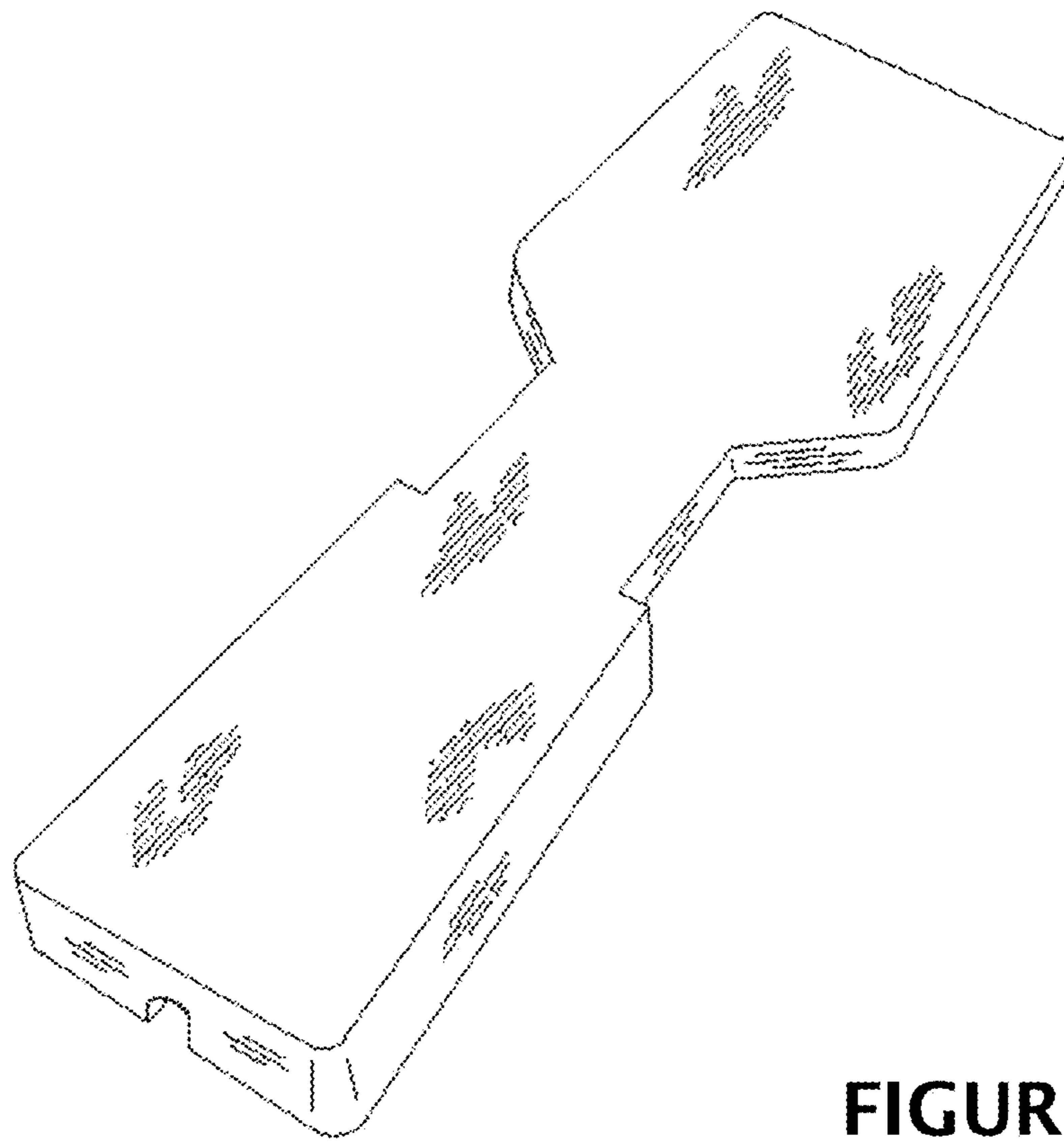


FIGURE 3

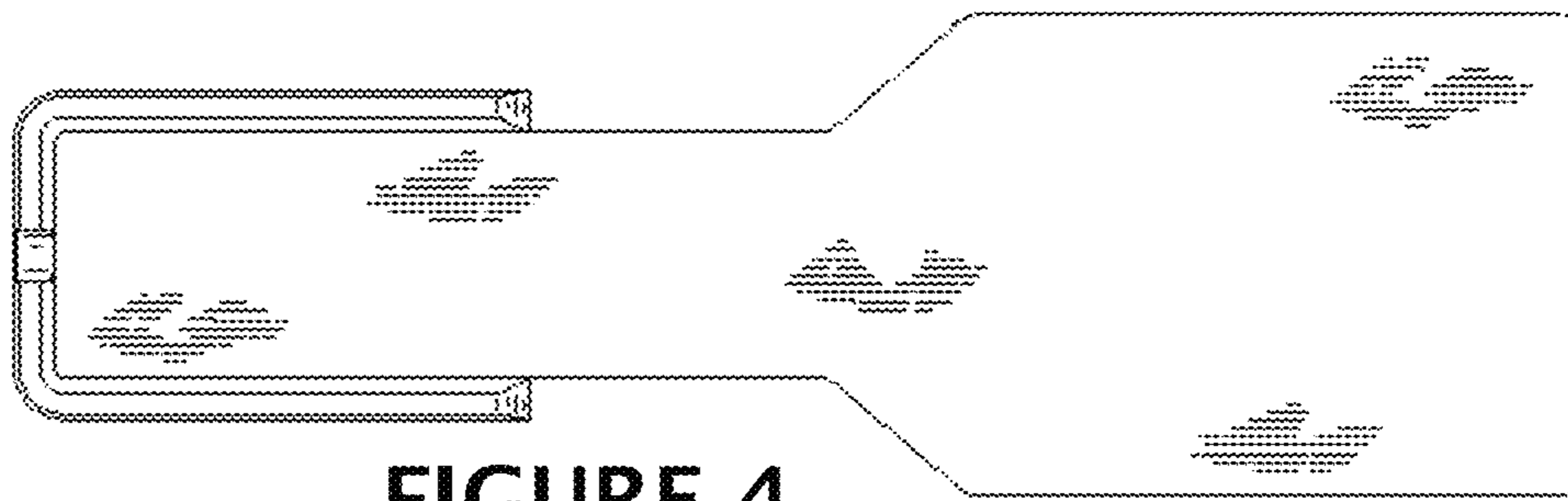


FIGURE 4

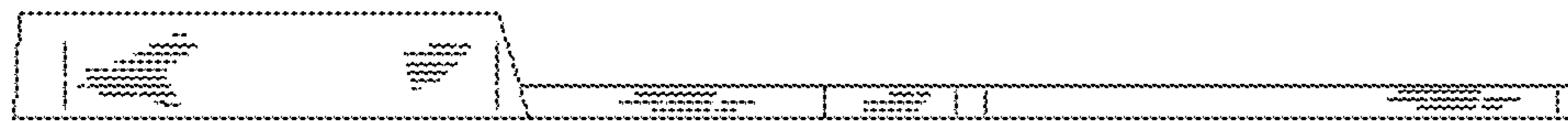


FIGURE 5



FIGURE 6

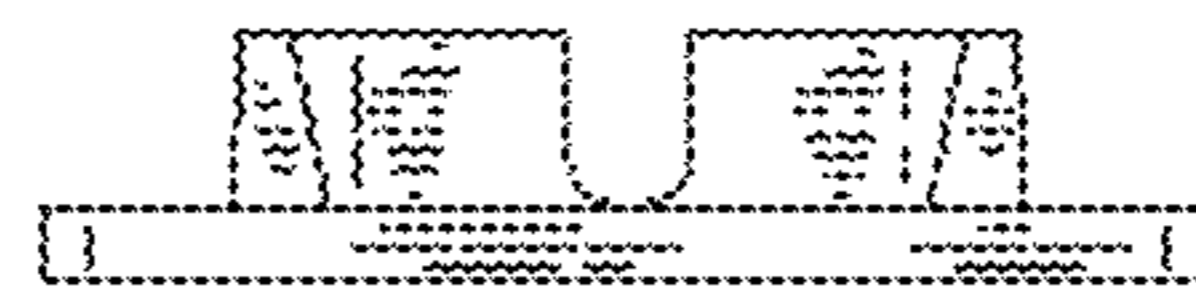


FIGURE 7